



US00D908097S

(12) **United States Design Patent**
Jung et al.

(10) **Patent No.: US D908,097 S**
(45) **Date of Patent: ** Jan. 19, 2021**

(54) **SIGNAL TRANSMISSION CONNECTOR**

CPC H01M 2/105; G05B 19/414; F16P 3/20;
H01R 13/622

(71) Applicant: **GigaLane Co., Ltd.**, Gyeonggi-do (KR)

See application file for complete search history.

(72) Inventors: **Kyung Hun Jung**, Hwaseong-si (KR);
Hwa Yoon Song, Hwaseong-si (KR);
Hee Seok Jung, Hwaseong-si (KR); **Jin Uk Lee**, Hwaseong-si (KR); **Chang Hyun Yang**, Hwaseong-si (KR); **Sun Hwa Cha**, Hwaseong-si (KR); **Eun Jung Kim**, Hwaseong-si (KR)

(56) **References Cited**

U.S. PATENT DOCUMENTS

- 5,367,158 A * 11/1994 Herman F16P 3/20
250/221
- 5,493,194 A * 2/1996 Damiano G05B 19/414
307/71
- 5,635,814 A * 6/1997 Afzal H01M 2/105
320/111
- D433,664 S * 11/2000 Arai D13/146
- D593,947 S * 6/2009 Wang D13/133
- D721,333 S * 1/2015 Leis H01R 4/18
D13/118
- D724,936 S * 3/2015 Coronado D8/397
- 9,147,967 B2 * 9/2015 Johnson H01R 4/36
- 9,209,566 B2 * 12/2015 Lee H01R 13/622
- D753,060 S * 4/2016 Miller D13/110
- D780,123 S * 2/2017 Zetterqvist D13/146
- D790,044 S * 6/2017 Li D23/262

(Continued)

(73) Assignee: **GIGALANE CO., LTD.**, Gyeonggi-do (KR)

(**) Term: **15 Years**

(21) Appl. No.: **35/506,468**

(22) Filed: **Sep. 19, 2018**

(80) **Hague Agreement Data**

Int. Filing Date: **Sep. 19, 2018**
Int. Reg. No.: **DM/200245**
Int. Reg. Date: **Sep. 19, 2018**
Int. Reg. Pub. Date: **Mar. 22, 2019**

Primary Examiner — Rhea Shields

(74) *Attorney, Agent, or Firm* — Syncoda LLC; Feng Ma

(30) **Foreign Application Priority Data**

- Mar. 27, 2018 (KR) 30-2018-0014367
- Mar. 27, 2018 (KR) 30-2018-0014368
- Mar. 27, 2018 (KR) 30-2018-0014369
- Mar. 27, 2018 (KR) 30-2018-0014370
- Mar. 27, 2018 (KR) 30-2018-0014371

(51) **LOC (13) Cl.** **13-03**

(52) **U.S. Cl.**
USPC **D13/151**

(58) **Field of Classification Search**
USPC D13/151, 124, 155, 161, 120, 147, 173,
D13/133, 136, 101, 122, 149, 153, 118,
D13/146, 110; D21/487; D8/397

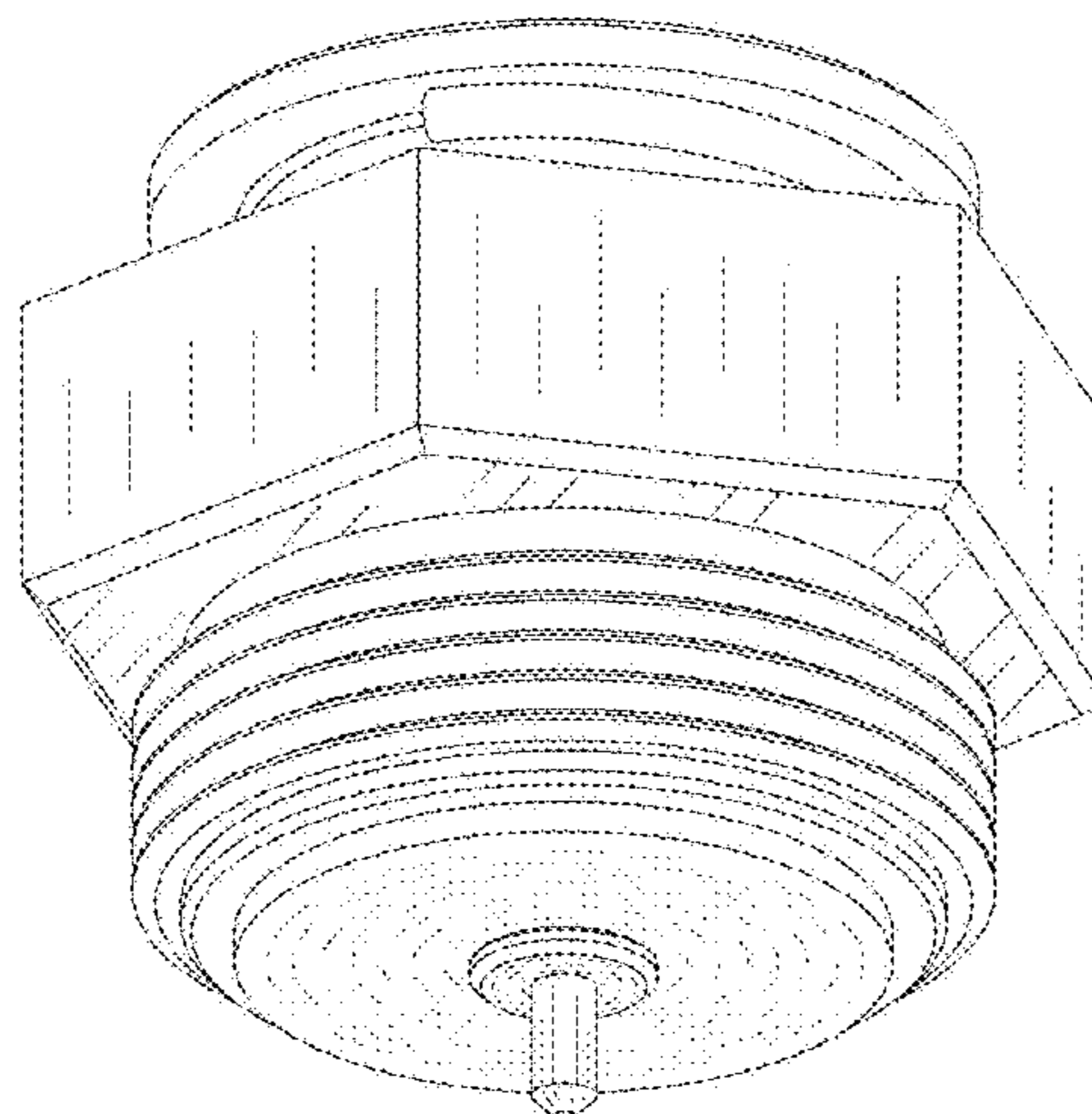
(57) **CLAIM**

The ornamental design for a signal transmission connector, as shown and described.

DESCRIPTION

- 1.1** is a top perspective view of a signal transmission connector;
- 1.2** is a front view thereof;
- 1.3** is a rear view thereof;
- 1.4** is a left view thereof;
- 1.5** is a right view thereof;
- 1.6** is a top view thereof;
- 1.7** is a bottom view thereof; and
- 1.8** is a bottom perspective view thereof.

(Continued)



The portions of the signal transmission connector shown in broken lines form no part of the claimed design.

1 Claim, 8 Drawing Sheets

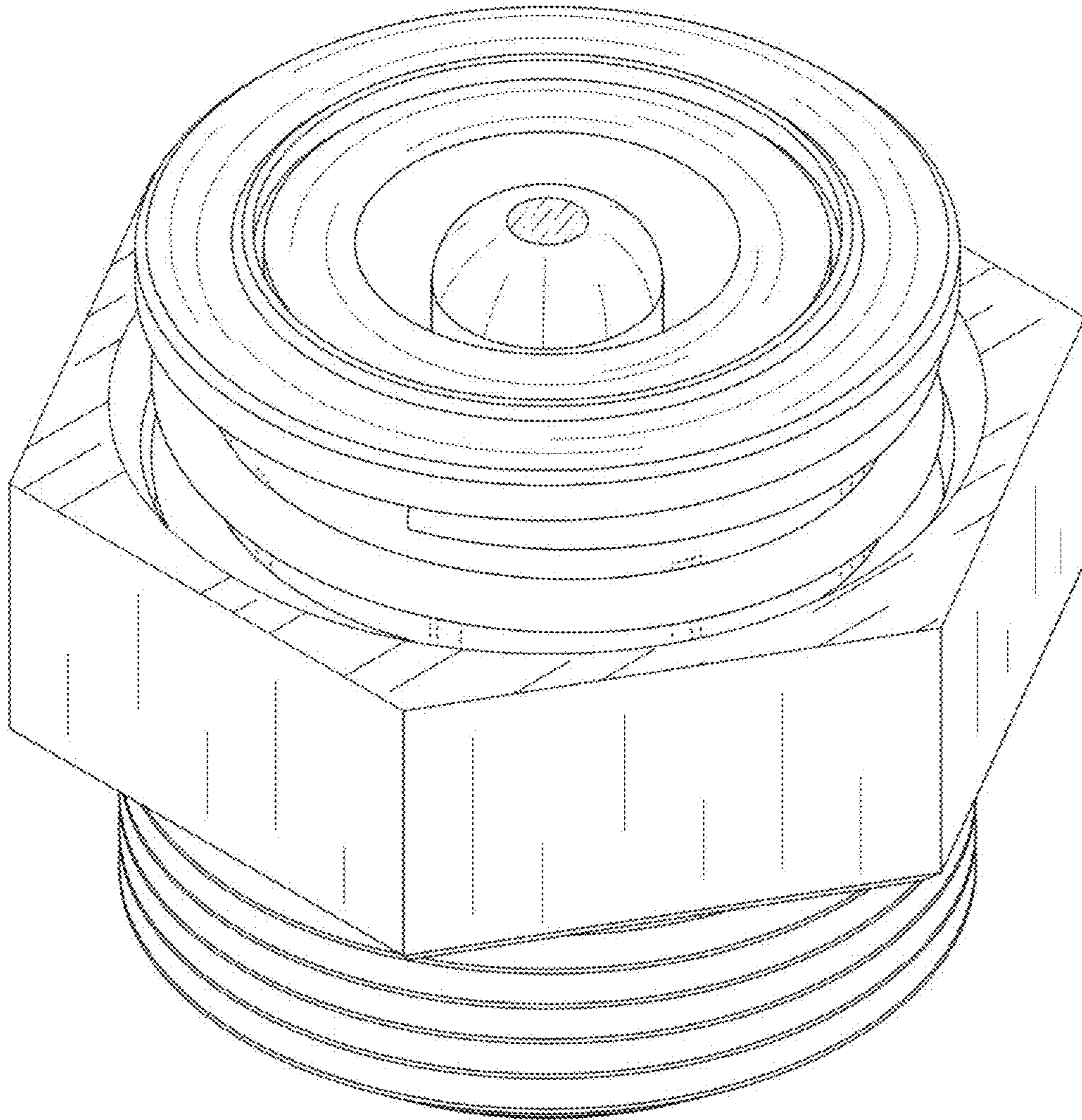
(56)

References Cited

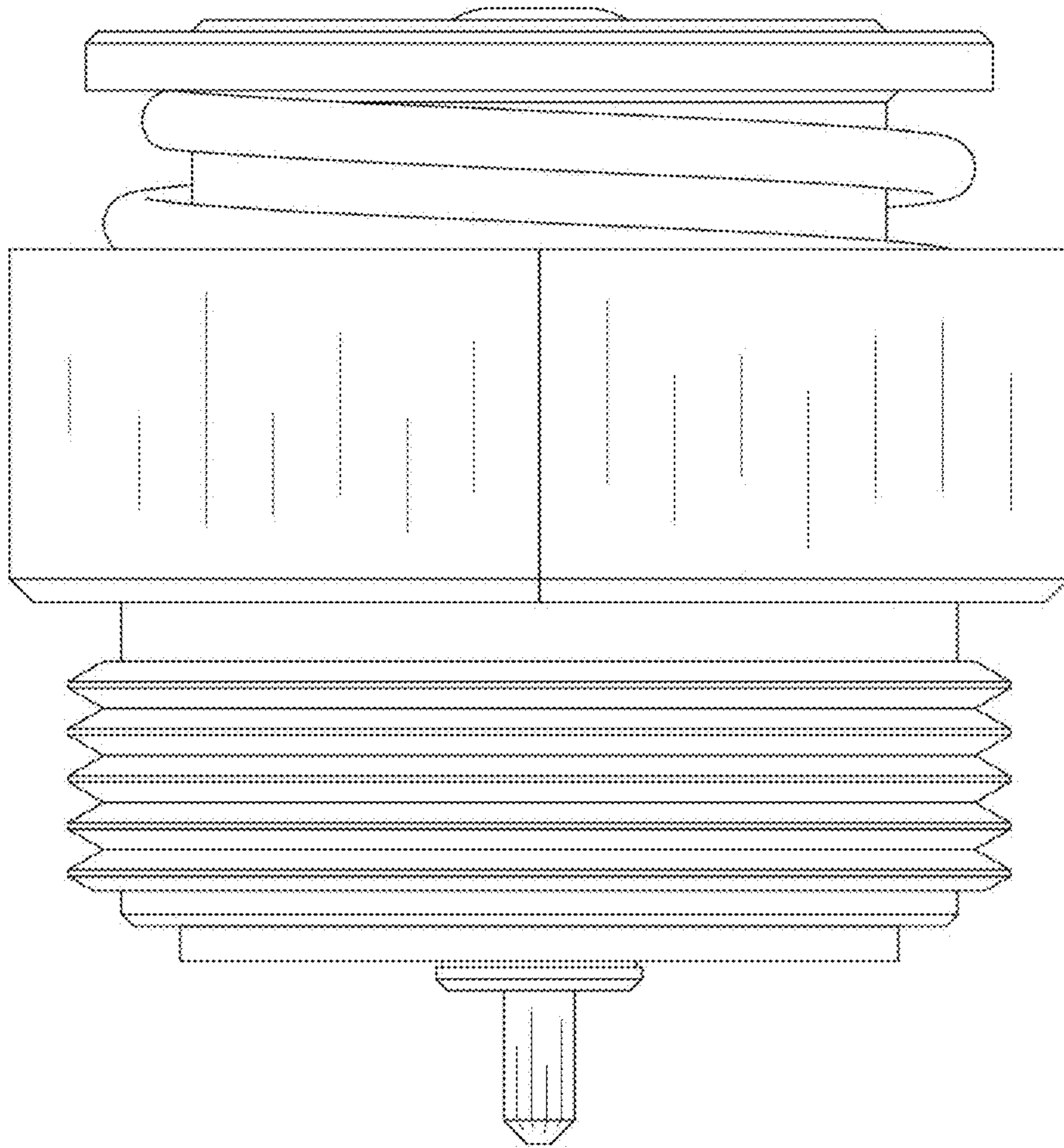
U.S. PATENT DOCUMENTS

D790,053	S	*	6/2017	Querrey	D23/393
D796,451	S	*	9/2017	Huang	D13/153
D800,065	S	*	10/2017	Sasaki	D13/133
D802,531	S	*	11/2017	Liao	D13/122
D824,862	S	*	8/2018	Corona	D13/149
D826,155	S	*	8/2018	Baiz	D13/122
D831,565	S	*	10/2018	Mittleman	D13/101
D838,248	S	*	1/2019	Youtsey	D13/151
D838,670	S	*	1/2019	Krugman	D13/136
D839,194	S	*	1/2019	Wardenburg	D13/133
D840,956	S	*	2/2019	Wiese	D13/173
D853,969	S	*	7/2019	Huang	D13/147
D855,707	S	*	8/2019	Ross	D21/487
D856,285	S	*	8/2019	Szymura	D13/147
D860,139	S	*	9/2019	Torres	D13/151
D861,607	S	*	10/2019	Matthews	D13/120
D862,397	S	*	10/2019	Sakai	D13/161
D864,123	S	*	10/2019	Swanson	D13/155
D865,672	S	*	11/2019	Wang	D13/124

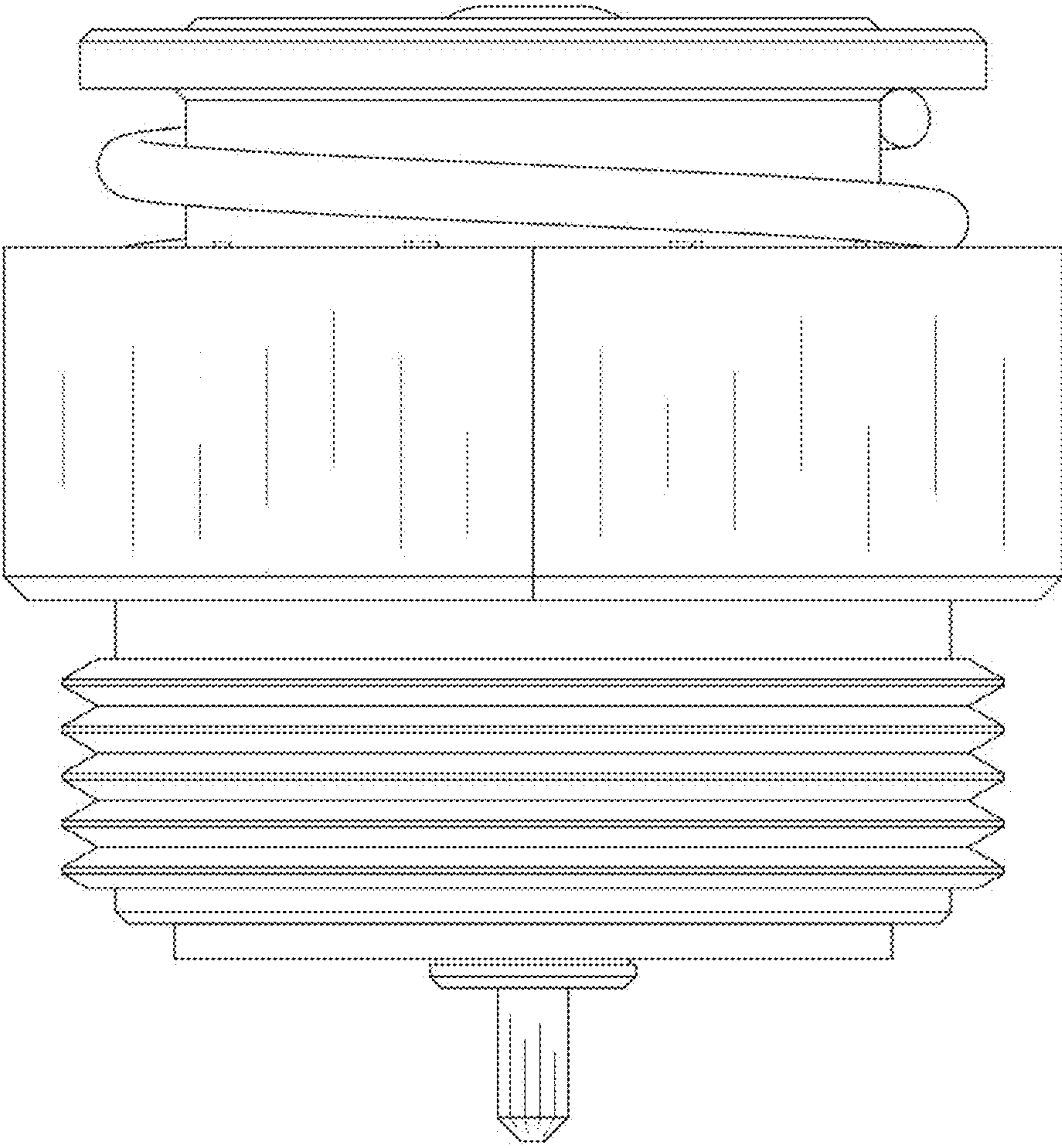
* cited by examiner



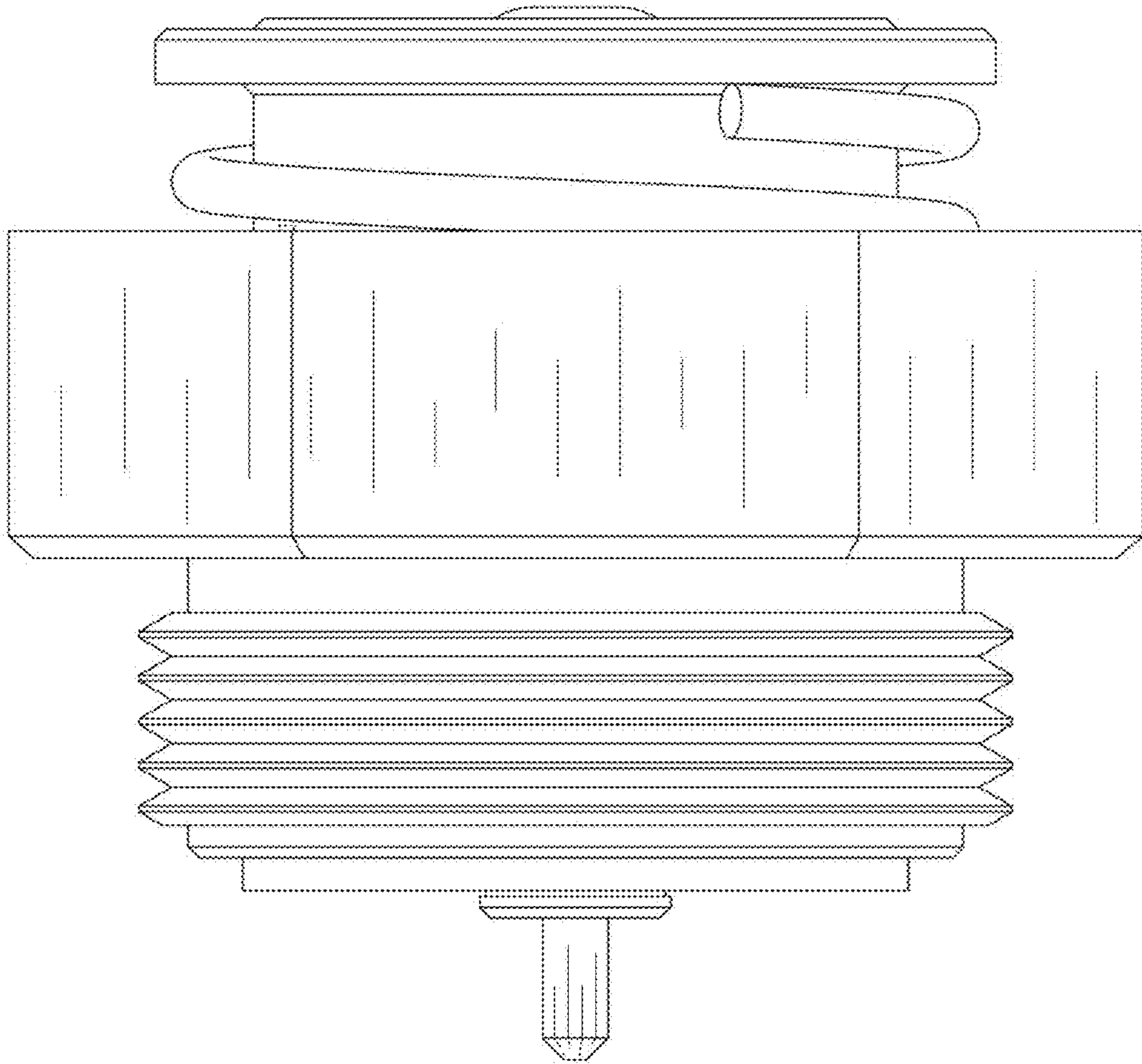
1.1



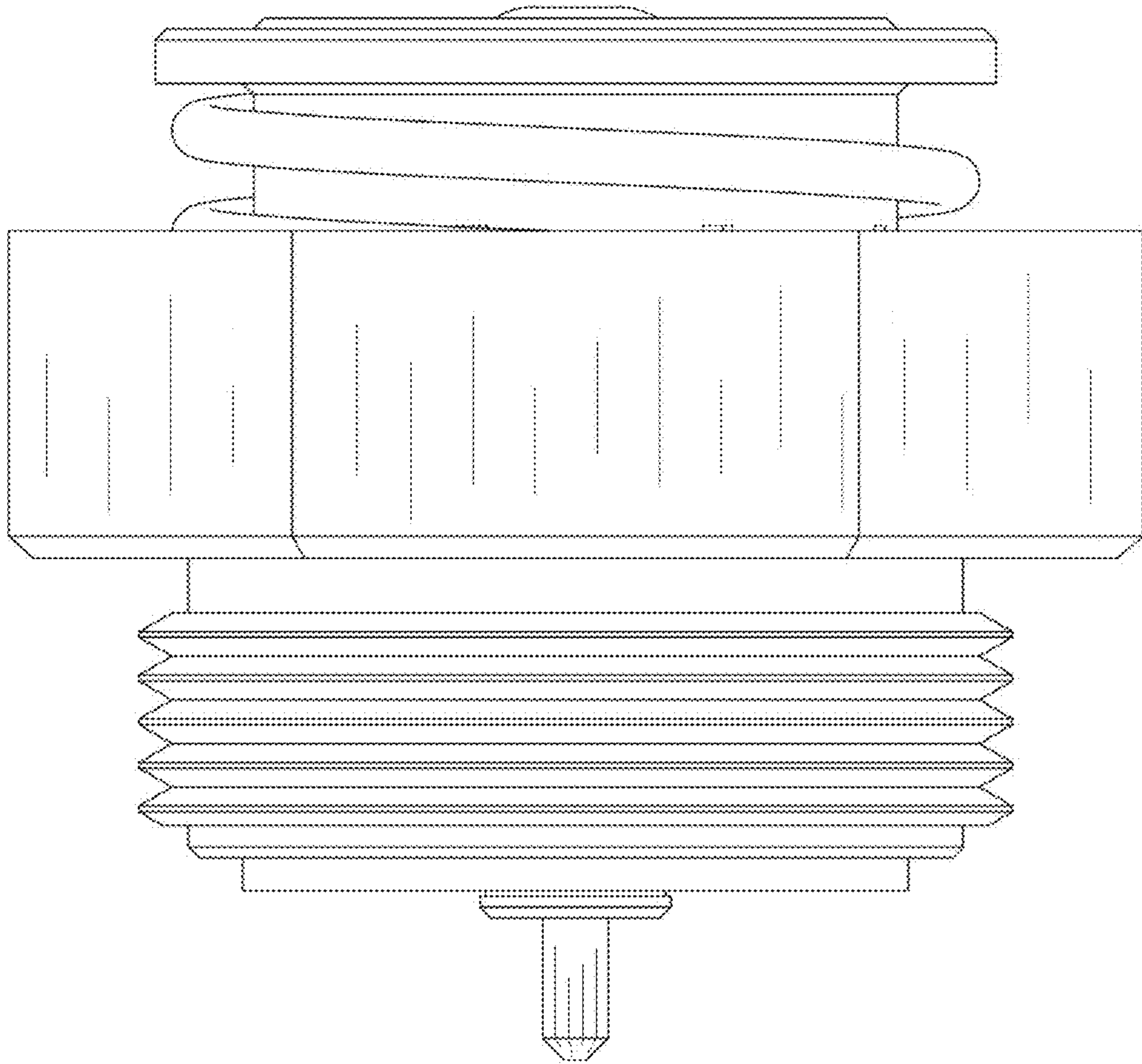
1.2



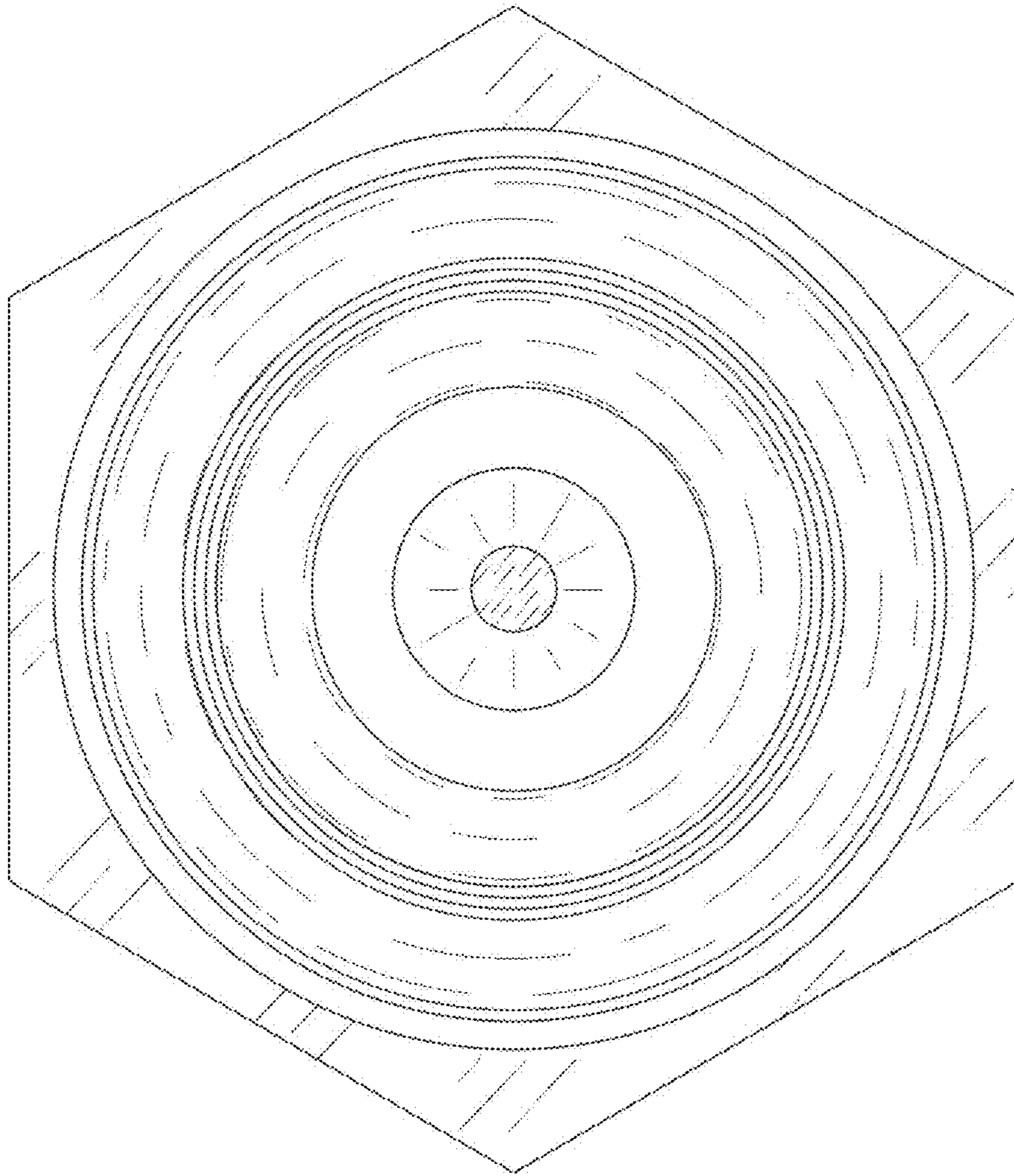
1.3



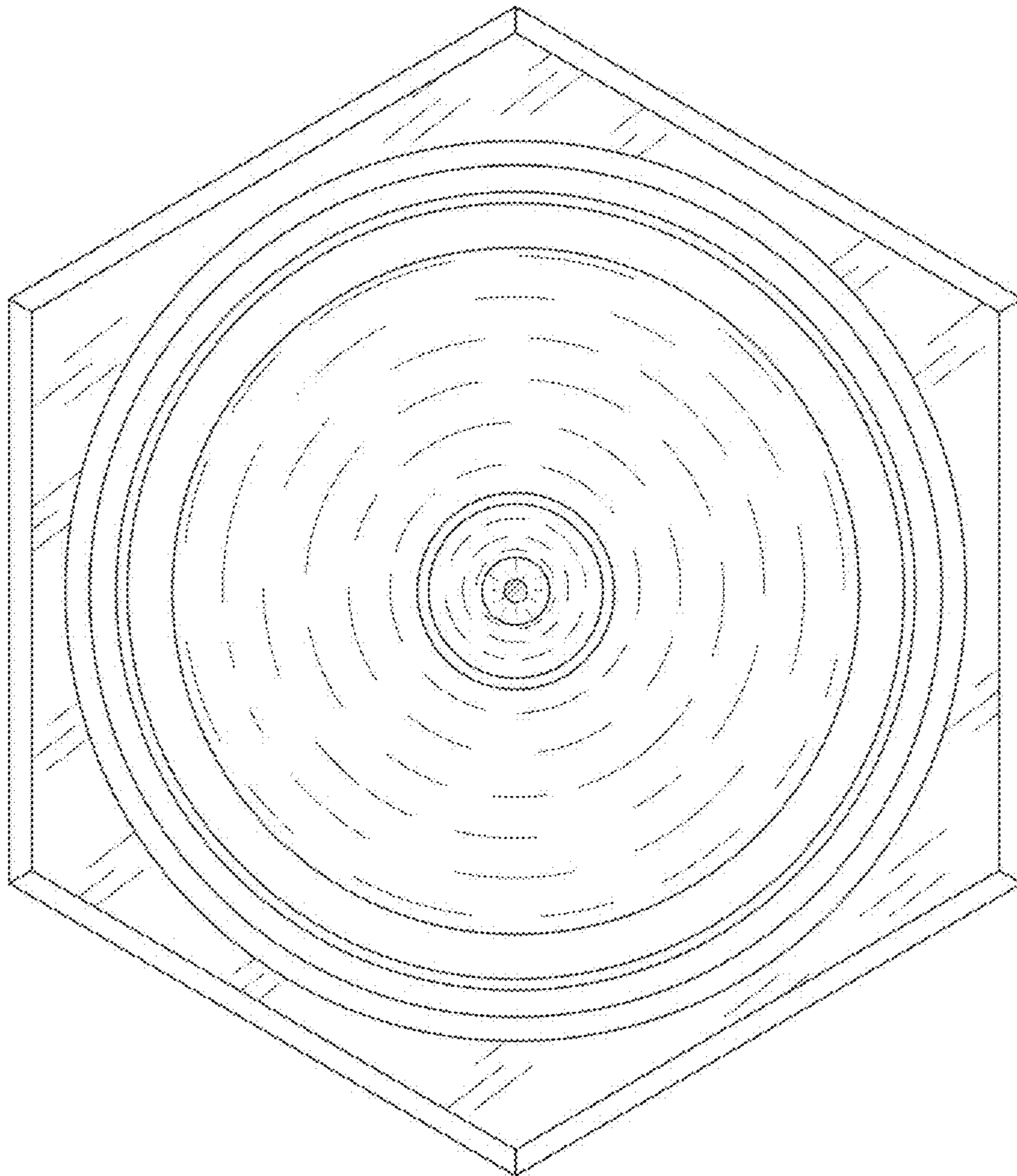
1.4



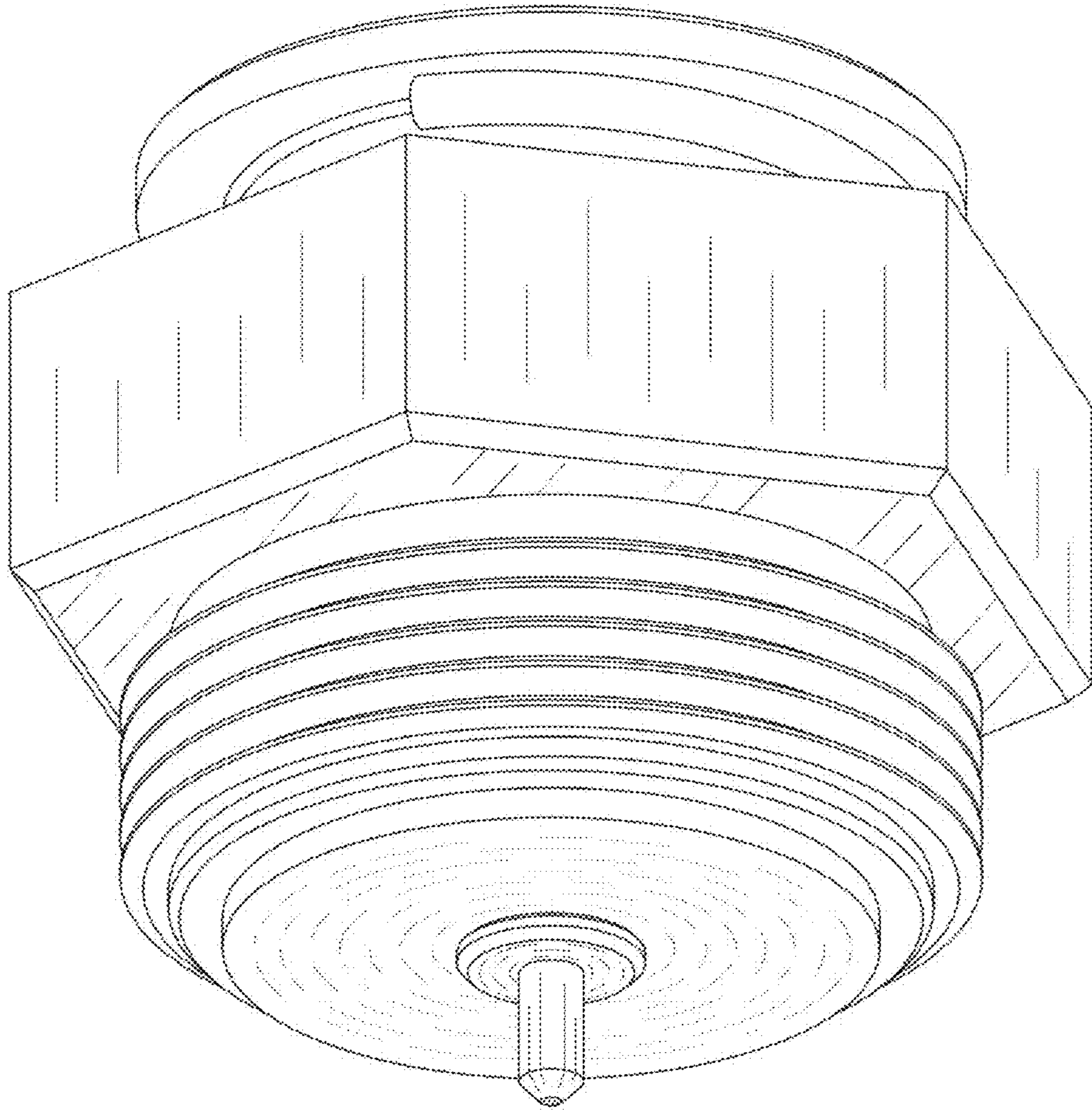
1.5



1.6



1.7



1.8