



US00D908096S

(12) **United States Design Patent**
Smith

(10) **Patent No.:** **US D908,096 S**

(45) **Date of Patent:** **** Jan. 19, 2021**

(54) **SPLIT, LOCKNUT GROUNDING BUSHING**

(71) Applicant: **Bridgeport Fittings, LLC**, Stratford, CT (US)

(72) Inventor: **Lawrence J. Smith**, Stamford, CT (US)

(73) Assignee: **Bridgeport Fittings, LLC**, Stratford, CT (US)

(**) Term: **15 Years**

(21) Appl. No.: **29/699,764**

(22) Filed: **Jul. 29, 2019**

(51) **LOC (13) Cl.** **13-03**

(52) **U.S. Cl.**
USPC **D13/149**

(58) **Field of Classification Search**
USPC D8/71, 73, 349, 354, 382, 394, 395, 396, D8/397, 399; D23/259, 262, 265, 269, D23/314, 386; D13/149
CPC H01R 11/26; H01R 4/643; H01R 11/11; H01R 4/64; H01R 4/304; H01R 4/22; H01R 4/32; H01R 4/36; H01R 4/60; H01R 13/655; H02G 3/0616; H02G 3/06
See application file for complete search history.

(56) **References Cited**

U.S. PATENT DOCUMENTS

3,492,625	A *	1/1970	Bromberg	H01R 4/60
					439/100
3,967,872	A *	7/1976	Mooney	H01R 4/64
					439/100
D243,407	S *	2/1977	Mooney	D13/149
4,159,859	A *	7/1979	Shemtov	H01R 4/64
					439/100
4,189,198	A *	2/1980	Reichman	H01R 4/64
					439/100
4,210,374	A *	7/1980	Churla	H01R 4/60
					285/404
4,806,108	A *	2/1989	Meinhardt	H01R 4/64
					439/100

D396,801	S *	8/1998	Petty	D8/356
6,840,782	B1	1/2005	Borden et al.		
7,182,611	B2	2/2007	Borden et al.		
D618,626	S *	6/2010	Kiely	D13/149
D626,087	S	10/2010	Kiely		
7,901,256	B1	3/2011	Kiely		
7,915,545	B1	3/2011	Bixler et al.		
7,927,157	B1	4/2011	Kiely		
8,021,169	B1	9/2011	Smith		
D648,281	S	11/2011	Cerasale		
D651,569	S	1/2012	Kiely		
D652,388	S	1/2012	Cerasale		

(Continued)

OTHER PUBLICATIONS

US 10,003,139 B1, 06/2018, Smith (withdrawn)

Primary Examiner — Sandra Snapp

Assistant Examiner — Ieisha N Price

(74) *Attorney, Agent, or Firm* — Ware, Fressola, Maguire & Barber LLP

(57) **CLAIM**

The ornamental design for a split, locknut grounding bushing, as shown and described.

DESCRIPTION

FIG. 1 is a front perspective view of a split, locknut grounding bushing showing my new design.

FIG. 2 is a top view thereof.

FIG. 3 is a bottom view thereof.

FIG. 4 is a right side view thereof.

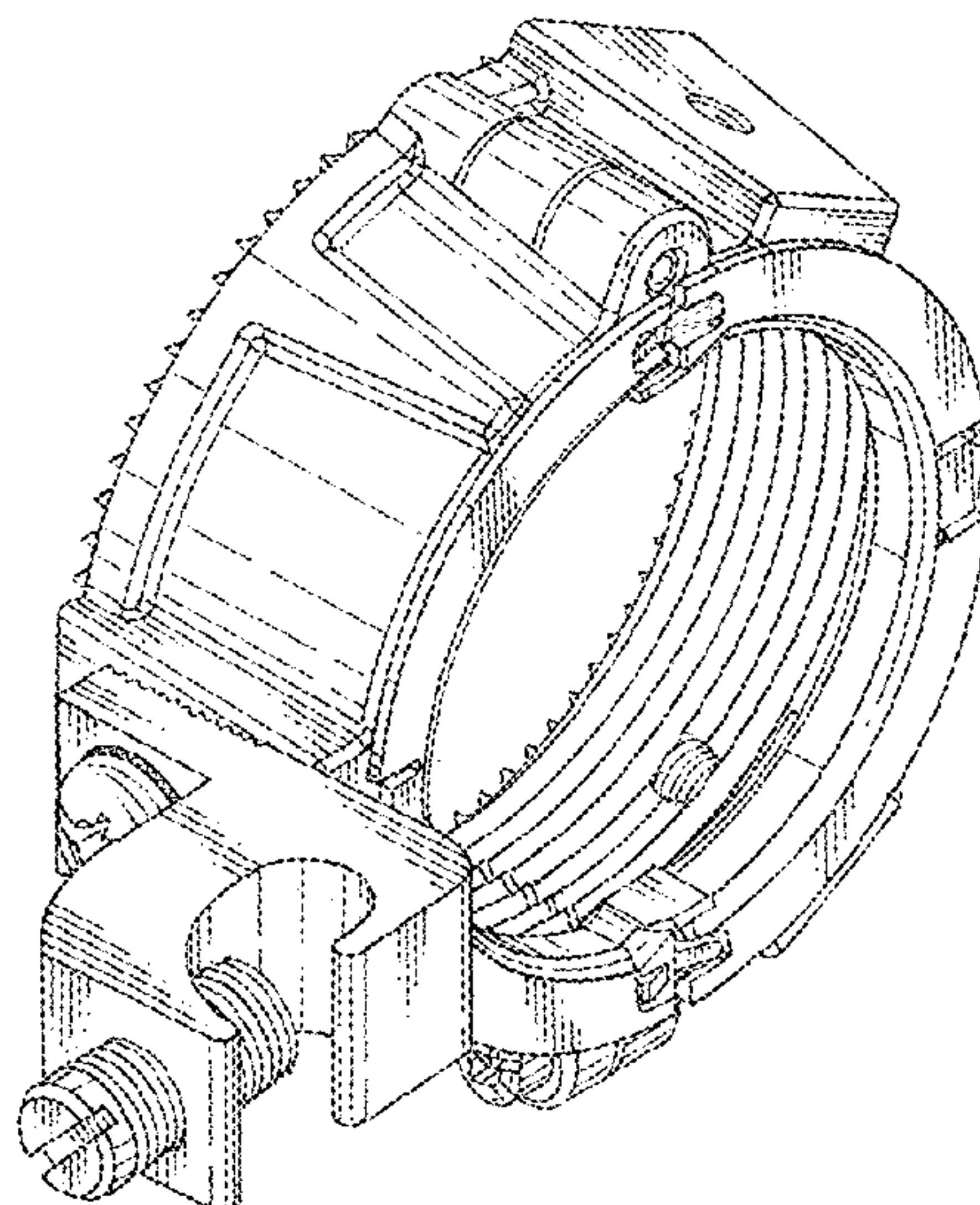
FIG. 5 is a left side view thereof.

FIG. 6 is a front view thereof; and,

FIG. 7 is a rear view thereof, opposite from the front view of FIG. 6.

The broken lines in the drawings illustrate portions of the split, locknut grounding bushing and form no part of the claimed design.

1 Claim, 7 Drawing Sheets



(56)

References Cited

U.S. PATENT DOCUMENTS

8,106,297	B1	1/2012	Kiely	
D657,316	S	4/2012	Kiely	
8,272,883	B1	9/2012	Smith	
8,277,263	B1	10/2012	Smith	
8,410,378	B1	4/2013	Senseney et al.	
8,419,449	B1	4/2013	Smith	
D703,519	S	4/2014	Senseney et al.	
8,809,680	B2	8/2014	Kiely	
8,882,517	B2	11/2014	Smith et al.	
D721,652	S	1/2015	Smith	
D722,966	S	2/2015	Smith	
9,000,310	B2	4/2015	Smith	
9,012,791	B2	4/2015	Smith	
D733,064	S	6/2015	Smith	
9,106,067	B1 *	8/2015	Vernica H01R 4/60
D749,047	S	2/2016	Smith	
9,257,795	B2	2/2016	Smith	
9,705,256	B1	7/2017	Smith	
10,027,039	B1	7/2018	Smith	
10,135,230	B1	11/2018	Smith	
10,263,361	B1 *	4/2019	Gretz H01R 13/5205
10,461,443	B2	10/2019	Smith	
2005/0255728	A1 *	11/2005	Pyron H01R 4/643 439/100
2011/0237140	A1	9/2011	Cerasale	
2013/0089994	A1 *	4/2013	Smith H01R 4/643 439/100
2013/0133943	A1 *	5/2013	Smith H01R 4/64 174/665
2015/0311638	A1 *	10/2015	Smith H01R 4/36 174/78
2018/0323518	A1 *	11/2018	Smith H01R 4/304

* cited by examiner

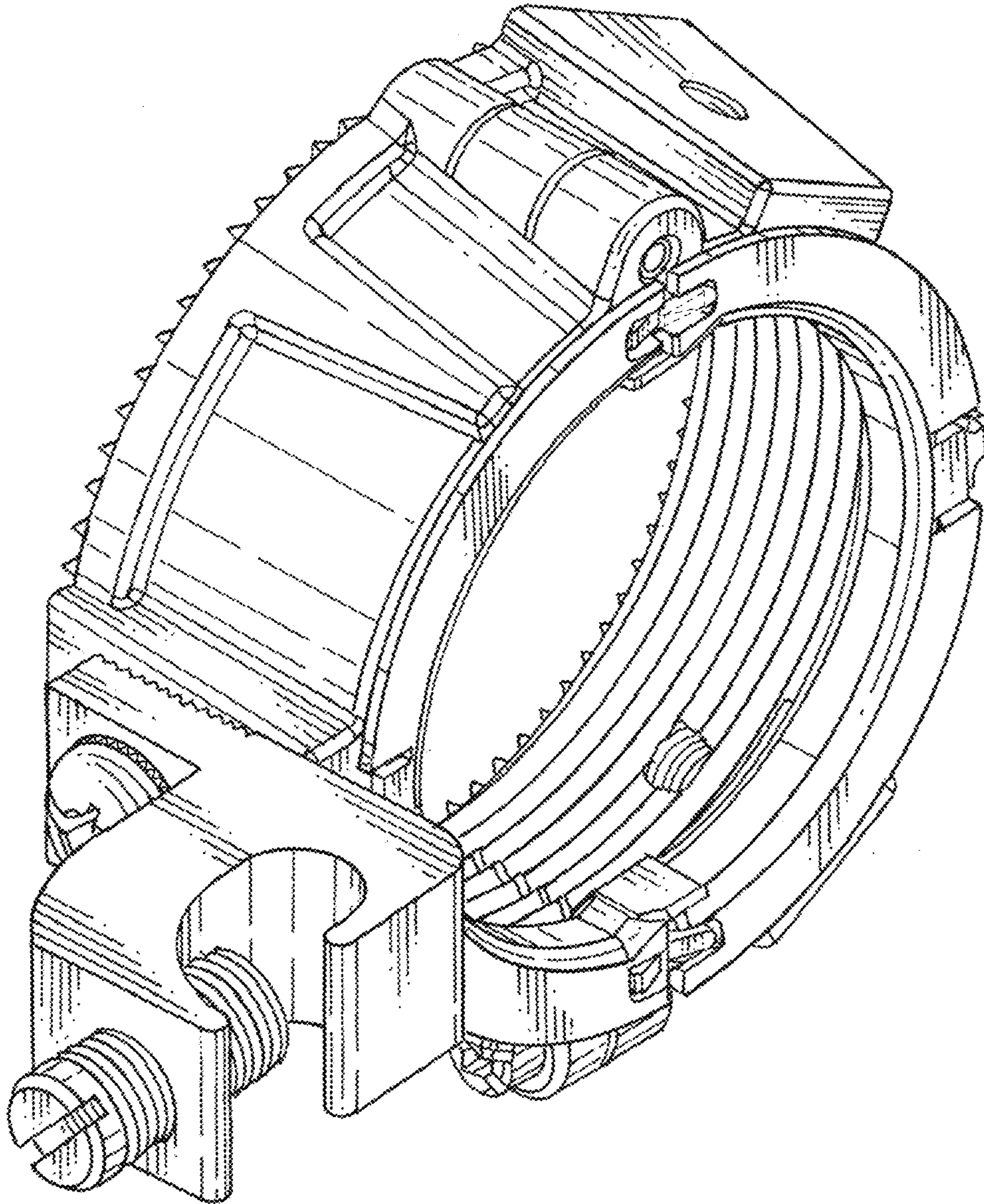


FIG. 1

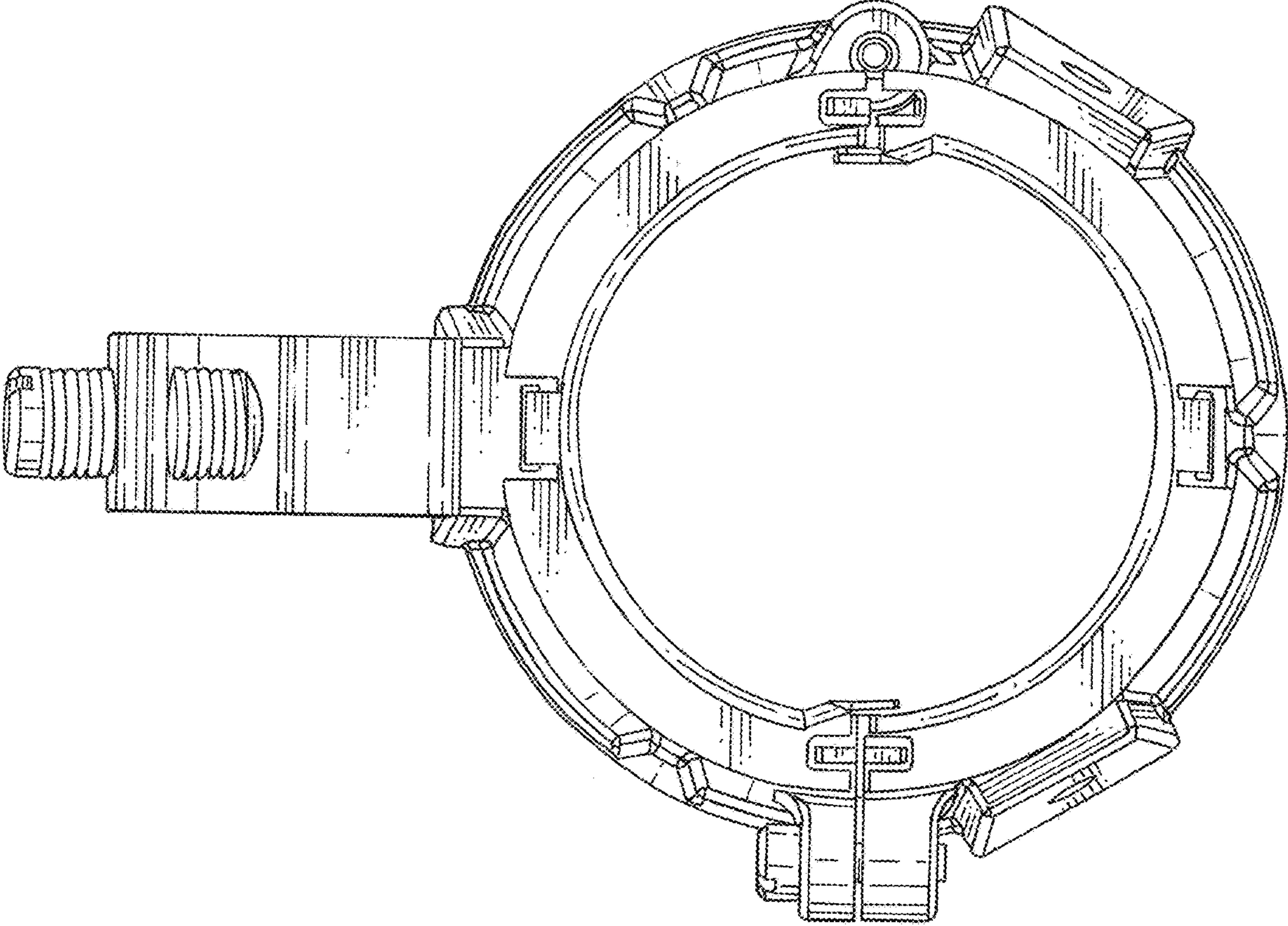


FIG. 2

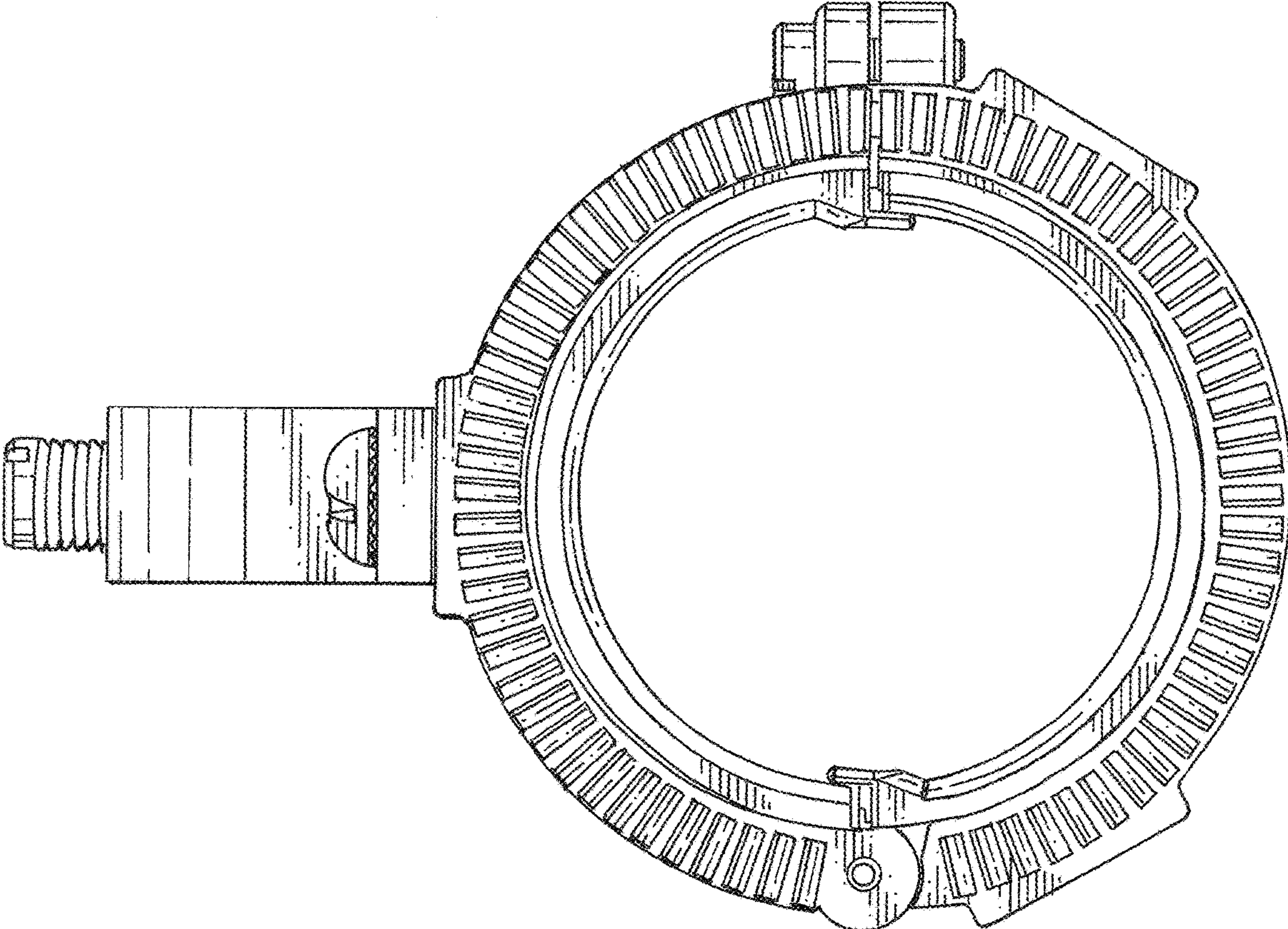


FIG. 3

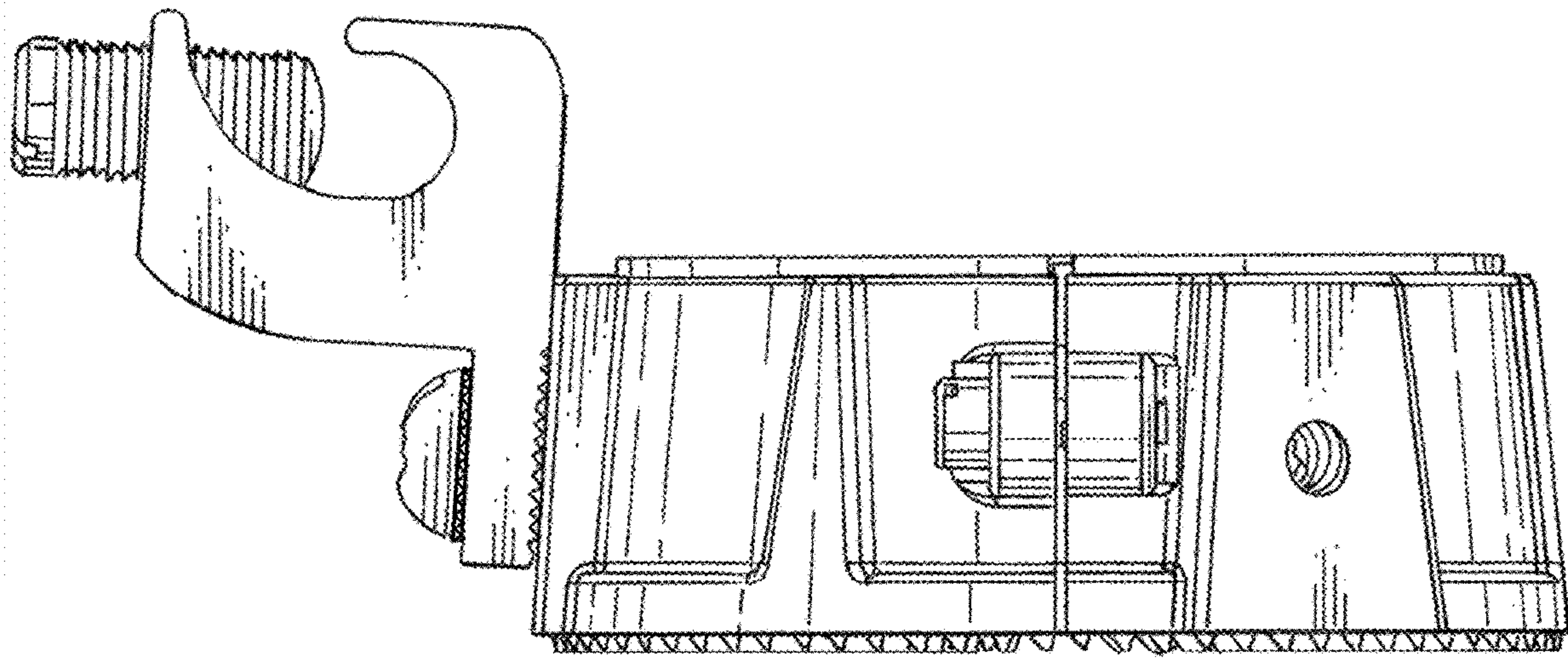


FIG. 4

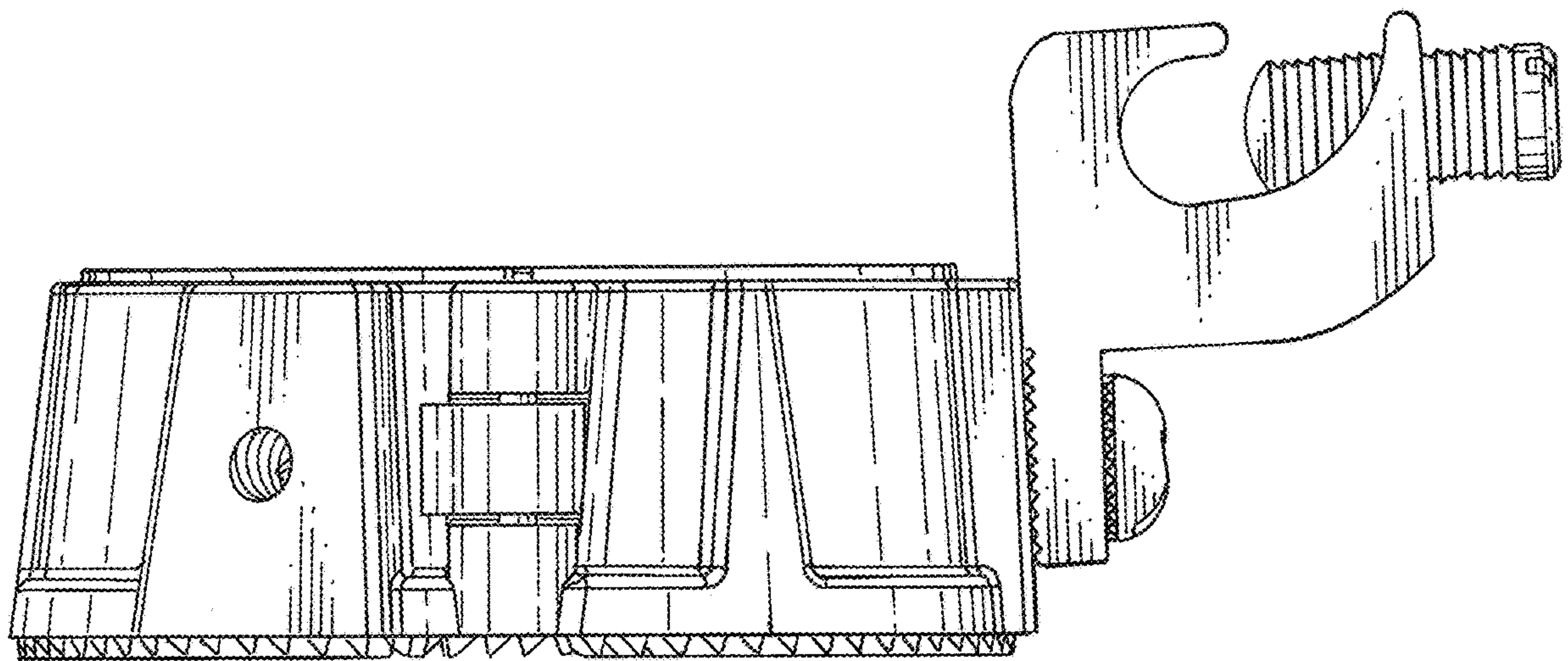


FIG. 5

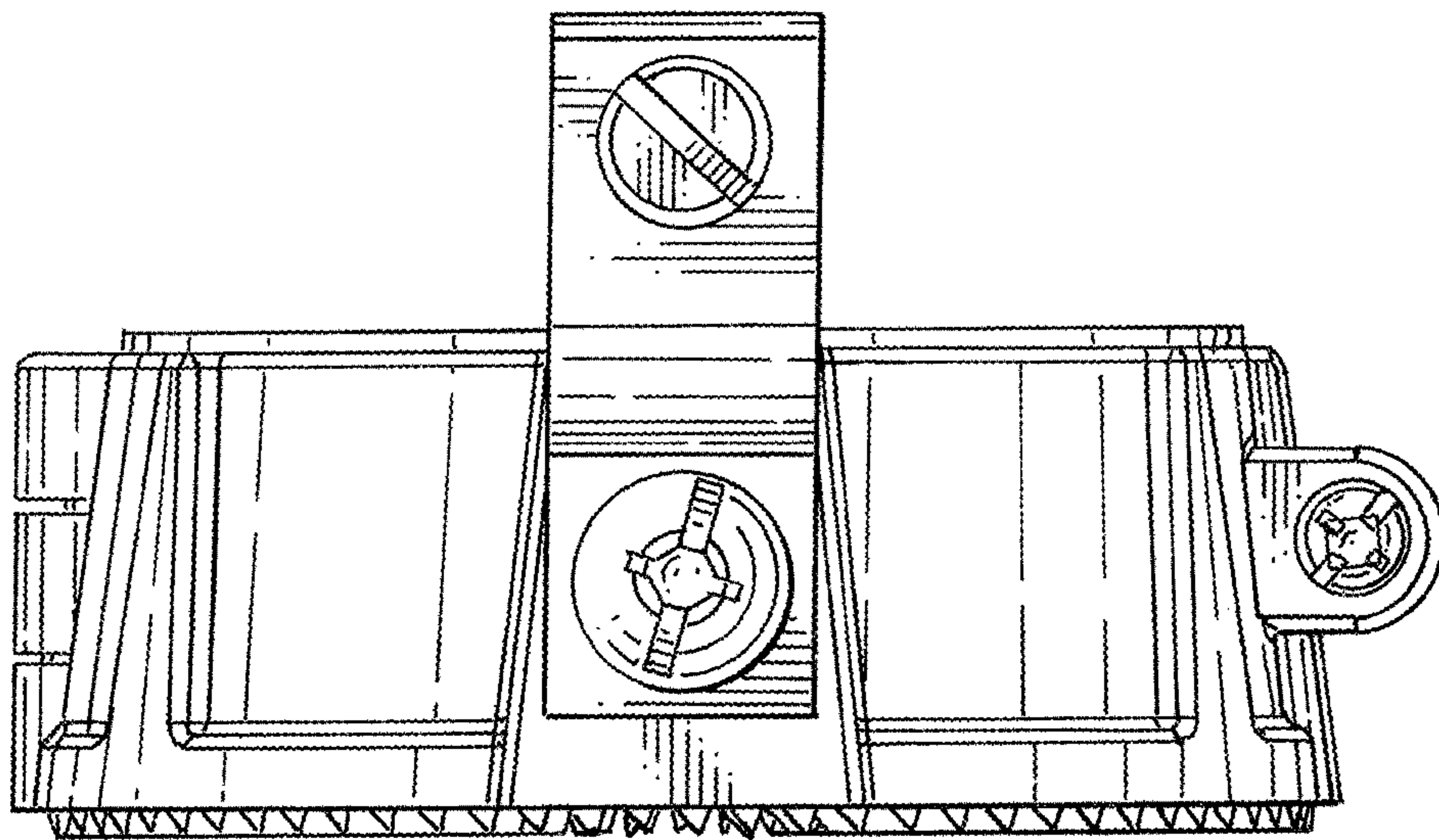


FIG. 6

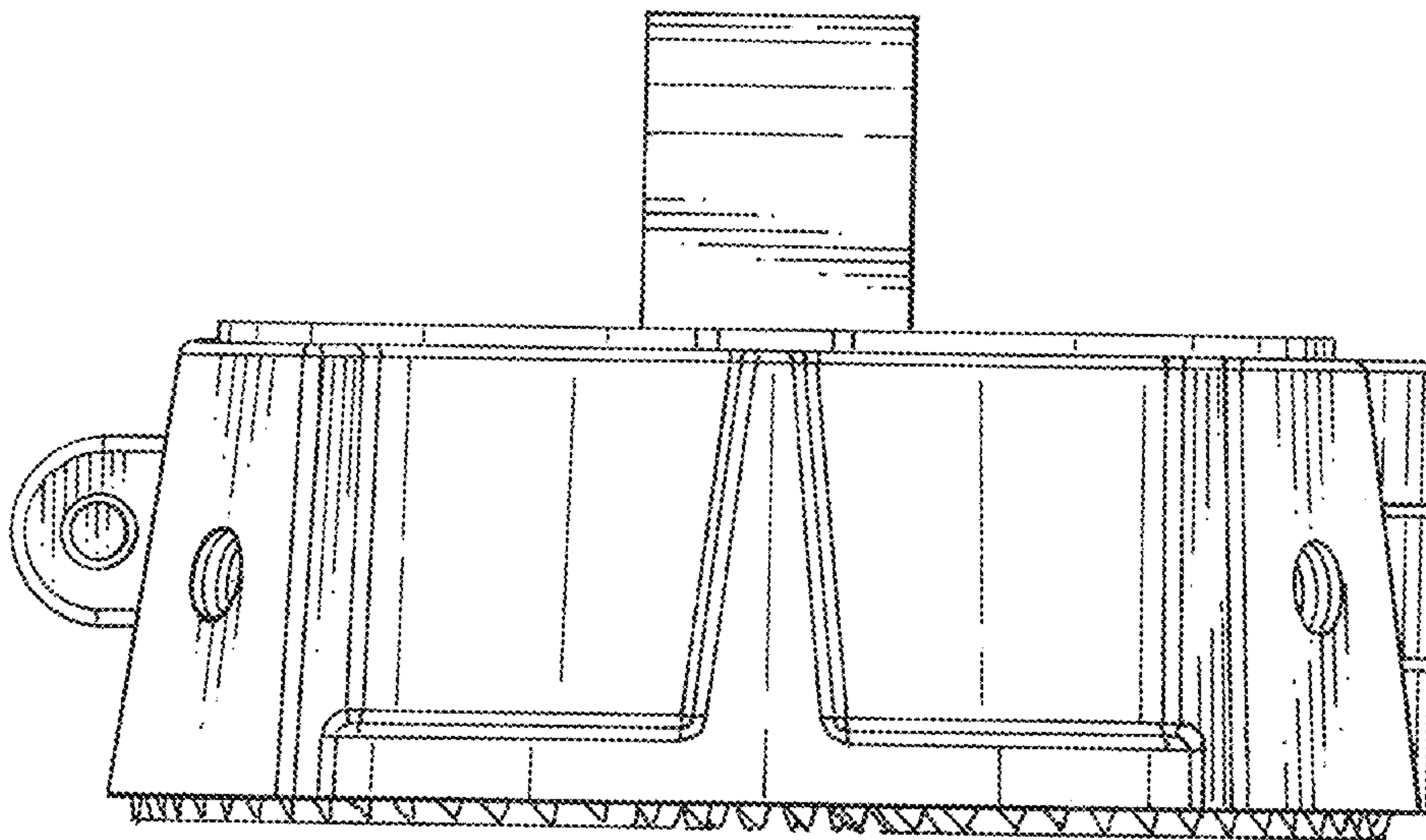


FIG. 7