



US00D908093S

(12) **United States Design Patent** (10) **Patent No.:** **US D908,093 S**  
**Pan et al.** (45) **Date of Patent:** **\*\* Jan. 19, 2021**

(54) **POWER SUPPLY SOCKET** 6,329,596 B1 \* 12/2001 Justiniano ..... H02G 3/14  
174/66

(71) Applicant: **Ze Chen**, Yueqing (CN) D462,660 S \* 9/2002 Huang ..... D13/139.3  
D470,108 S \* 2/2003 Daoxian ..... D13/139.3  
7,031,125 B2 \* 4/2006 Germain ..... H01H 73/14  
361/42

(72) Inventors: **Xincheng Pan**, Huizhou (CN); **Gui Chen**, Wenzhou (CN); **Hanliang Yu**, Tongzhou (CN) D535,255 S \* 1/2007 Bazayev ..... D13/139.3  
7,209,330 B2 \* 4/2007 DiSalvo ..... H01H 71/62  
361/42

(73) Assignee: **Ze Chen**, Yueqing (CN) D542,223 S \* 5/2007 Bazayev ..... D13/139.3  
D545,272 S \* 6/2007 Zhang ..... D13/139.3  
D571,730 S \* 6/2008 Kidman ..... D13/139.3  
D686,577 S \* 7/2013 Flagello ..... D13/152  
D703,139 S \* 4/2014 Dodal ..... D13/139.1  
D705,734 S \* 5/2014 Dodal ..... D13/139.1  
D713,344 S \* 9/2014 Padro ..... D13/139.3  
D719,511 S \* 12/2014 Dodal ..... D13/139.1  
D719,512 S \* 12/2014 Roy ..... D13/139.6  
D720,295 S \* 12/2014 Dodal ..... D13/139.1  
D722,562 S \* 2/2015 Restrepo ..... D13/139.1

(\*\*) Term: **15 Years**

(21) Appl. No.: **29/698,971**

(22) Filed: **Jul. 22, 2019**

**Related U.S. Application Data**

(60) Continuation of application No. 29/676,670, filed on Jan. 14, 2019, which is a division of application No. 29/546,140, filed on Nov. 19, 2015, now Pat. No. Des. 851,042.

**Foreign Application Priority Data**

(30) Jul. 8, 2015 (CN) ..... 2015 3 0241782

(51) **LOC (13) Cl.** ..... **13-03**

(52) **U.S. Cl.**  
USPC ..... **D13/139.1**

(58) **Field of Classification Search**  
USPC .... D13/139.1-139.8, 137.1-137.4, 152, 154  
CPC ..... H01H 71/62; H01H 73/04; H02G 3/14  
See application file for complete search history.

**References Cited**

**U.S. PATENT DOCUMENTS**

D413,862 S \* 9/1999 Huang ..... D13/139.3  
D419,531 S \* 1/2000 Keung ..... D13/139.3  
D427,887 S \* 7/2000 Leopold ..... D13/154  
D430,539 S \* 9/2000 Leopold ..... D13/139.3

(Continued)

*Primary Examiner* — Rhea Shields

(74) *Attorney, Agent, or Firm* — Mei & Mark LLP

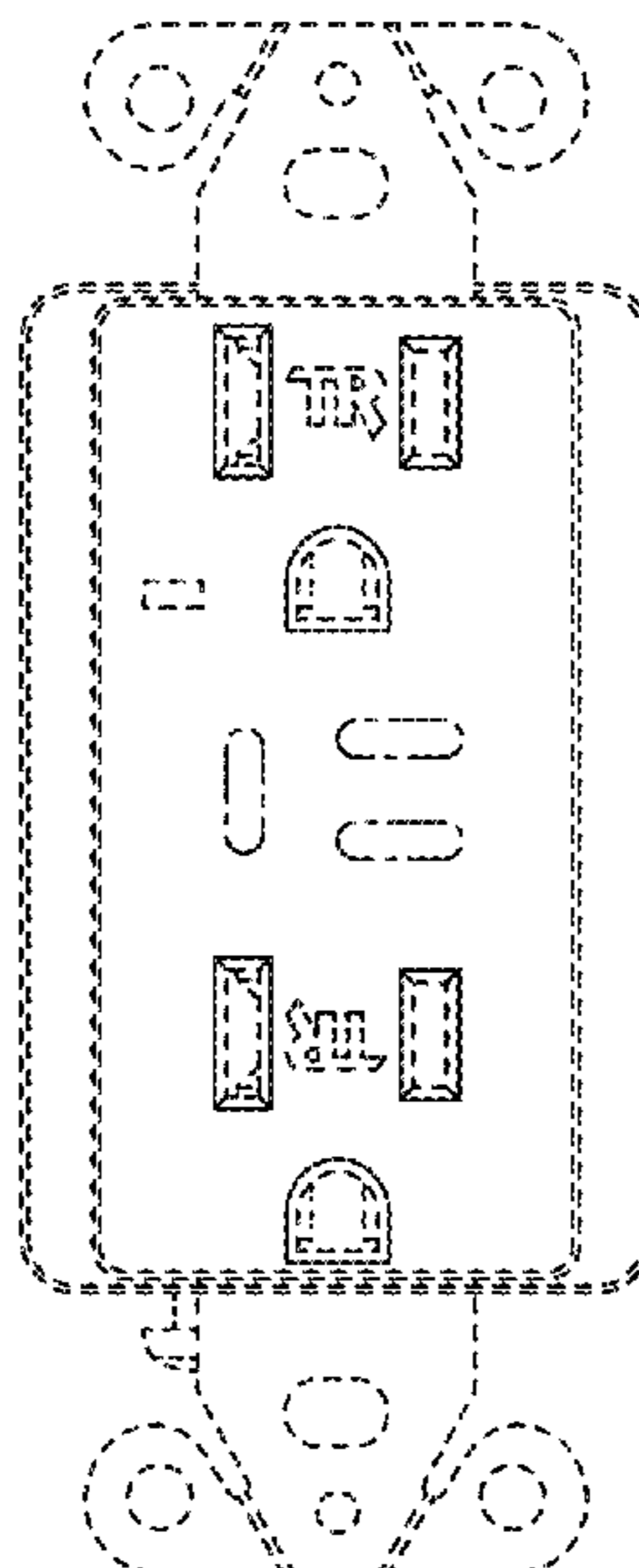
(57) **CLAIM**

The ornamental design for a power supply socket, as shown and described.

**DESCRIPTION**

FIG. 1 is a front view of a power supply socket showing a first embodiment of my new design;  
FIG. 2 is a front top right perspective side view thereof;  
FIG. 3 is a front view of a power supply socket showing a second embodiment of my new design; and,  
FIG. 4 is a front top right perspective side view thereof.  
In the drawings, the evenly spaced broken lines are for the purpose of illustrating portions of the power supply socket that form no part of the claimed design. The dash-dot broken lines are for the purpose of showing the boundaries of the claim that form no part of the claimed design.

**1 Claim, 2 Drawing Sheets**



(56)

**References Cited**

U.S. PATENT DOCUMENTS

D731,432	S	*	6/2015	Murphy	.....	D13/139.1
D744,952	S	*	12/2015	Ni	.....	D13/139.3
D754,074	S	*	4/2016	DeCosta	.....	D13/139.3
D800,662	S	*	10/2017	Wu	.....	D13/137.1
D813,818	S	*	3/2018	Ni	.....	D13/137.2
D817,885	S	*	5/2018	Salas	.....	D13/137.2
D820,211	S	*	6/2018	Salas	.....	D13/137.2
D835,587	S	*	12/2018	Byrne	.....	D13/152
D845,245	S	*	4/2019	Tao	.....	D13/139.3
D853,333	S	*	7/2019	Salas	.....	D13/139.3
D877,081	S	*	3/2020	Salas	.....	D13/139.3
D878,298	S	*	3/2020	Pan	.....	D13/139.3
D879,045	S	*	3/2020	Kadam	.....	D13/139.3
D883,220	S	*	5/2020	Salas	.....	D13/139.3
D883,221	S	*	5/2020	Salas	.....	D13/139.3
D884,643	S	*	5/2020	Kadam	.....	D13/139.1
D887,362	S	*	6/2020	Pan	.....	D13/139.1

\* cited by examiner

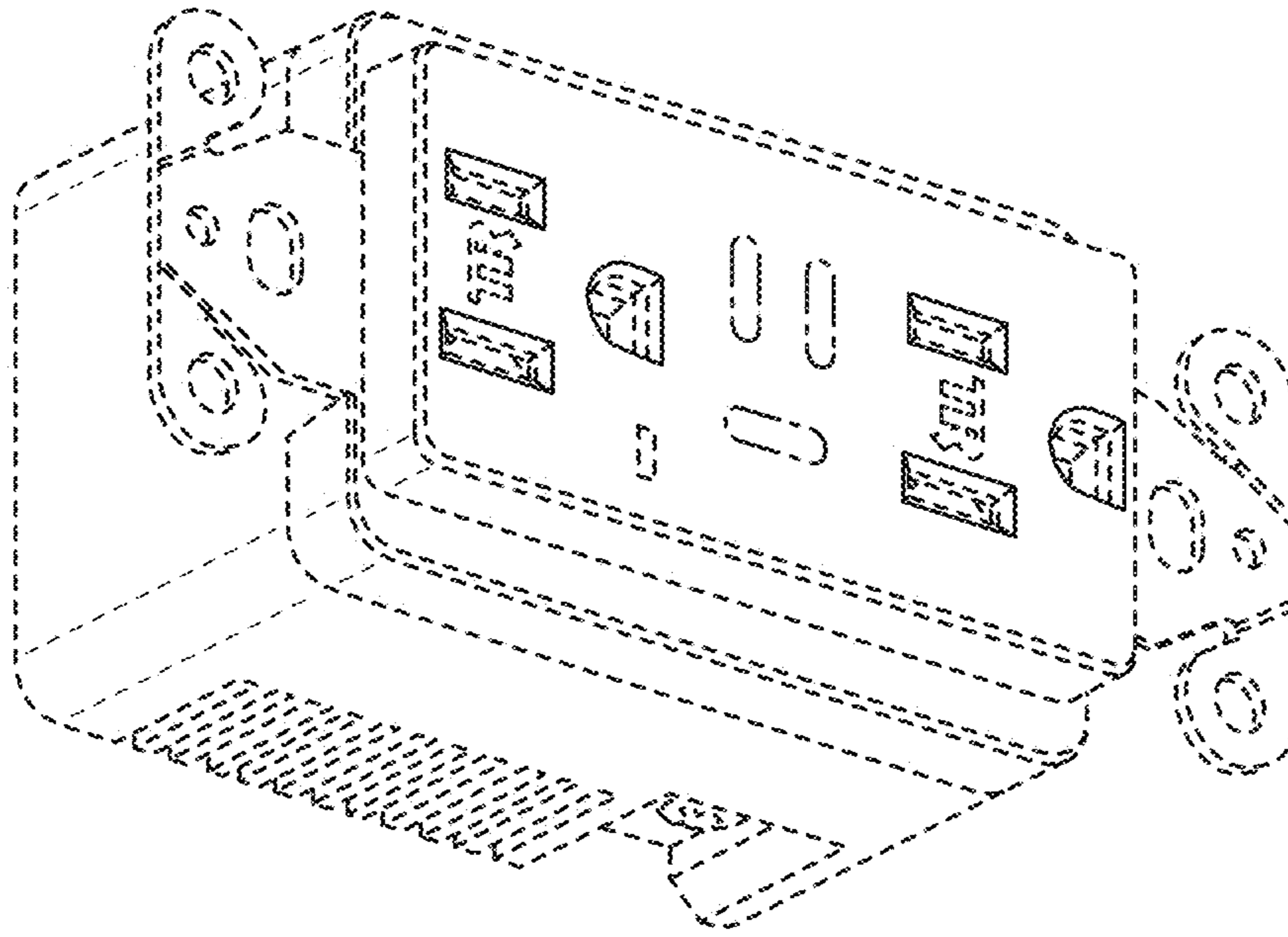


FIG. 2

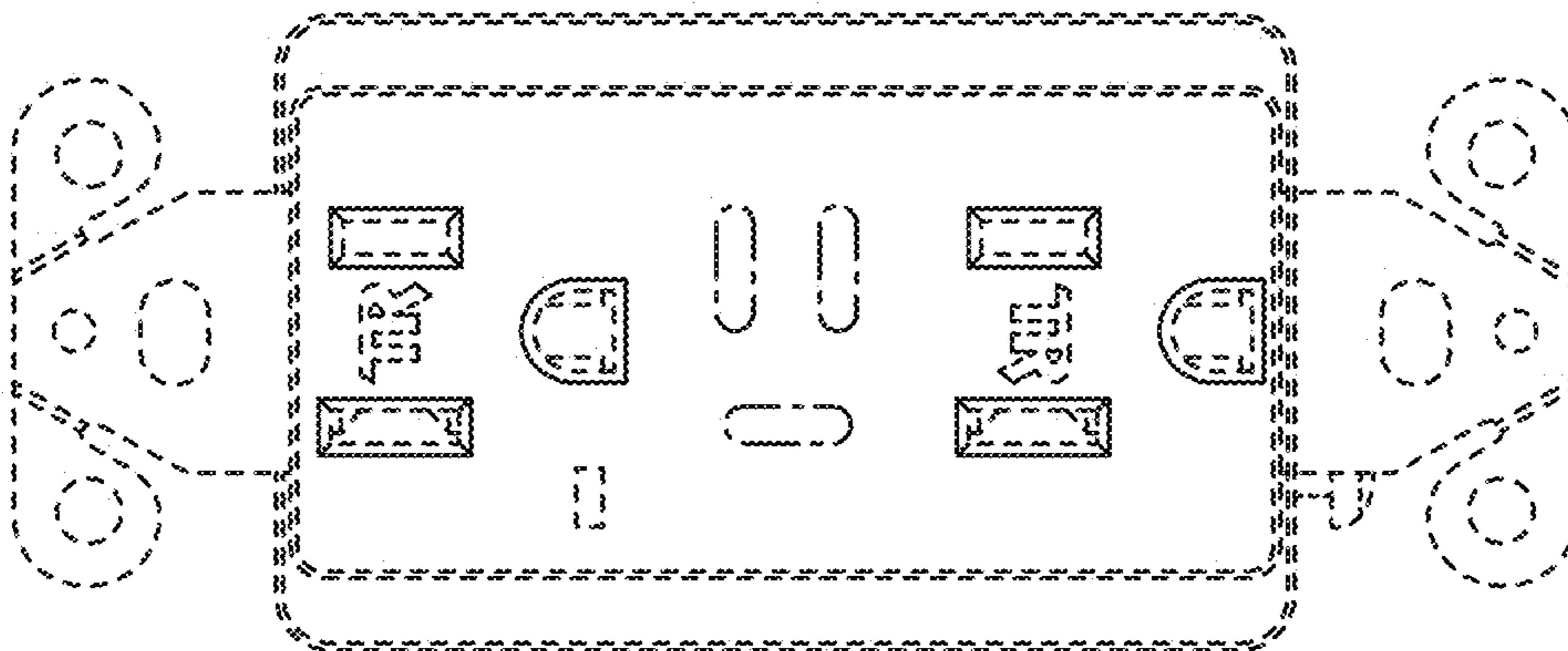


FIG. 1

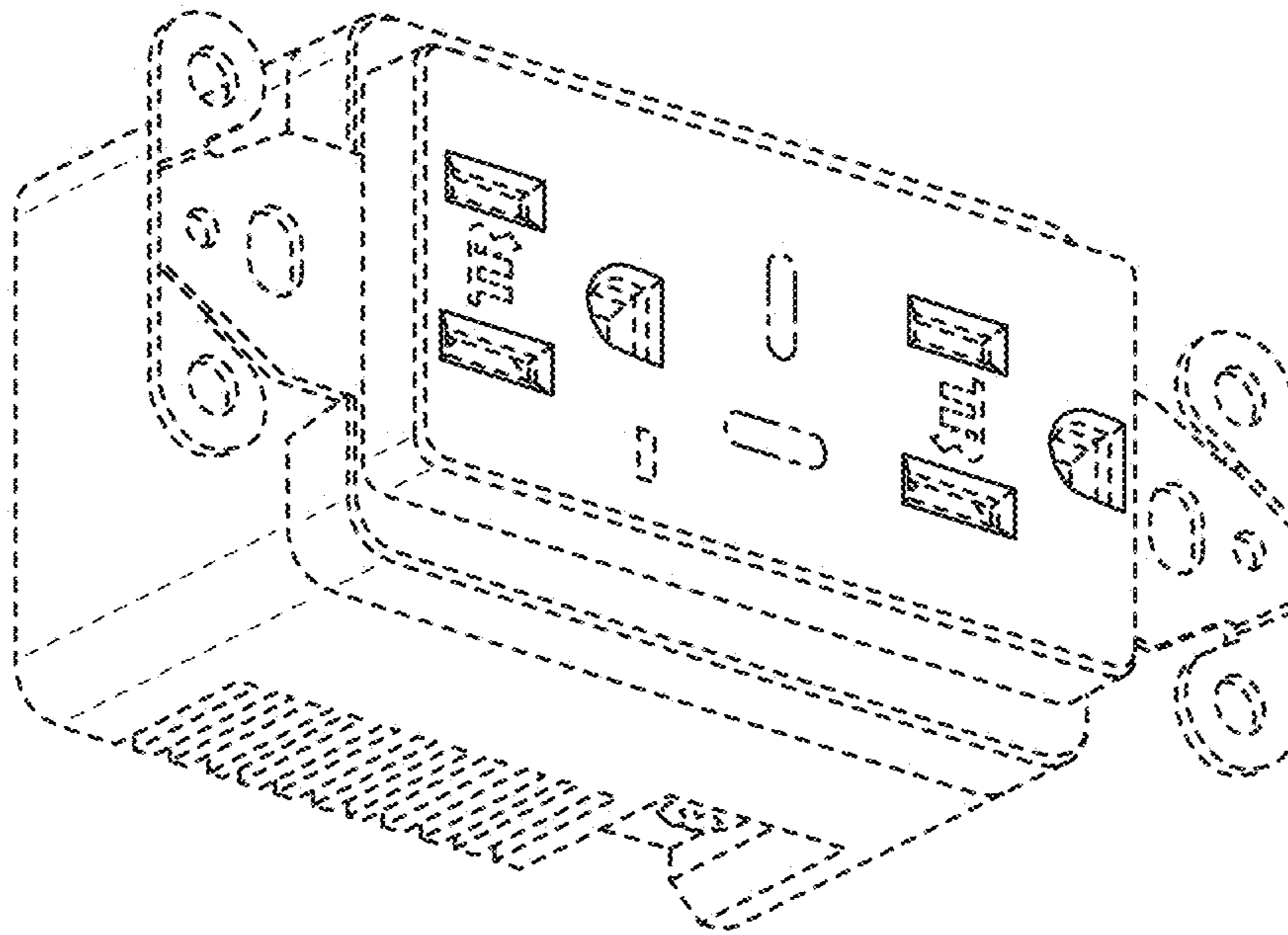


FIG. 4

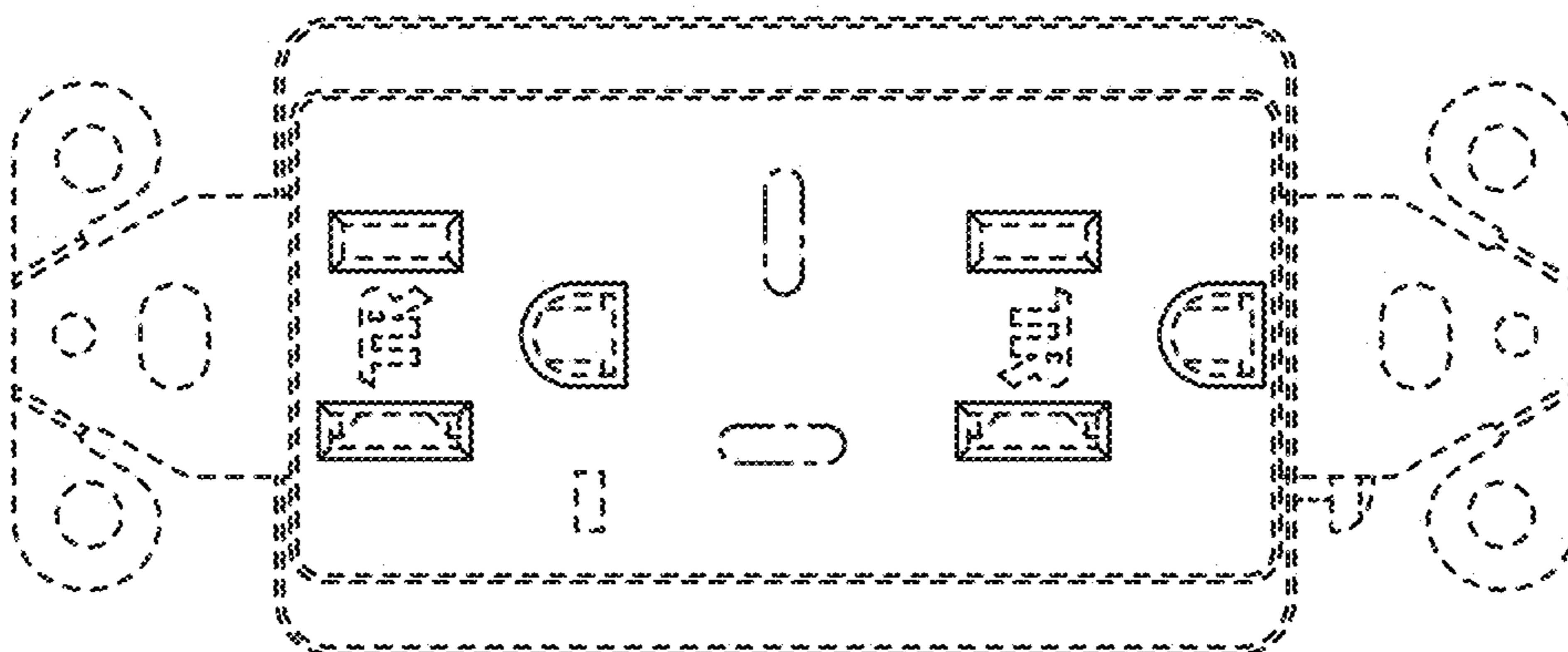


FIG. 3