



US00D908092S

(12) **United States Design Patent**
Jiang et al.

(10) **Patent No.:** **US D908,092 S**
(45) **Date of Patent:** **** Jan. 19, 2021**

(54) **ADAPTER**
(71) Applicant: **Aukey Technology Co., Ltd.**, Shenzhen (CN)
(72) Inventors: **Mi Jiang**, Shenzhen (CN); **Haichuan Lu**, Shenzhen (CN)
(**) Term: **15 Years**

D843,943 S * 3/2019 Yang D13/137.2
D860,948 S * 9/2019 Wang D13/137.2
D879,716 S * 3/2020 Chuang D13/110
D888,666 S * 6/2020 Zhang D13/110
2003/0027459 A1* 2/2003 Lee H01R 13/44
439/693
2003/0068928 A1* 4/2003 Lin H02M 7/217
439/638
2007/0127273 A1* 6/2007 Tsai H01R 33/22
362/646

(21) Appl. No.: **29/702,013**
(22) Filed: **Aug. 16, 2019**
(51) **LOC (13) Cl.** **13-03**
(52) **U.S. Cl.**
USPC **D13/137.4**
(58) **Field of Classification Search**
USPC D13/103, 107, 108, 113, 118, 123, 133,
D13/137.1-137.4, 139.1-139.7, 153, 154,
D13/155, 138.1, 138.2; D14/356-370,
D14/433, 434
CPC H01R 25/006; H01R 25/165; H01R 13/00;
H01R 13/03; H01R 13/04; H01R 13/10;
H01R 13/35; H01R 13/502; H01R
13/631; H01R 13/6666; H01R 13/6675;
H01R 13/6683; H01R 13/6691; H05K
5/00; H05K 5/03
See application file for complete search history.

OTHER PUBLICATIONS

Wall Charger, Jul. 13, 2020, [online], [site visited Sep. 21, 2020], Available from Internet URL: <https://www.amazon.com/Charger-Foldable-Adapter-Delivery-Charging/dp/B08CVST45M> (Year: 2020).*

* cited by examiner

Primary Examiner — Karen E Kearney
Assistant Examiner — Michael Chong
(74) *Attorney, Agent, or Firm* — ZANIP

(57) **CLAIM**

The ornamental design for an adapter, as shown and described.

DESCRIPTION

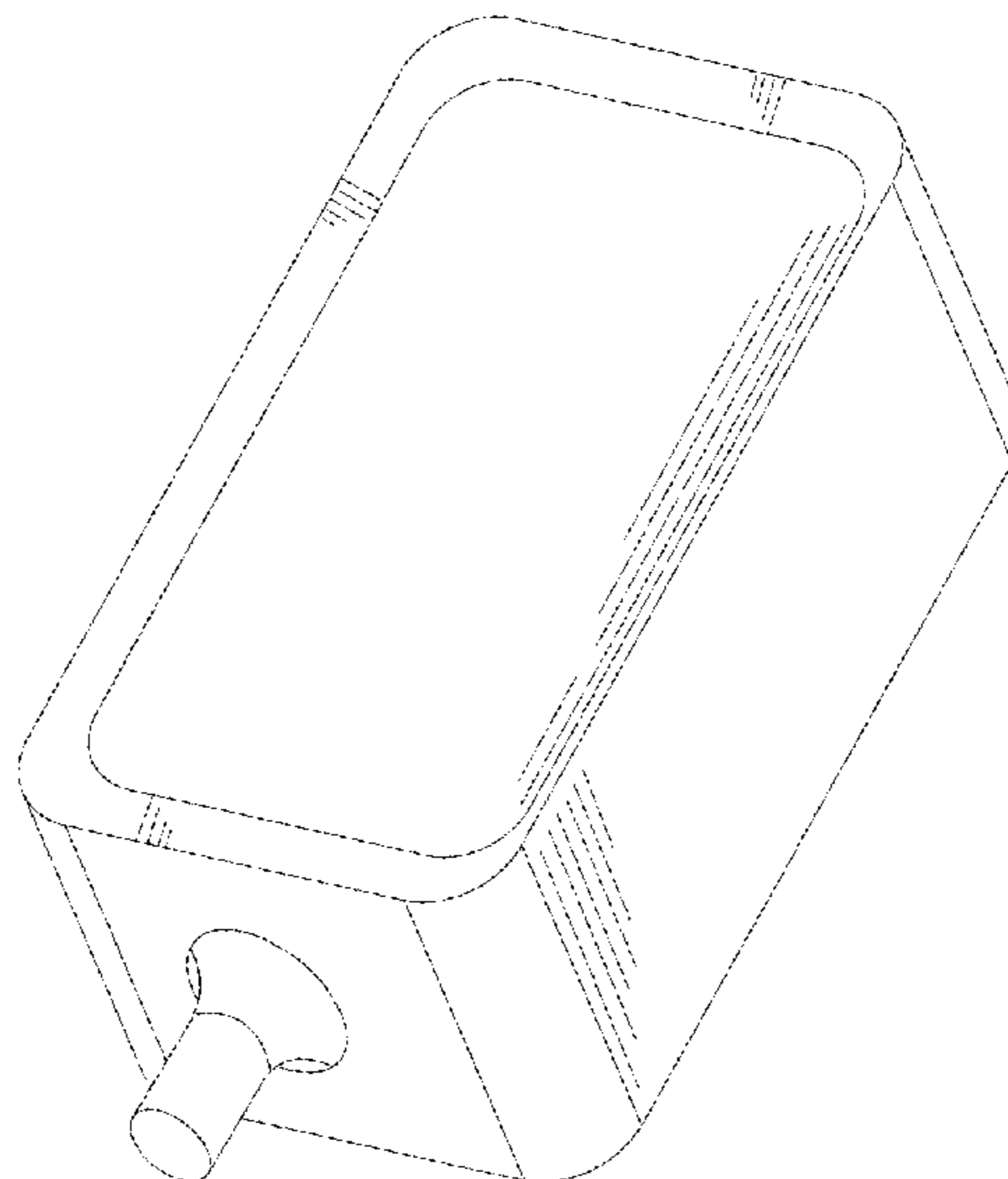
FIG. 1 is a front elevational view of an adapter showing our new design;
FIG. 2 is a rear elevational view thereof;
FIG. 3 is a top plan view thereof;
FIG. 4 is a bottom plan view thereof;
FIG. 5 is a left side elevational view thereof;
FIG. 6 is a right side elevational view thereof; and,
FIG. 7 is a perspective view thereof.
The broken lines in the figures illustrate portions of the adapter that form no part of the claimed design.

1 Claim, 7 Drawing Sheets

(56) **References Cited**

U.S. PATENT DOCUMENTS

D356,066 S * 3/1995 Rao D13/138.1
5,613,863 A * 3/1997 Klaus H01R 27/00
439/131
D400,502 S * 11/1998 Burwell D13/138.2
6,424,551 B1 * 7/2002 Lin H01R 13/72
363/146
D544,833 S * 6/2007 Sade D13/108
D609,642 S * 2/2010 Gandolfi D13/137.2
D746,233 S * 12/2015 Lyons H01R 31/02
D13/137.2
D820,213 S * 6/2018 Wang D13/138.1



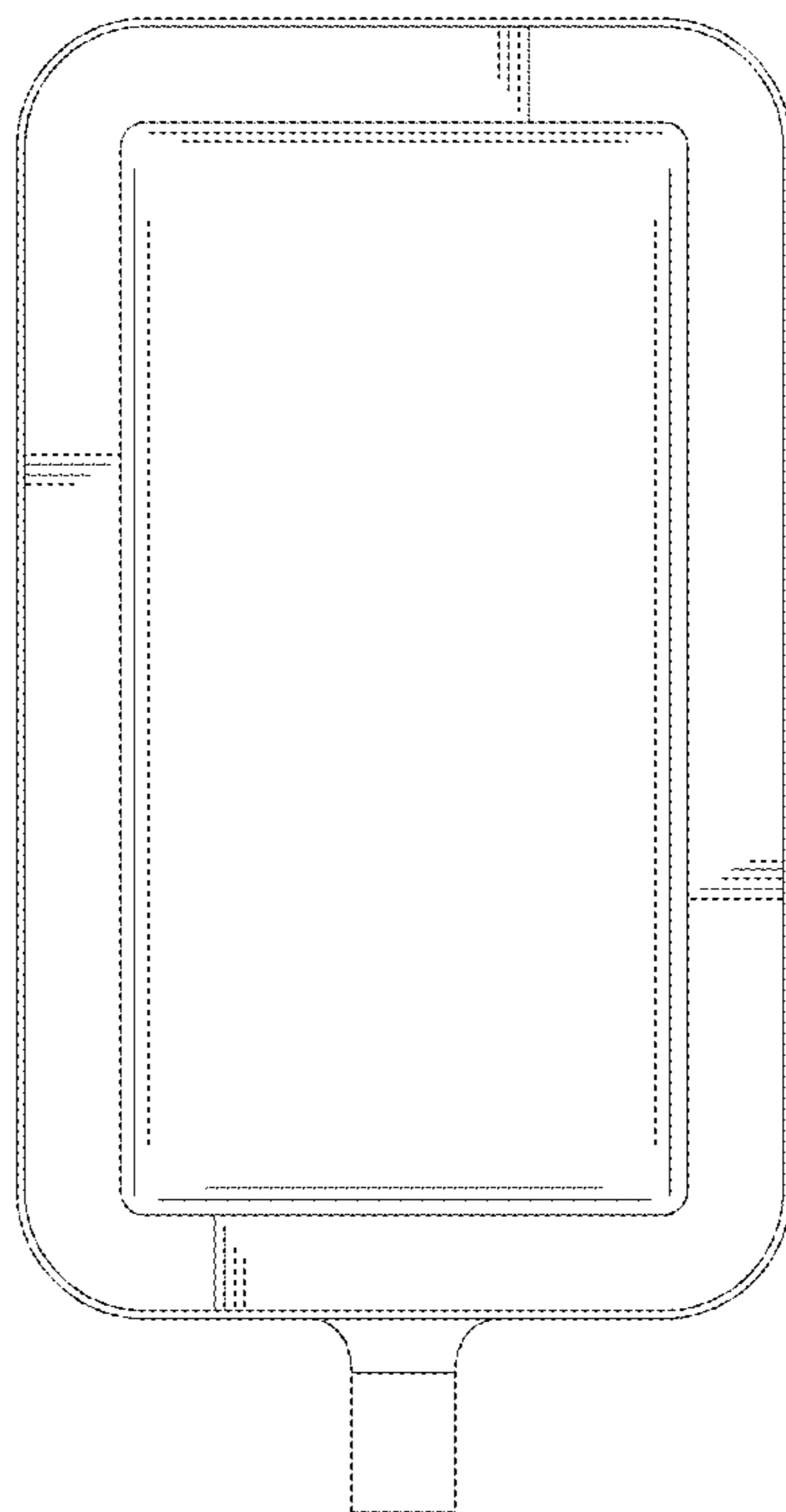


FIG. 1

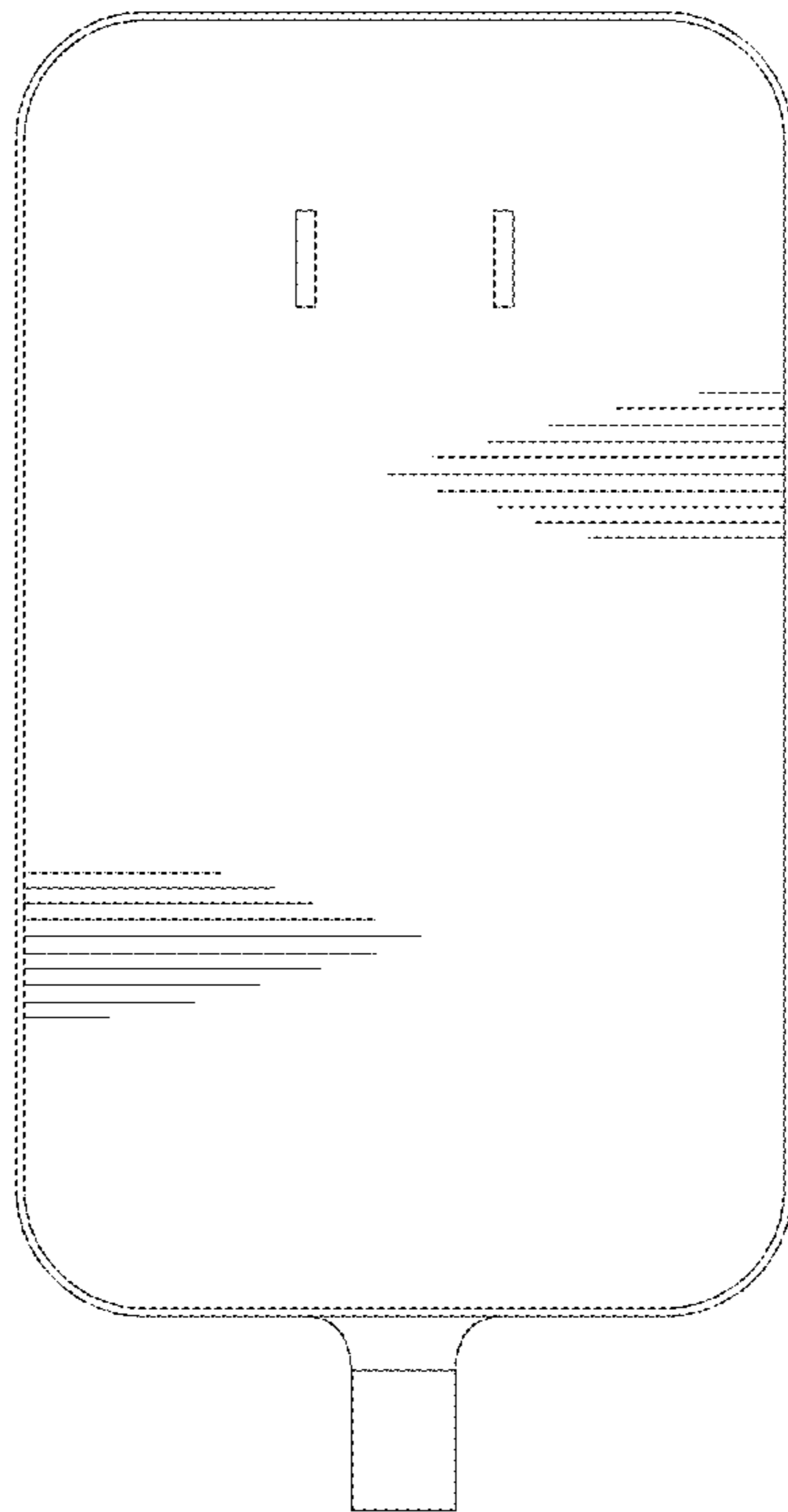


FIG. 2

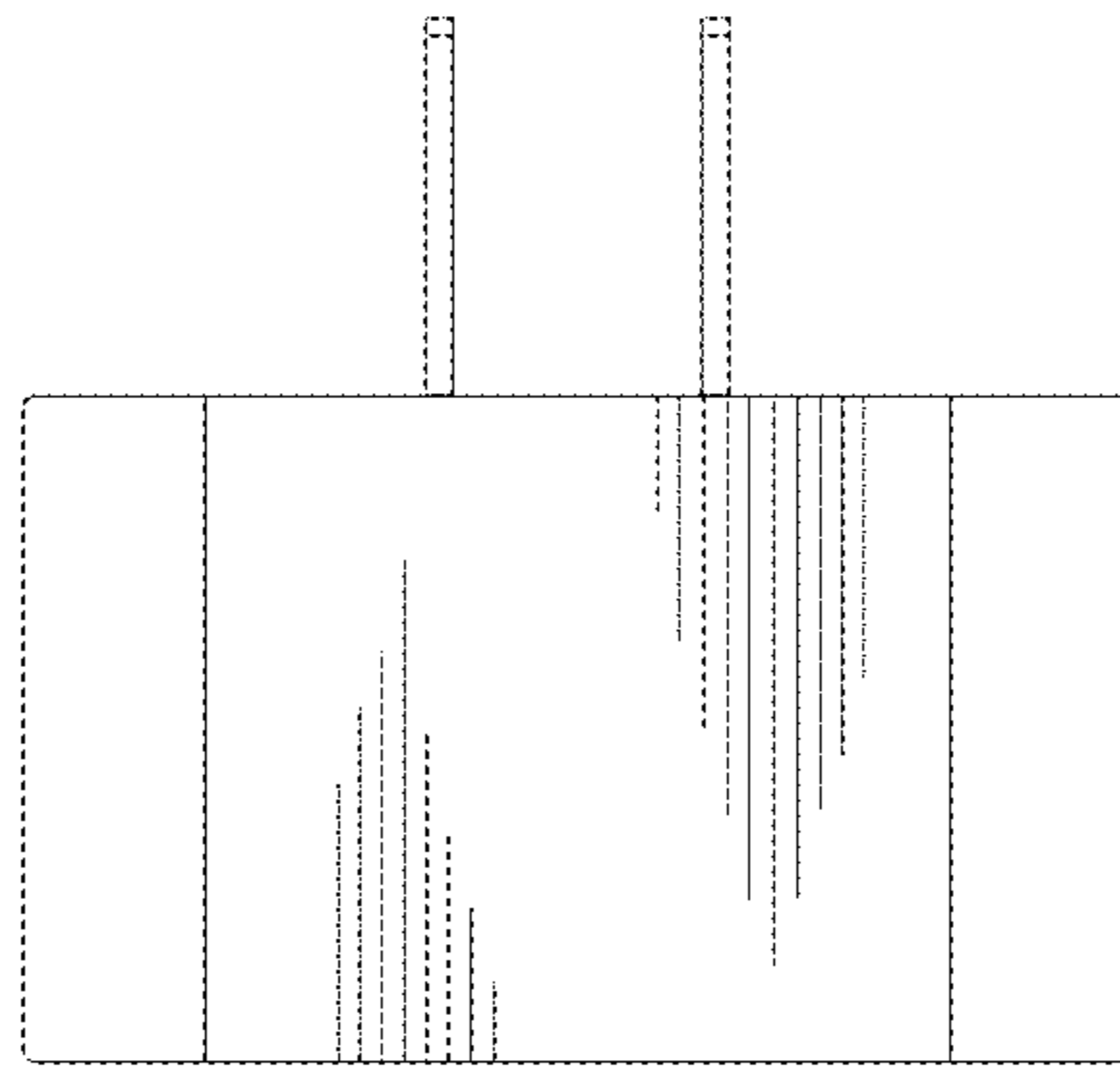


FIG. 3

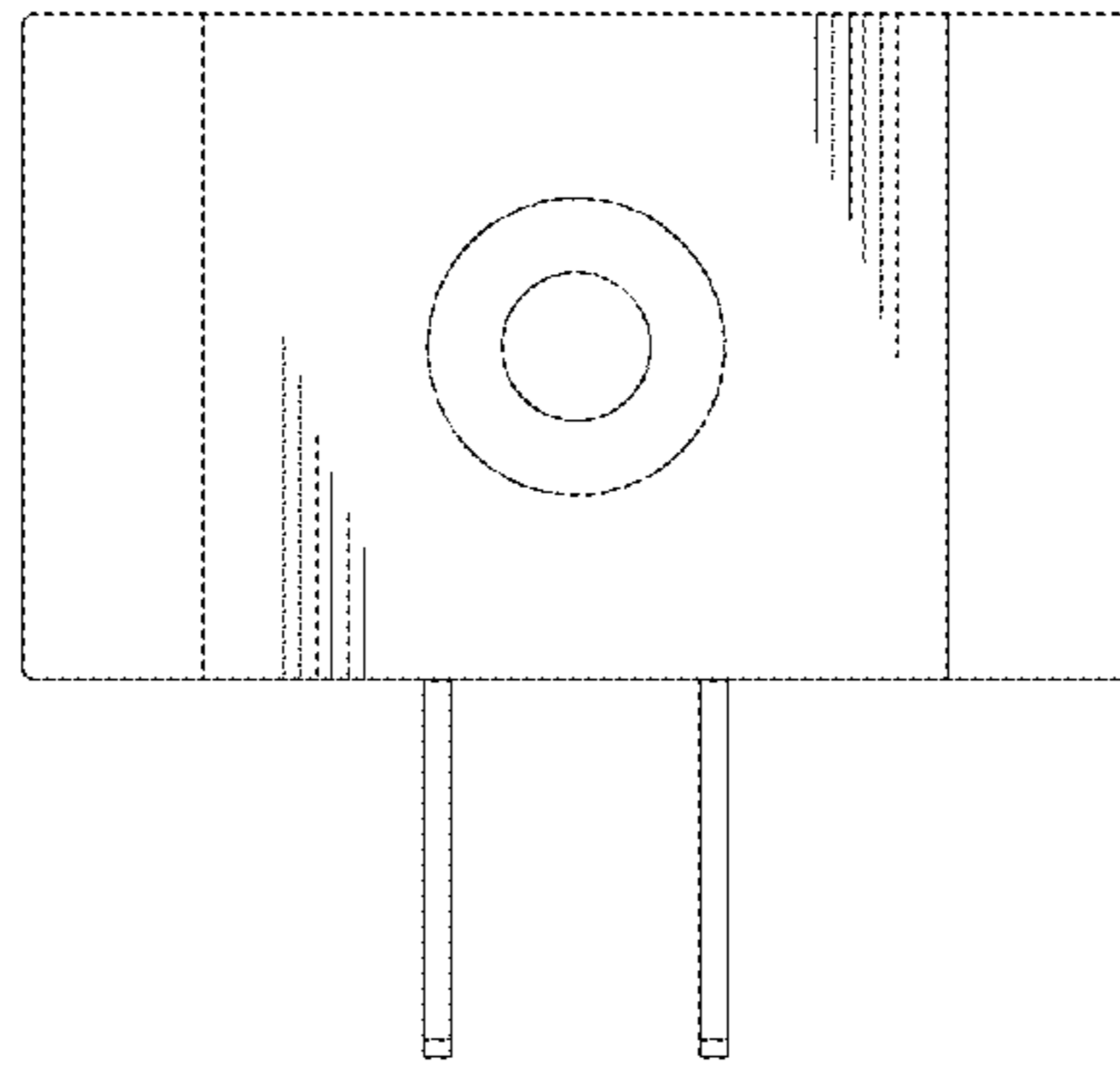


FIG. 4

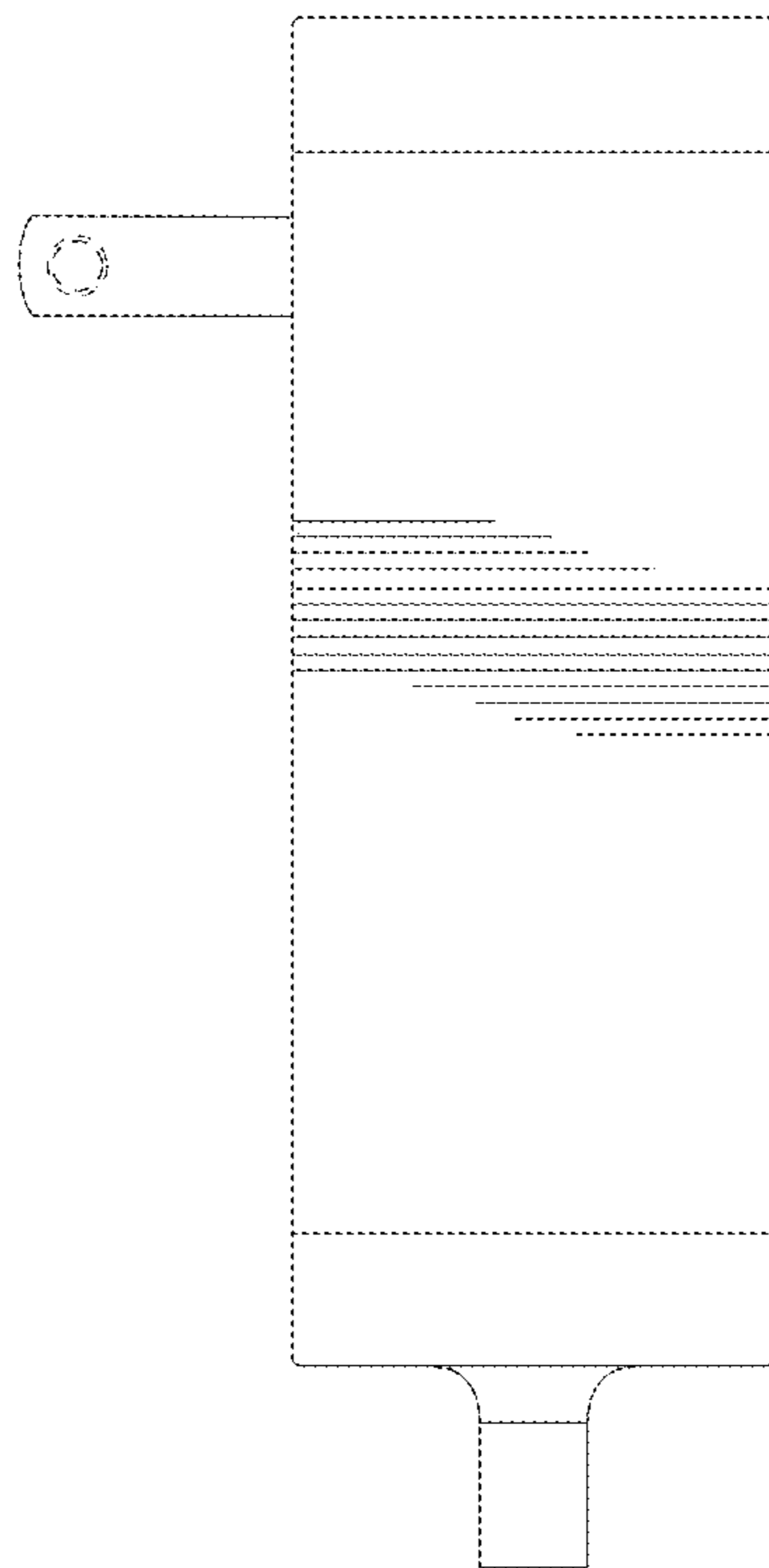


FIG. 5

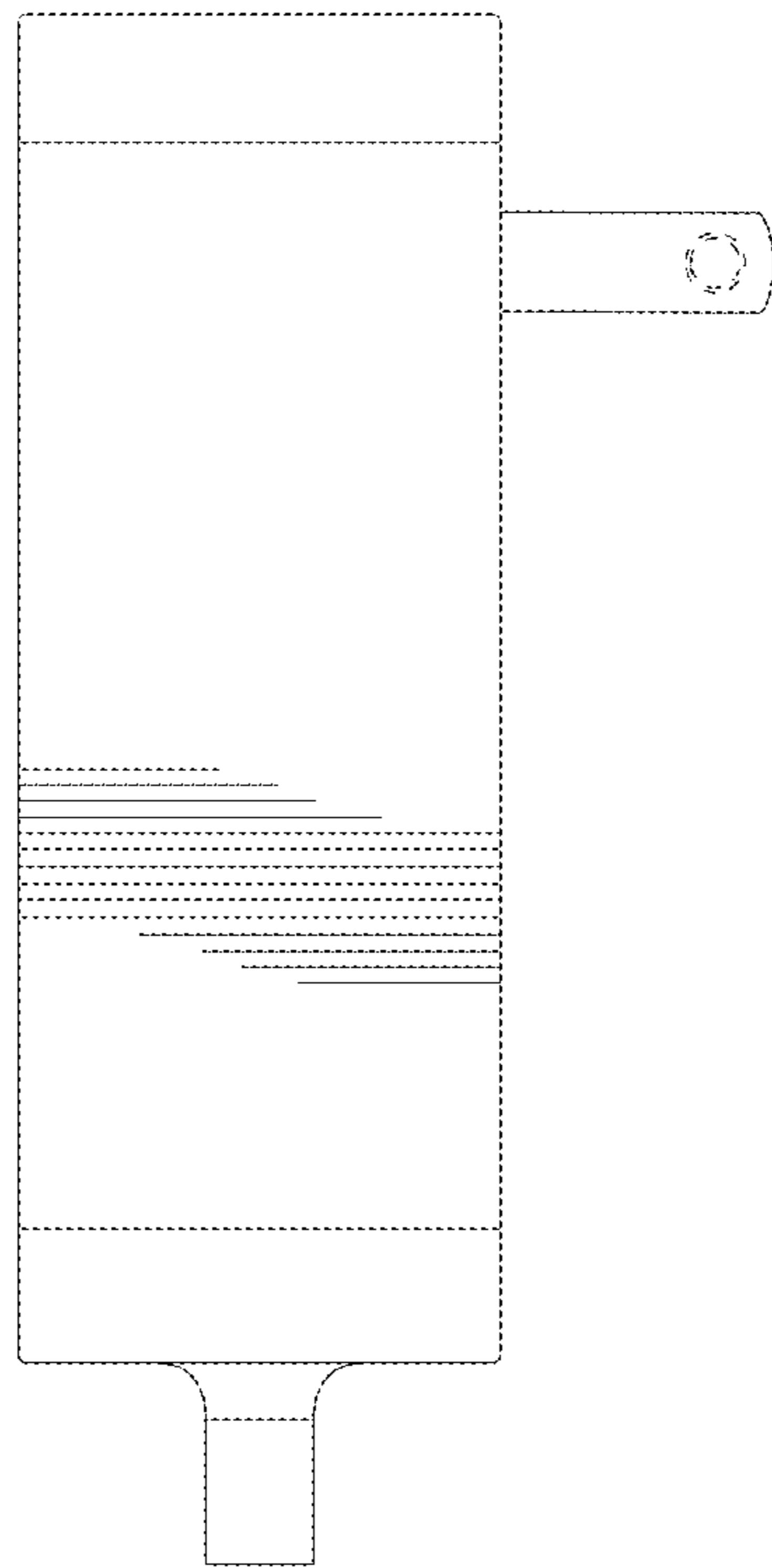


FIG. 6

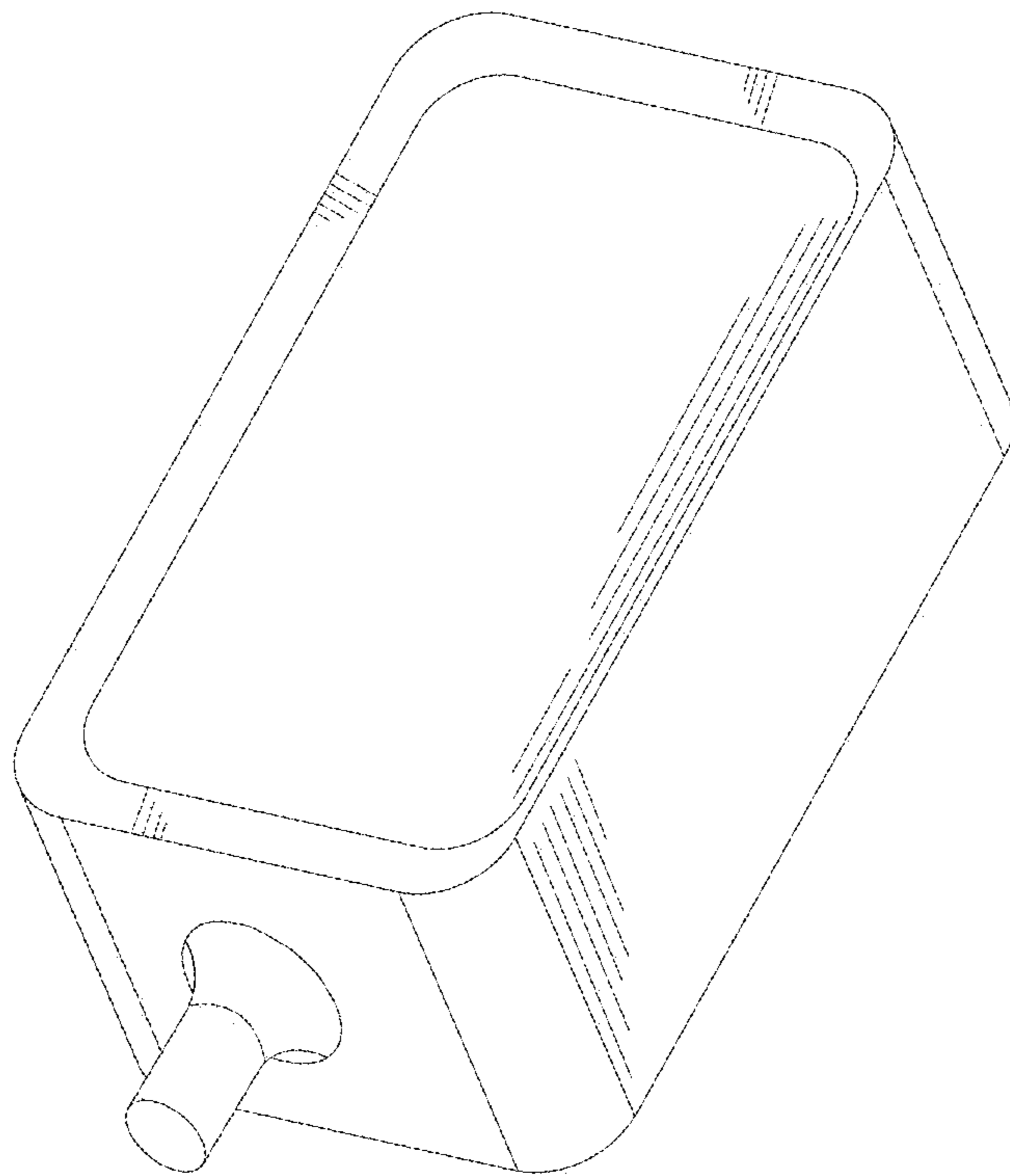


FIG. 7