



US00D908091S

(12) **United States Design Patent**
Tao

(10) **Patent No.:** **US D908,091 S**

(45) **Date of Patent:** **** Jan. 19, 2021**

(54) **VERTICAL SOCKET STRIP**

(71) Applicant: **Ningbo Litesun Electric Co., Ltd.,**
Zhejiang (CN)

(72) Inventor: **Jiahuan Tao, Yuyao (CN)**

(73) Assignee: **Ningbo Litesun Electric Co., Ltd.,**
Zhejiang (CN)

(**) Term: **15 Years**

(21) Appl. No.: **29/676,237**

(22) Filed: **Jan. 9, 2019**

(51) **LOC (13) Cl.** **13-03**

(52) **U.S. Cl.**
USPC **D13/137.3**

(58) **Field of Classification Search**
USPC D13/107, 108, 110, 133, 137.1, 137.2,
D13/137.3, 137.4, 138.1, 138.2, 139.1,
D13/139.2, 139.3, 139.4, 139.6, 139.7,
D13/139.8, 146, 154, 156, 158, 177, 184,
D13/199; D14/432, 433; D10/40
CPC H01R 13/46; H01R 24/76; H01R 13/44
See application file for complete search history.

(56) **References Cited**

U.S. PATENT DOCUMENTS

- 3,104,064 A * 9/1963 Bellek F21V 21/0824
362/267
- D355,890 S * 2/1995 Lentz D13/139.4
- 6,273,578 B1 * 8/2001 Lai F21V 21/0824
174/58
- D511,696 S * 11/2005 Stekelenburg D10/40
- D515,503 S * 2/2006 Lee D13/139.4
- D573,096 S * 7/2008 Guercio D13/139.4
- 7,544,082 B1 * 6/2009 Halvorsen H01R 13/5213
174/135

- D638,360 S * 5/2011 Kan D13/139.4
- D685,328 S * 7/2013 Kirtland D13/137.2
- D692,325 S * 10/2013 Meyer D10/40
- D720,294 S * 12/2014 Wu D13/139.1
- D817,888 S * 5/2018 Yu D13/139.1
- D867,296 S * 11/2019 Cheng D13/137.4

OTHER PUBLICATIONS

“Kasonic Outdoor Power Stake”. Found online Jun. 5, 2020 at amazon.com. Reference dated Oct. 10, 2017. Retrieved from https://www.amazon.com/Kasonic-Weatherproof-Extension-Certified-Multi-Outlets/dp/B07F23SW7F/ref=sr_1_3. (Year: 2017).*

(Continued)

Primary Examiner — Kendra Leslie Hamilton

Assistant Examiner — Amanda Christensen

(74) *Attorney, Agent, or Firm* — Greensfelder, Hemker & Gale, P.C.; Richard C. Himelhoch

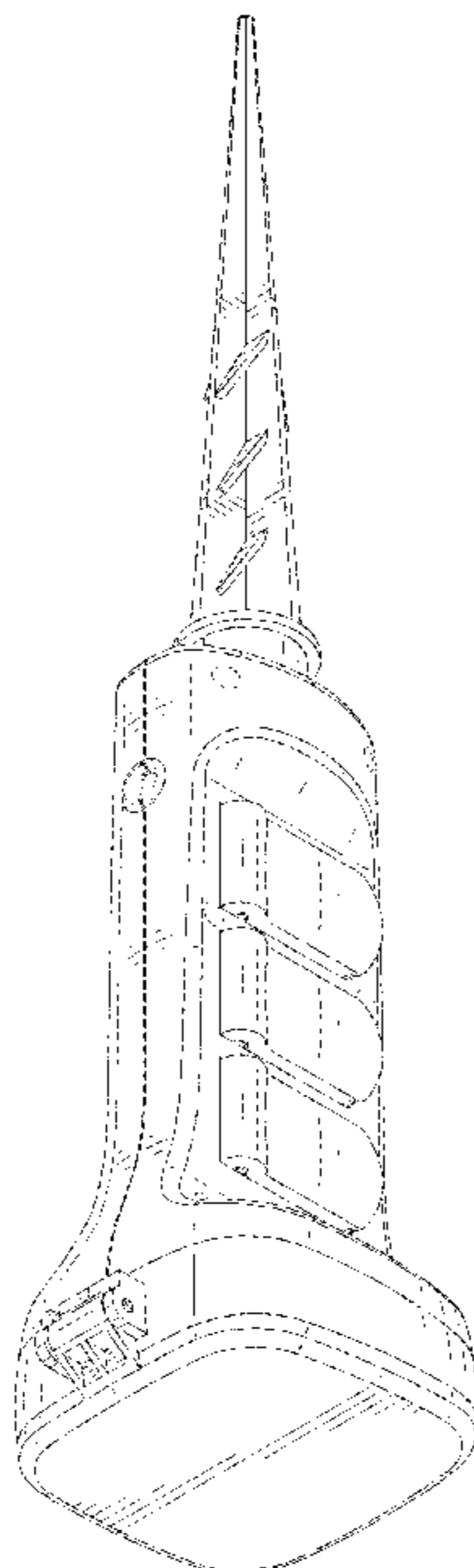
(57) **CLAIM**

I claim the ornamental design for a vertical socket strip, as shown and described.

DESCRIPTION

FIG. 1 is a top, front perspective view of a vertical socket strip, showing my new design;
FIG. 2 is top, rear perspective view thereof;
FIG. 3 is a bottom, front perspective view thereof;
FIG. 4 is a bottom, rear perspective view thereof;
FIG. 5 is a front elevation view thereof;
FIG. 6 is a rear elevation view thereof;
FIG. 7 is a right side elevation view thereof;
FIG. 8 is a left side elevation view thereof;
FIG. 9 is a top plan view thereof; and,
FIG. 10 is a bottom plan view thereof.
The broken lines depict portions of the vertical socket strip that form no part of the claimed design.

1 Claim, 10 Drawing Sheets



(56)

References Cited

OTHER PUBLICATIONS

“BESTTEN Outdoor Power Stake”. Found online Jun. 5, 2020 at amazon.com. Reference dated Apr. 29, 2016. Retrieved from https://www.amazon.com/BESTTEN-Outdoor-Weatherproof-Extension-Certified/dp/B07DZP6JZ1/ref=sr_1_5. (Year: 2016).*

“Arlington Industries Lighting Post”. Found online Jun. 11, 2020 at amazon.com. Reference dated Nov. 17, 2015. Retrieved from https://www.amazon.com/Gard-N-Post-Low-Profile-Landscape-Enclosure-19-5-Inch/dp/B003O85DEI/ref=sr_1_1?th=1. (Year: 2015).*

“Howard Berger Outlet Outdoor Power Stake”. Found online Jun. 16, 2020 at walmart.com. Reference dated Oct. 17, 2013. Retrieved from https://tineye.com/search/a87fe90d6ae0fb0582c54eaaef39955cddaa0827?page=1&extension_ver=chrome-1.3.0. (Year: 2013).*

* cited by examiner

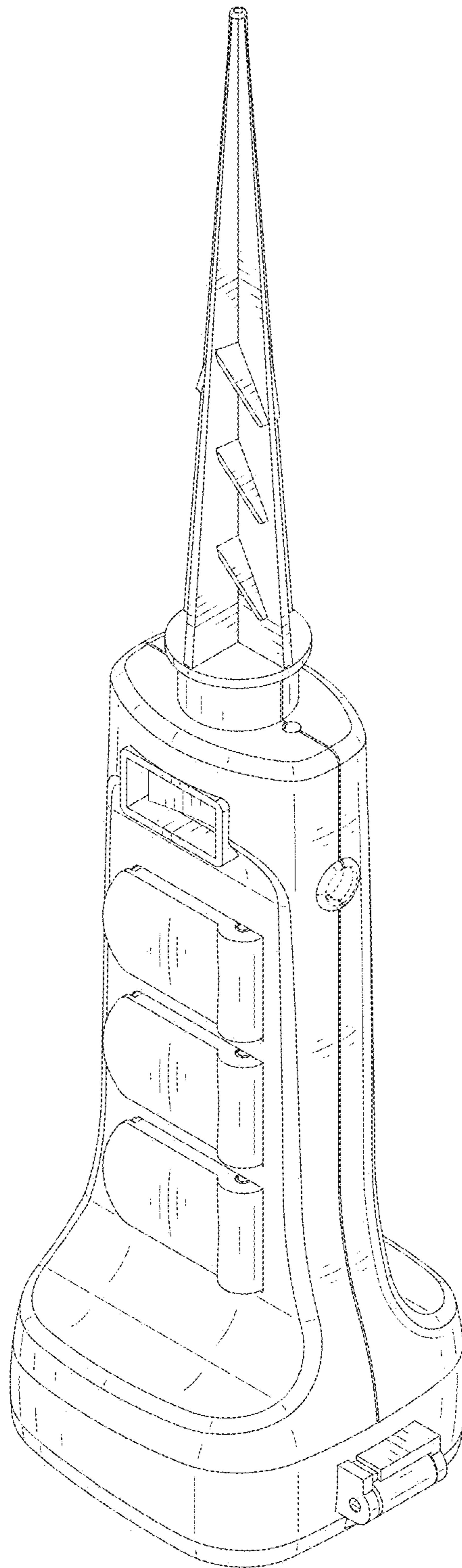


FIG.1

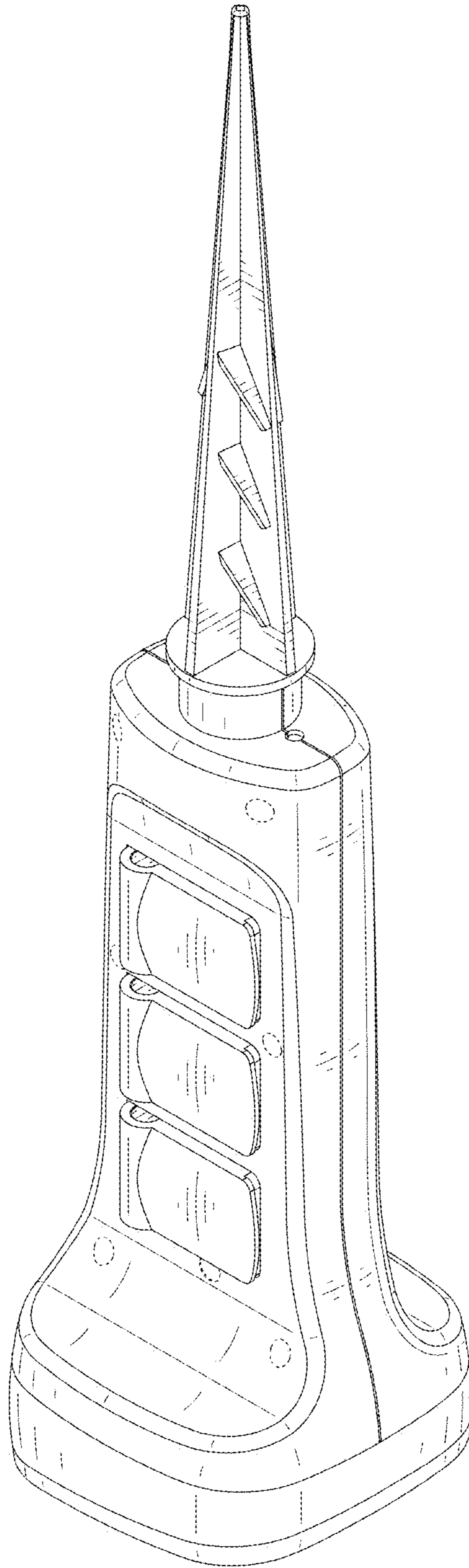


FIG.2

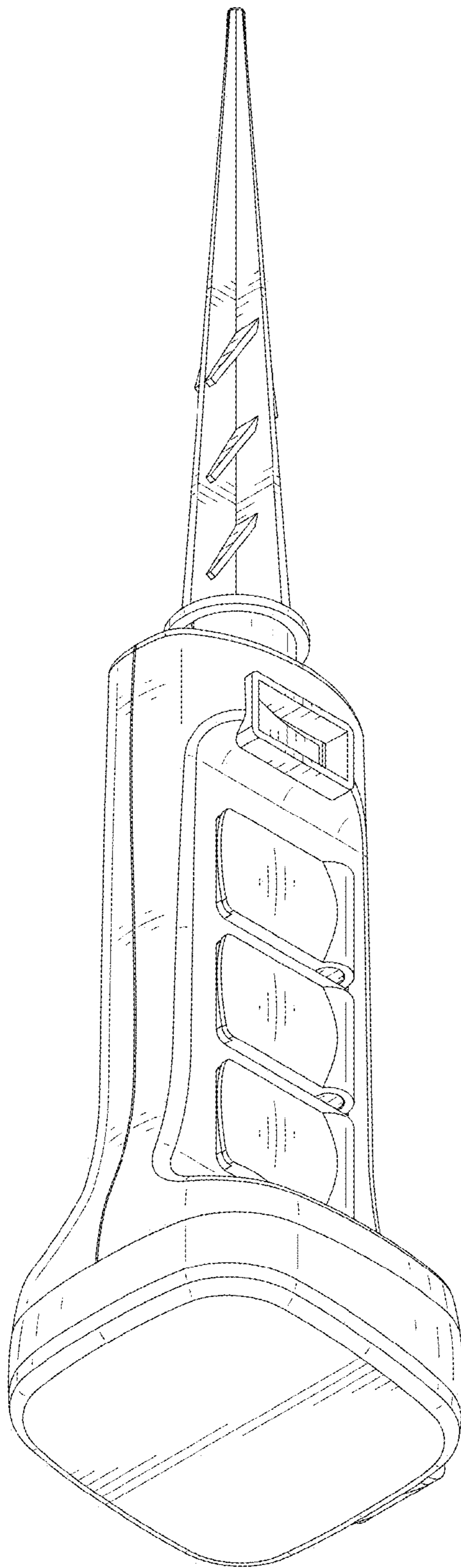


FIG.3

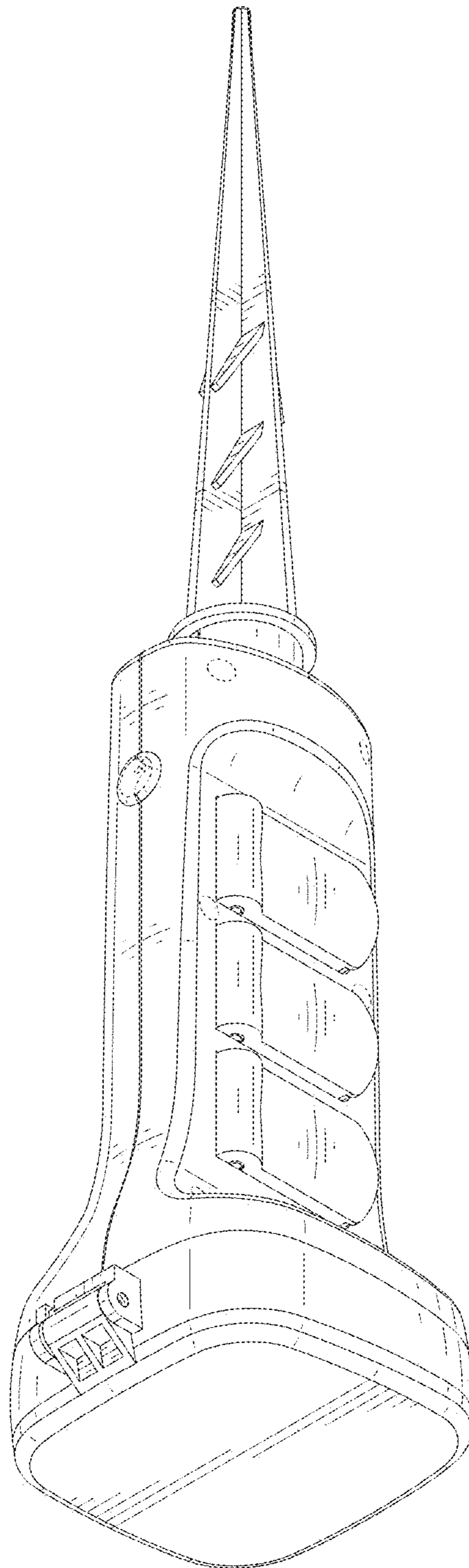


FIG.4

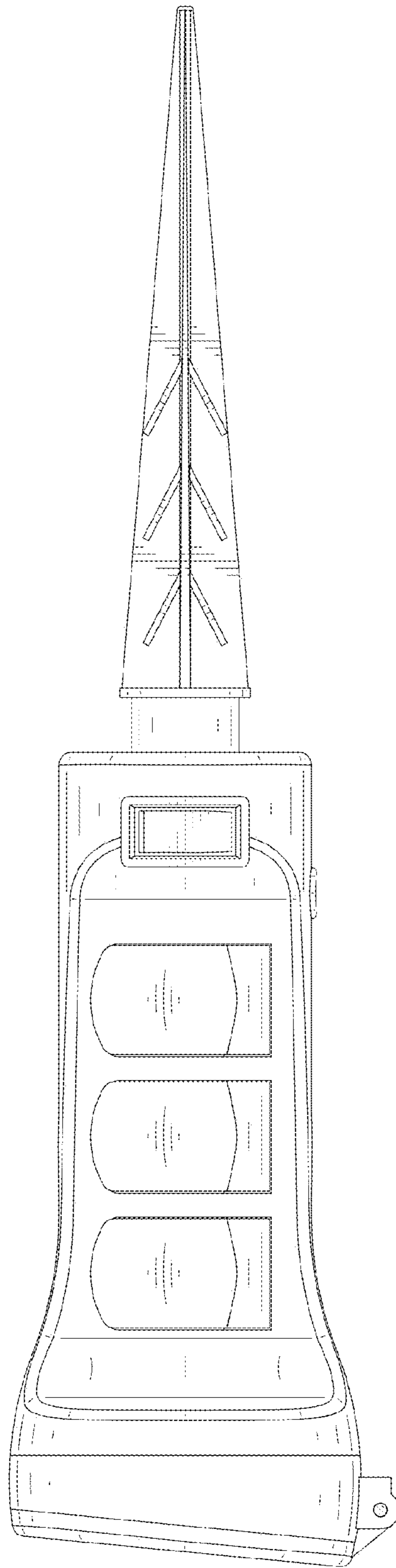


FIG.5

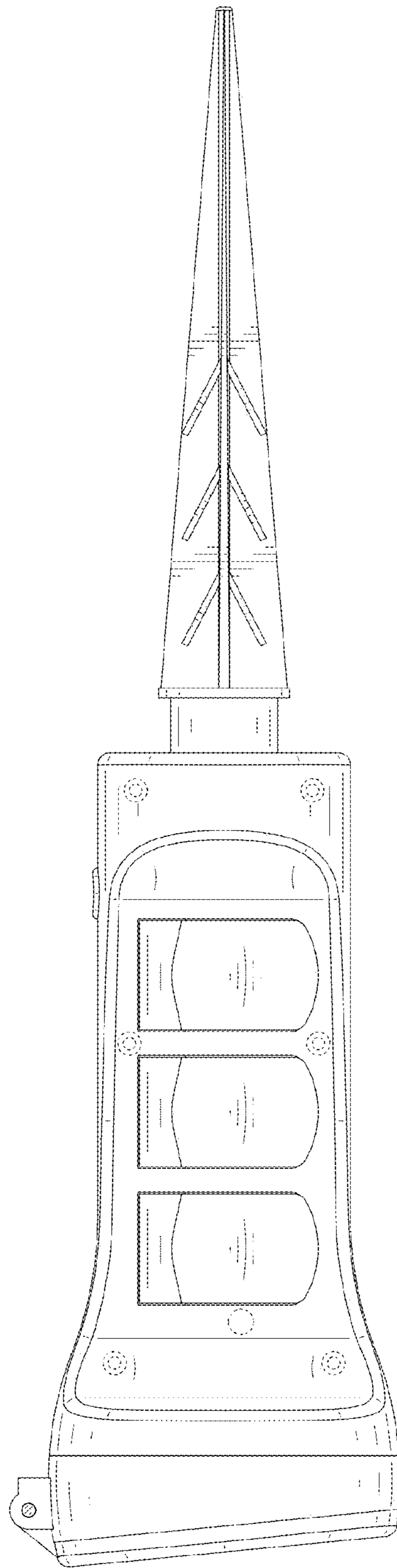


FIG.6

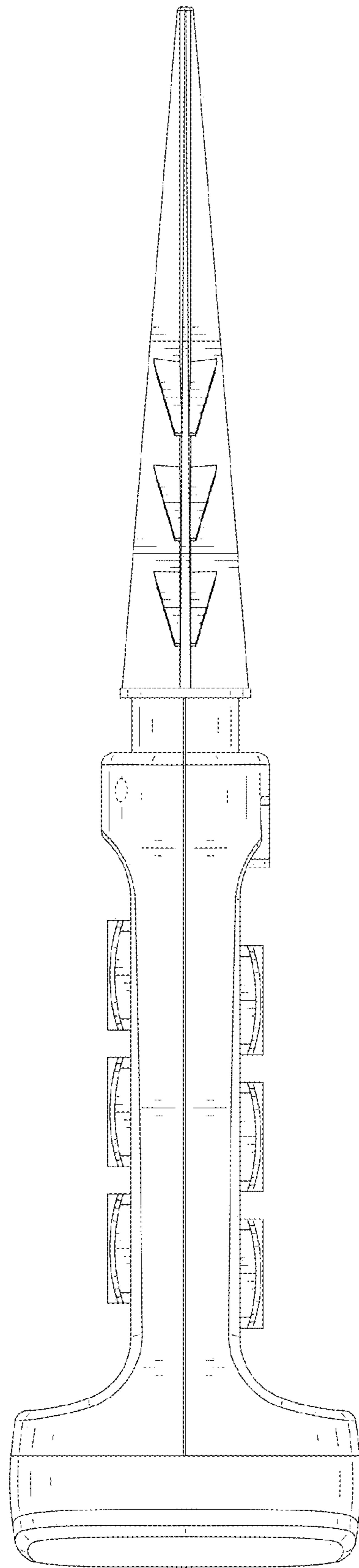


FIG.7

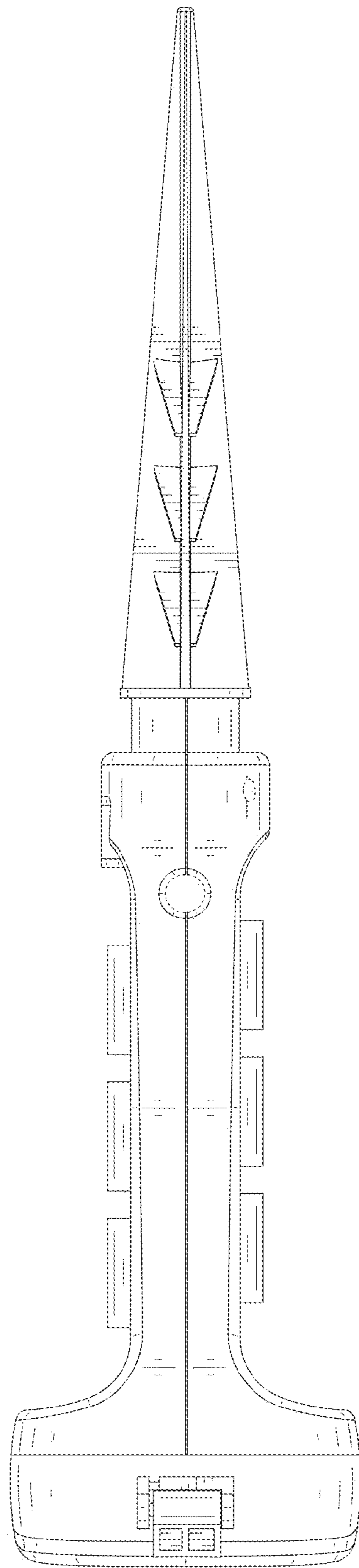


FIG.8

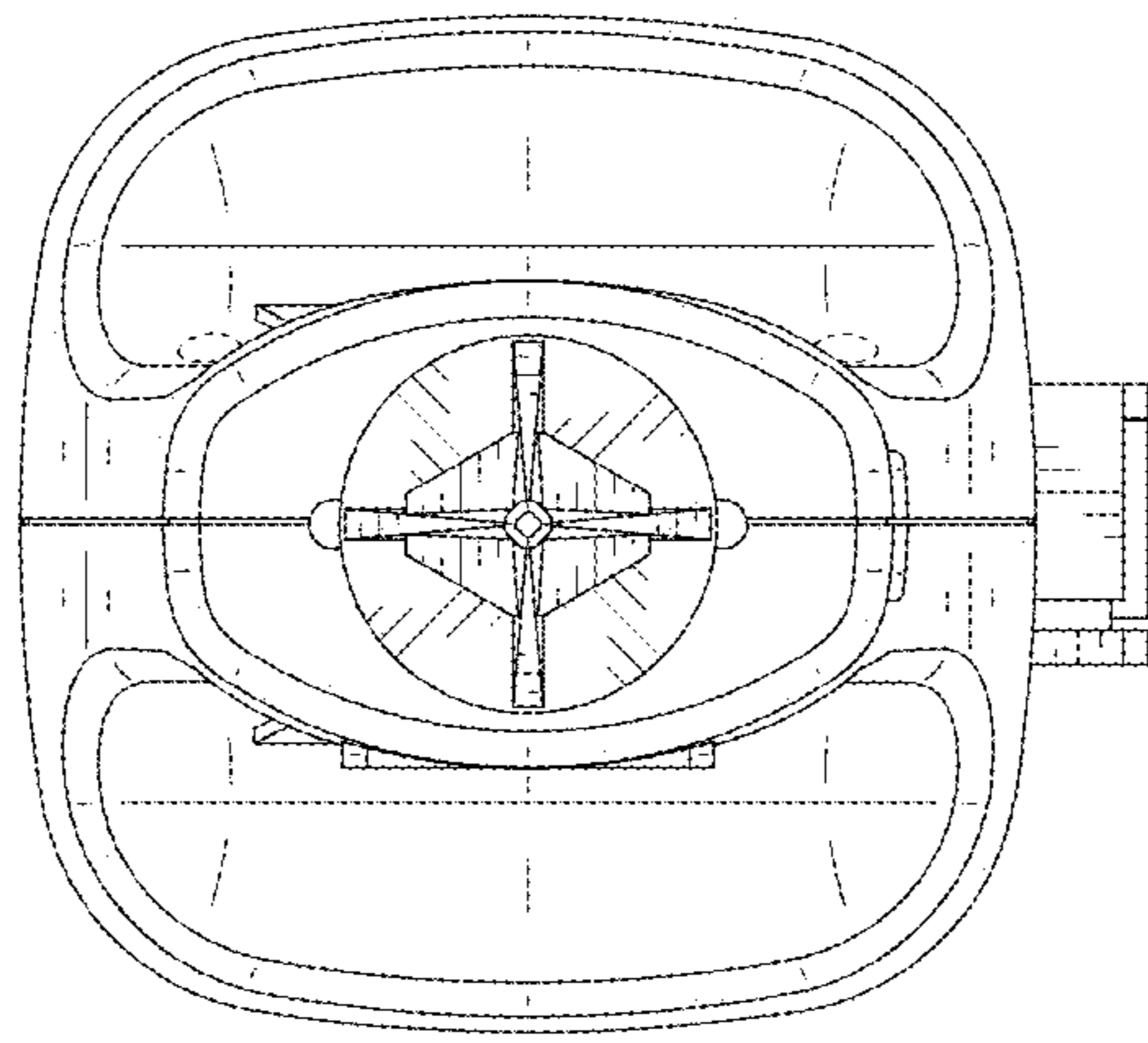


FIG.9

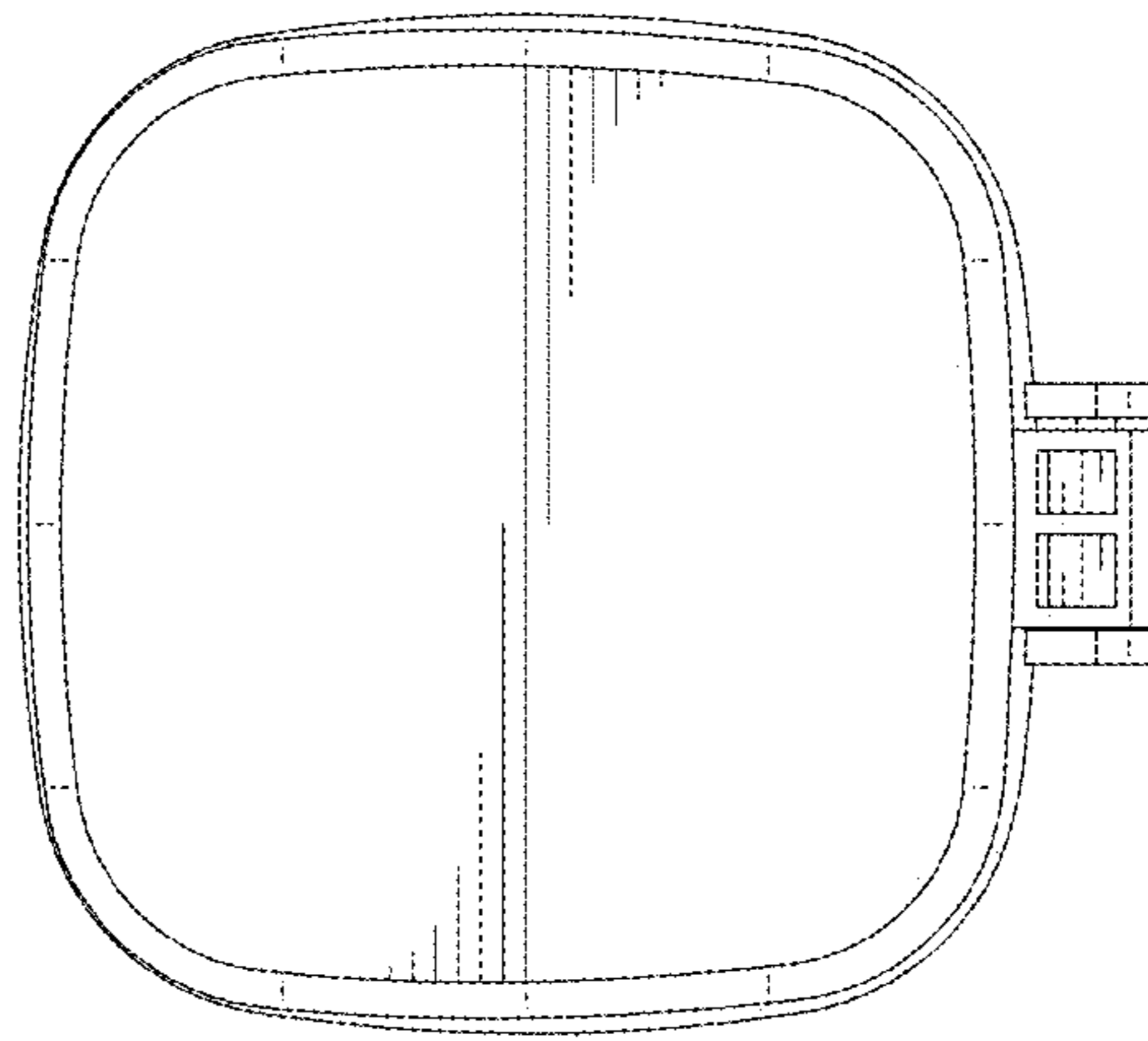


FIG.10