



US00D908089S

(12) **United States Design Patent**
Byrne et al.

(10) **Patent No.:** **US D908,089 S**
(45) **Date of Patent:** **** Jan. 19, 2021**

(54) **ELECTRICAL CONNECTOR**

(71) Applicants: **Norman R. Byrne**, Ada, MI (US);
Joseph D. Ward, Grand Rapids, MI (US); **Randell E. Pate**, Jenison, MI (US); **Roger D. Burdi**, Grand Rapids, MI (US)

(72) Inventors: **Norman R. Byrne**, Ada, MI (US);
Joseph D. Ward, Grand Rapids, MI (US); **Randell E. Pate**, Jenison, MI (US); **Roger D. Burdi**, Grand Rapids, MI (US)

(**) Term: **15 Years**

(21) Appl. No.: **29/650,796**

(22) Filed: **Jun. 8, 2018**

(51) **LOC (13) Cl.** **13-03**

(52) **U.S. Cl.**
USPC **D13/133**

(58) **Field of Classification Search**
USPC D13/103, 107, 108, 110, 112, 118, 120,
D13/123, 133, 137.1, 145-147, 149-156,
(Continued)

(56) **References Cited**

U.S. PATENT DOCUMENTS

6,154,597 A * 11/2000 Roth G02B 6/3825
385/139
D842,803 S * 3/2019 Nishizawa D13/108
(Continued)

OTHER PUBLICATIONS

Global Spec. Electrical Connectors Information. No date specified.
https://www.globalspec.com/learnmore/electrical_electronic_components/connectors/connectors_electrical (Year: 0).
(Continued)

Primary Examiner — Darcey E Gottschalk

(74) *Attorney, Agent, or Firm* — Gardner, Linn, Burkhardt & Ondersma LLP

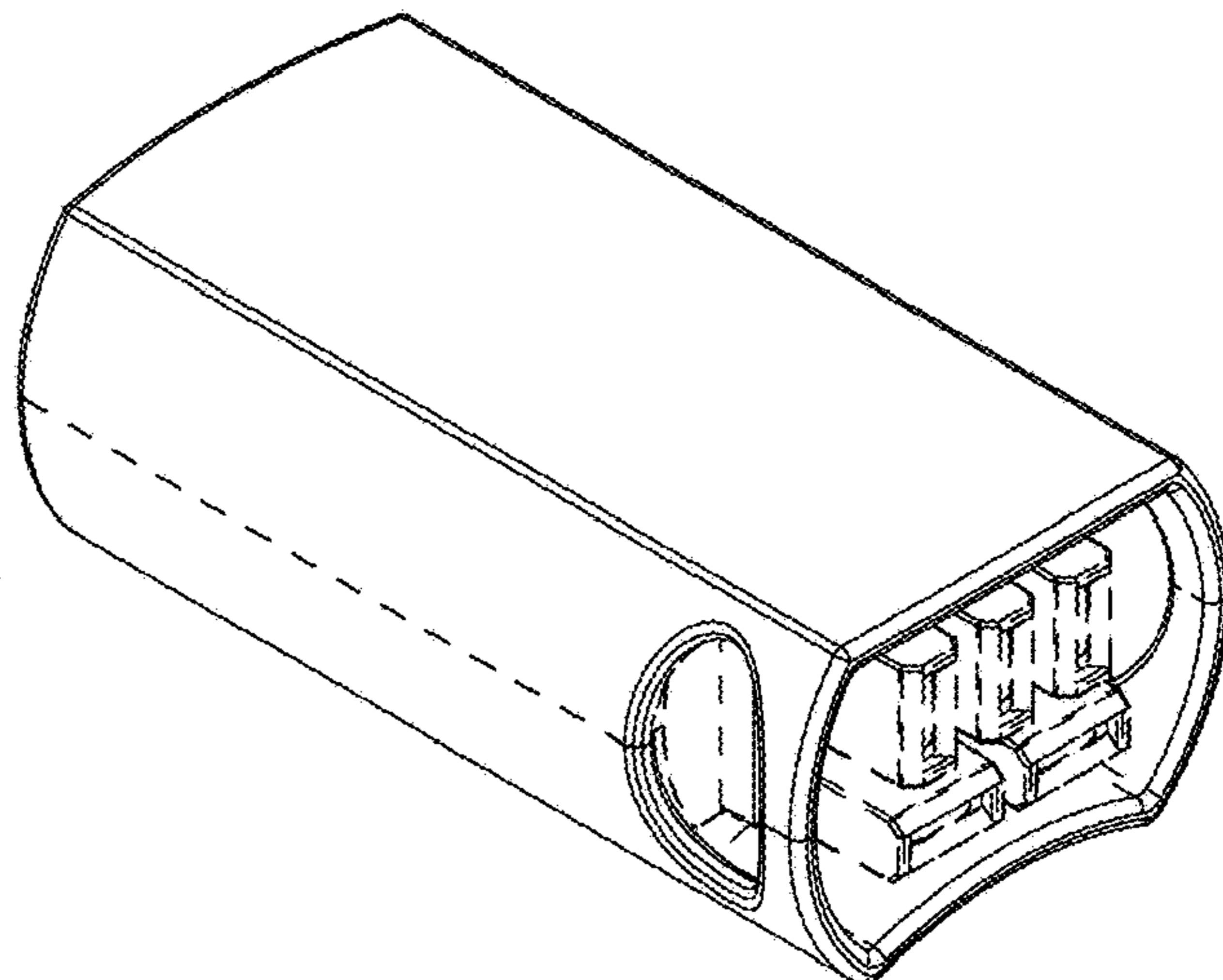
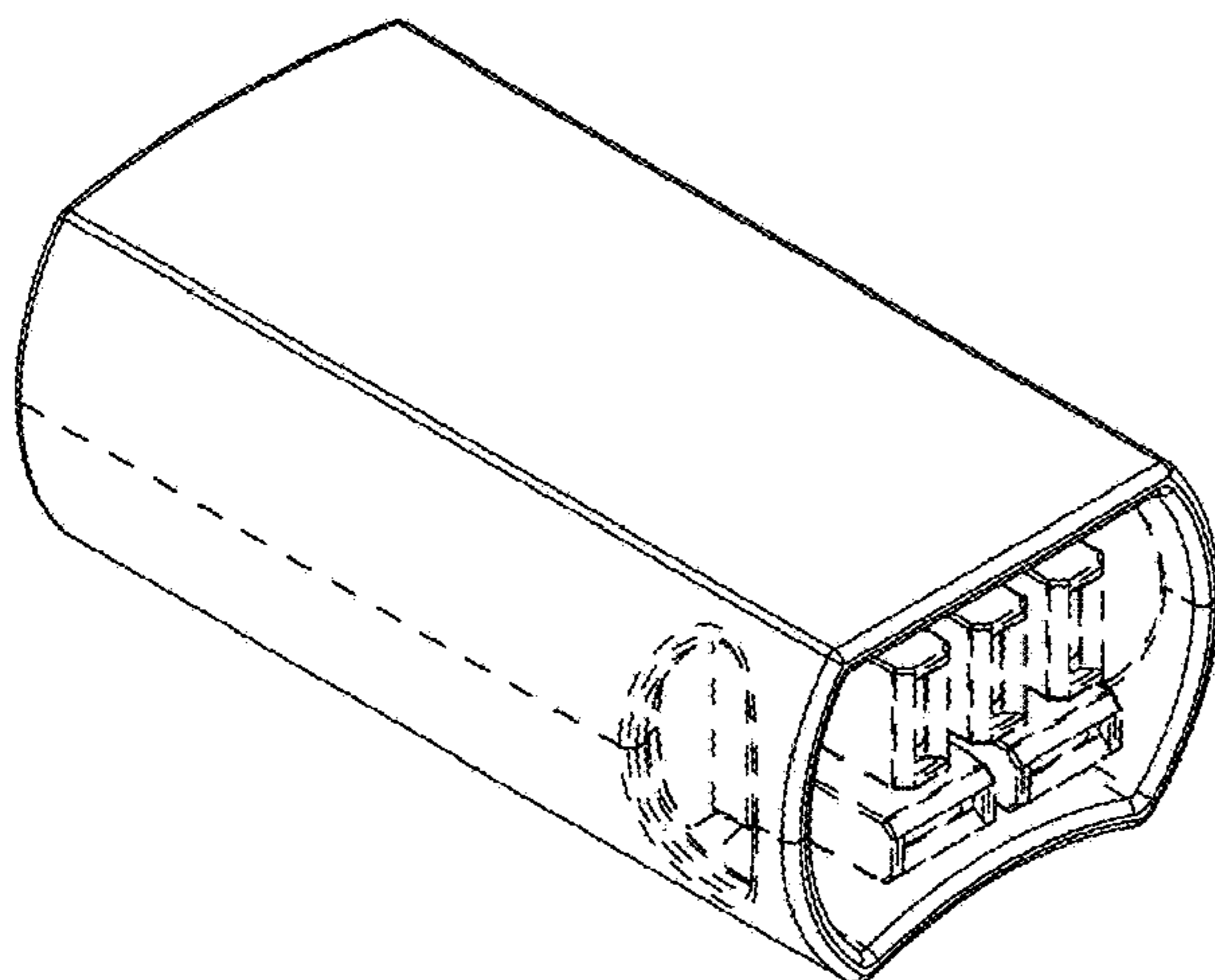
(57) **CLAIM**

The ornamental design for an electrical connector, as shown and described.

DESCRIPTION

FIG. 1 is a front perspective view of an electrical connector showing our new design, viewed from above and to the right;
FIG. 2 is another front perspective view thereof, viewed from below and to the left;
FIG. 3 is a rear perspective view thereof, viewed from above and to the left;
FIG. 4 is another rear perspective view thereof, viewed from below and to the right;
FIG. 5 is a top plan view thereof;
FIG. 6 is a bottom plan view thereof;
FIG. 7 is a right side elevation thereof;
FIG. 8 is a left side elevation thereof;
FIG. 9 is a front end elevation thereof;
FIG. 10 is a rear end elevation thereof;
FIG. 11 is a front perspective view of another electrical connector showing our new design, viewed from above and to the right;
FIG. 12 is another front perspective view thereof, viewed from below and to the left;
FIG. 13 is a rear perspective view thereof, viewed from above and to the left;
FIG. 14 is another rear perspective view thereof, viewed from below and to the right;
FIG. 15 is a top plan view thereof;
FIG. 16 is a bottom plan view thereof;
FIG. 17 is a right side elevation thereof;
FIG. 18 is a left side elevation thereof;
FIG. 19 is a front end elevation thereof; and,
FIG. 20 is a rear end elevation thereof.
In the drawings, the broken lines depict unclaimed subject matter only and form no part of the claimed design.

1 Claim, 4 Drawing Sheets



(58) **Field of Classification Search**

USPC D13/158, 173, 177, 184, 199, 242;
D14/240, 242, 433, 434, 435.1, 438;
D26/129

CPC H01R 13/6592; H01R 13/506; H01R 13/518;
H01R 13/743

See application file for complete search history.

(56) **References Cited**

U.S. PATENT DOCUMENTS

D854,501 S * 7/2019 Asano D13/133
D858,442 S * 9/2019 Byrne D13/110
D867,989 S * 11/2019 Akana D13/110
2018/0269623 A1 * 9/2018 Okamura H01R 13/506
2018/0358765 A1 * 12/2018 Byrne H01R 25/006
2019/0020146 A1 * 1/2019 Oishi H01R 13/5219

OTHER PUBLICATIONS

Co-pending and commonly-owned Design U.S. Appl. No. 29/644,000,
filed Apr. 13, 2018.

Co-pending and commonly-owned Design U.S. Appl. No. 29/643,998,
filed Apr. 13, 2018.

Co-pending and commonly-owned Design U.S. Appl. No. 29/607,301,
filed Jun. 12, 2017.

* cited by examiner

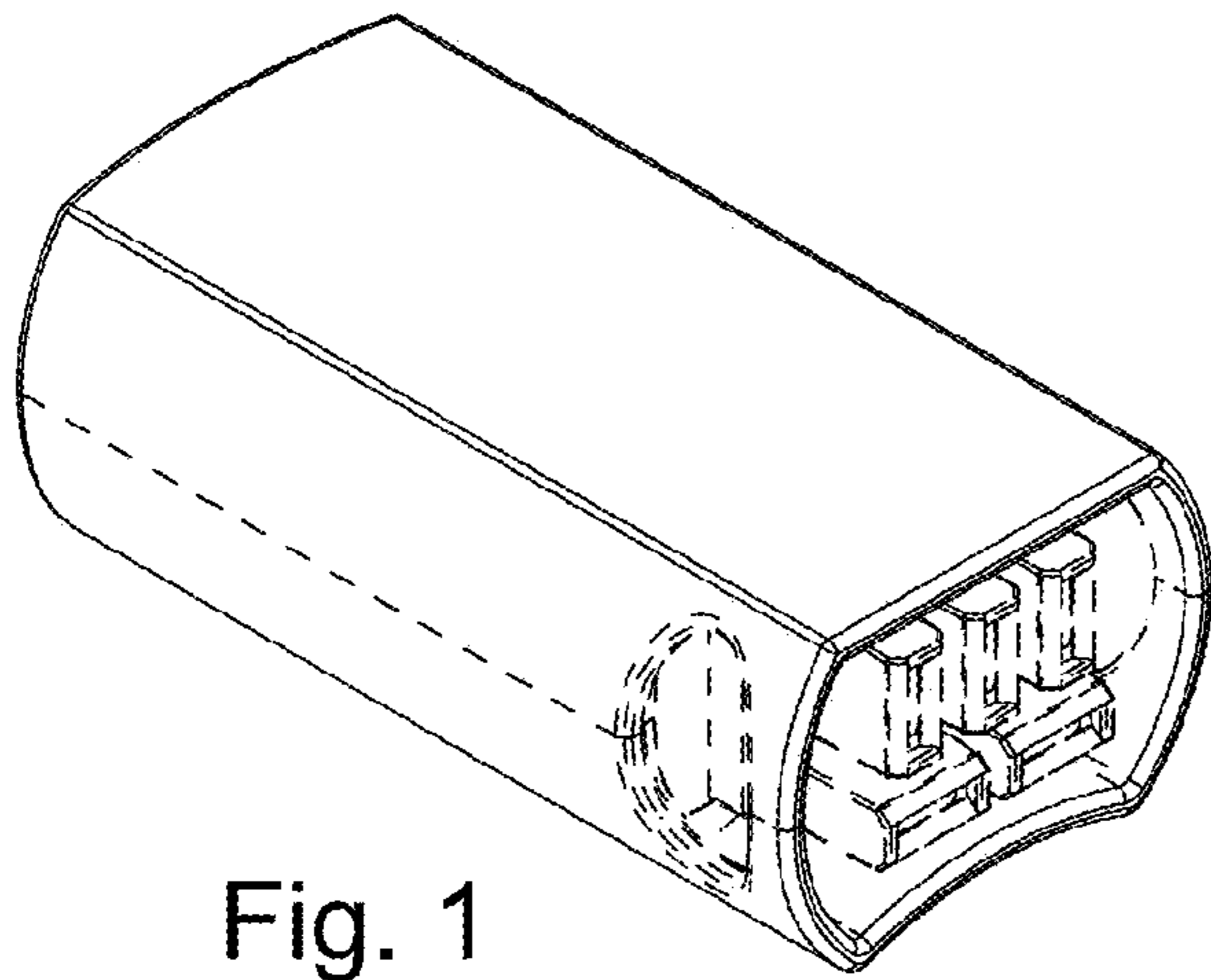


Fig. 1

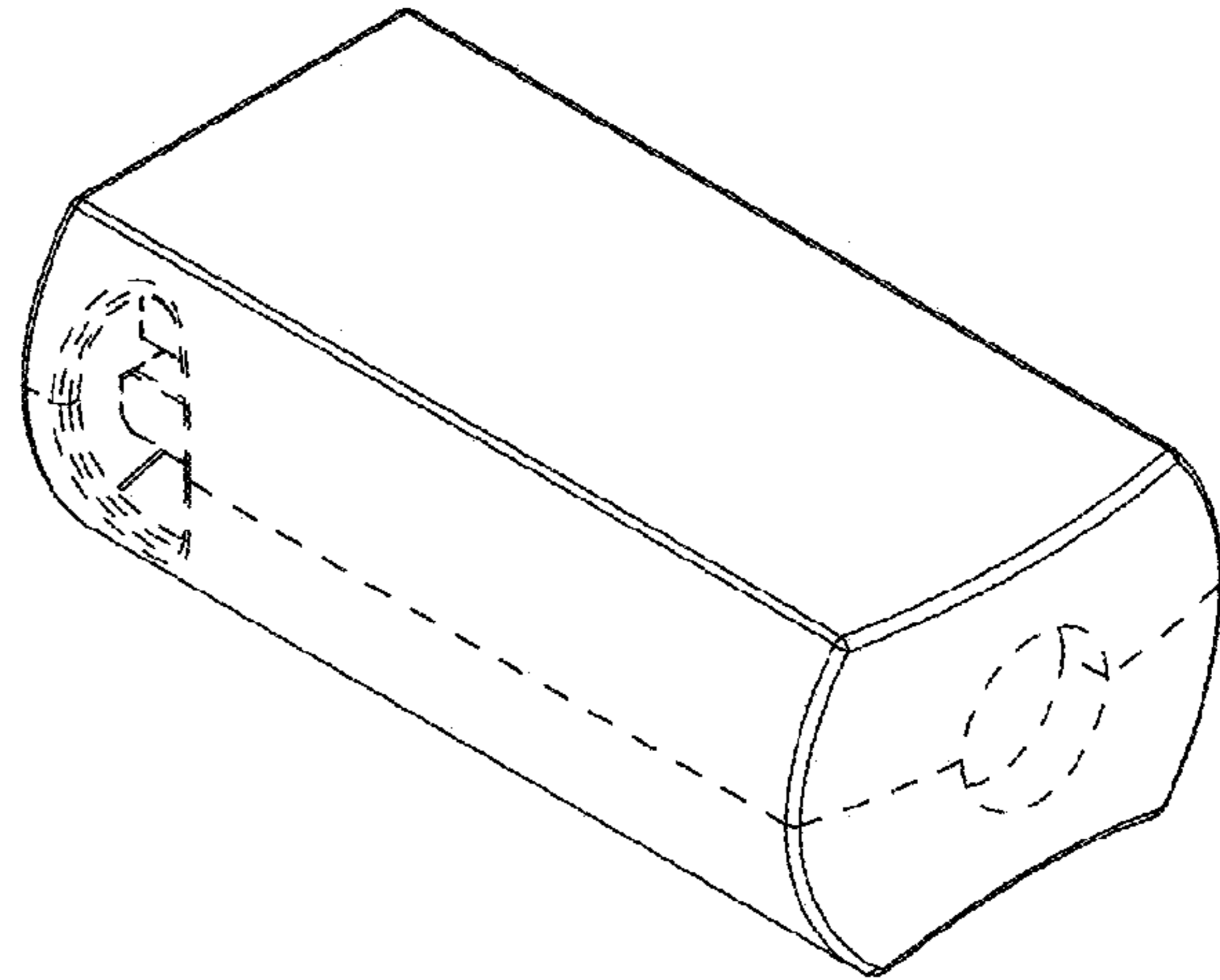


Fig. 3

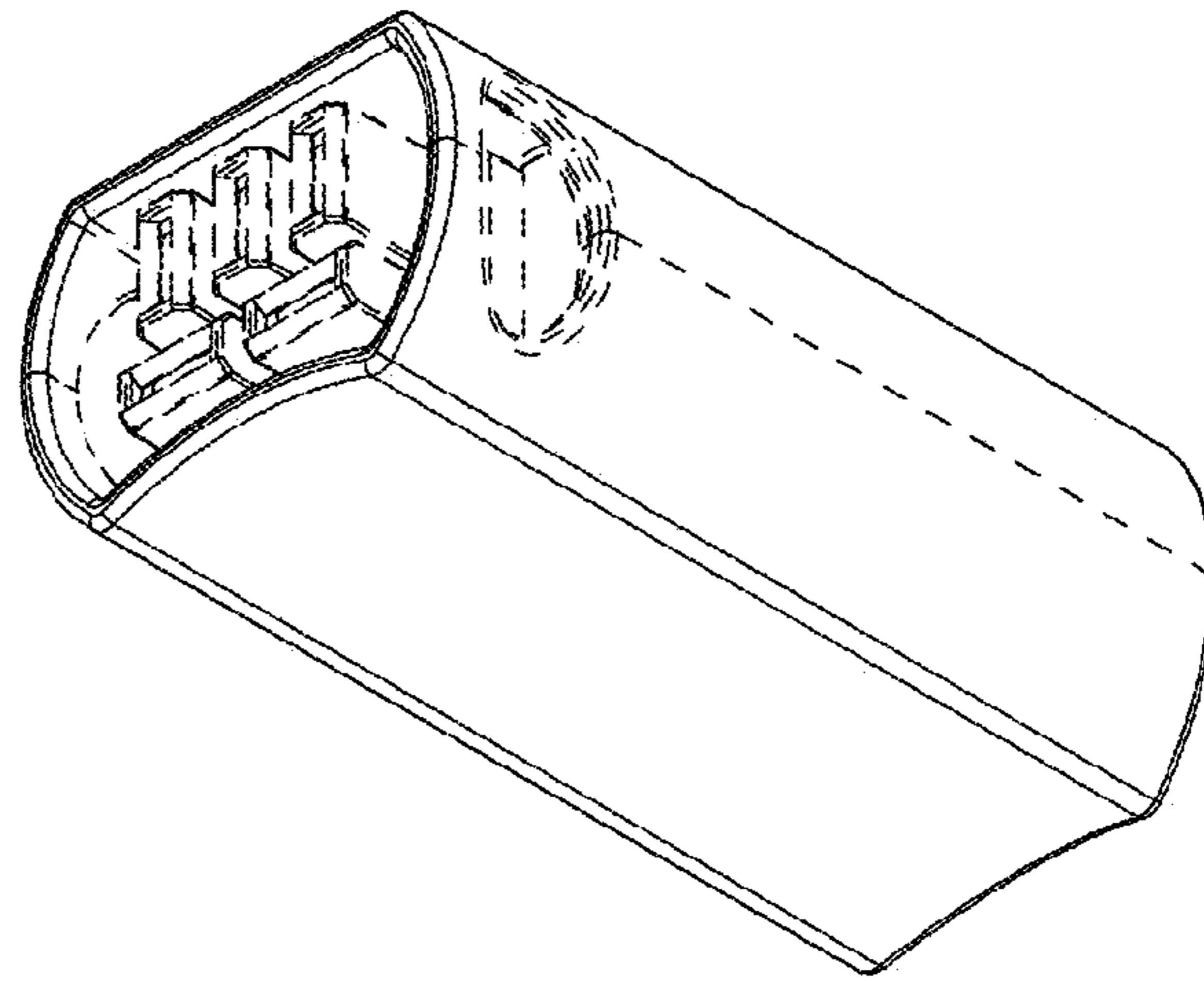


Fig. 2

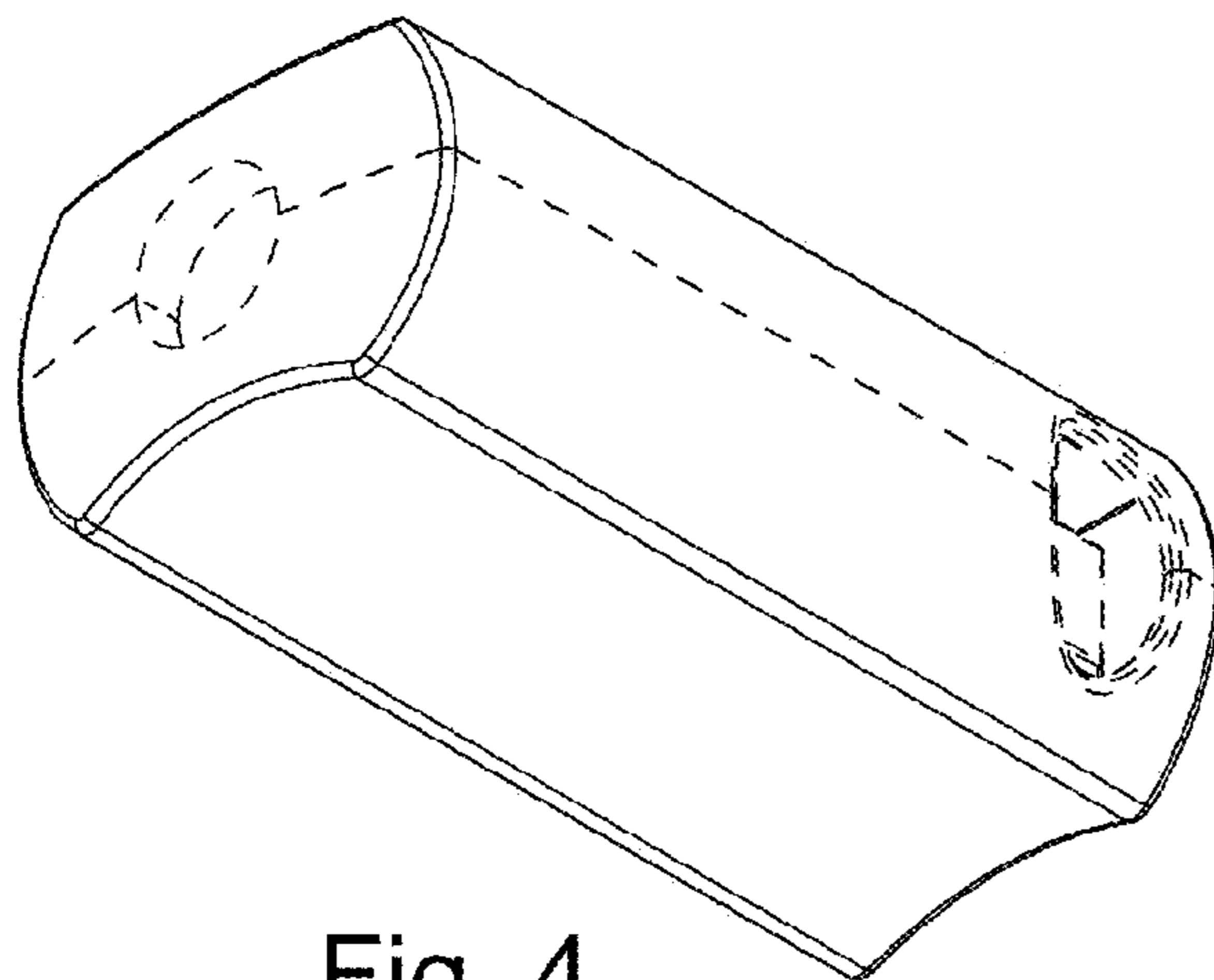


Fig. 4

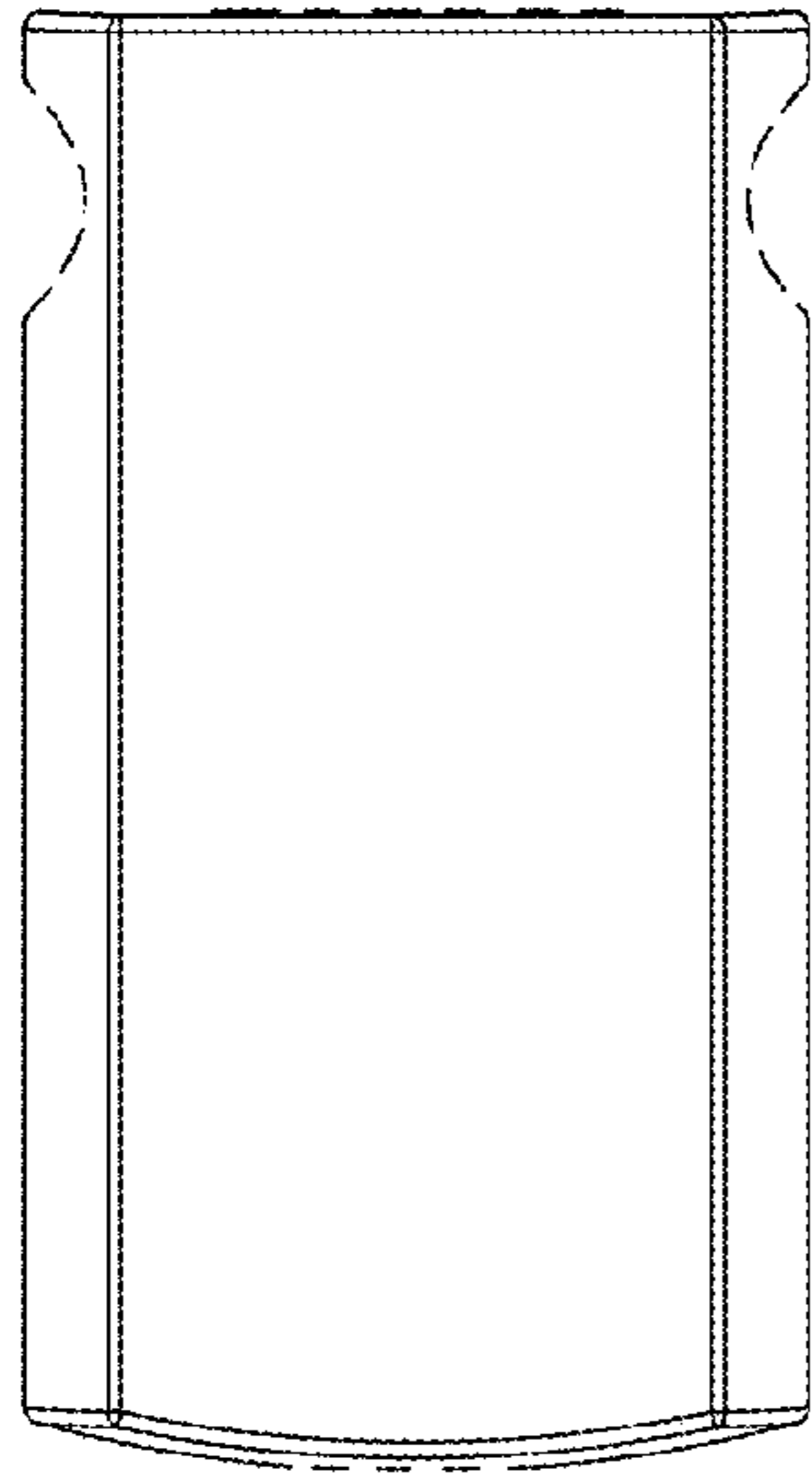


Fig. 5

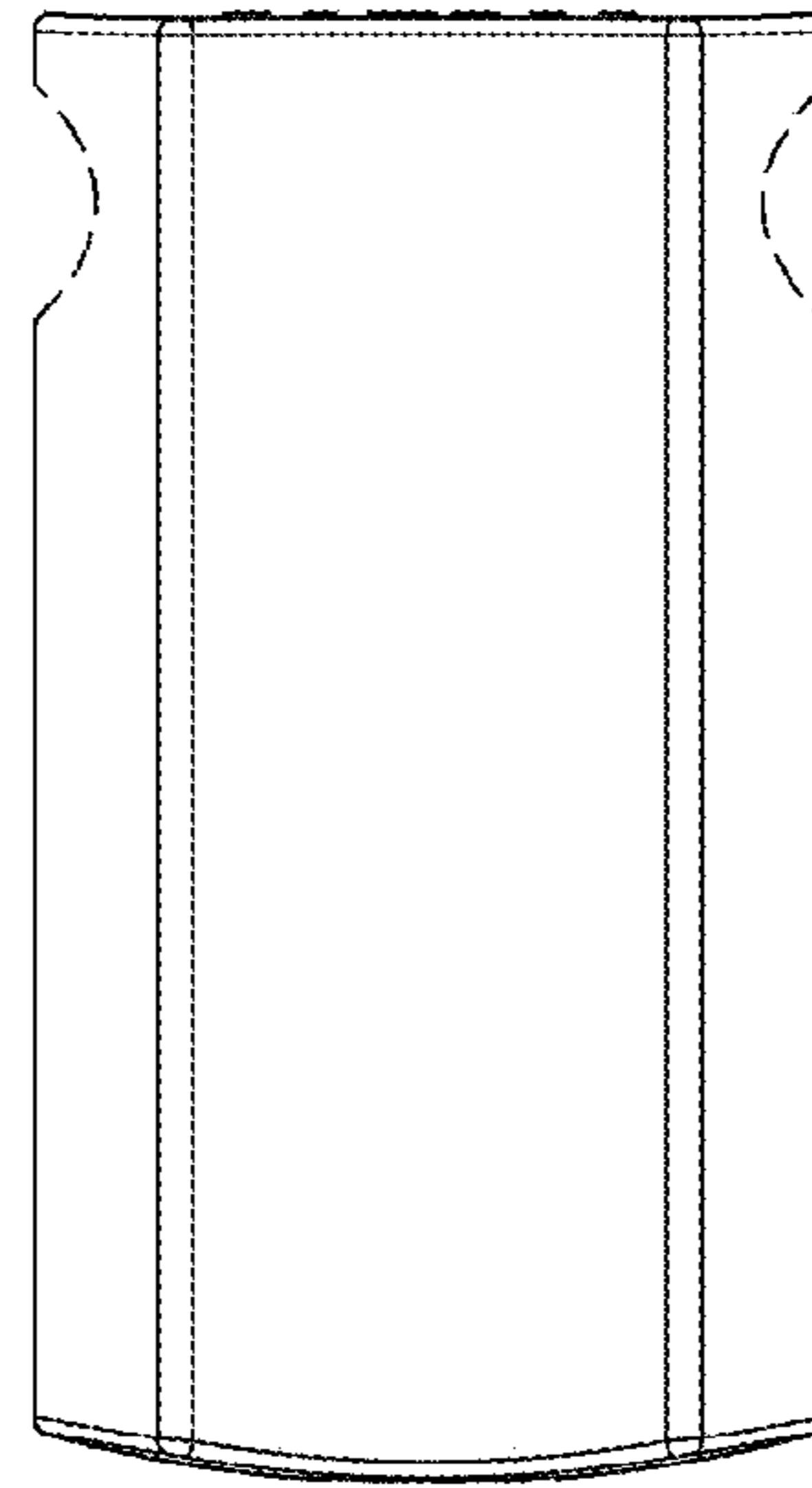


Fig. 6

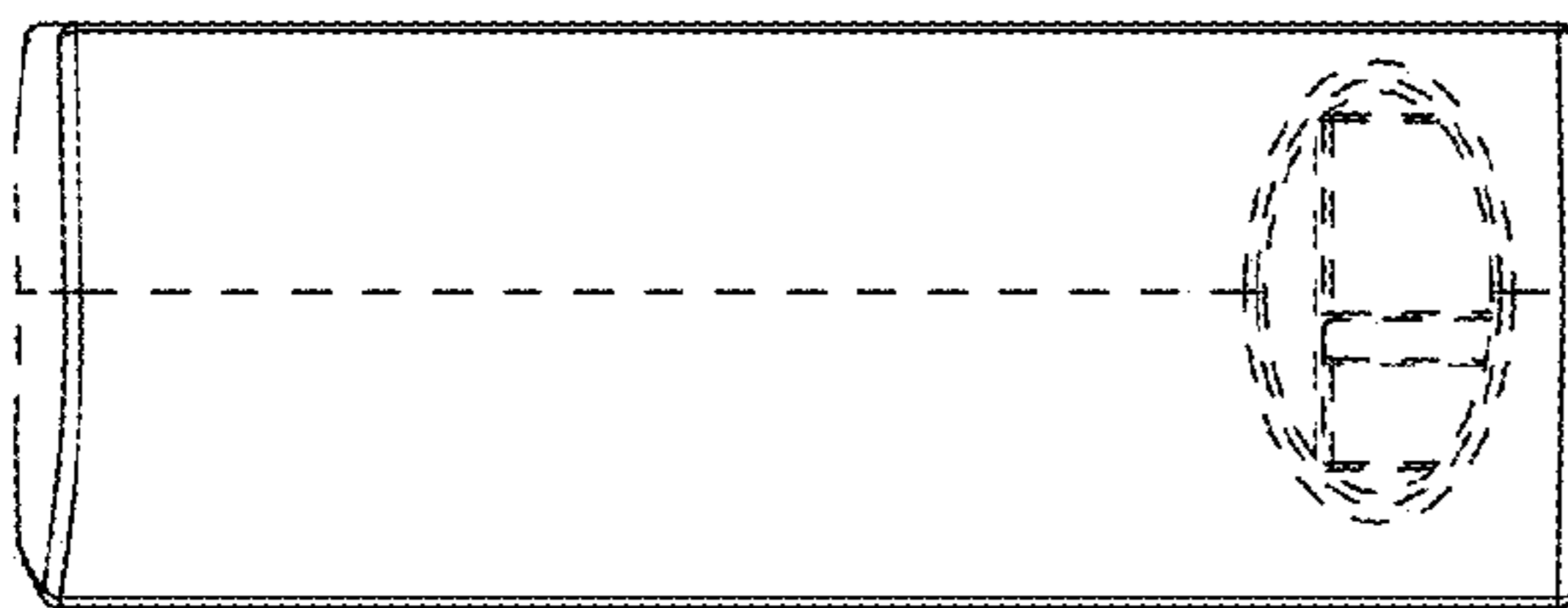


Fig. 7

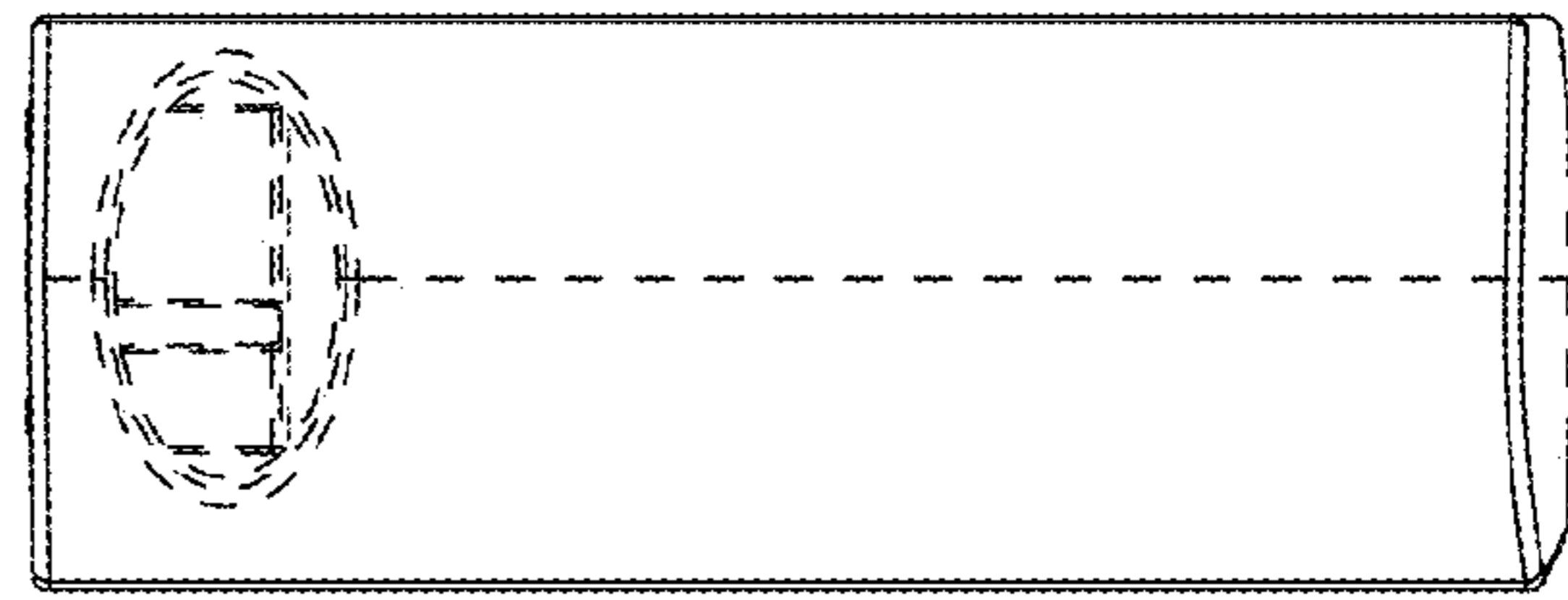


Fig. 8

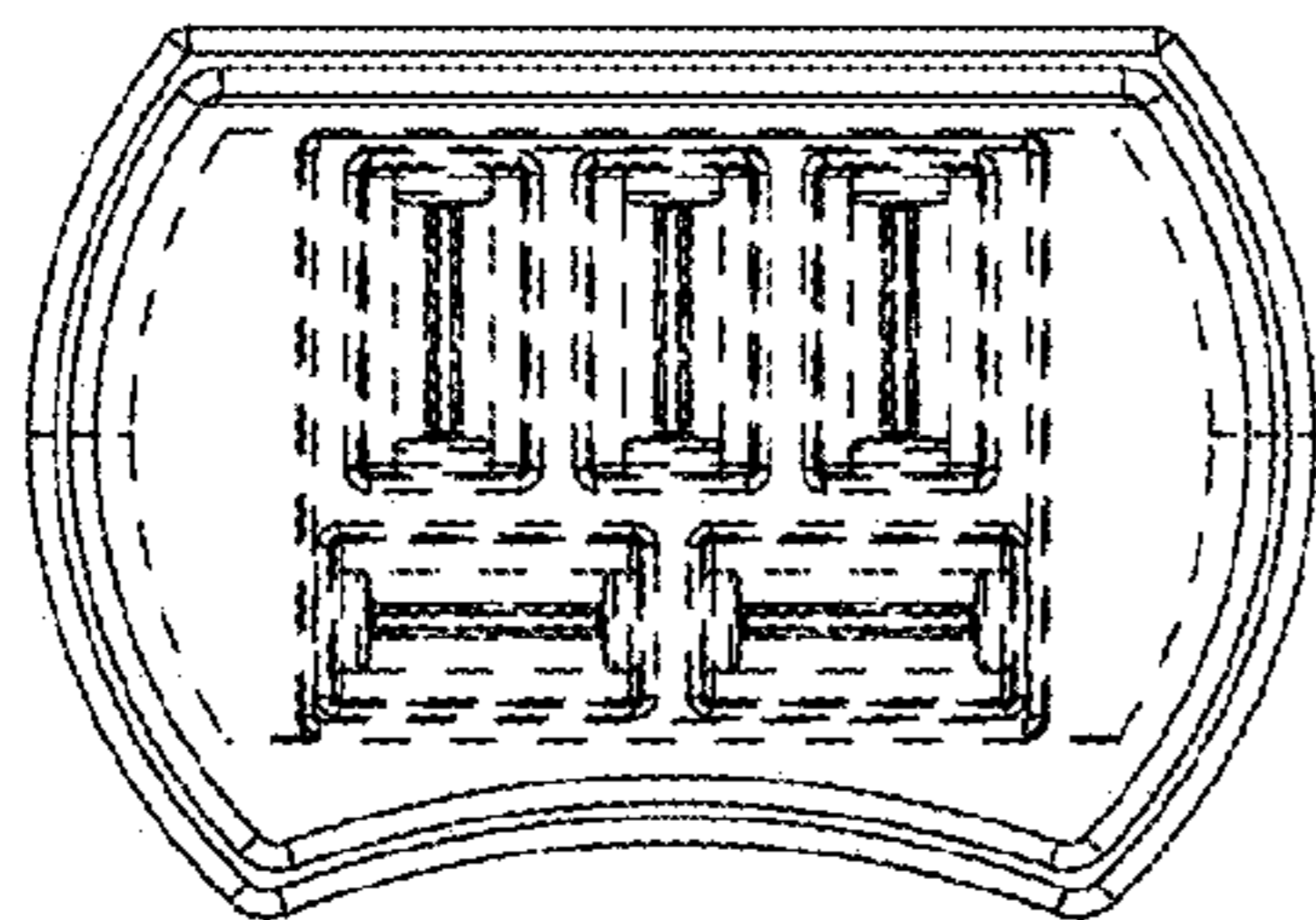


Fig. 9

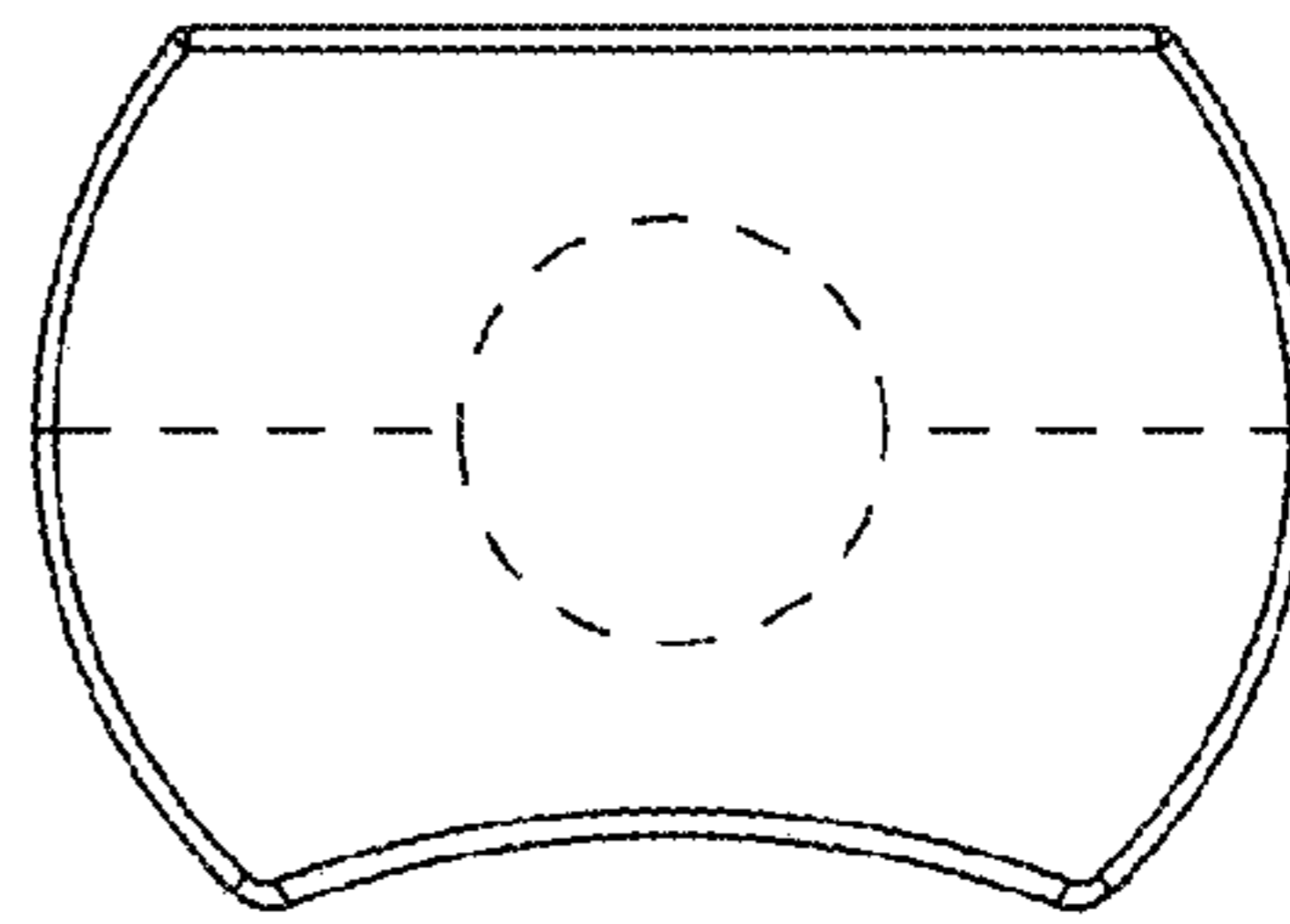


Fig. 10

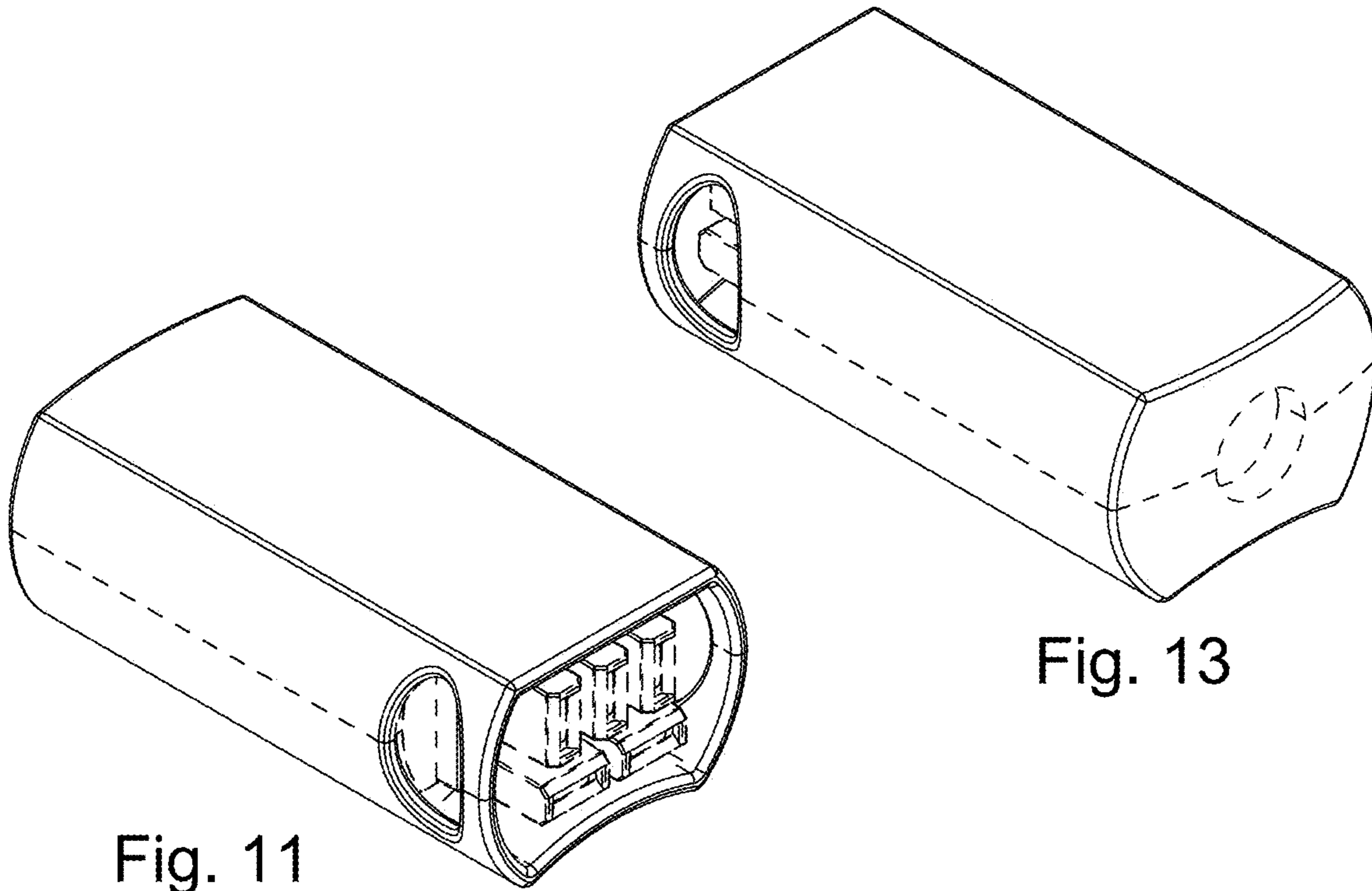


Fig. 11

Fig. 13

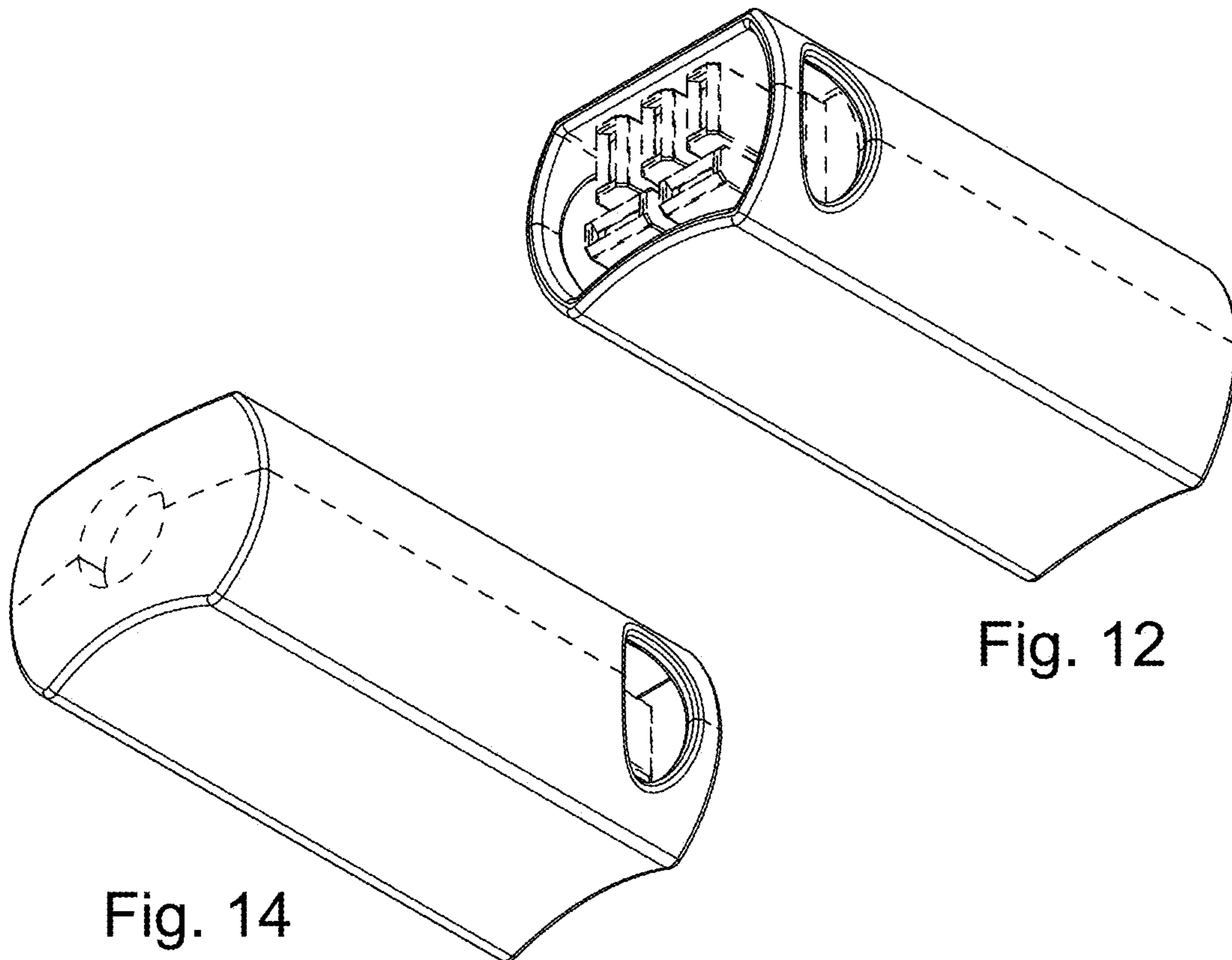


Fig. 12

Fig. 14

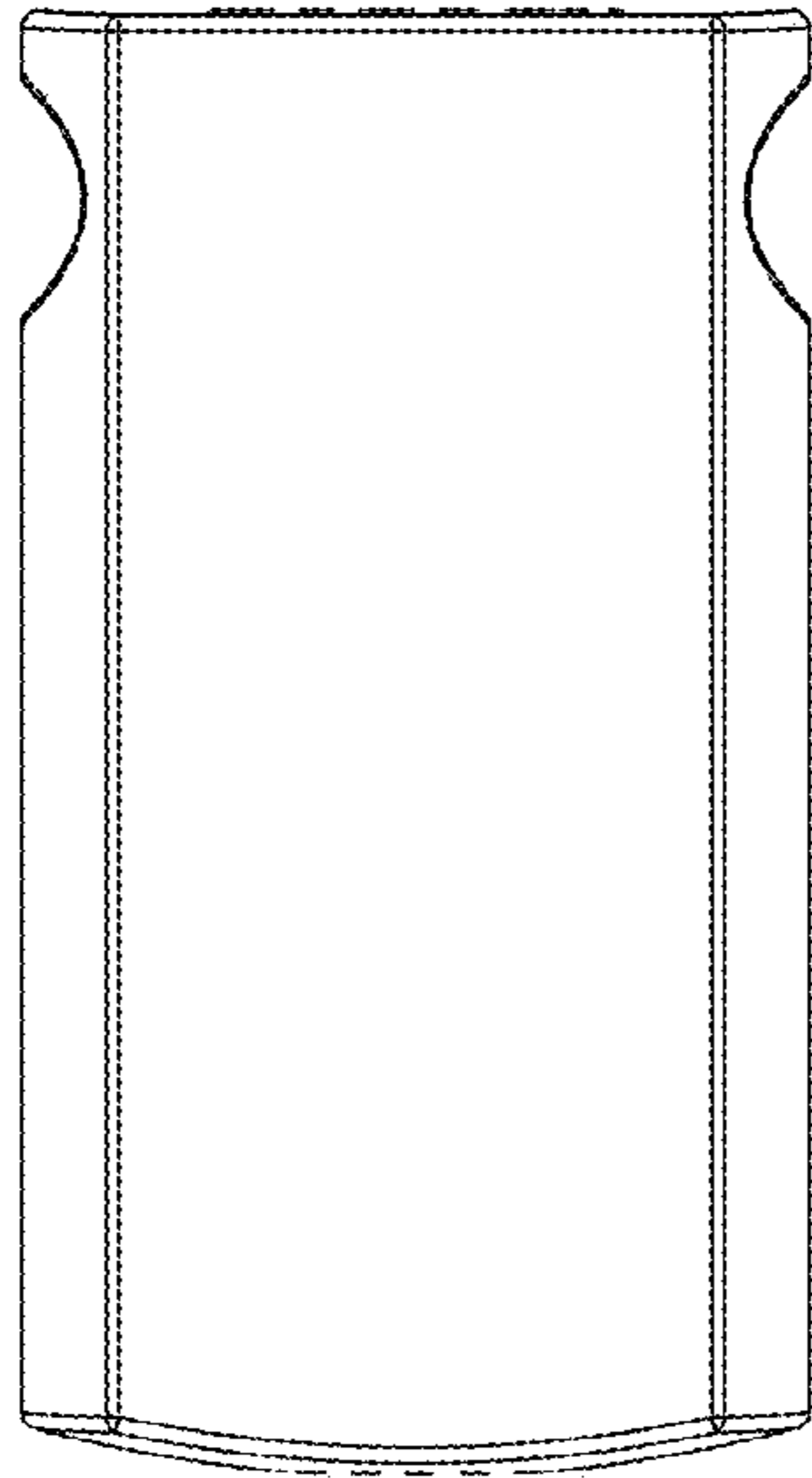


Fig. 15

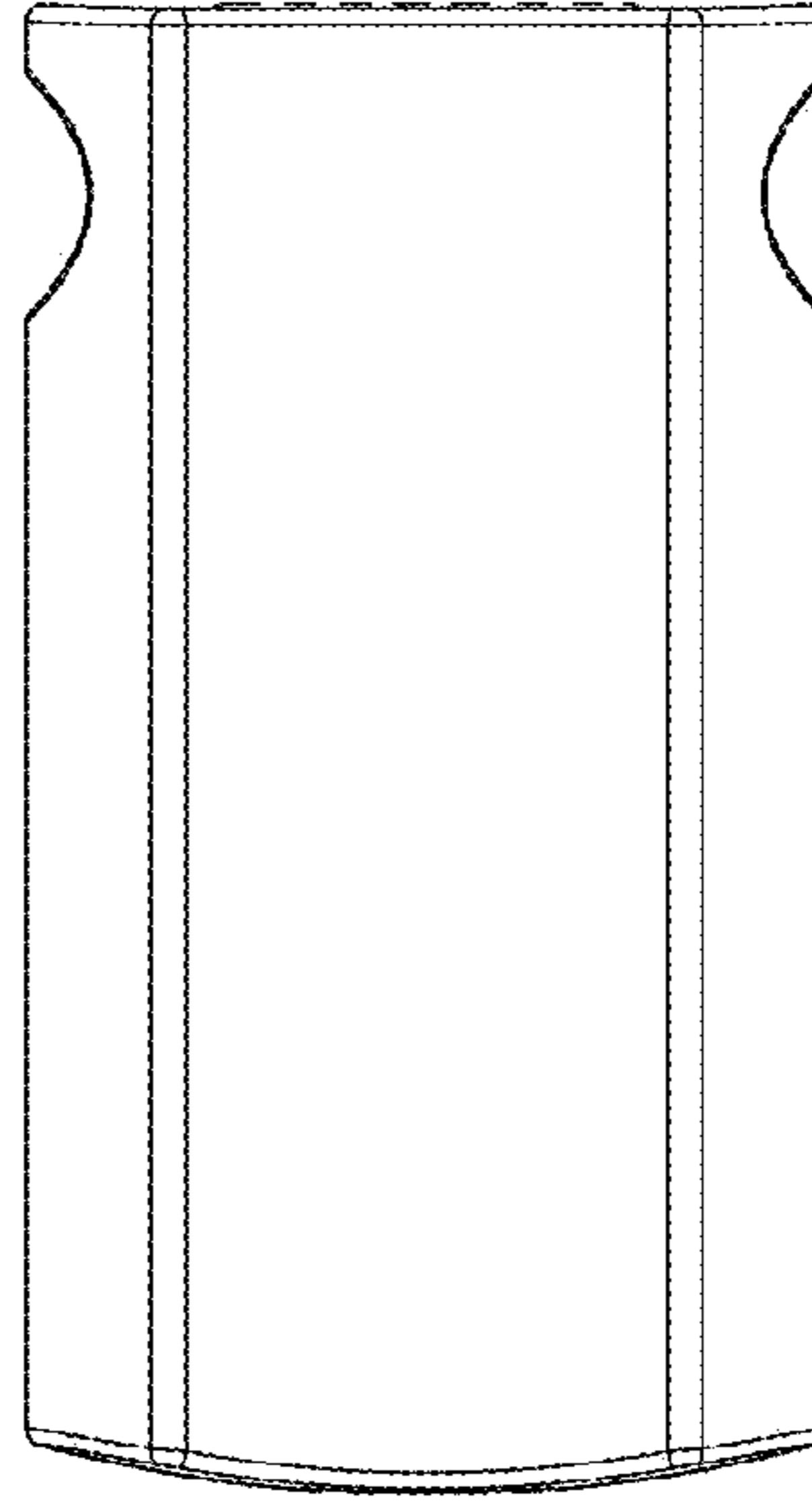


Fig. 16

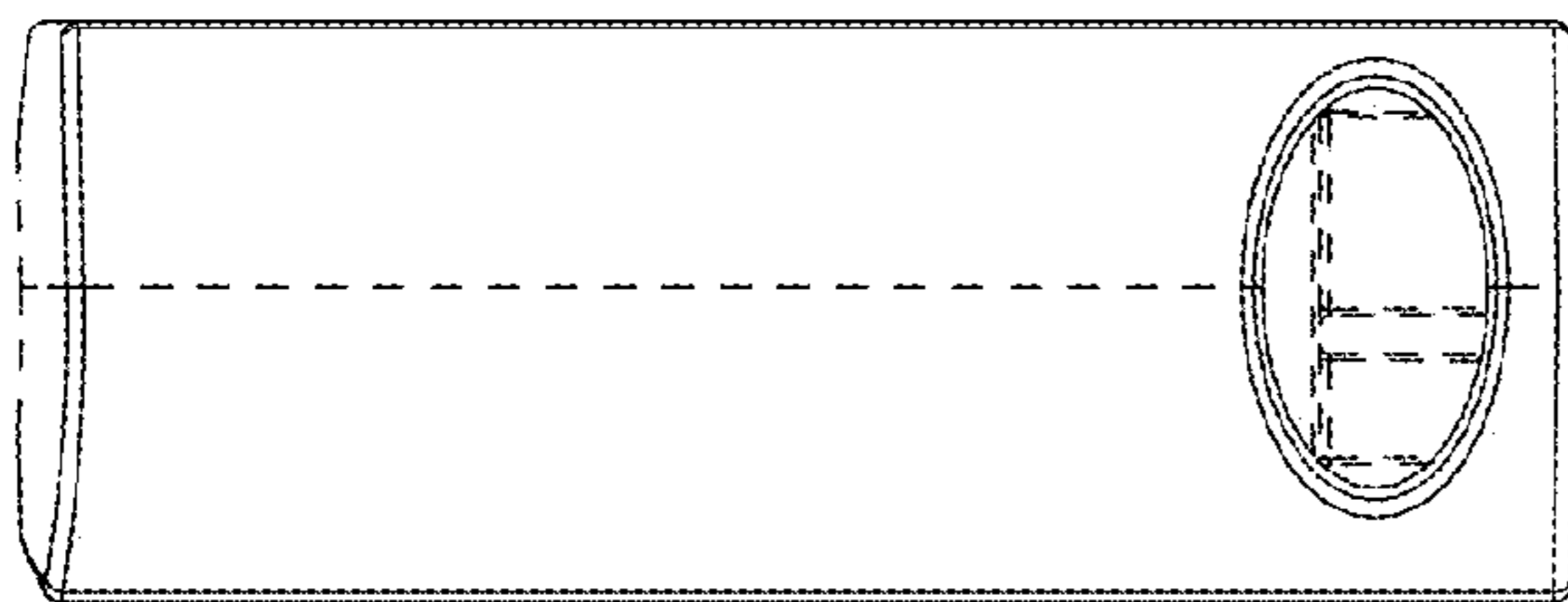


Fig. 17

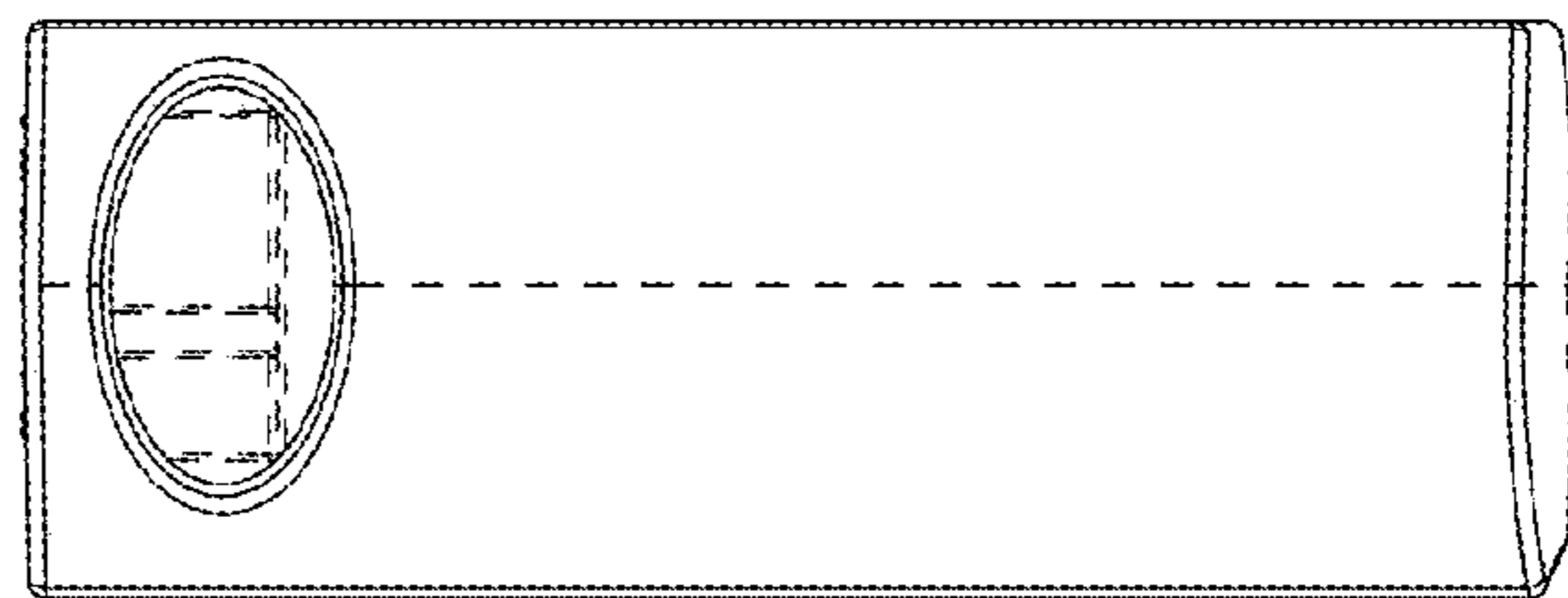


Fig. 18

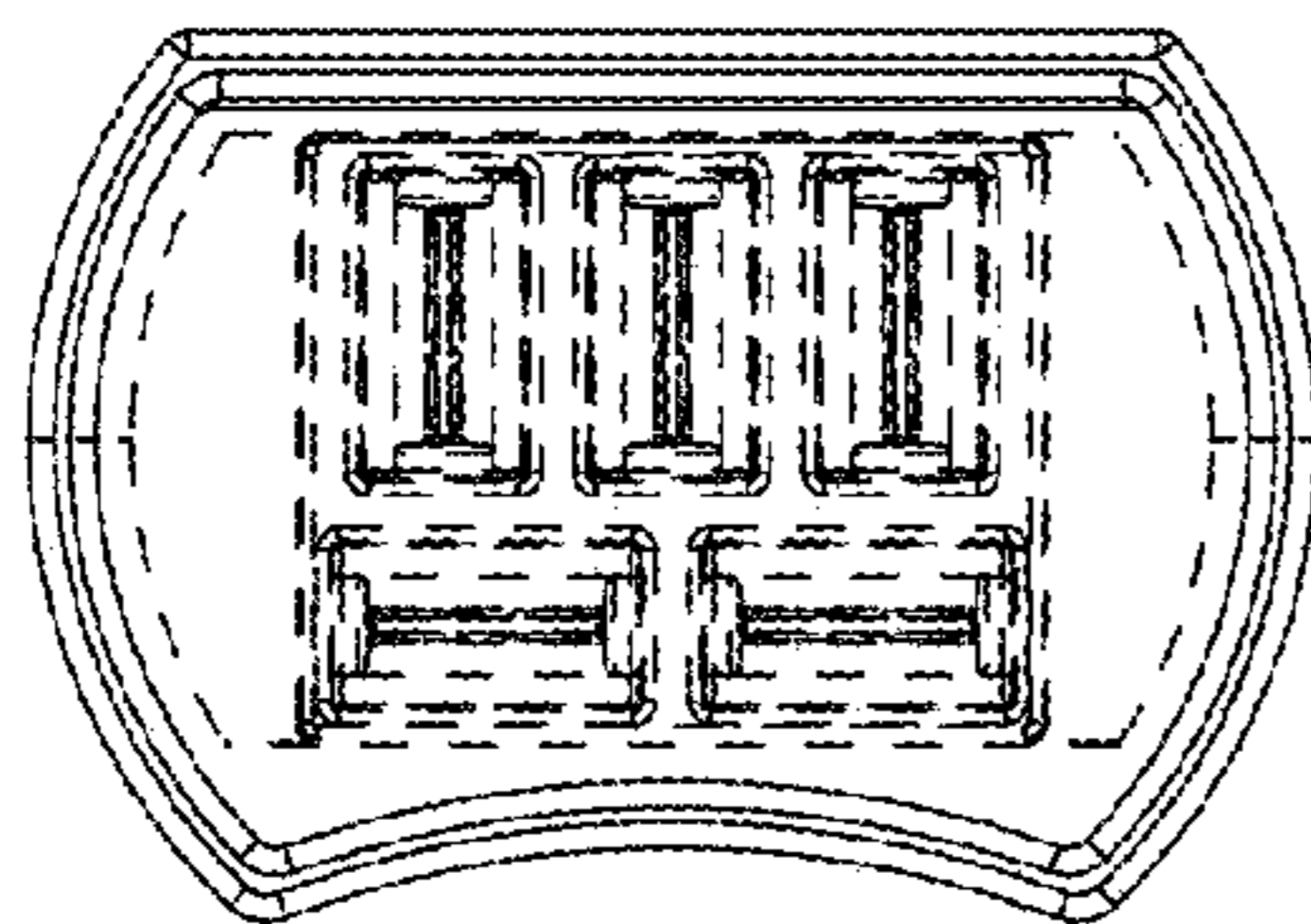


Fig. 19

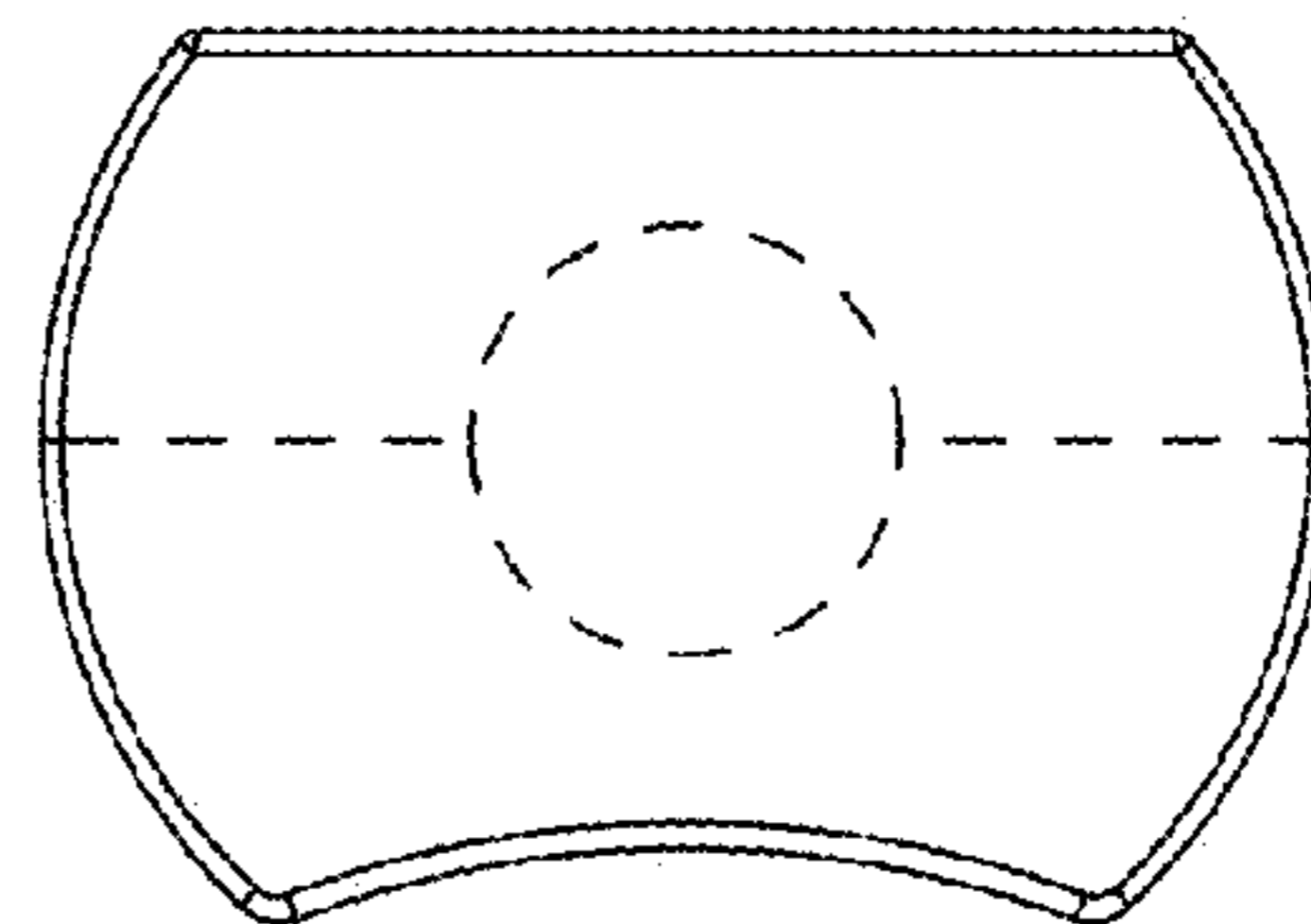


Fig. 20