



US00D908088S

(12) **United States Design Patent**
Watanabe et al.

(10) **Patent No.:** **US D908,088 S**
(45) **Date of Patent:** **** Jan. 19, 2021**

(54) **OPTICAL FIBER CONNECTOR**

(71) Applicant: **SUMITOMO ELECTRIC INDUSTRIES, LTD.**, Osaka (JP)

(72) Inventors: **Takuro Watanabe**, Osaka (JP); **Dai Sasaki**, Osaka (JP); **Yoshikyo Tamekuni**, Osaka (JP); **Takako Hosokawa**, Osaka (JP)

(73) Assignee: **SUMITOMO ELECTRIC INDUSTRIES, LTD.**, Osaka (JP)

(**) Term: **15 Years**

(21) Appl. No.: **29/634,396**

(22) Filed: **Jan. 22, 2018**

(30) **Foreign Application Priority Data**

Aug. 2, 2017 (JP) 2017-016724

(51) **LOC (13) Cl.** **13-03**

(52) **U.S. Cl.**
USPC **D13/133; D13/147**

(58) **Field of Classification Search**
USPC D13/110, 123, 133, 146, 147, 149, 153, D13/154, 156, 173, 177, 178, 184, 199; D14/480.1, 480.5, 480.6, 480.7, 484.1
(Continued)

(56) **References Cited**

U.S. PATENT DOCUMENTS

4,397,513 A * 8/1983 Clark H05K 5/026
439/357
D611,418 S * 3/2010 Kato D13/147
(Continued)

OTHER PUBLICATIONS

LC Fiber Optic Adapter With Shutter, dated Jul. 23, 2017, [online], [site visited Dec. 3, 2019]. Available from Internet, URL: <http://www.springoptical.com/fiber-optic-adapters/lc-fiber-adapters/lc-fiber-optic-adapter-with-shutter.html> (Year: 2017).*

www.springoptical.com/fiber-optic-adapters/lc-fiber-adapters/lc-fiber-optic-adapter-with-shutter.html (Year: 2017).*

(Continued)

Primary Examiner — Angela J Lee

Assistant Examiner — Shawn T Gingrich

(74) *Attorney, Agent, or Firm* — Faegre Drinker Biddle & Reath LLP

(57) **CLAIM**

The ornamental design for an optical fiber connector, as shown and described.

DESCRIPTION

FIG. 1 is a front view of an optical fiber connector of the present invention;
FIG. 2 is a rear view thereof;
FIG. 3 is a top plan view thereof;
FIG. 4 is a bottom plan view thereof;
FIG. 5 is a right side view thereof;
FIG. 6 is a left side view thereof;
FIG. 7 is a front, top plan and left side perspective view thereof;
FIG. 8 is a rear, bottom plan and right side perspective view thereof;
FIG. 9 is a cross-sectional view along the line 9-9 in FIG. 1;
FIG. 10 is a cross-sectional view along the line 10-10 in FIG. 6;
FIG. 11 is a front view in the first alternate position thereof;
FIG. 12 is a left side view in the first alternate position thereof;
FIG. 13 is a cross-sectional view along the line 13-13 in FIG. 12;
FIG. 14 is a front view in the second alternate position thereof;
FIG. 15 is a left side view in the second alternate position thereof;
FIG. 16 is a cross-sectional view along the line 16-16 in FIG. 15;
FIG. 17 is a front view in the third alternate position thereof;
FIG. 18 is a rear view in the third alternate position thereof;
FIG. 19 is a top plan view in the third alternate position thereof;

(Continued)

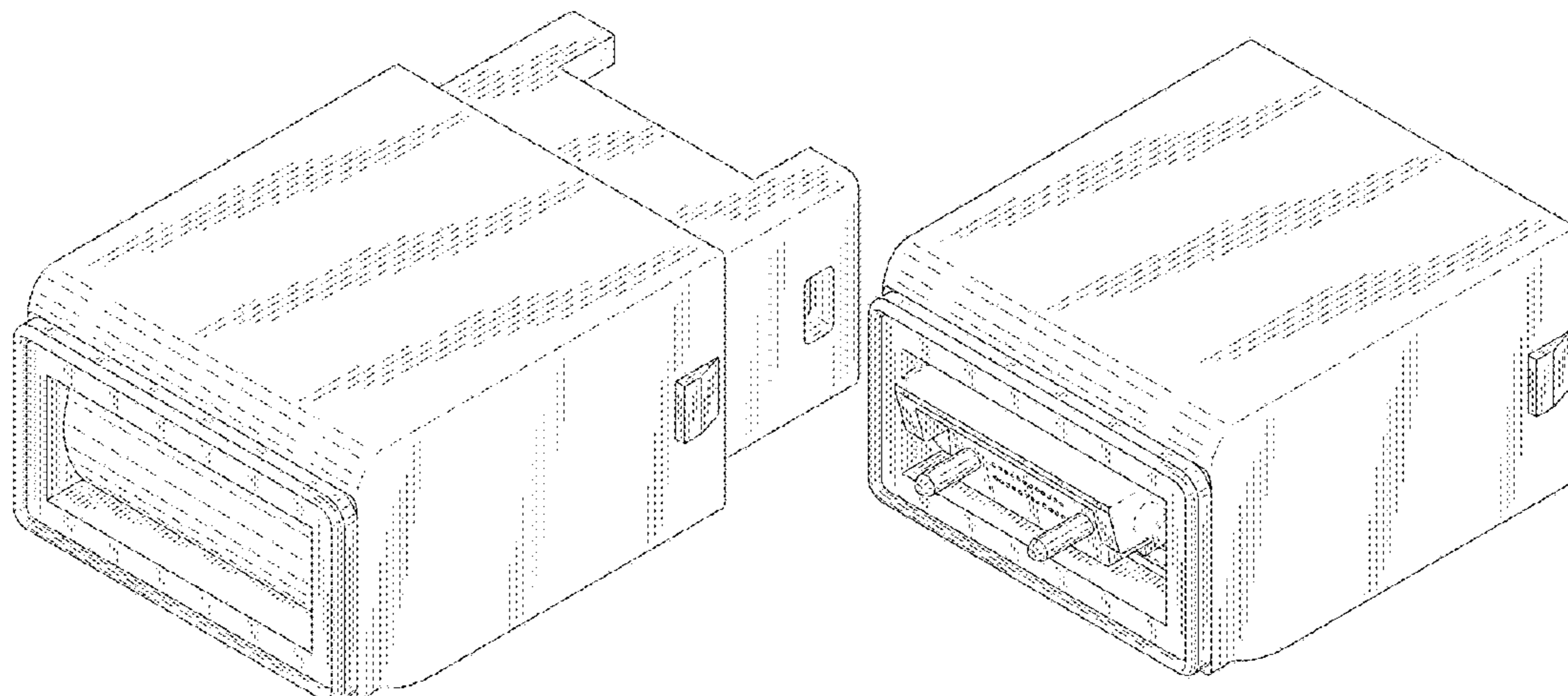


FIG. 20 is a bottom plan view in the third alternate position thereof;
 FIG. 21 is a right side view in the third alternate position thereof;
 FIG. 22 is a left side view in the third alternate position thereof;
 FIG. 23 is a front, top plan and left side perspective view in the third alternate position thereof;
 FIG. 24 is a rear, bottom plan and right side perspective view in the third alternate position thereof; and,
 FIG. 25 is a cross-sectional view along the line 25-25 in FIG. 22.

The features shown in broken lines depict environmental subject matter only and form no part of the claimed design. The unshaded surfaces form no part of the claimed design.

1 Claim, 25 Drawing Sheets

(58) **Field of Classification Search**

CPC . G02B 6/32; G02B 6/38; G02B 6/382; G02B 6/3831; G02B 6/3849; G02B 6/3885; G02B 6/3887; H01R 12/24; H01R 13/00; H01R 13/24; H01R 13/458; H01R 13/64
 See application file for complete search history.

(56) **References Cited**

U.S. PATENT DOCUMENTS

9,453,963 B2 * 9/2016 Sato G02B 6/241
 D881,814 S * 4/2020 Watanabe D13/133

10,666,001 B2 * 5/2020 Hou H01R 13/193
 10,705,299 B2 * 7/2020 Nakama G02B 6/38
 10,725,247 B2 * 7/2020 Takano G02B 6/3893
 D892,746 S * 8/2020 Tsai D13/147
 10,732,366 B2 * 8/2020 Turcotte G02B 6/12
 2003/0169974 A1 * 9/2003 Ngo G02B 6/3825
 385/72
 2007/0217749 A1 * 9/2007 Jong G02B 6/3849
 385/88
 2011/0058774 A1 * 3/2011 Gurreri G02B 6/3831
 385/78
 2013/0108233 A1 * 5/2013 Lin G02B 6/3849
 385/139
 2013/0266268 A1 * 10/2013 Li G02B 6/3862
 385/81
 2015/0104135 A1 * 4/2015 Bushnell G02B 6/3885
 385/79
 2016/0259135 A1 * 9/2016 Gniadek G02B 6/3885
 2016/0349459 A1 * 12/2016 Collier G02B 6/3849
 2019/0187385 A1 * 6/2019 Watanabe G02B 6/38
 2019/0346630 A1 * 11/2019 Yang G02B 6/3866
 2019/0353852 A1 * 11/2019 Lee G02B 6/3885
 2020/0103604 A1 * 4/2020 Bradley G02B 6/3853

OTHER PUBLICATIONS

SC shutter patch cord, dated Aug. 29, 2018, [online], [site visited Dec. 3, 2019]. Available from Internet, URL: http://www.wirenet-tech.conn/index.php/products_v_20_178.html (Year: 2018).*
 Fiberwe SC adapter with shutter, dated Aug. 18, 2018, [online], [site visited Dec. 3, 2019]. Available from Internet, URL: <http://fiberwe.com/products/fiber-optic-components/connectors-adapters/sc-connector-adapter.htm> (Year: 2018).*

* cited by examiner

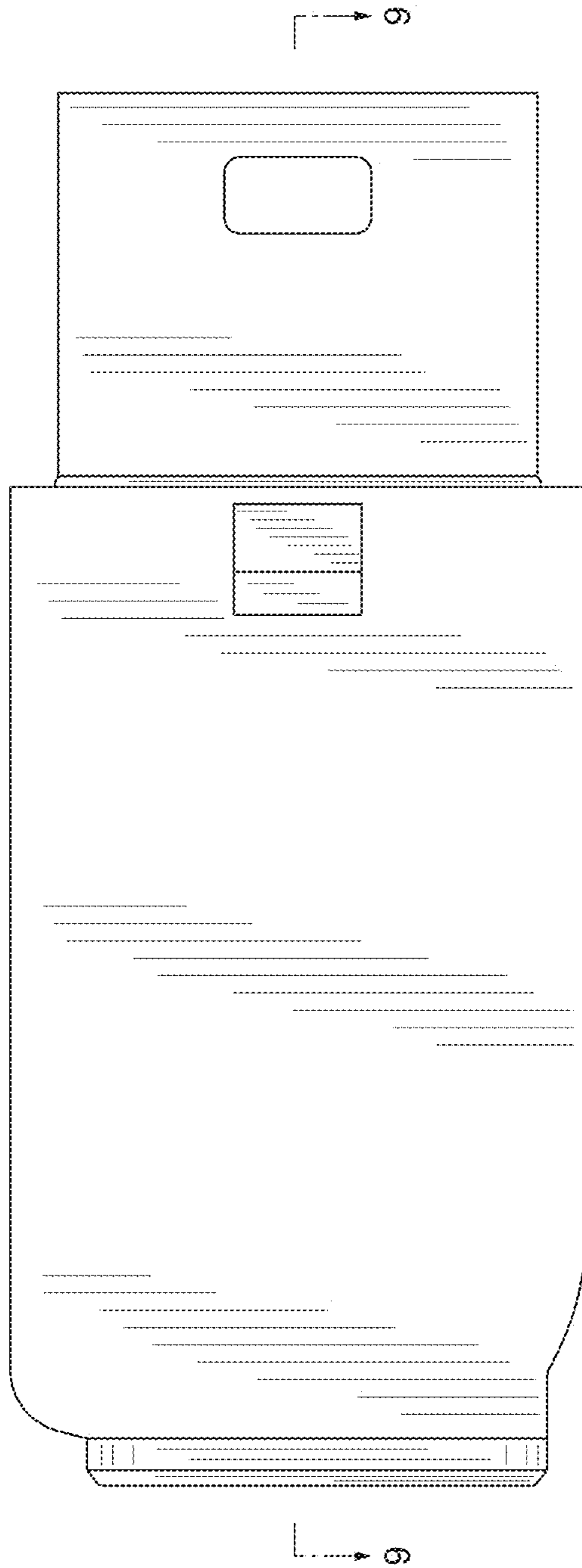


FIG. 1

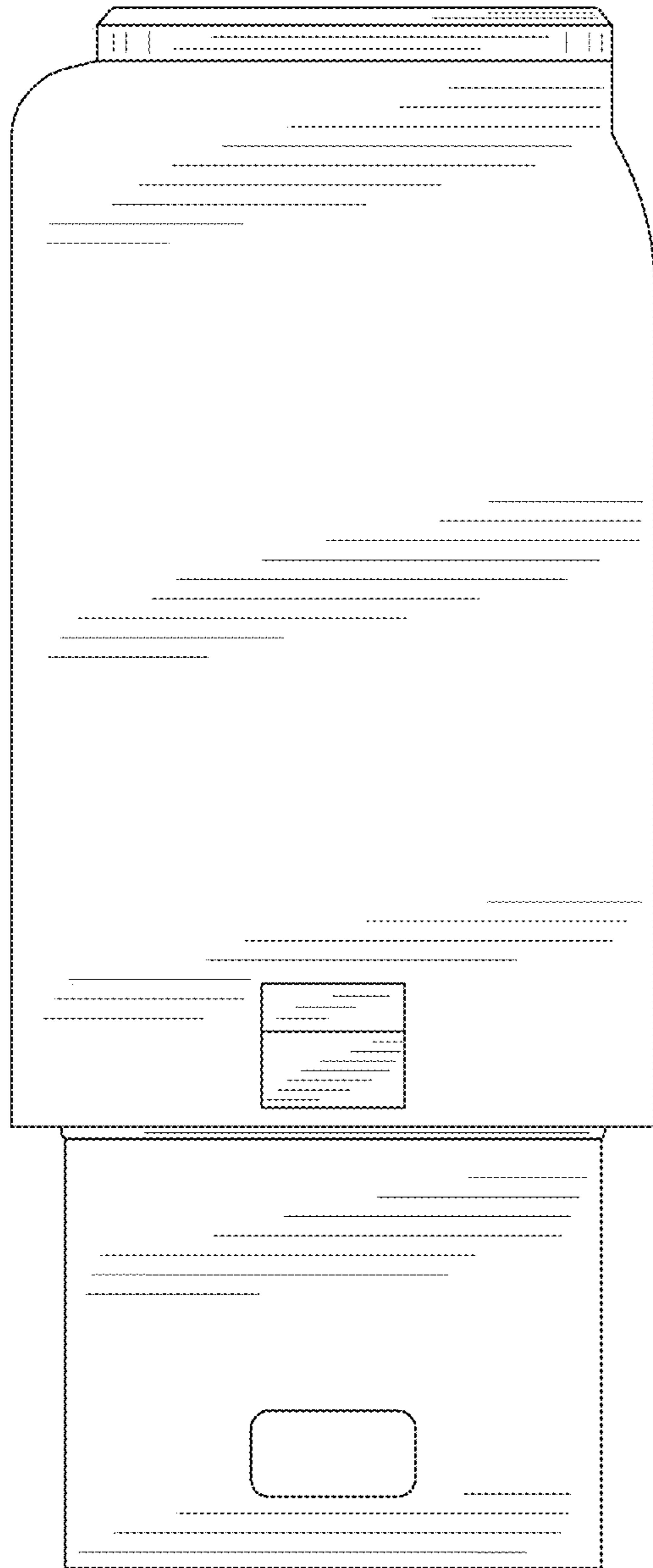


FIG. 2

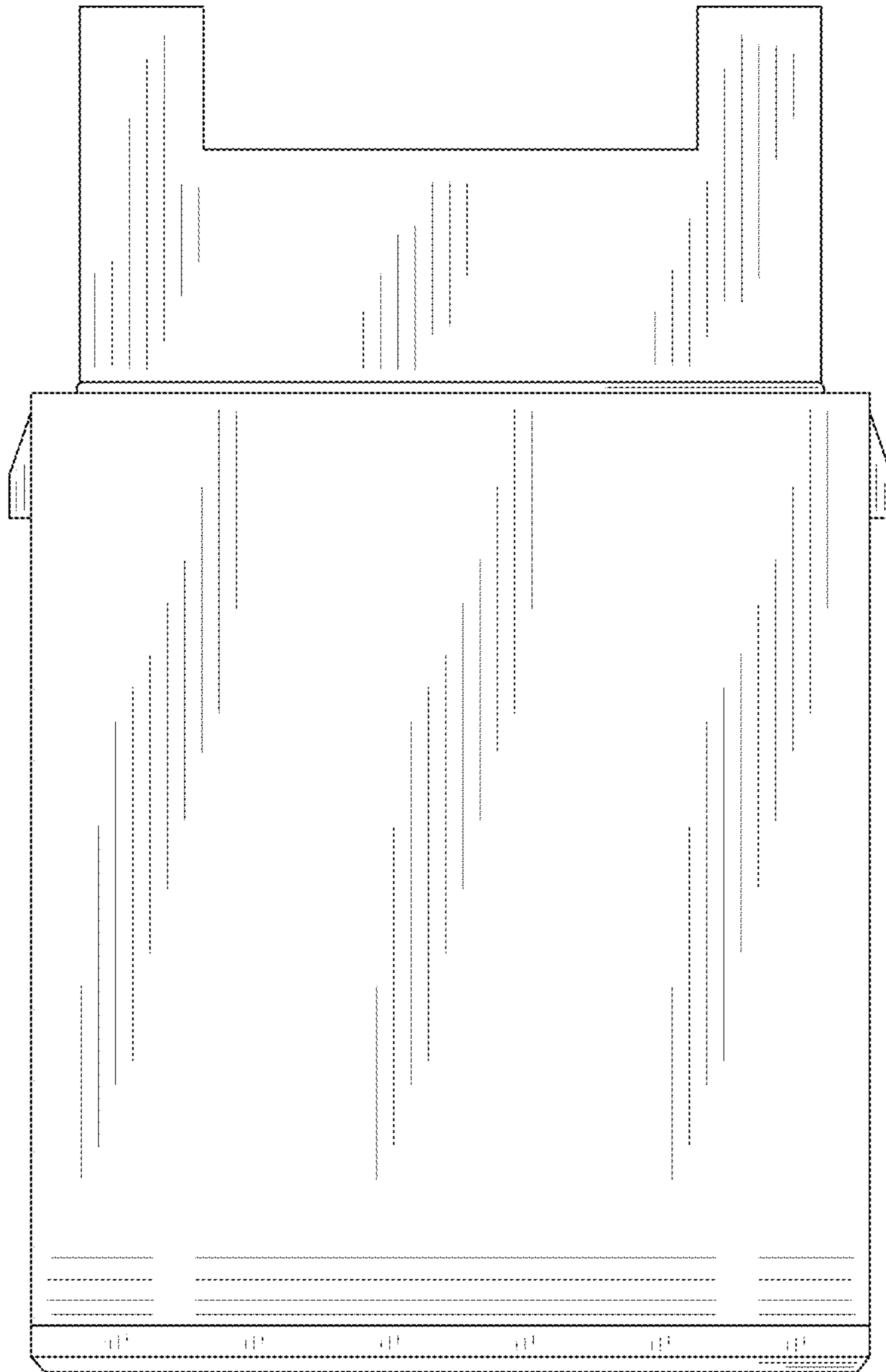


FIG. 3

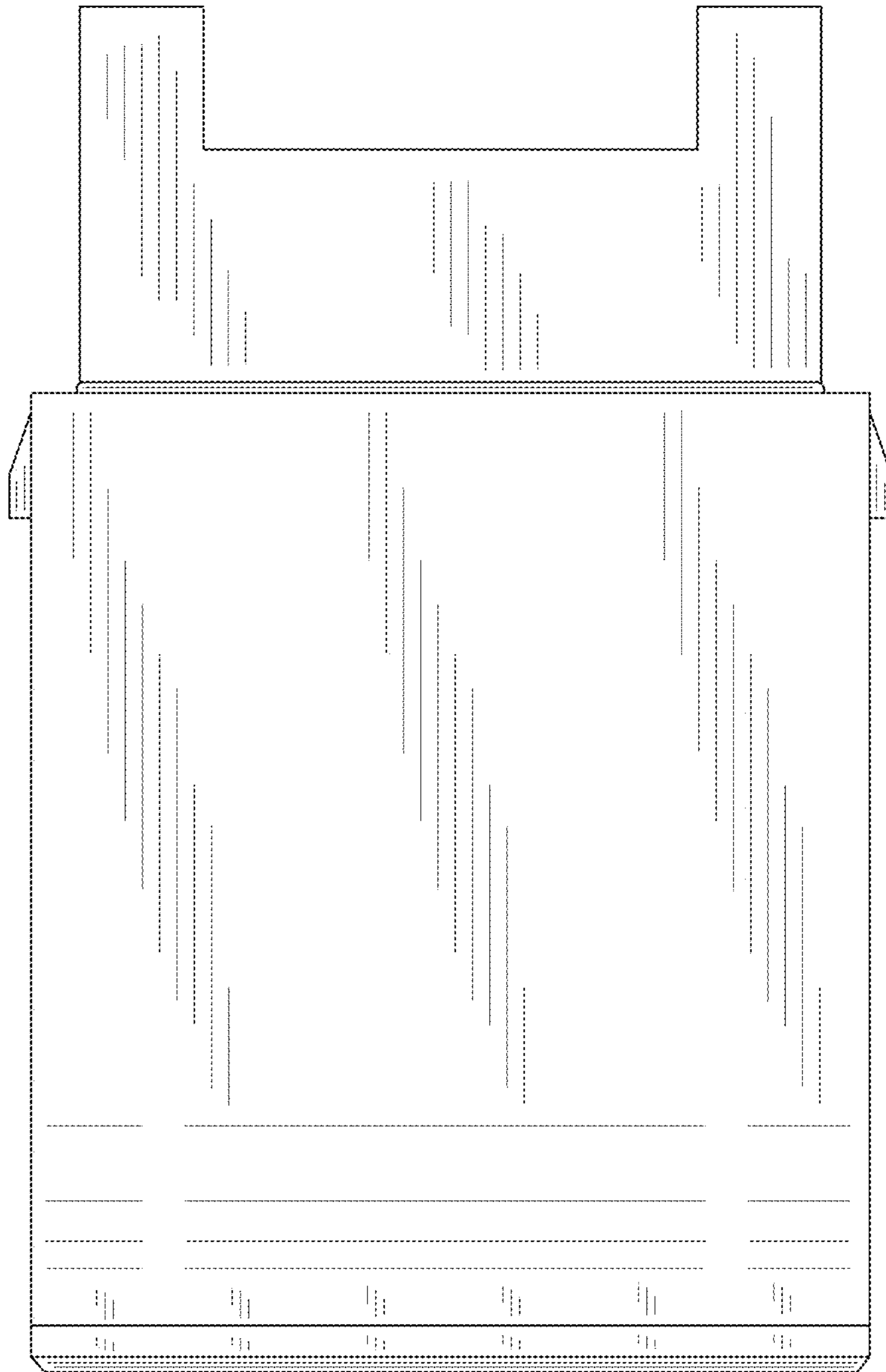


FIG. 4

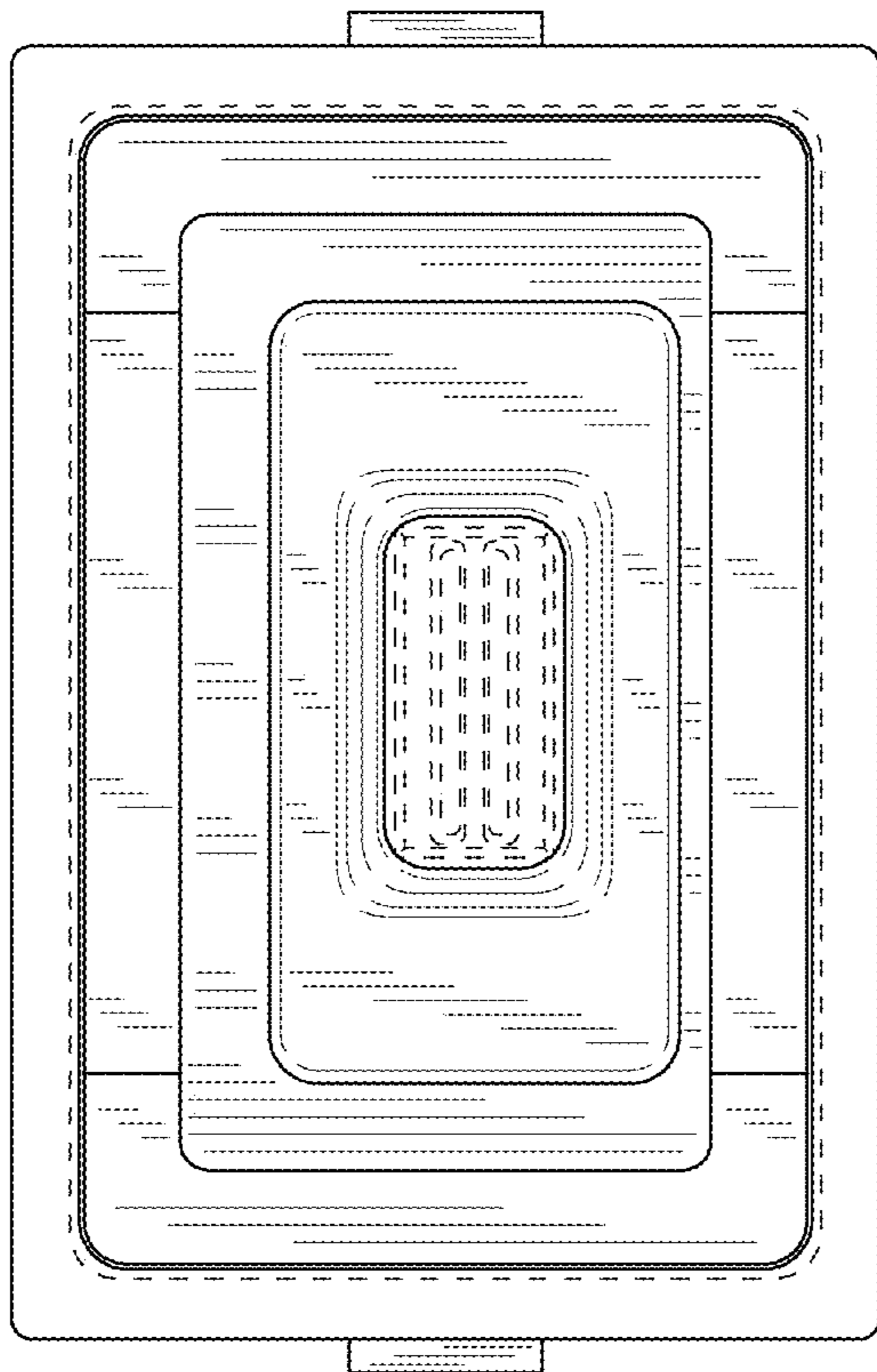


FIG. 5

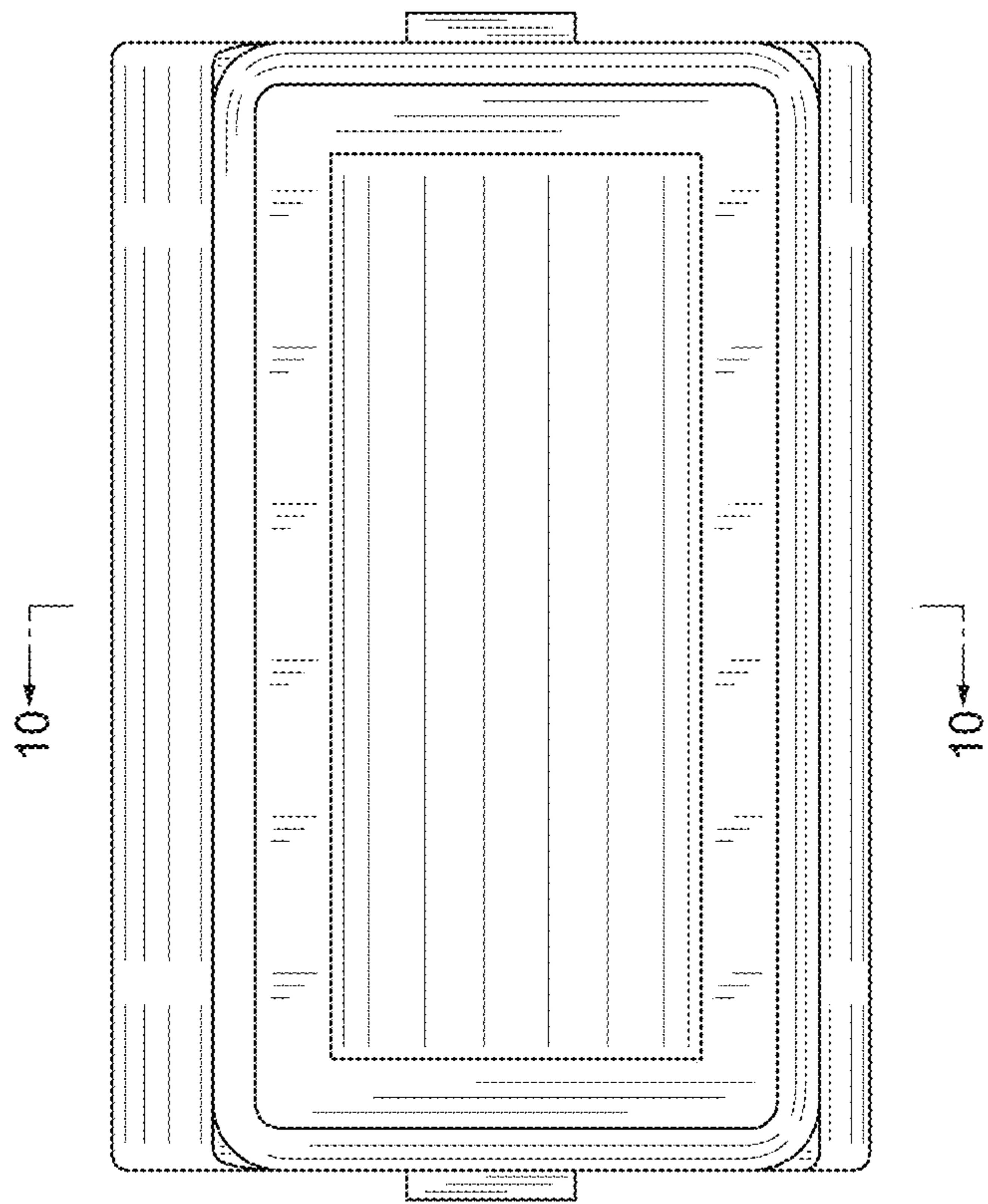


FIG. 6

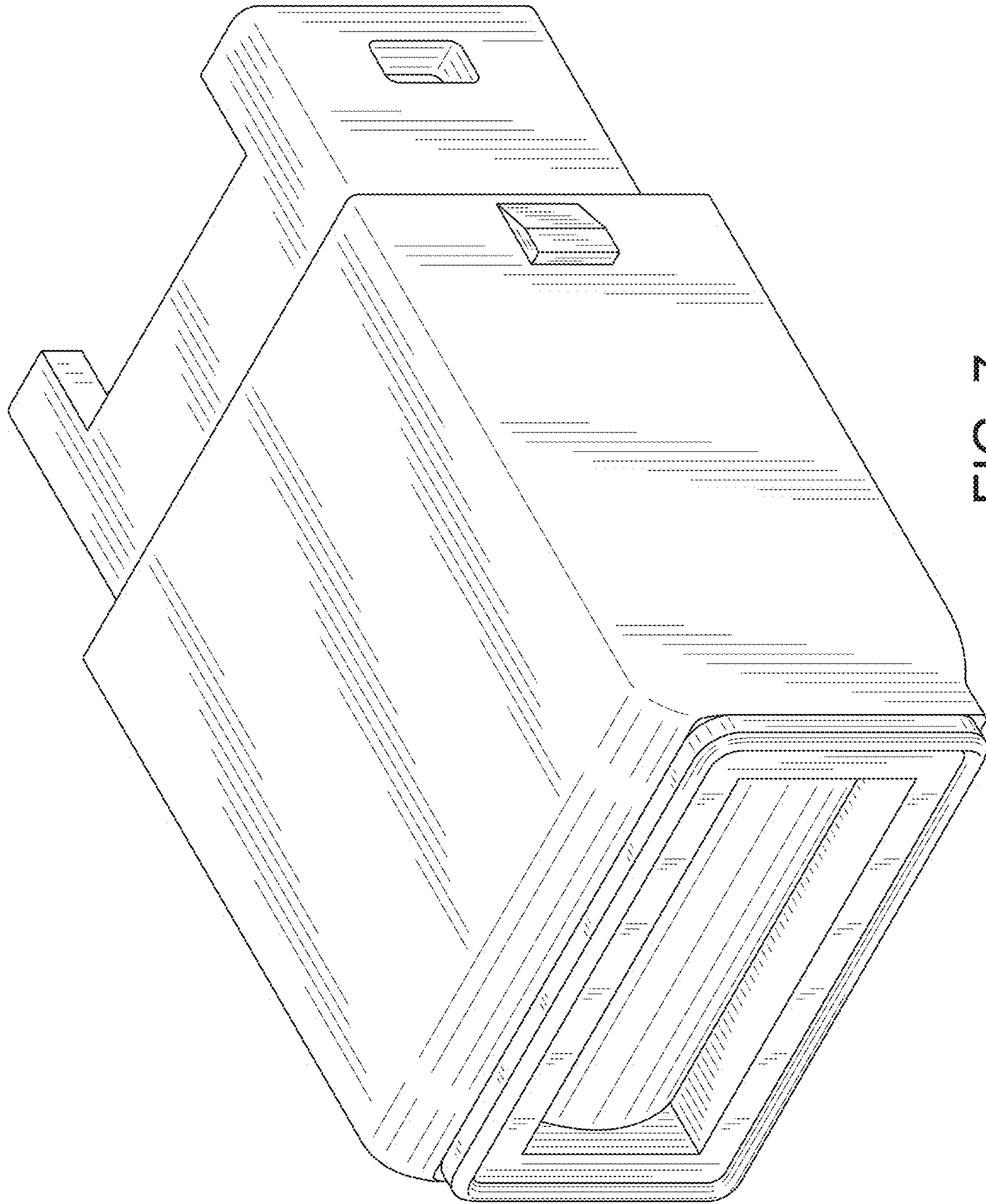


FIG. 7

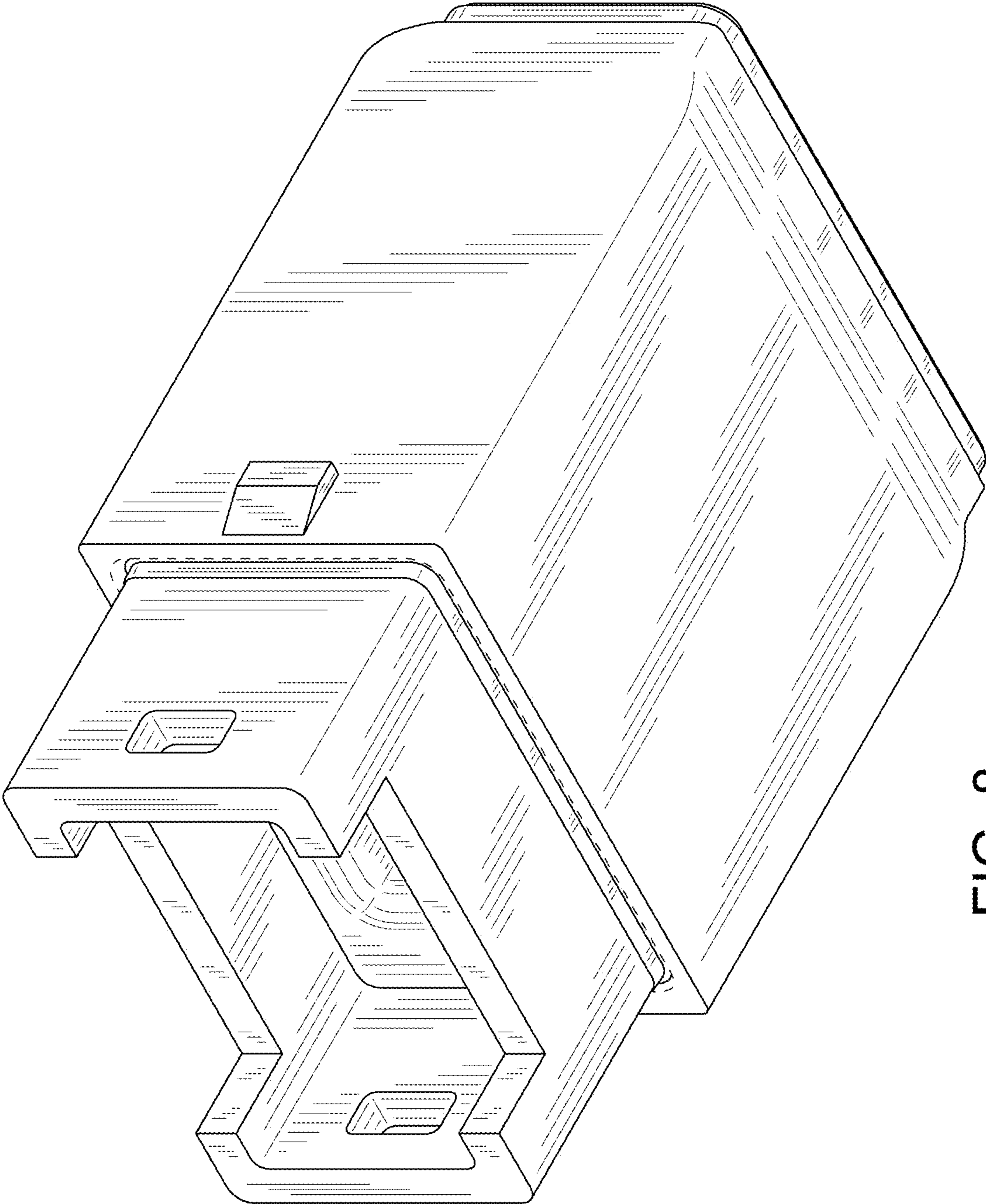


FIG. 8

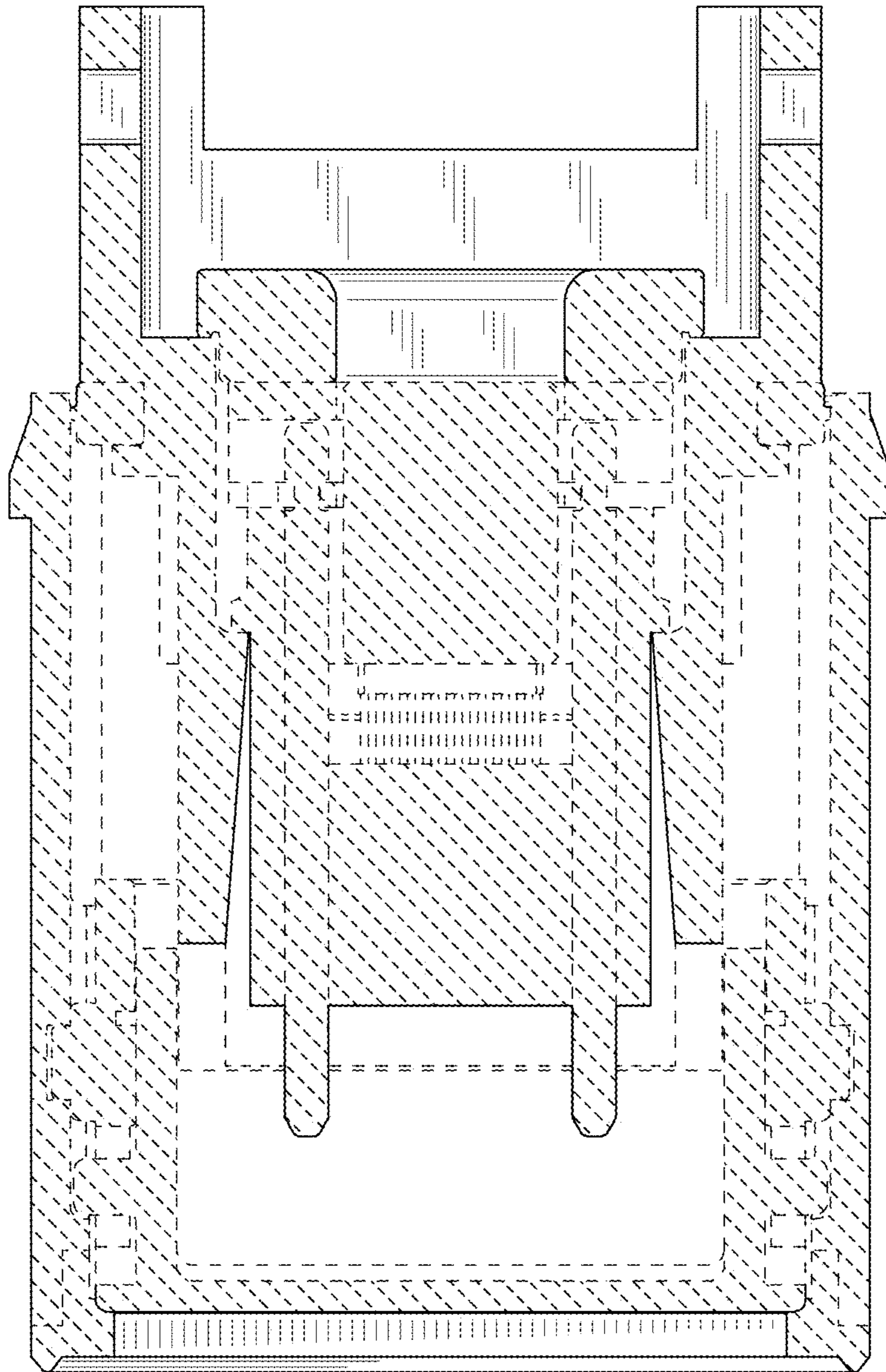


FIG. 9

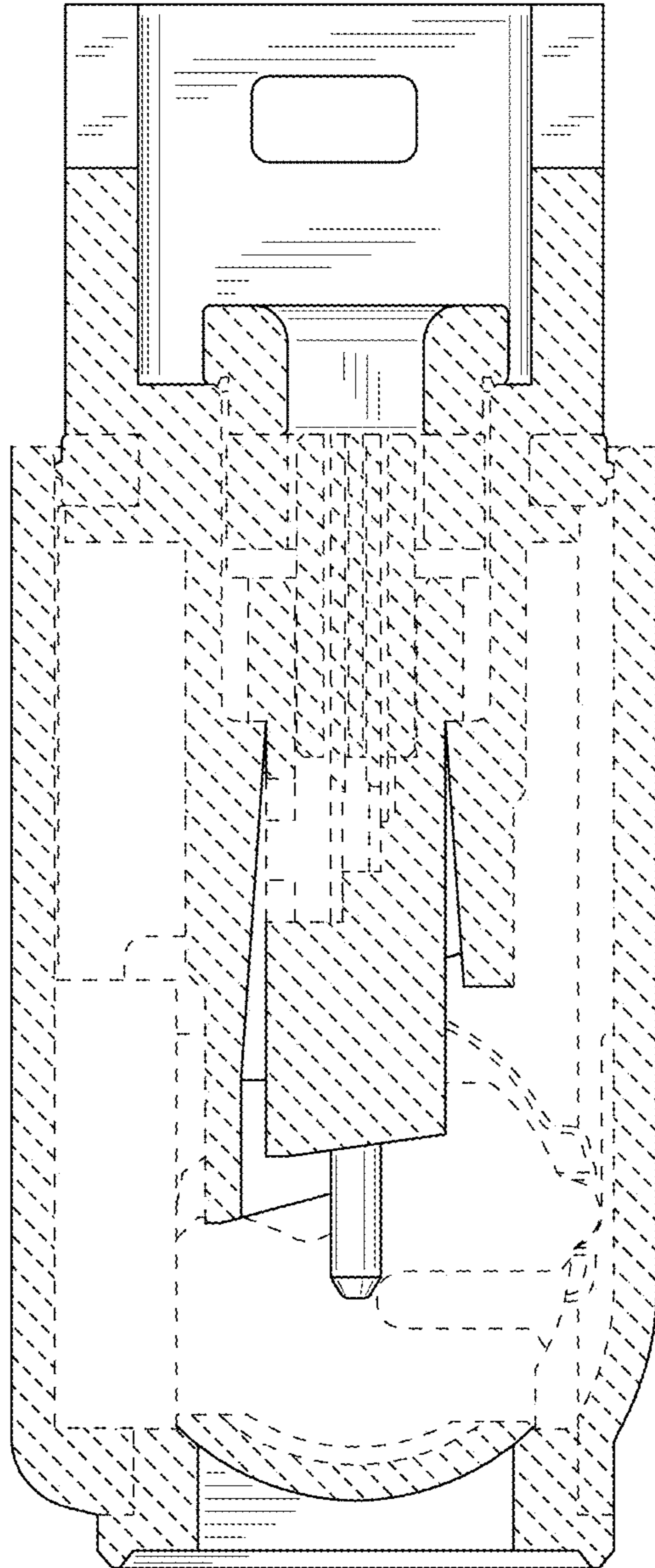


FIG. 10

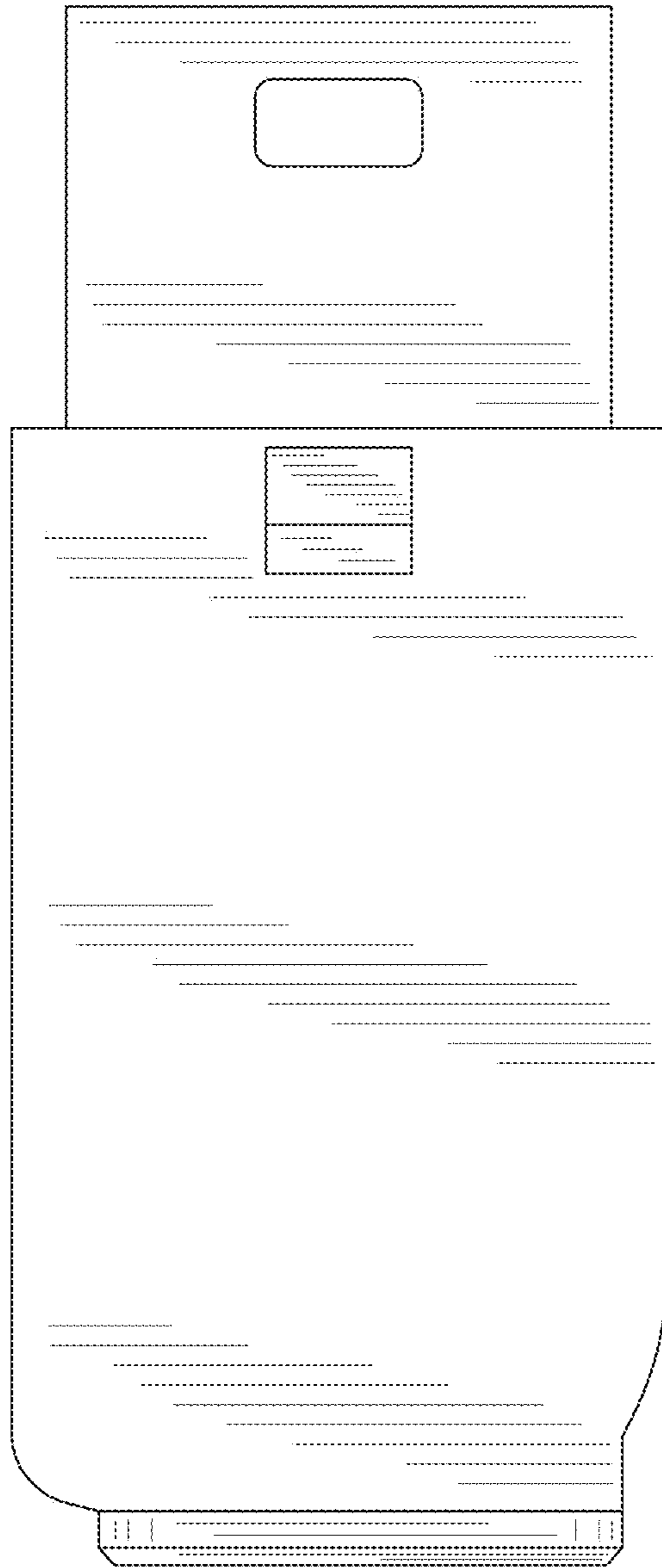


FIG. 11

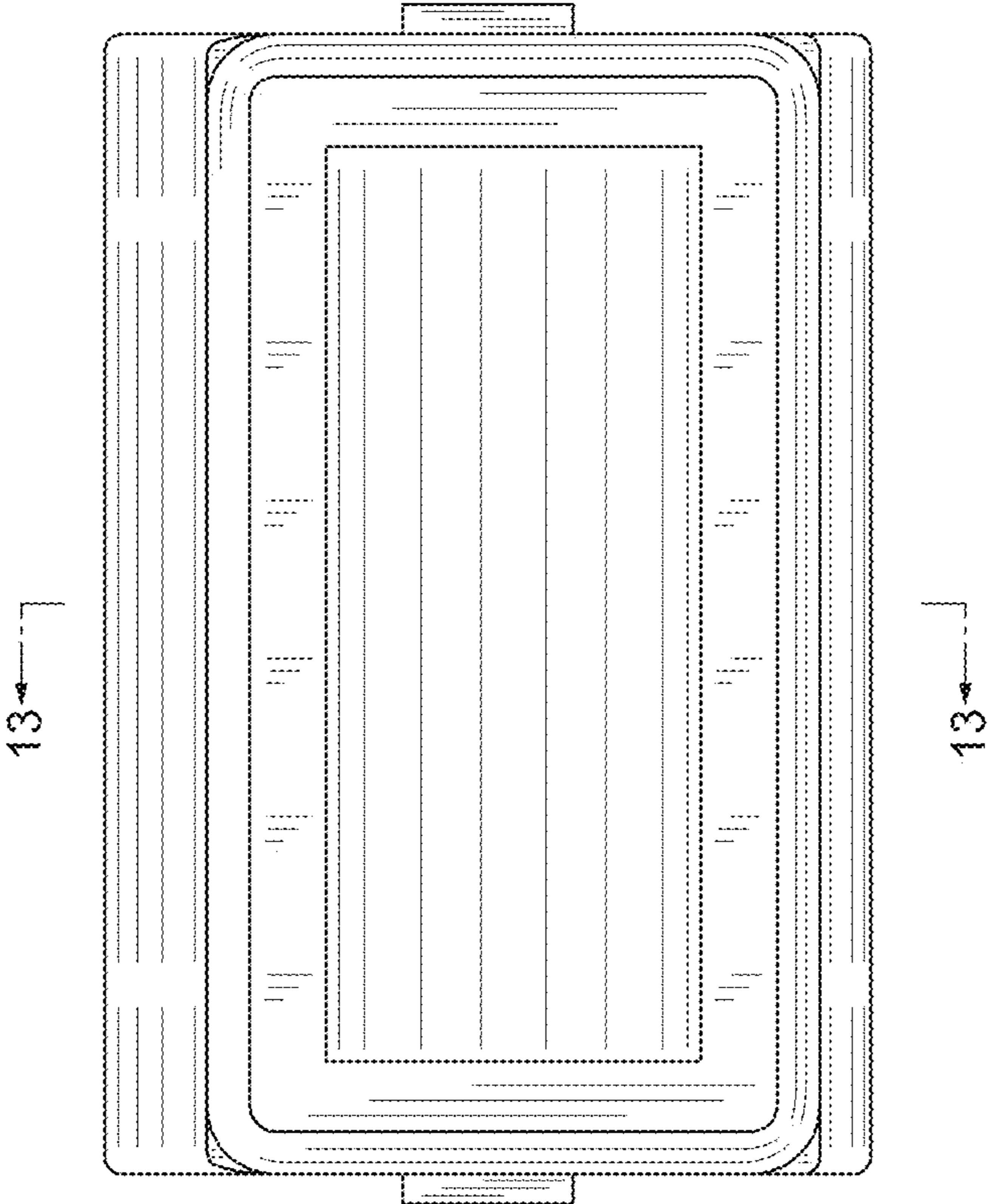


FIG. 12

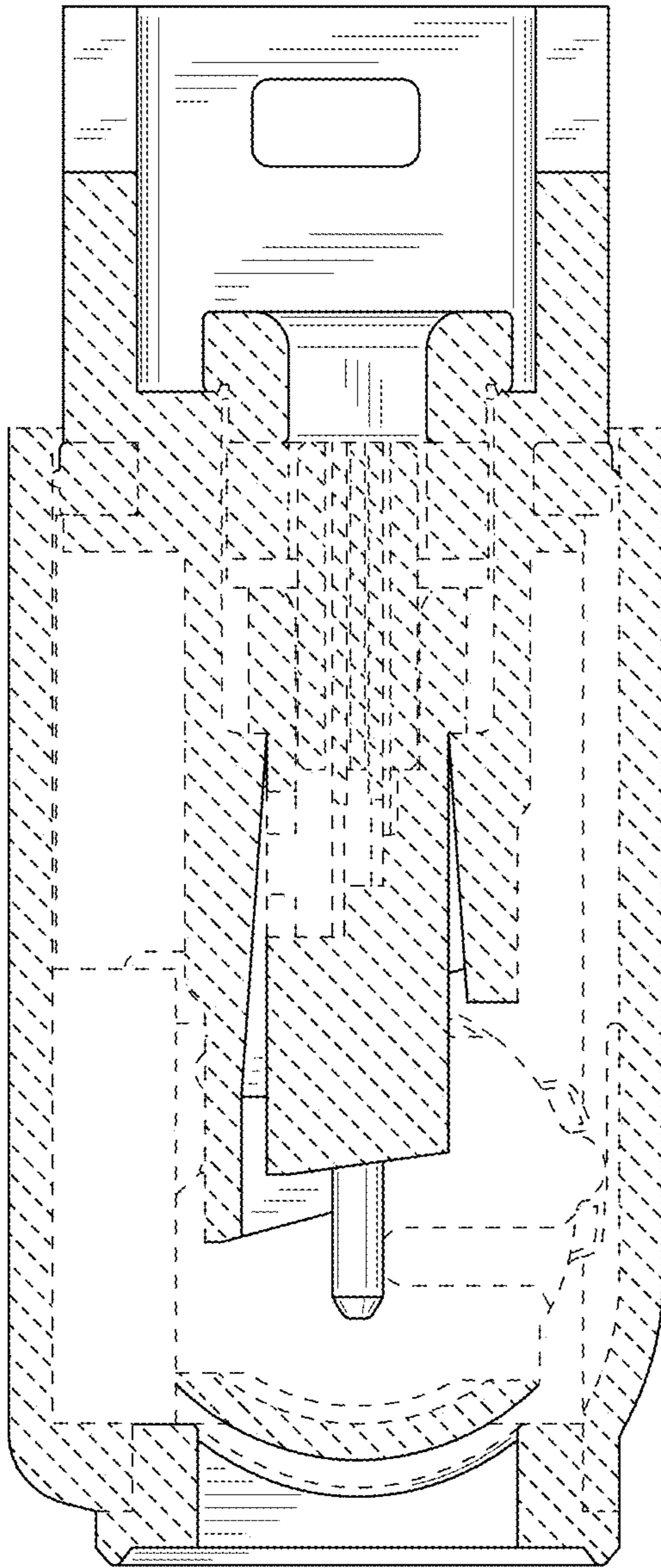


FIG. 13

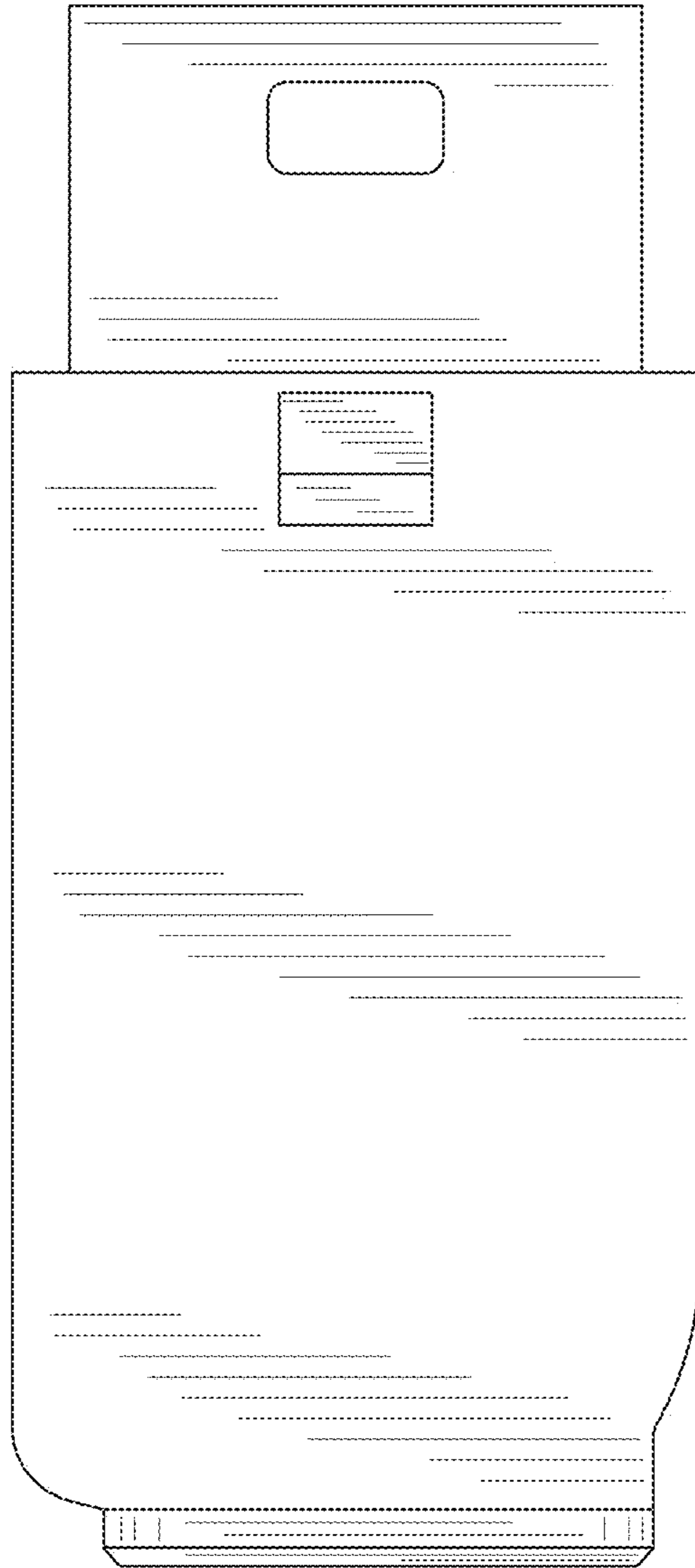


FIG. 14

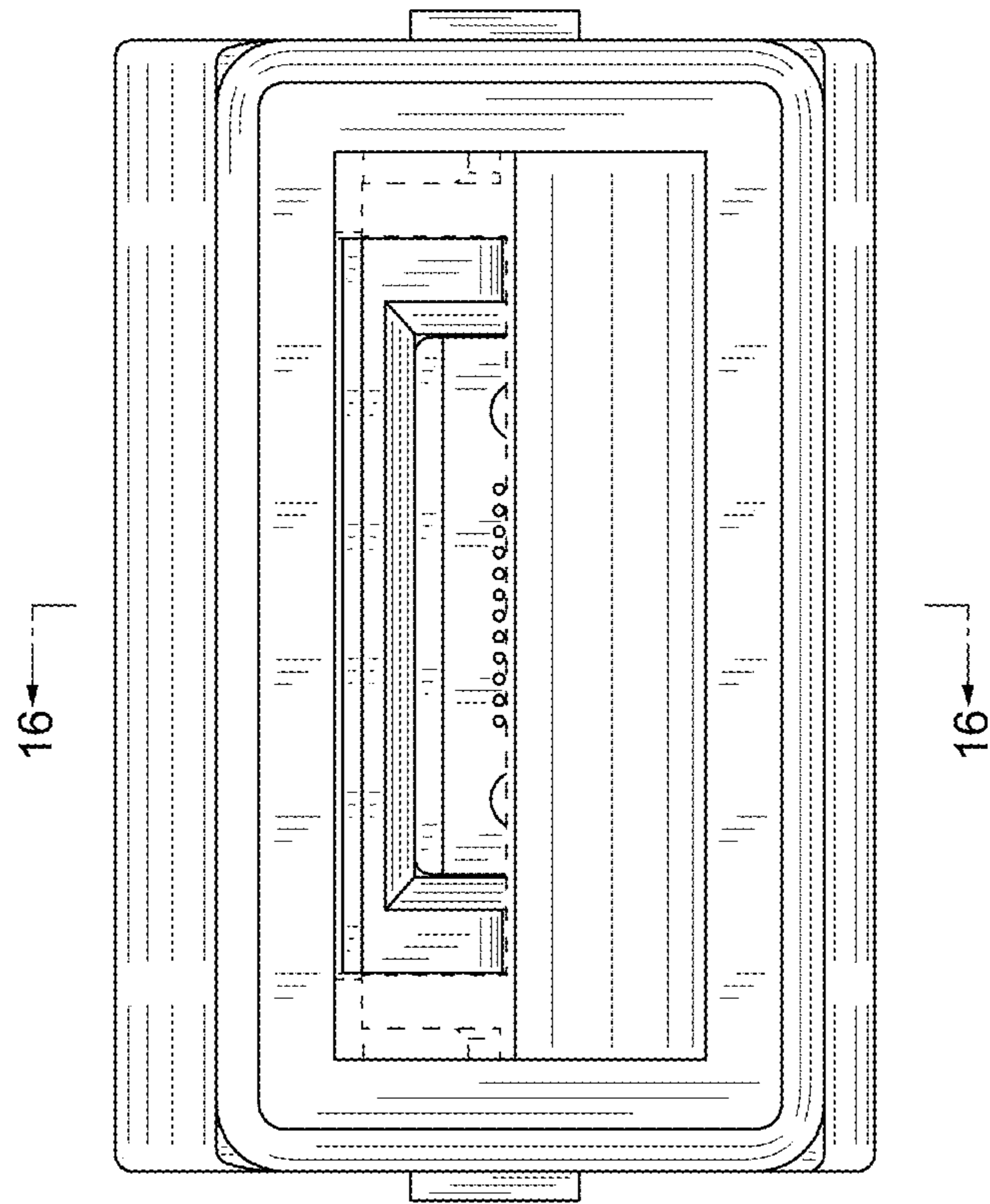


FIG. 15

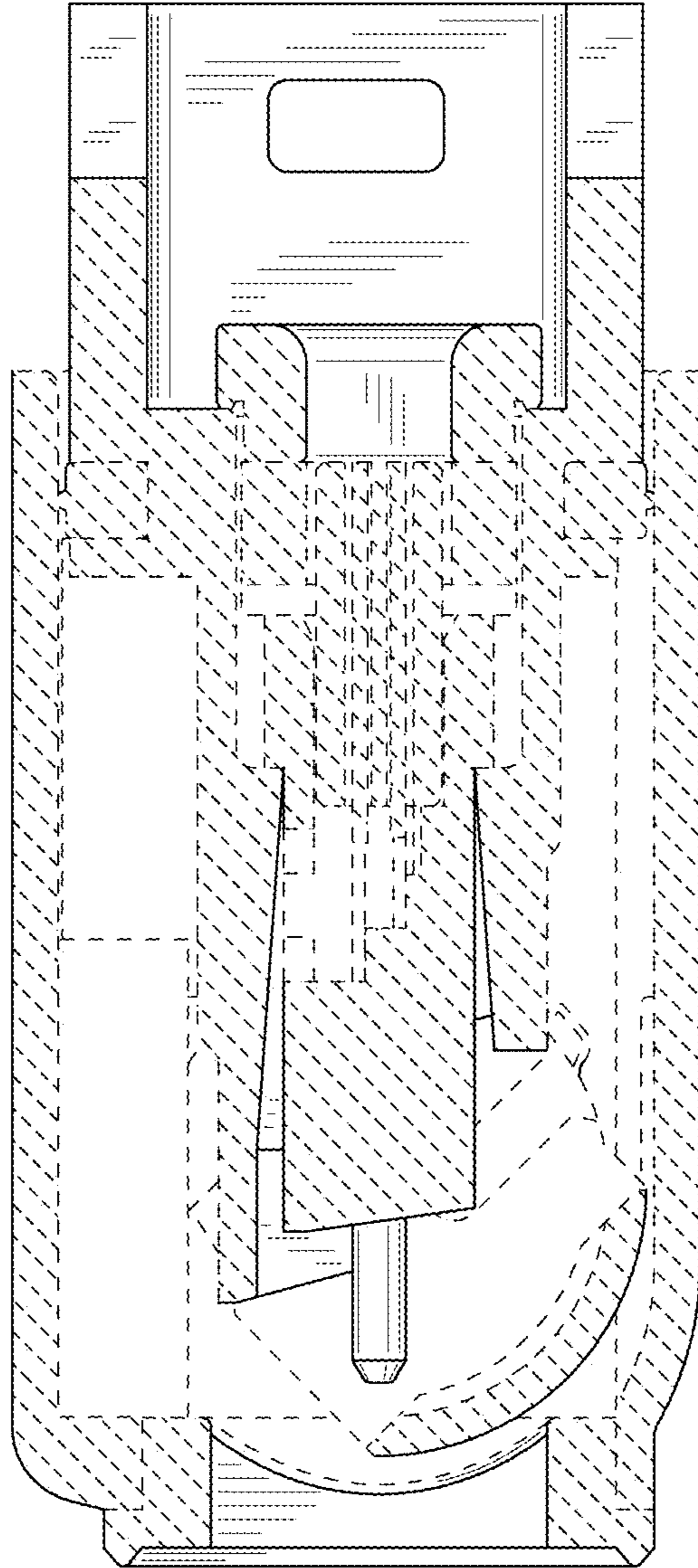


FIG. 16

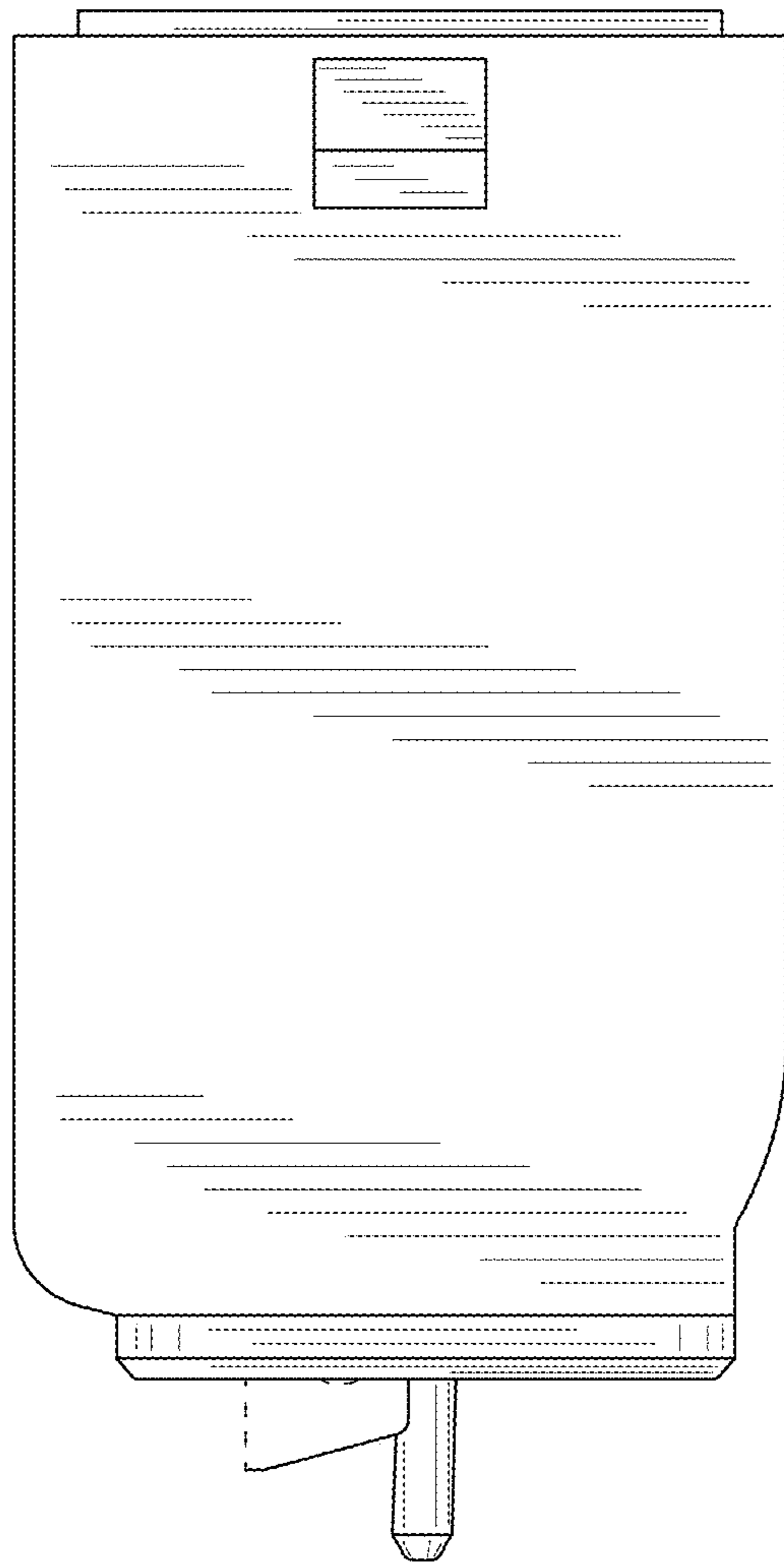


FIG. 17

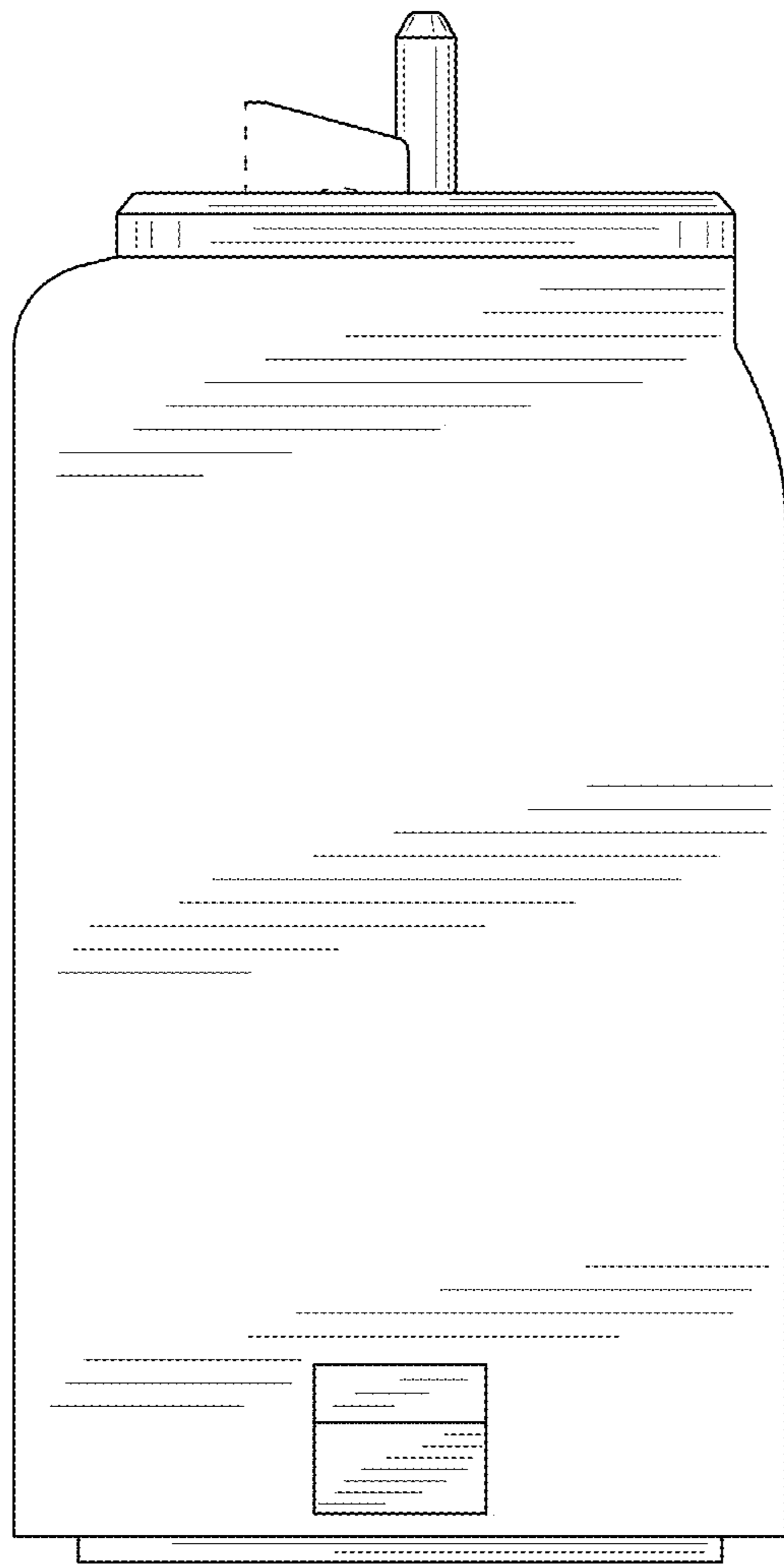


FIG. 18

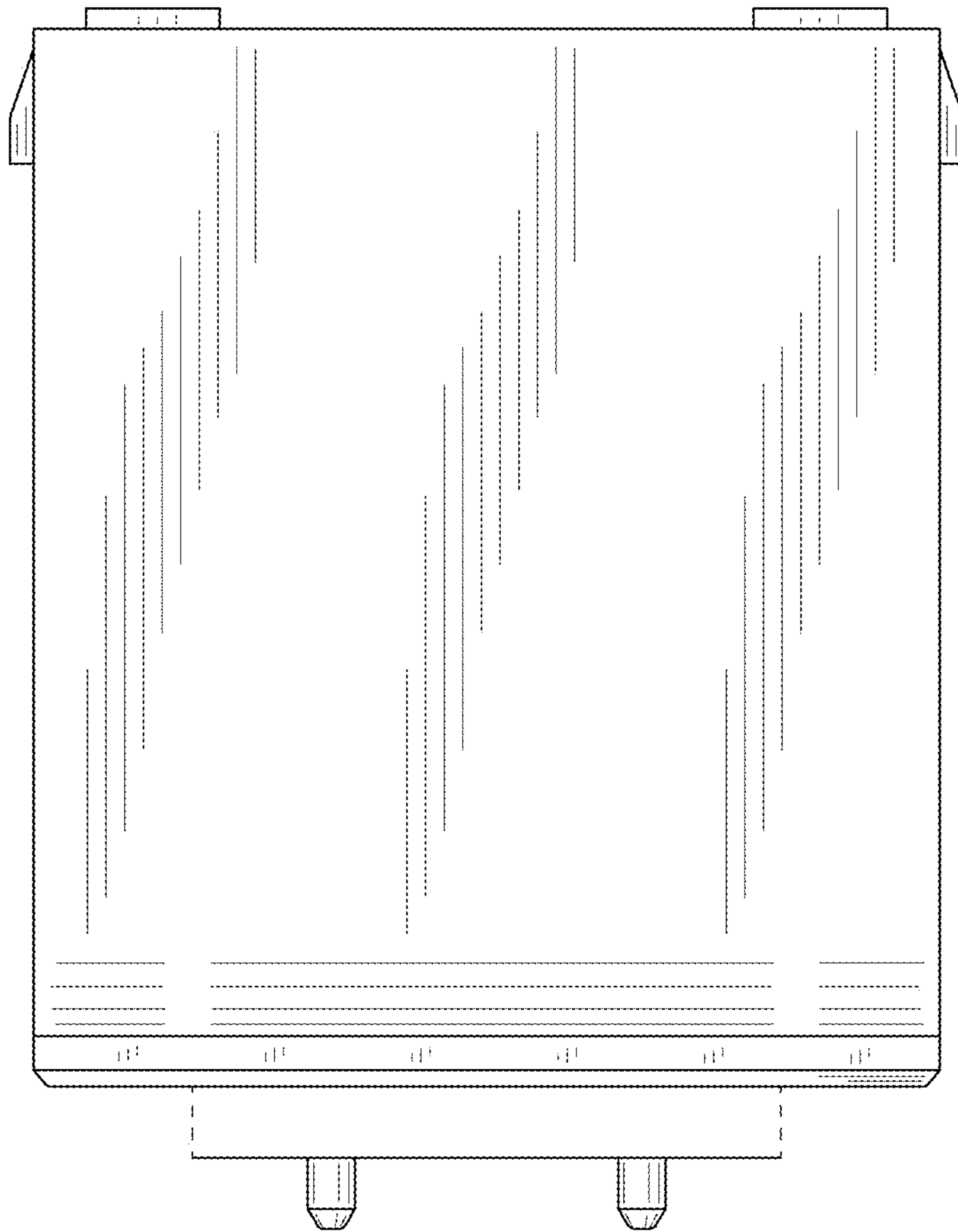


FIG. 19

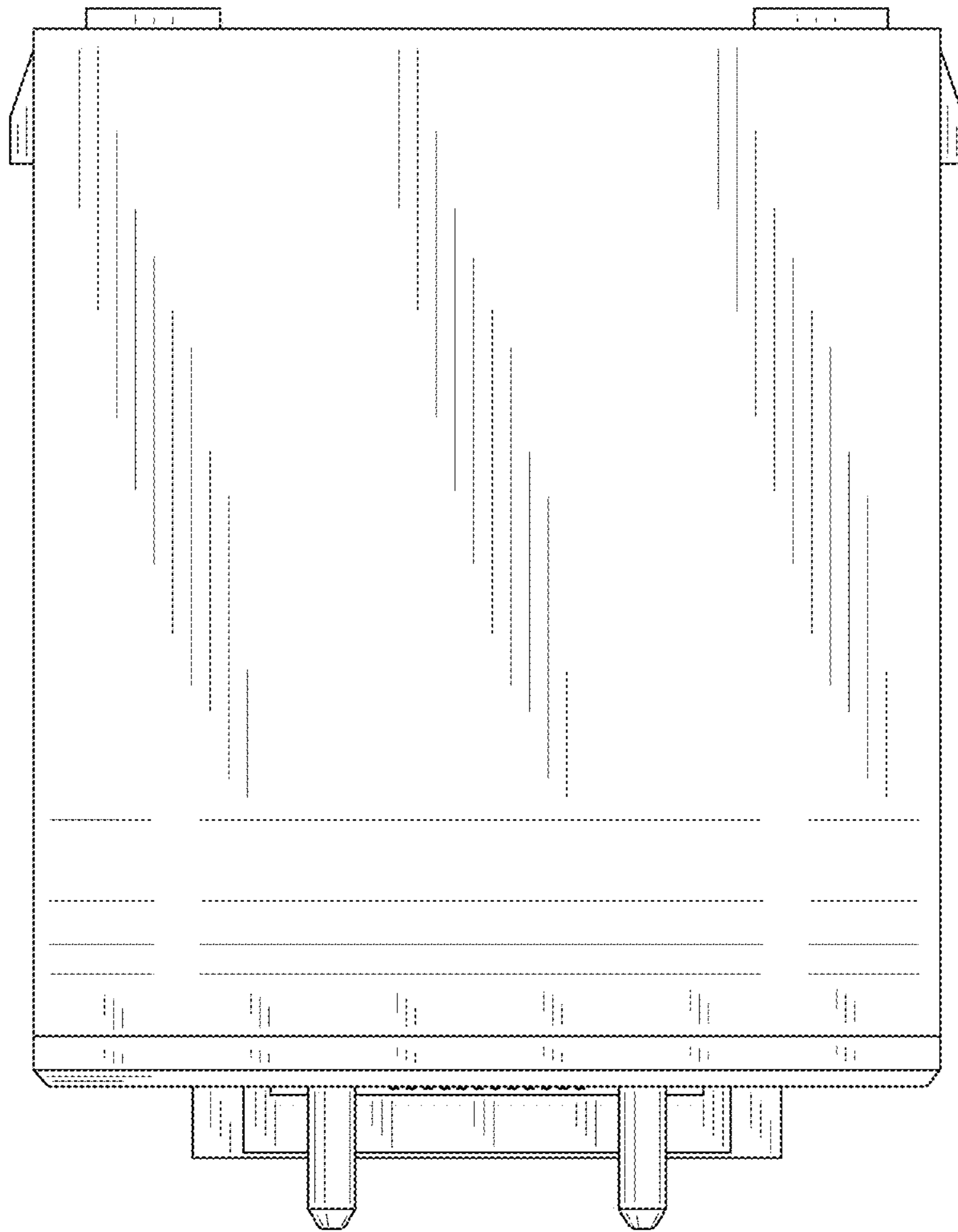


FIG. 20

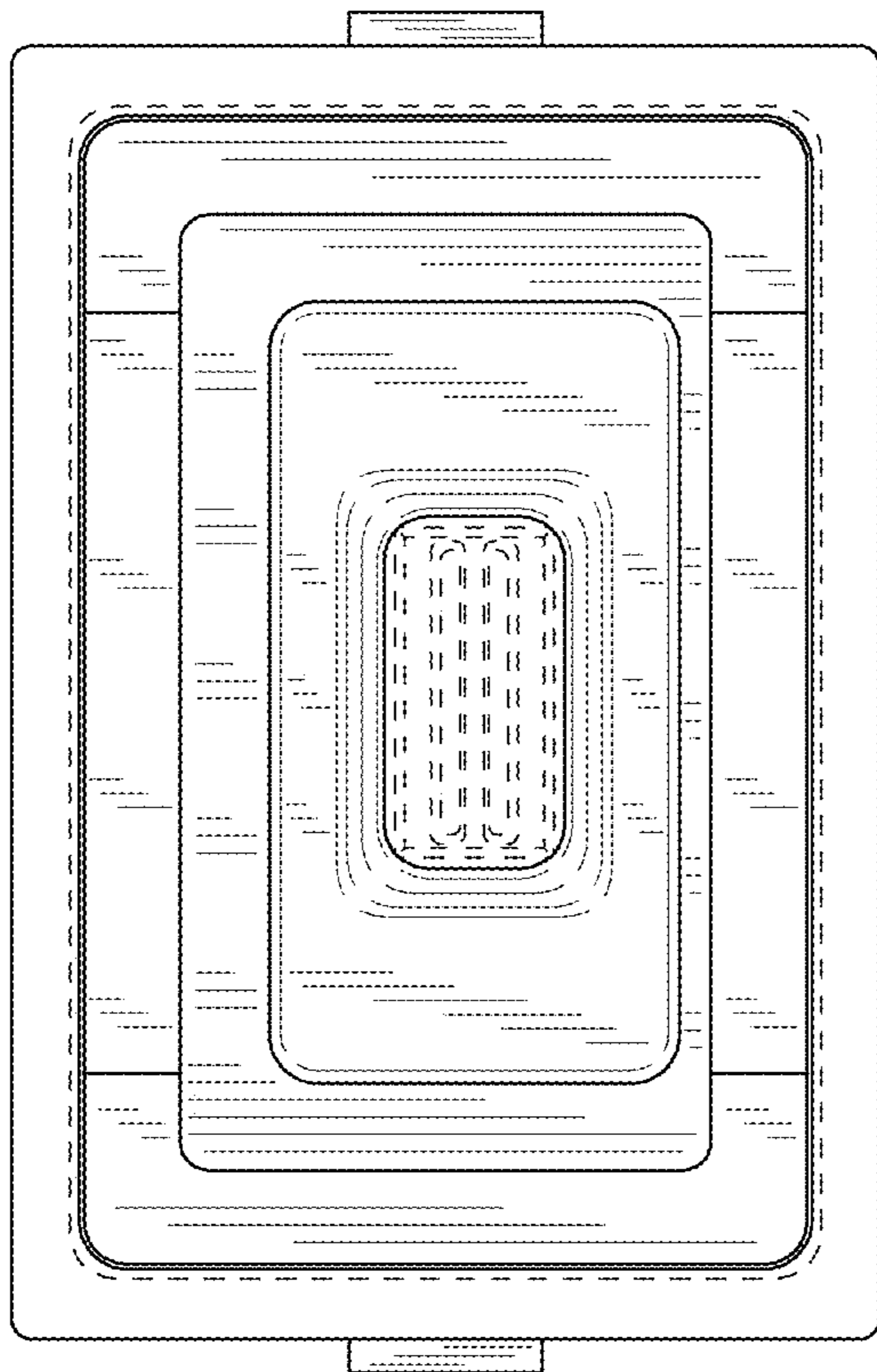


FIG. 21

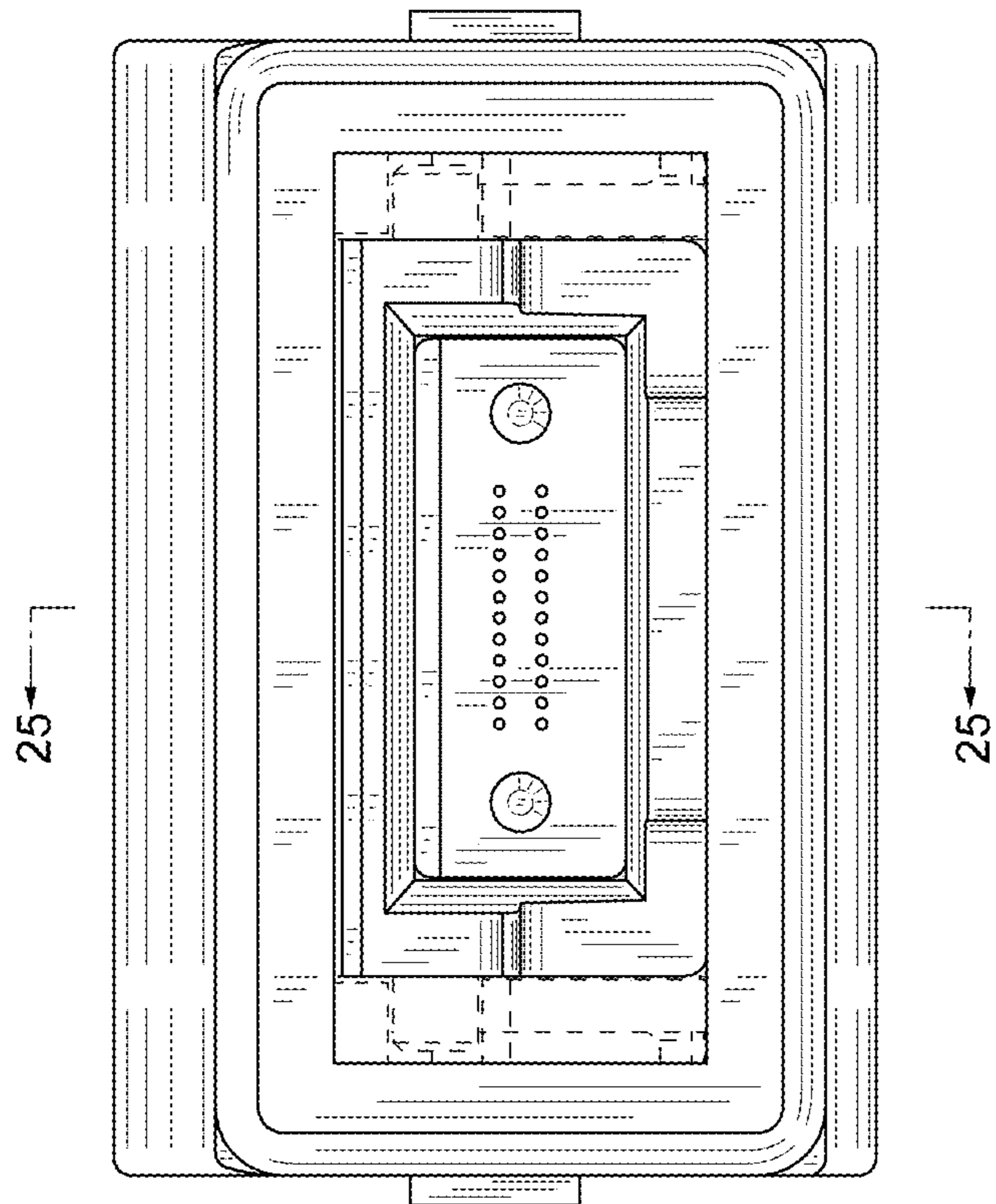


FIG. 22

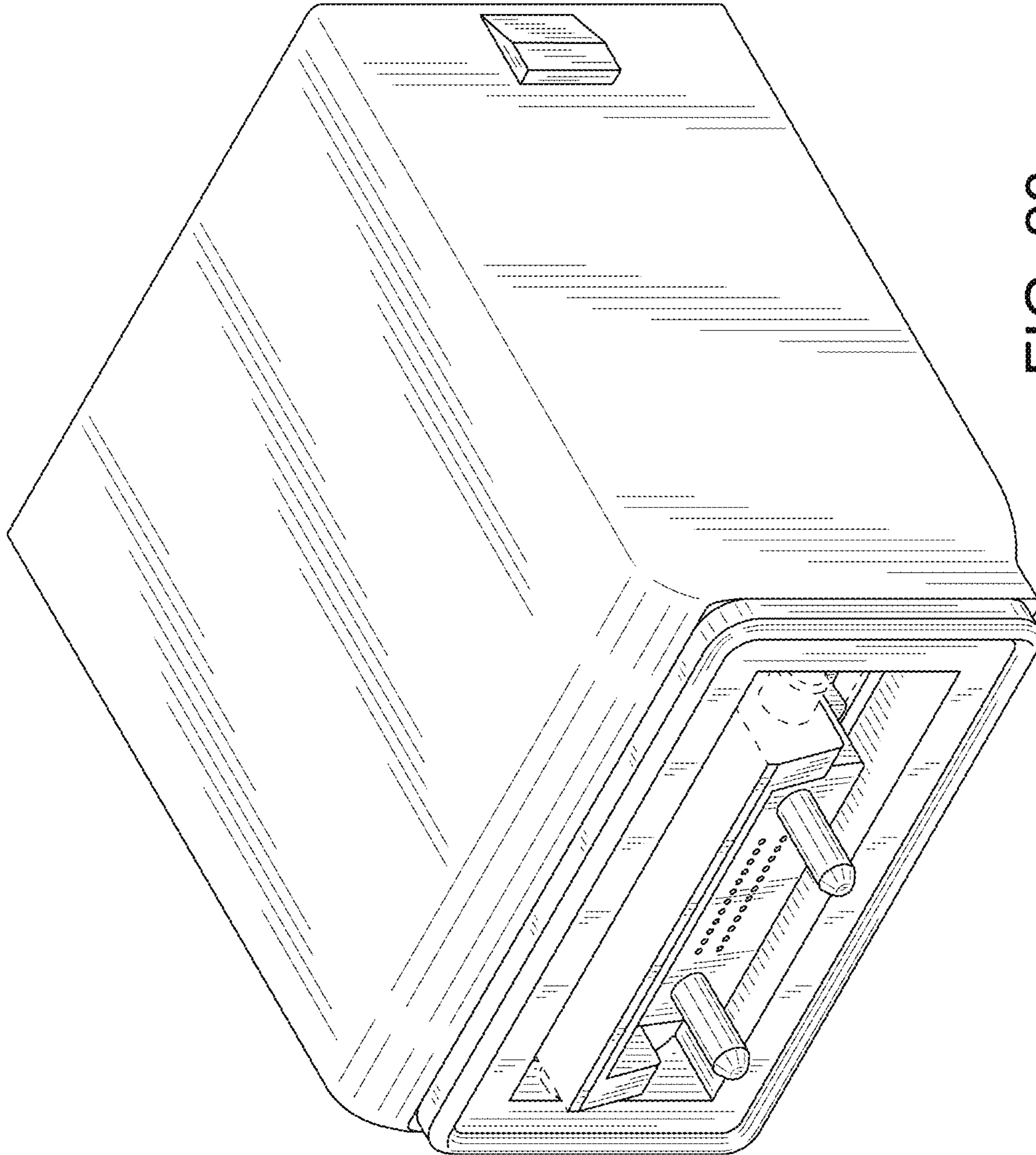


FIG. 23

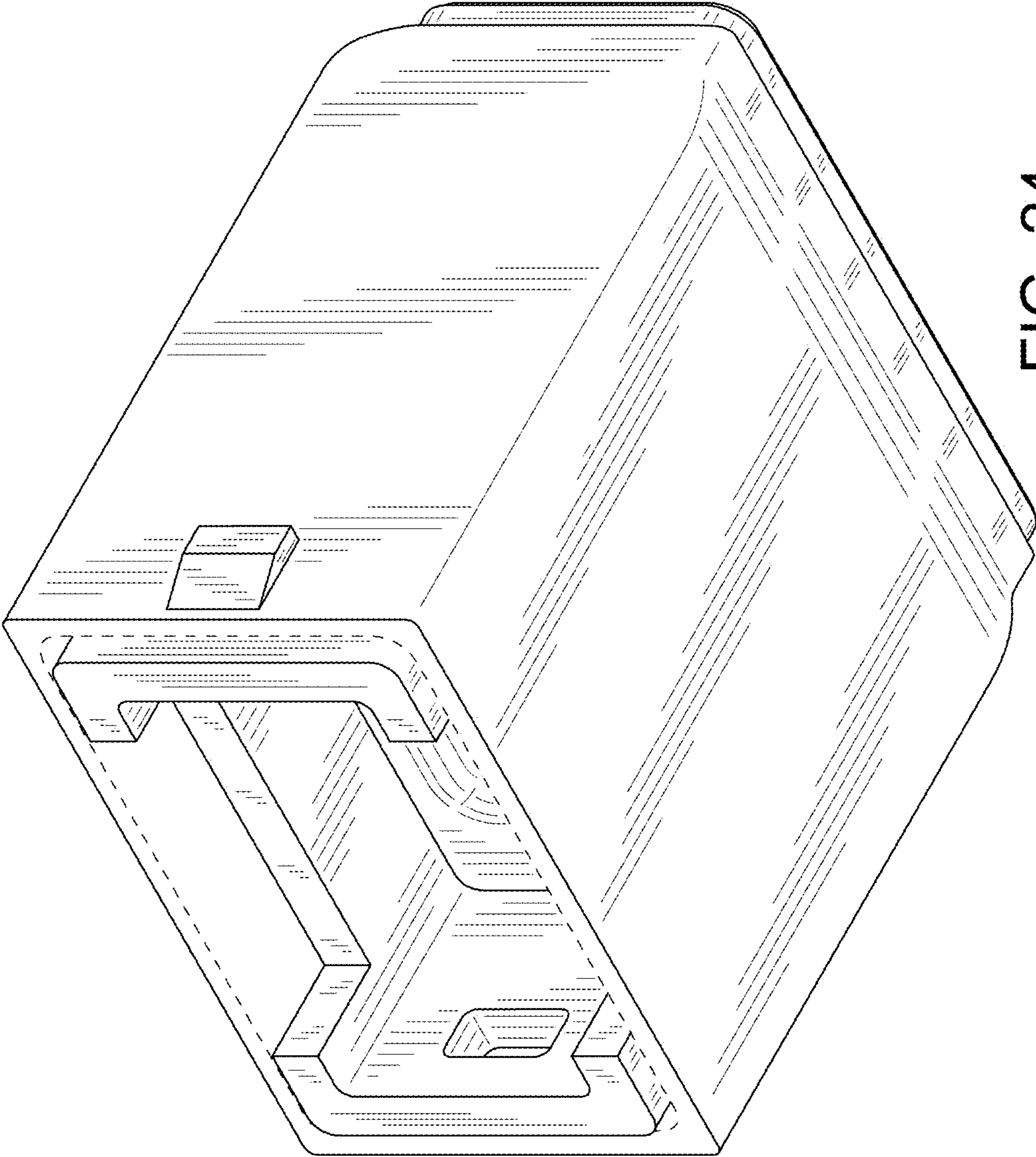


FIG. 24

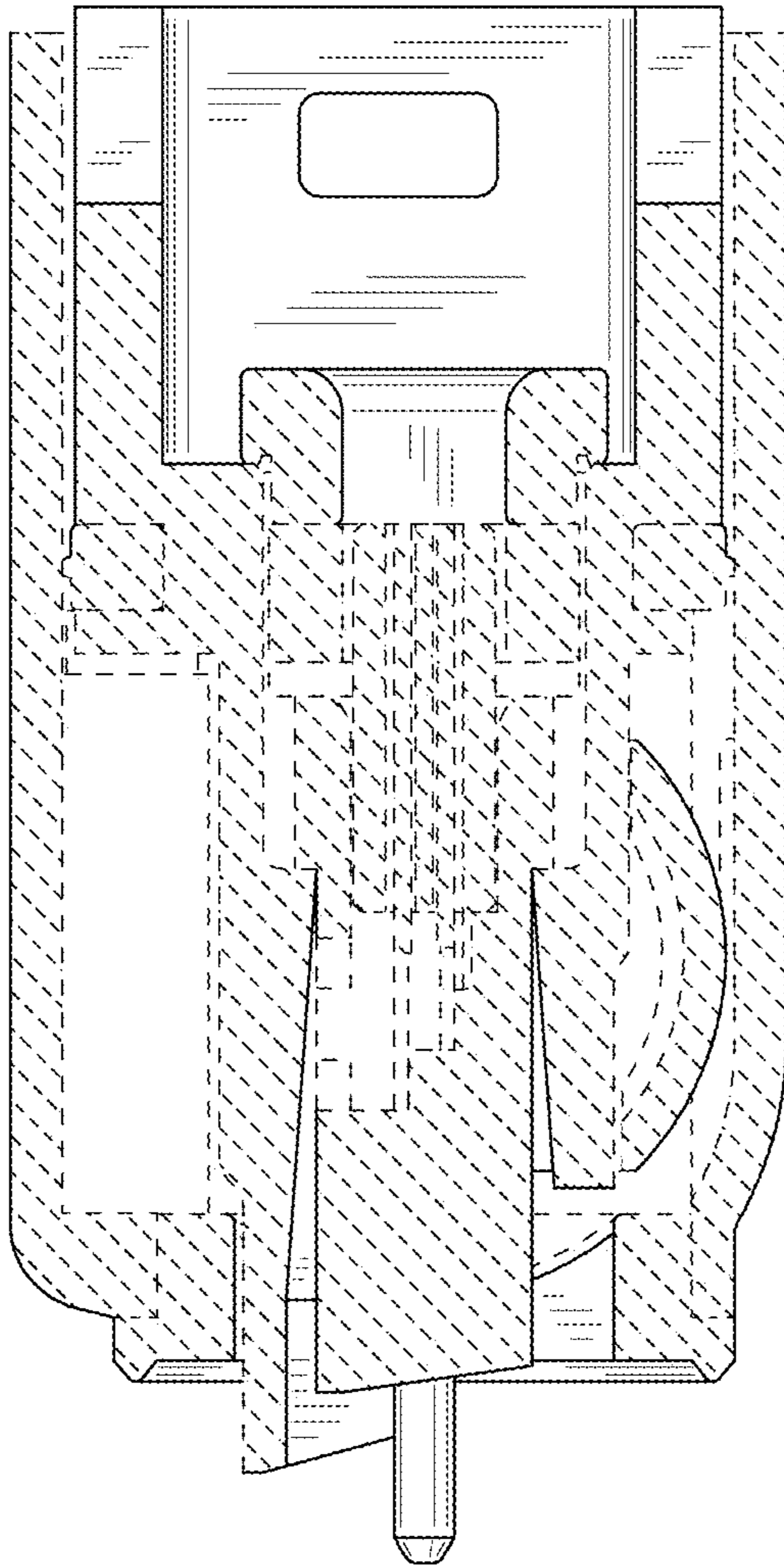


FIG. 25