



US00D908087S

(12) **United States Design Patent**
Lostoski

(10) **Patent No.:** **US D908,087 S**
(45) **Date of Patent:** **** Jan. 19, 2021**

- (54) **CONNECTOR**
- (71) Applicant: **Rockwell Automation Asia Pacific Business Ctr. Pte. Ltd.**, Singapore (SG)
- (72) Inventor: **Douglas A. Lostoski**, Richfield, OH (US)
- (73) Assignee: **Rockwall Automation Asia Pacific Business Ctr. Pte. Ltd.**, Singapore (SG)

6,916,194	B2	7/2005	Sichner et al.	
D532,120	S *	11/2006	Holztrager	D25/123
D552,544	S	10/2007	Sichner et al.	
D556,861	S *	12/2007	Yokohari	D23/233
D618,619	S *	6/2010	Walter	D13/147
7,871,292	B1 *	1/2011	Hu	H01R 13/502 439/501
9,325,110	B2	4/2016	Lostoski et al.	
9,485,879	B2	11/2016	Molnar et al.	
D776,830	S *	1/2017	Malpesa Guerrero	D25/115
D782,983	S *	4/2017	Rajala	D13/158
D786,802	S *	5/2017	Majewski	D13/160
D807,821	S	1/2018	Molnar	
D817,272	S *	5/2018	Molnar	D13/110

(Continued)

(**) Term: **15 Years**

(21) Appl. No.: **29/625,685**

(22) Filed: **Nov. 11, 2017**

(51) **LOC (13) Cl.** **13-03**

(52) **U.S. Cl.**
USPC **D13/133**

(58) **Field of Classification Search**
USPC D13/110, 118, 123, 133, 146, 147, 152, D13/154, 156, 158, 159, 161, 173, 177, D13/183, 199; D6/683.1; D25/115, 119, D25/122, 123, 138
CPC A47F 5/08; F21S 8/00; H01R 9/26; H01R 13/60; H01R 13/72; H05K 5/00; H05K 5/0026; H05K 5/02; H05K 5/0221; H05K 7/00; H05K 7/14

See application file for complete search history.

(56) **References Cited**

U.S. PATENT DOCUMENTS

D318,130	S *	7/1991	Abbestam	D25/122
D400,270	S *	10/1998	Current	D25/123
5,983,574	A *	11/1999	Holztrager	A47F 5/0846 211/87.01
6,431,909	B1	8/2002	Nolden et al.	
D504,526	S *	4/2005	Perkins	D25/138

Primary Examiner — Angela J Lee

Assistant Examiner — Shawn T Gingrich

(74) *Attorney, Agent, or Firm* — Fay Sharpe LLP

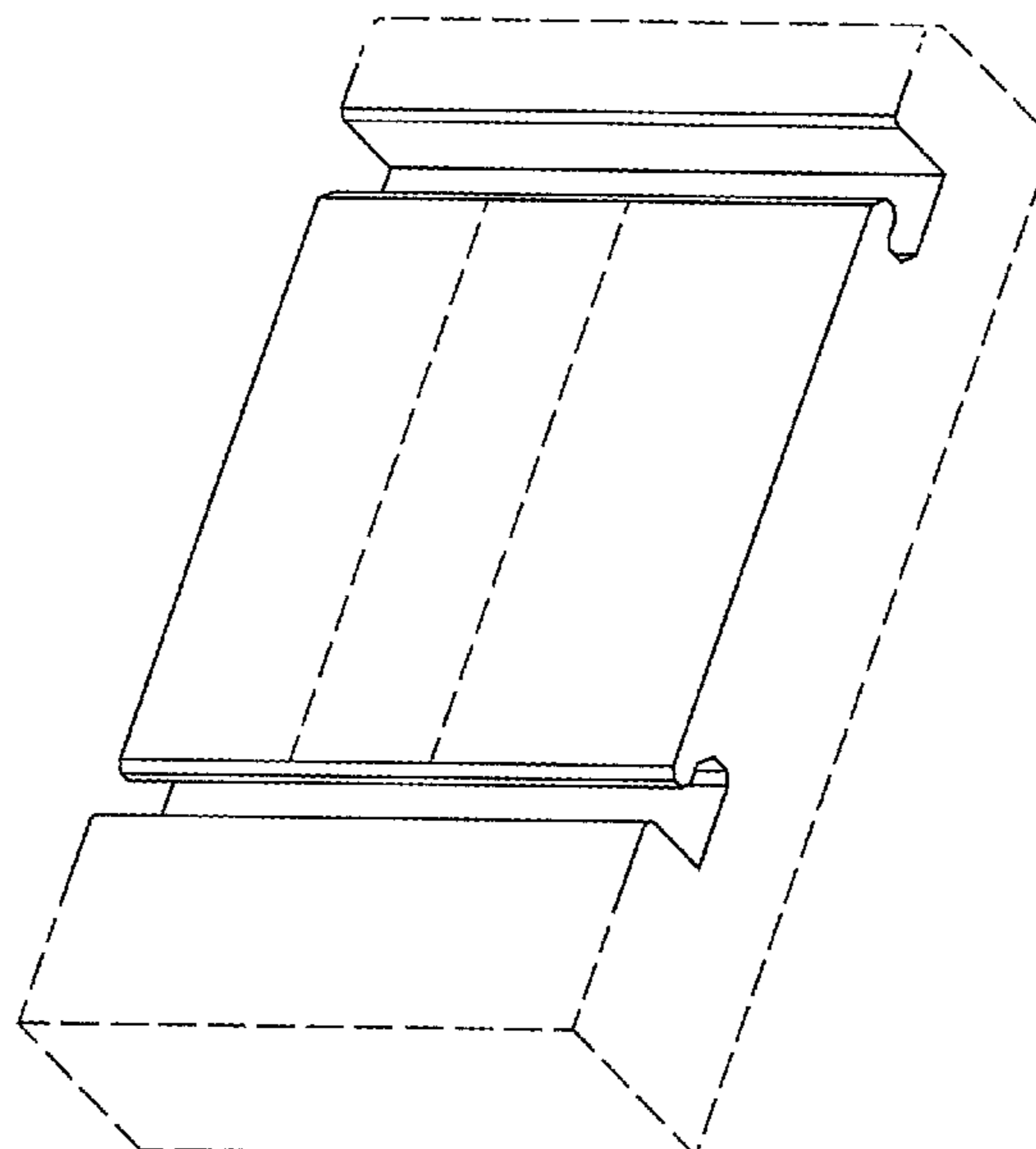
(57) **CLAIM**

The ornamental design for a connector, as shown and described.

DESCRIPTION

FIG. 1 is an isometric view of a connector showing my new design;
 FIG. 2 is a front view of a connector showing my new design;
 FIG. 3 is a left side view of a connector showing my new design;
 FIG. 4 is a top view of a connector showing my new design;
 FIG. 5 is a right side view of a connector showing my new design;
 FIG. 6 is a rear view of a connector showing my new design;
 and,
 FIG. 7 is a bottom view of a connector showing my new design.
 Broken lines in the drawings are used to depict environment and do not form any part of the claimed design.

1 Claim, 3 Drawing Sheets



(56)

References Cited

U.S. PATENT DOCUMENTS

10,367,295	B2 *	7/2019	Huang	H05K 7/14
2006/0012977	A1 *	1/2006	Joseph	F21V 21/35
					362/147
2006/0091094	A1 *	5/2006	Schuberth	A47F 5/0846
					211/94.01
2008/0299820	A1 *	12/2008	Schelonka	H01R 9/2608
					439/532
2010/0028592	A1 *	2/2010	Barkdoll	A47F 5/0846
					428/99
2010/0285690	A1 *	11/2010	Molnar	H01R 9/2608
					439/532
2010/0314522	A1 *	12/2010	Molnar	H02B 1/052
					248/346.06
2011/0090688	A1 *	4/2011	Lai	F21V 15/01
					362/235

* cited by examiner

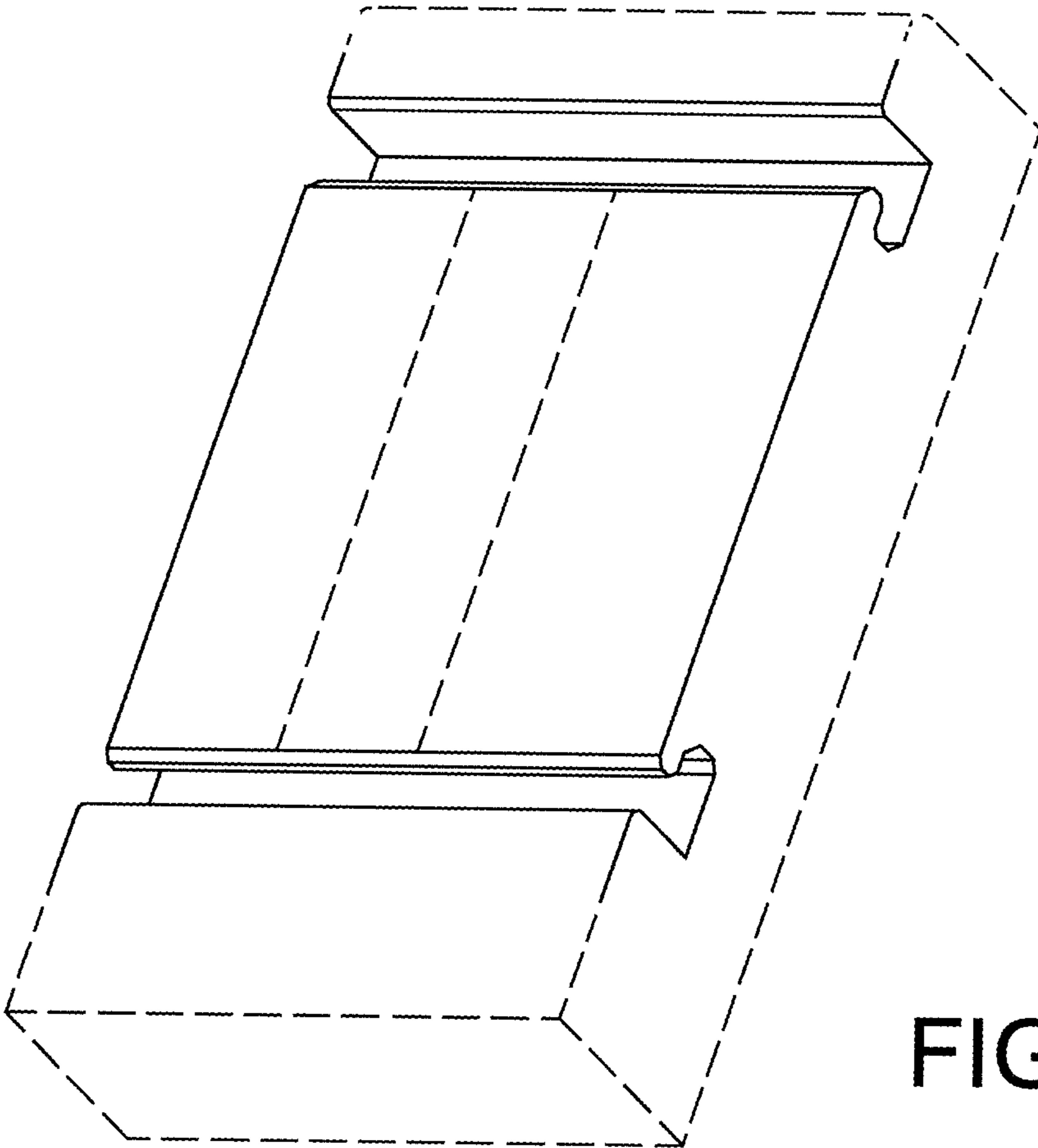


FIG.1

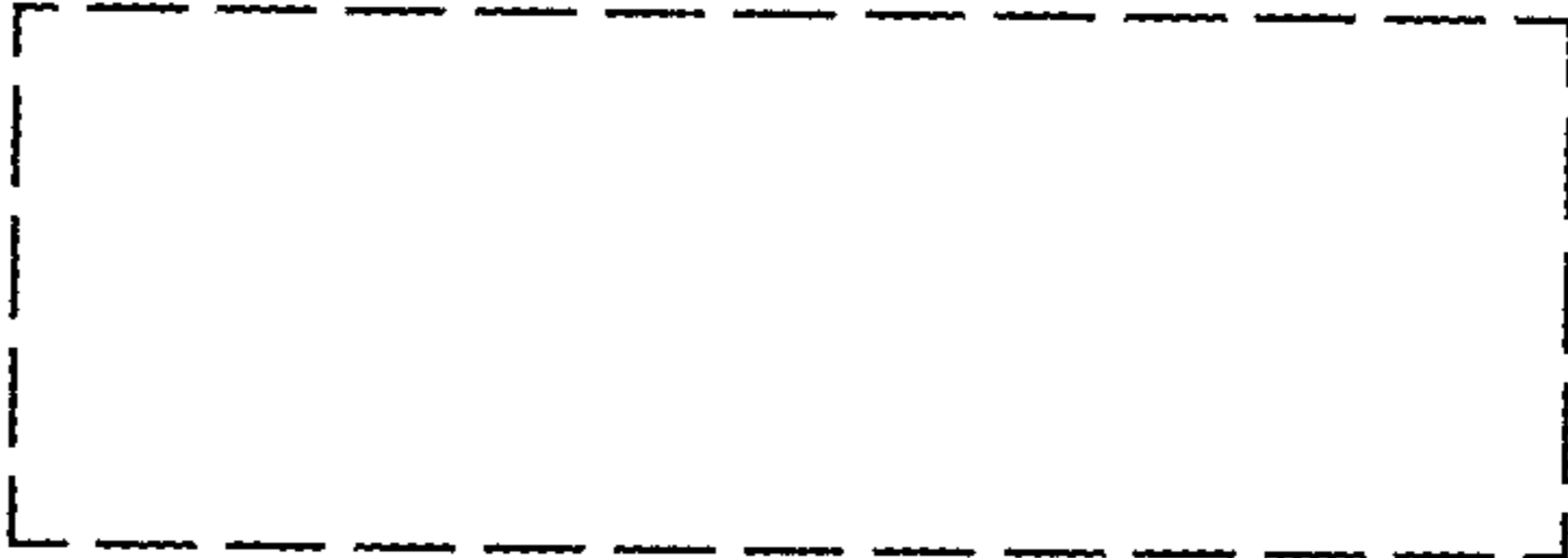


FIG. 4

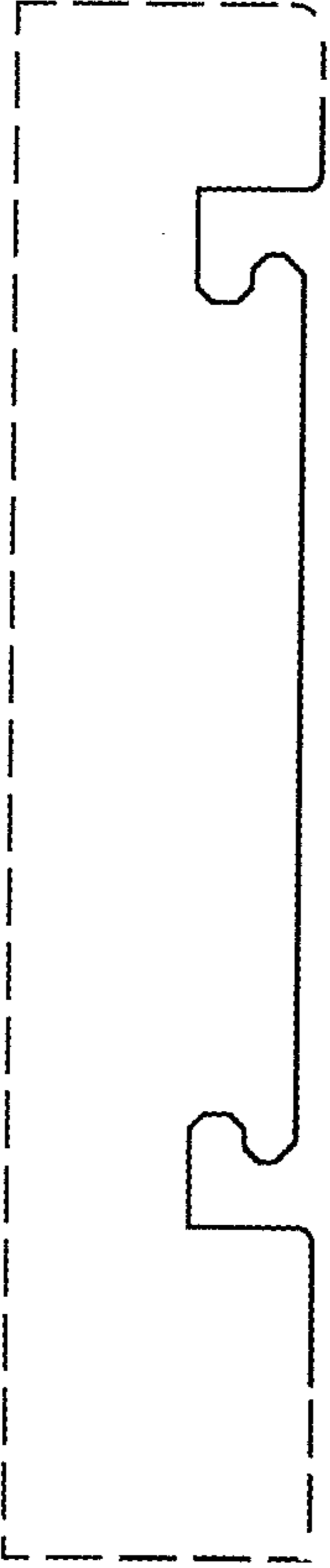


FIG. 3

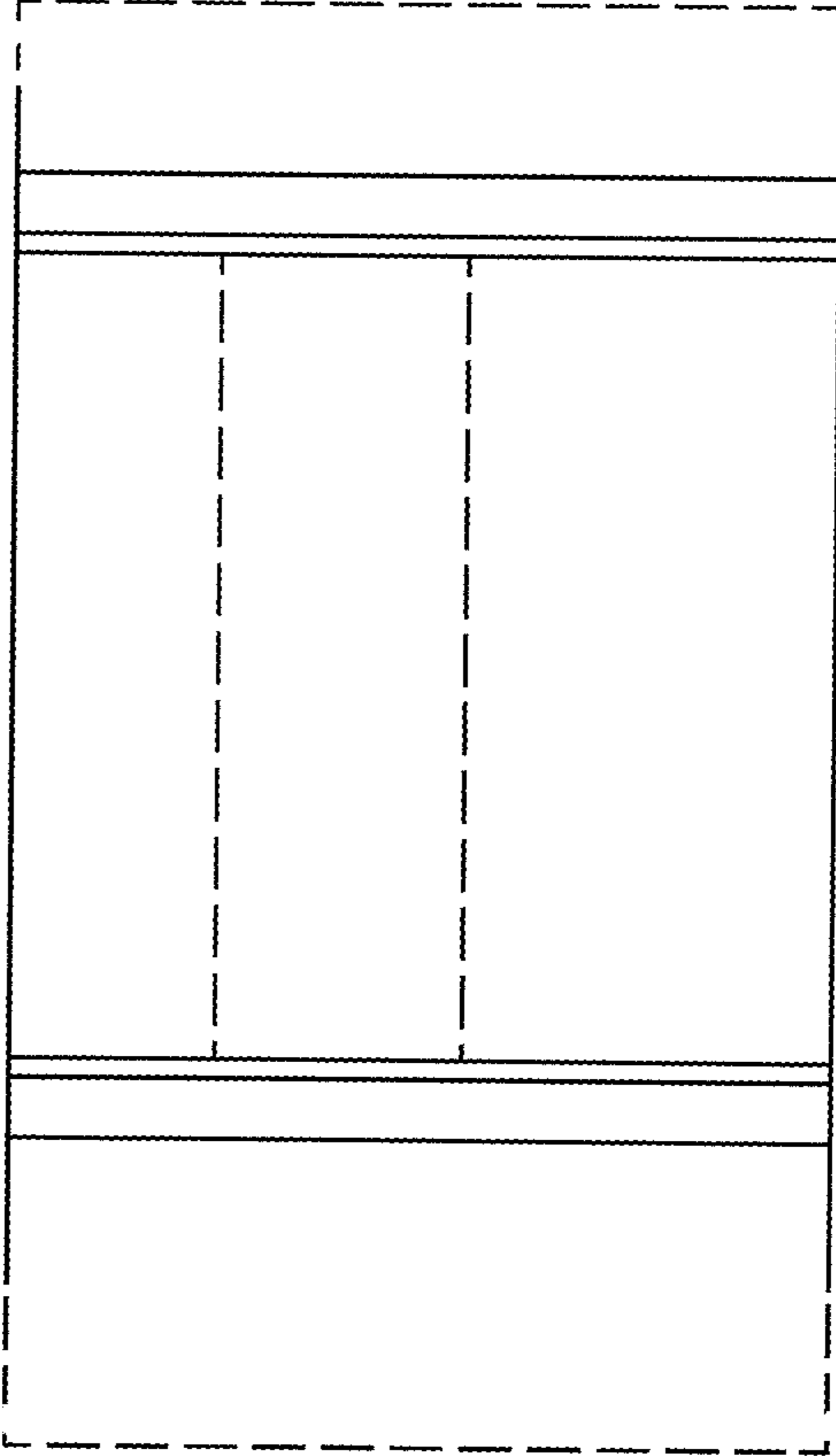


FIG. 2

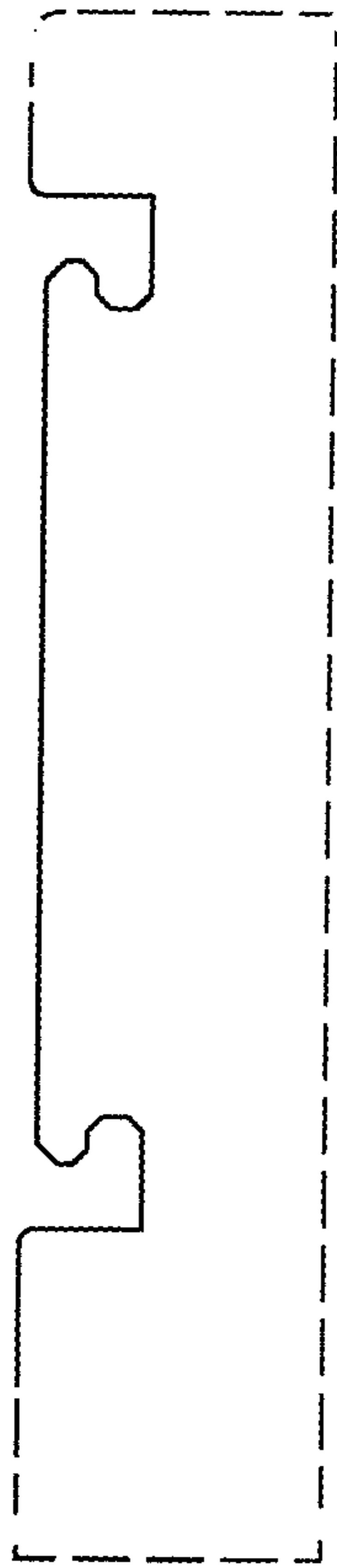


FIG. 5

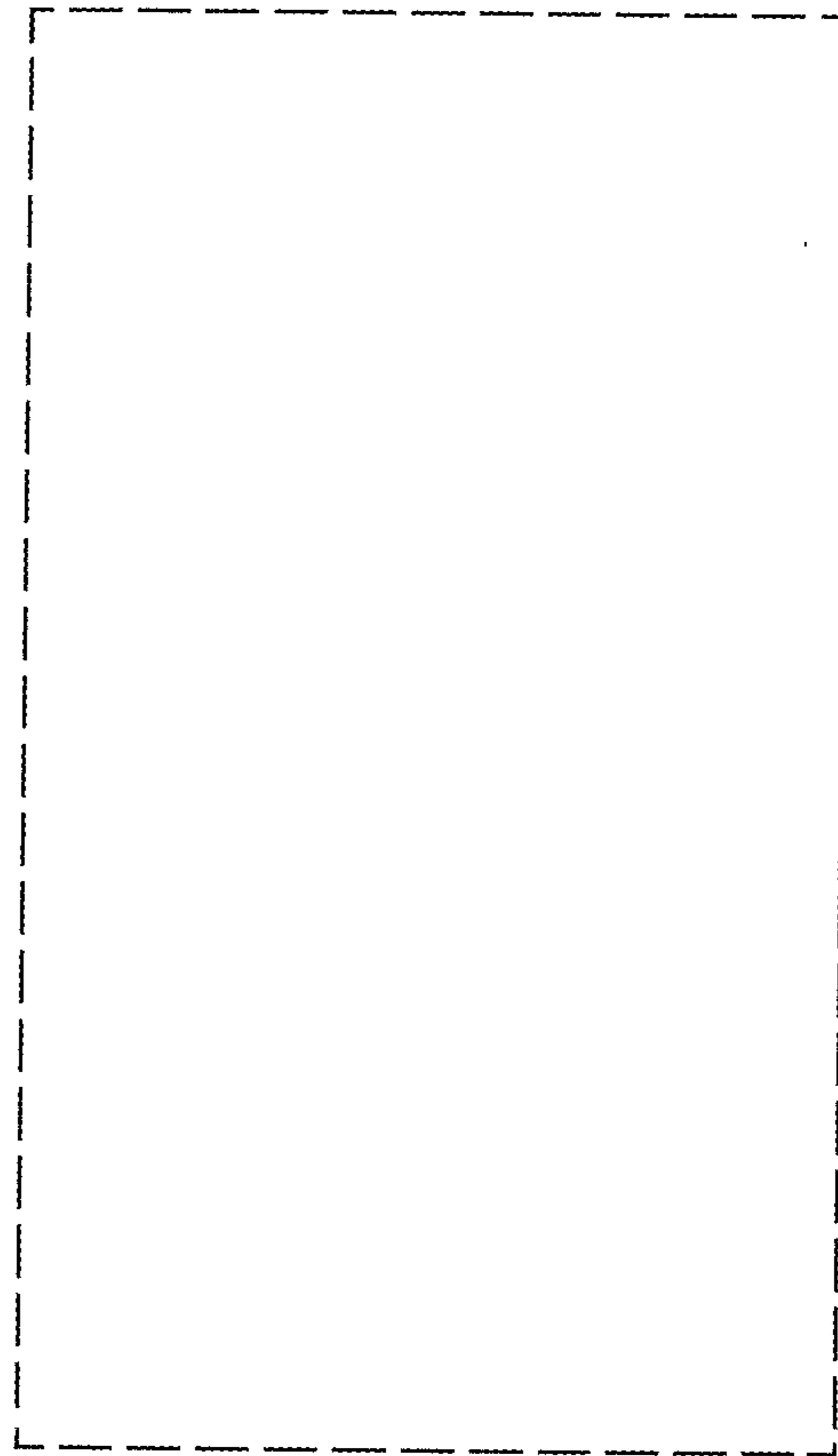


FIG. 6



FIG. 7