



US00D908086S

(12) **United States Design Patent**
Chang et al.

(10) **Patent No.:** **US D908,086 S**
(45) **Date of Patent:** **** Jan. 19, 2021**

(54) **RECTIFIER UNIT OF AC GENERATOR**

(71) Applicant: **Victory Industrial Corporation**, New Taipei (TW)

(72) Inventors: **Hung-Chih Chang**, New Taipei (TW);
Fu-Sheng Liang, New Taipei (TW)

(73) Assignee: **Victory Industrial Corporation**, New Taipei (TW)

(**) Term: **15 Years**

(21) Appl. No.: **29/662,484**

(22) Filed: **Sep. 6, 2018**

(30) **Foreign Application Priority Data**

Mar. 15, 2018 (TW) 107301465

(51) **LOC (13) Cl.** **13-01**

(52) **U.S. Cl.**
USPC **D13/122**

(58) **Field of Classification Search**
USPC D13/122, 101, 110, 112, 113, 114, 118,
D13/184, 199; D15/1, 3, 5, 199;
310/68 C, 68 D, 68 R, 85; 361/688, 692,
361/693; 363/144, 145
CPC H02K 11/04; H02K 11/046; H02K 11/048;
H02K 11/049; H02K 19/365
See application file for complete search history.

(56) **References Cited**

U.S. PATENT DOCUMENTS

D266,558 S *	10/1982	Breen	D12/123
6,707,691 B2 *	3/2004	Bradfield	H01L 25/115 257/E25.026
6,787,952 B2 *	9/2004	Asao	H01L 25/115 257/E25.026
D621,416 S *	8/2010	Miyaji	D15/5
7,960,880 B2 *	6/2011	Hino	H02K 11/048 310/68 D
D714,217 S *	9/2014	Tanaka	D13/122
9,184,643 B2 *	11/2015	Sekertzis	H02K 11/046
D820,785 S *	6/2018	Shinosaka	D13/122

* cited by examiner

Primary Examiner — Derrick E Holland

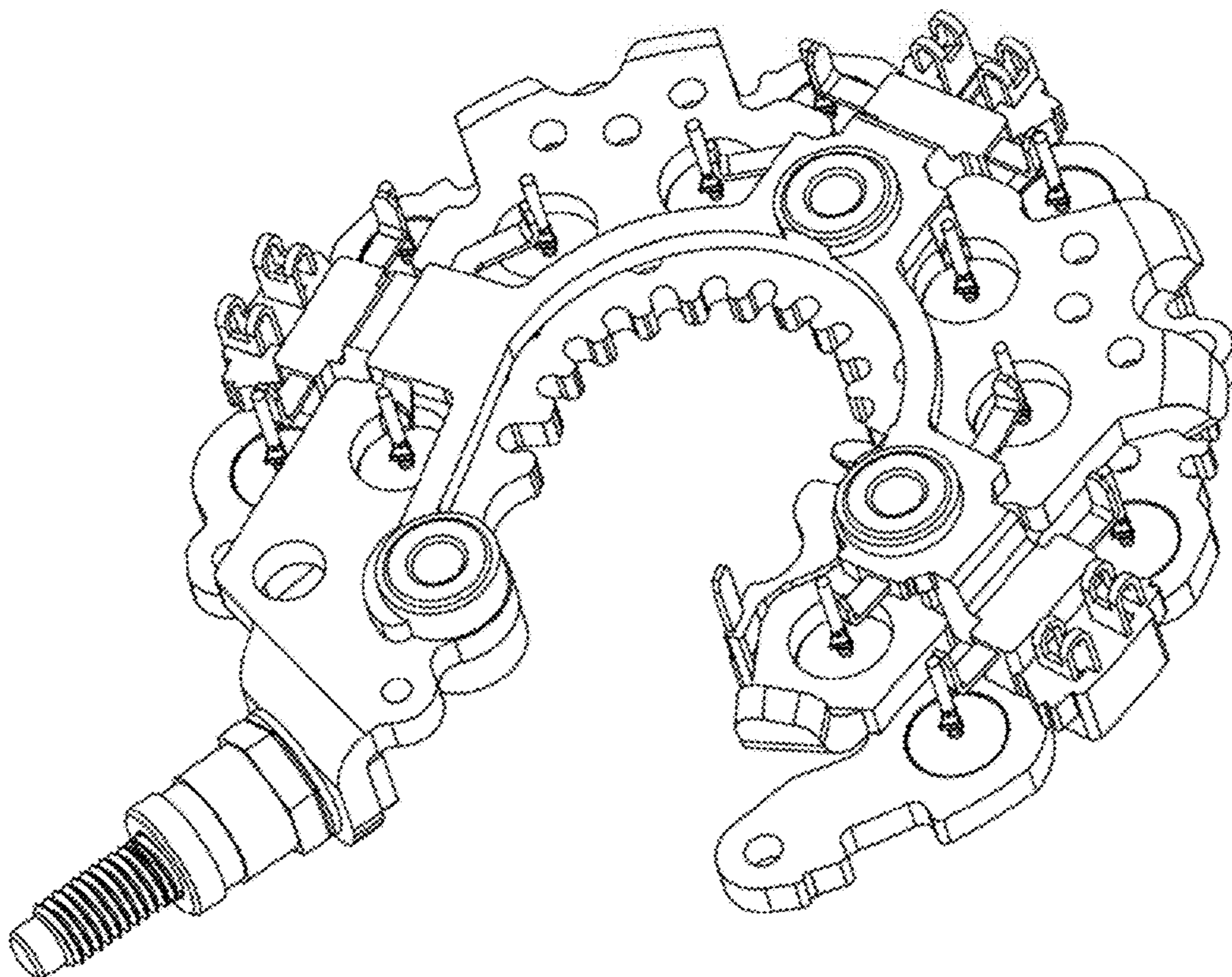
(57) **CLAIM**

The ornamental design for a rectifier unit of AC generator, as shown and described.

DESCRIPTION

FIG. 1 is a perspective view of a rectifier unit of AC generator showing our new design;
FIG. 2 is a front view thereof;
FIG. 3 is a rear view thereof;
FIG. 4 is a left view thereof;
FIG. 5 is a right view thereof
FIG. 6 is a top view thereof; and,
FIG. 7 is a bottom view thereof.

1 Claim, 5 Drawing Sheets



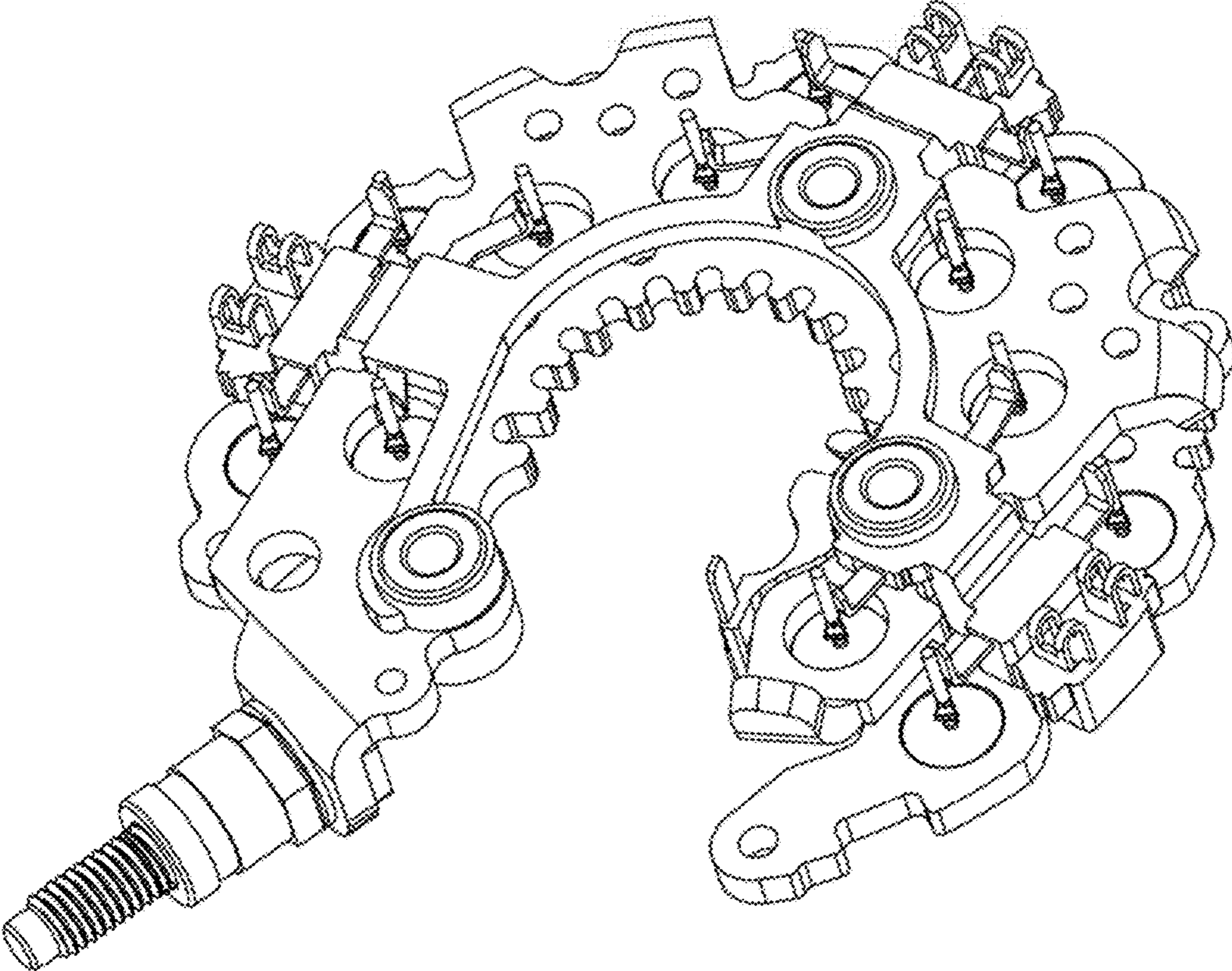


Fig. 1

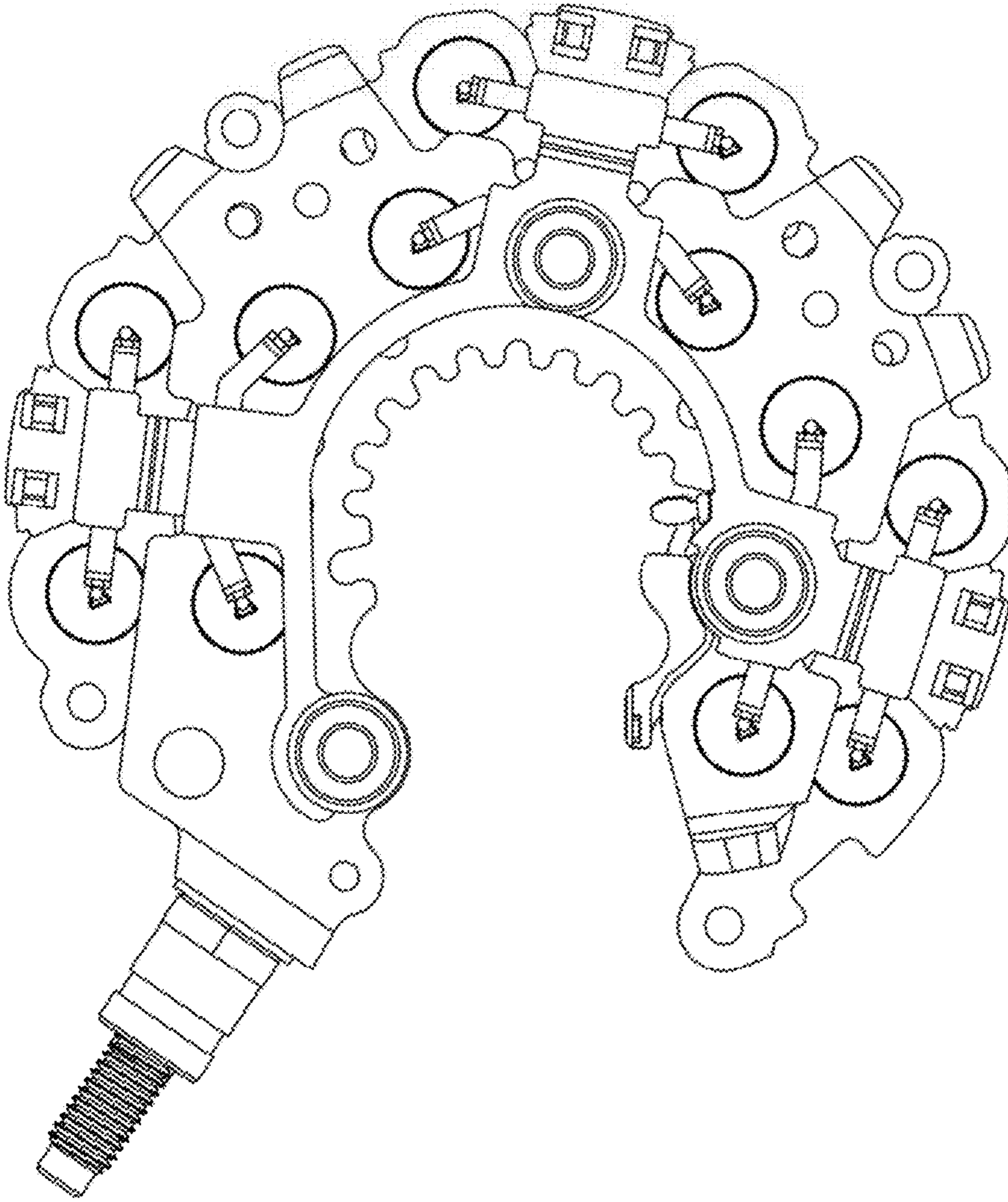


Fig. 2

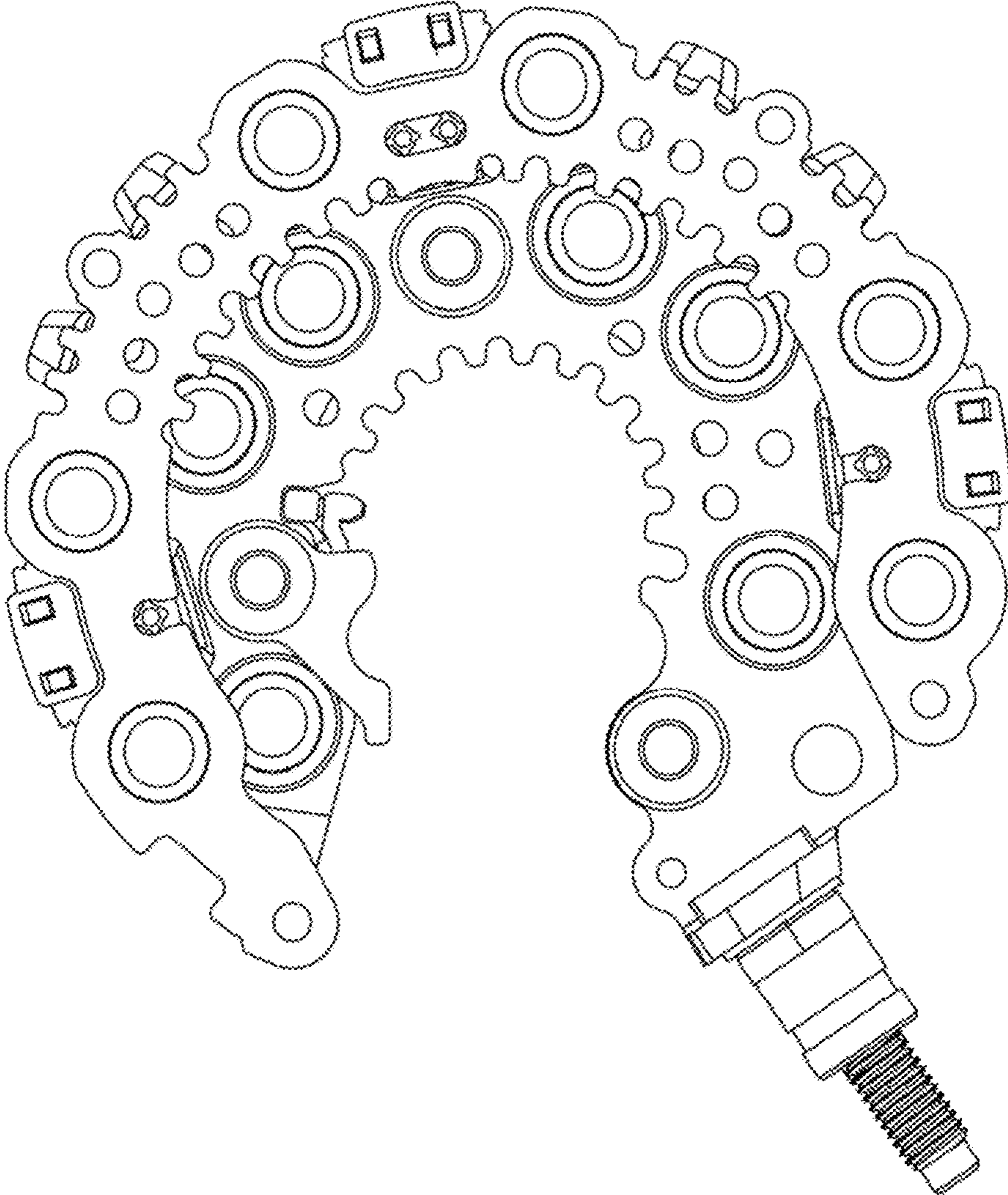


Fig. 3

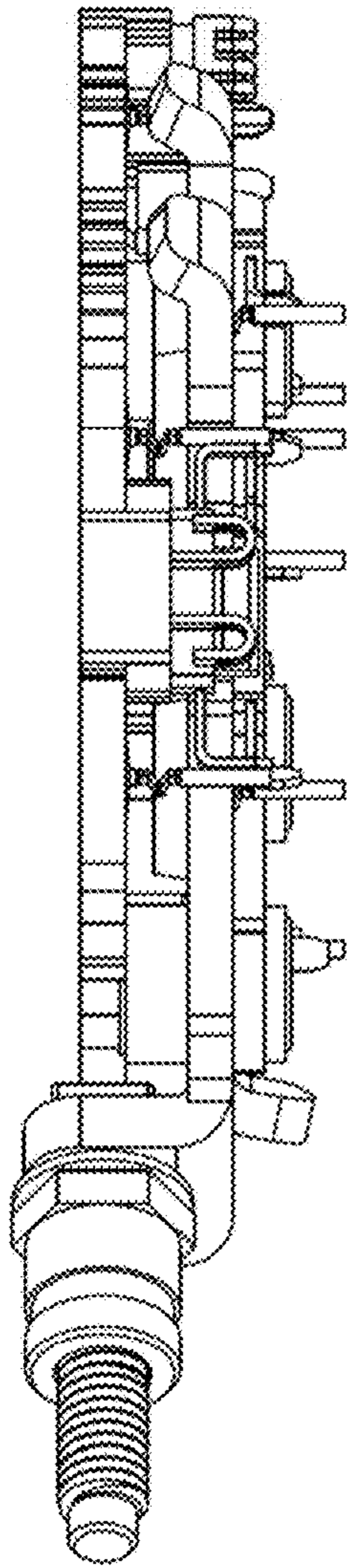


Fig. 4

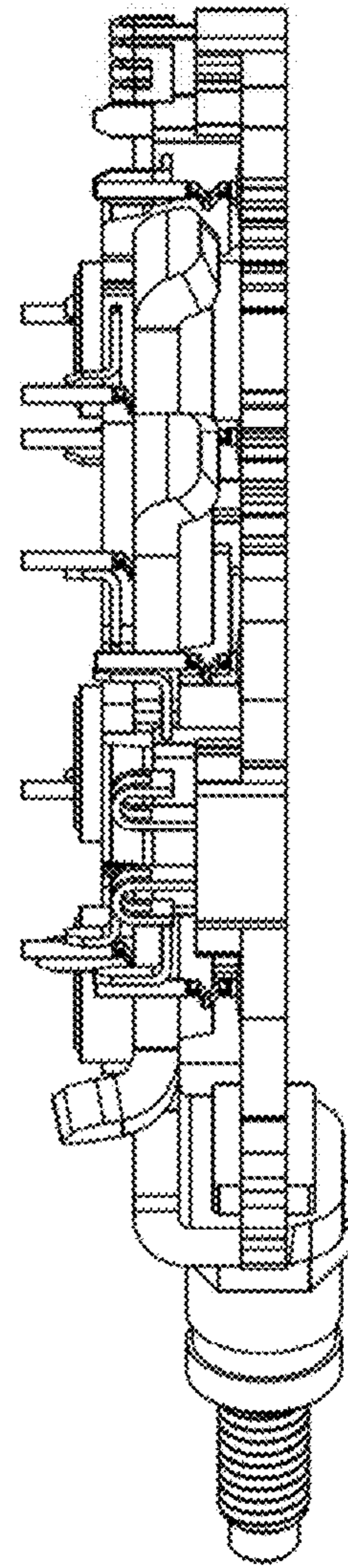


Fig. 5

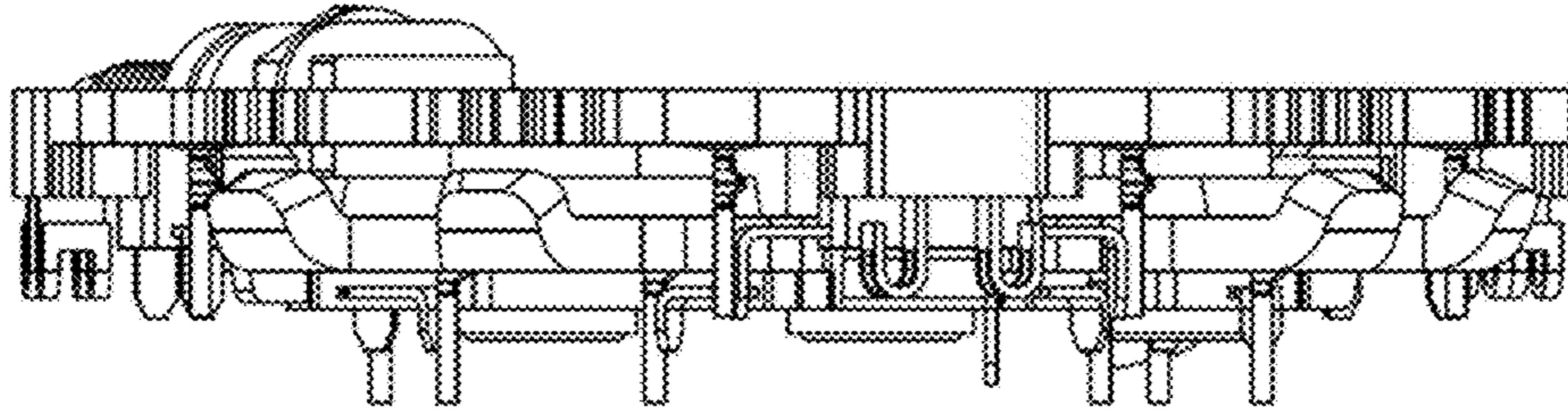


Fig. 6

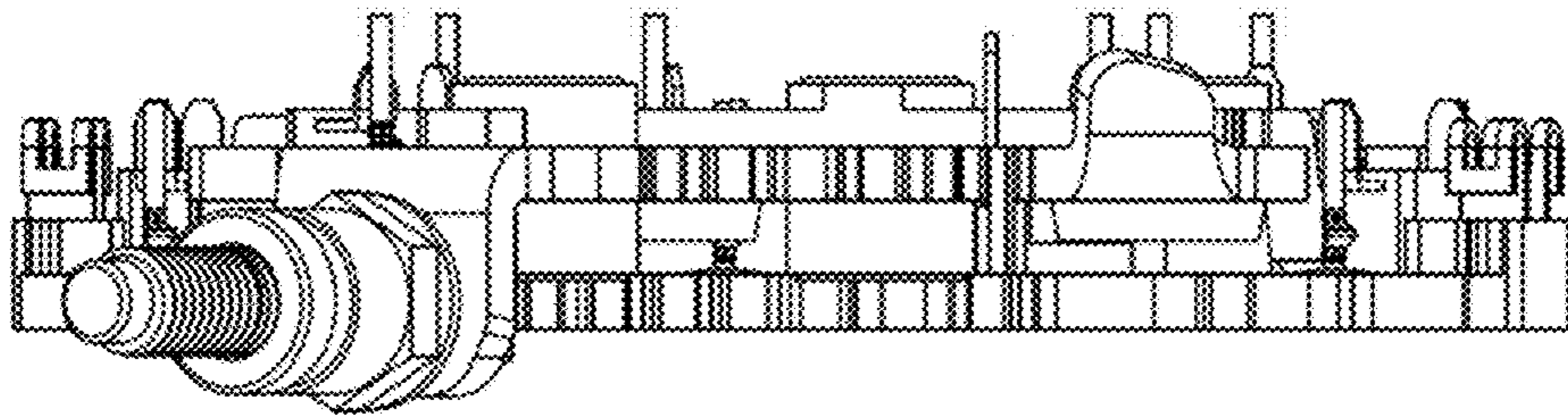


Fig. 7