



US00D908084S

(12) **United States Design Patent**  
**He**

(10) **Patent No.:** **US D908,084 S**

(45) **Date of Patent:** **\*\* Jan. 19, 2021**

(54) **CHARGING CASE**

(71) Applicant: **SHENZHEN QIANHAI PATUOXUN NETWORK AND TECHNOLOGY CO., LTD**, Shenzhen (CN)

(72) Inventor: **Yue He**, Shenzhen (CN)

(73) Assignee: **SHENZHEN QIANHAI PATUOXUN NETWORK AND TECHNOLOGY CO., LTD**, Shenzhen (CN)

(\*\*) Term: **15 Years**

(21) Appl. No.: **29/750,100**

(22) Filed: **Sep. 11, 2020**

(51) **LOC (13) Cl.** ..... **13-02**

(52) **U.S. Cl.**  
USPC ..... **D13/108; D3/294**

(58) **Field of Classification Search**  
USPC ..... D13/103, 107-110, 118-119, 184, 199;  
D3/201, 205, 208, 218, 273, 274, 294  
CPC .. H02J 50/00; H02J 50/10; H02J 50/12; H02J  
50/80; H02J 50/40; H02J 50/402; H02J  
50/50; H02J 7/025; H02J 7/005; H02J  
7/0044; H02J 7/0013; H02J 7/0003;  
A45C 2011/001; A45C 2011/002; A45C  
2011/003

See application file for complete search history.

(56) **References Cited**

**U.S. PATENT DOCUMENTS**

D553,077 S \* 10/2007 Kim ..... D13/108  
D572,654 S \* 7/2008 Kang ..... D13/107  
D586,557 S \* 2/2009 Jalet ..... D3/294  
D772,572 S \* 11/2016 Palmberg ..... D3/294  
D838,480 S \* 1/2019 Son ..... D3/294

D841,580 S \* 2/2019 Bao ..... D13/108  
D841,581 S \* 2/2019 Bonahoom ..... D13/108  
D864,110 S \* 10/2019 Yoshimura ..... D13/108  
D873,217 S \* 1/2020 Zhang ..... D13/108  
D878,048 S \* 3/2020 Wang ..... D3/294  
D886,454 S \* 6/2020 Williamson ..... D3/294  
D886,455 S \* 6/2020 Williamson ..... D3/294  
D887,351 S \* 6/2020 Bonahoom ..... D13/108  
D888,663 S \* 6/2020 Weng .....  
D892,045 S \* 8/2020 Zhang ..... D13/108  
D893,184 S \* 8/2020 Liu ..... D3/294  
D894,123 S \* 8/2020 Xiong ..... D13/108  
D902,588 S \* 11/2020 Zhang ..... D3/294  
2020/0304899 A1 \* 9/2020 Cramer ..... A45C 11/00

\* cited by examiner

*Primary Examiner* — Rosemary K Tarcza

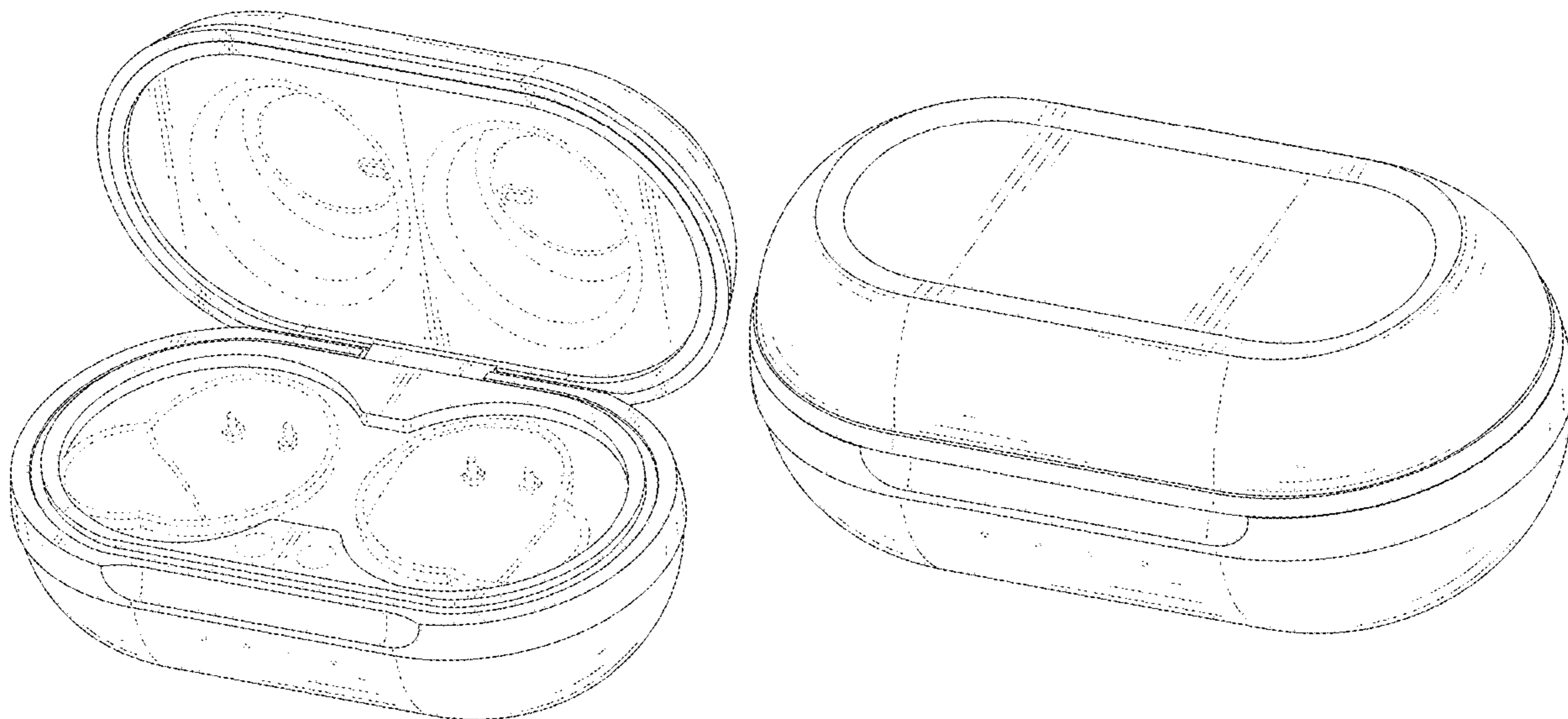
(57) **CLAIM**

The ornamental design for a charging case, as shown and described.

**DESCRIPTION**

FIG. 1 is a perspective view of a charging case showing my new design;  
FIG. 2 is another perspective view thereof;  
FIG. 3 is a front elevational view thereof;  
FIG. 4 is a rear elevational view thereof;  
FIG. 5 is a left side elevational view thereof;  
FIG. 6 is a right side elevational view thereof;  
FIG. 7 is a top plan view thereof;  
FIG. 8 is a bottom plan view thereof;  
FIG. 9 is a perspective view of the charging case where a pair of earphones are received in the charging case; and,  
FIG. 10 is a perspective view of the charging case where the charging case is in a closed state.  
The broken lines in the drawings depict portions of the charging case that form no part of the claimed design.

**1 Claim, 10 Drawing Sheets**



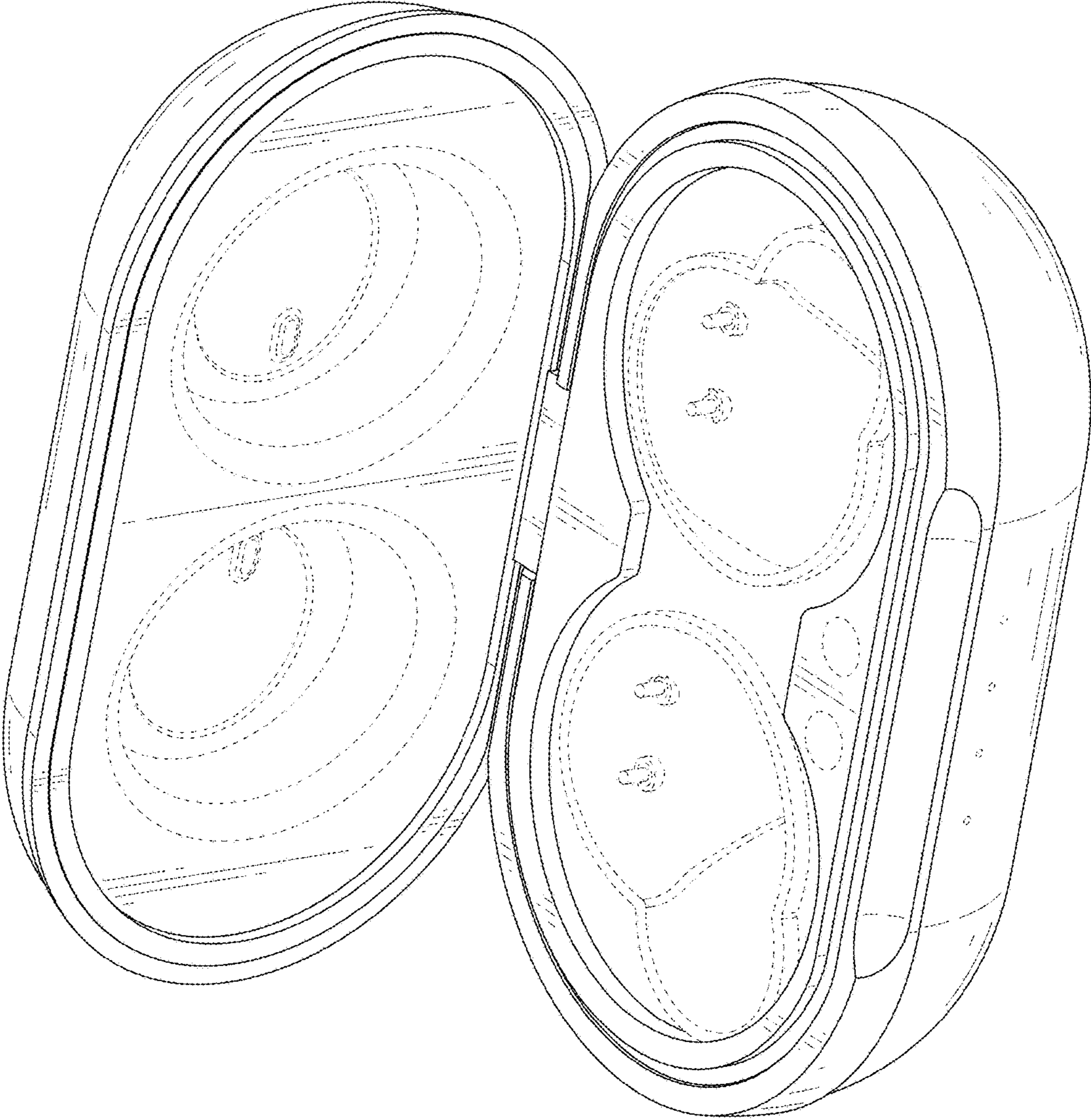


FIG. 1

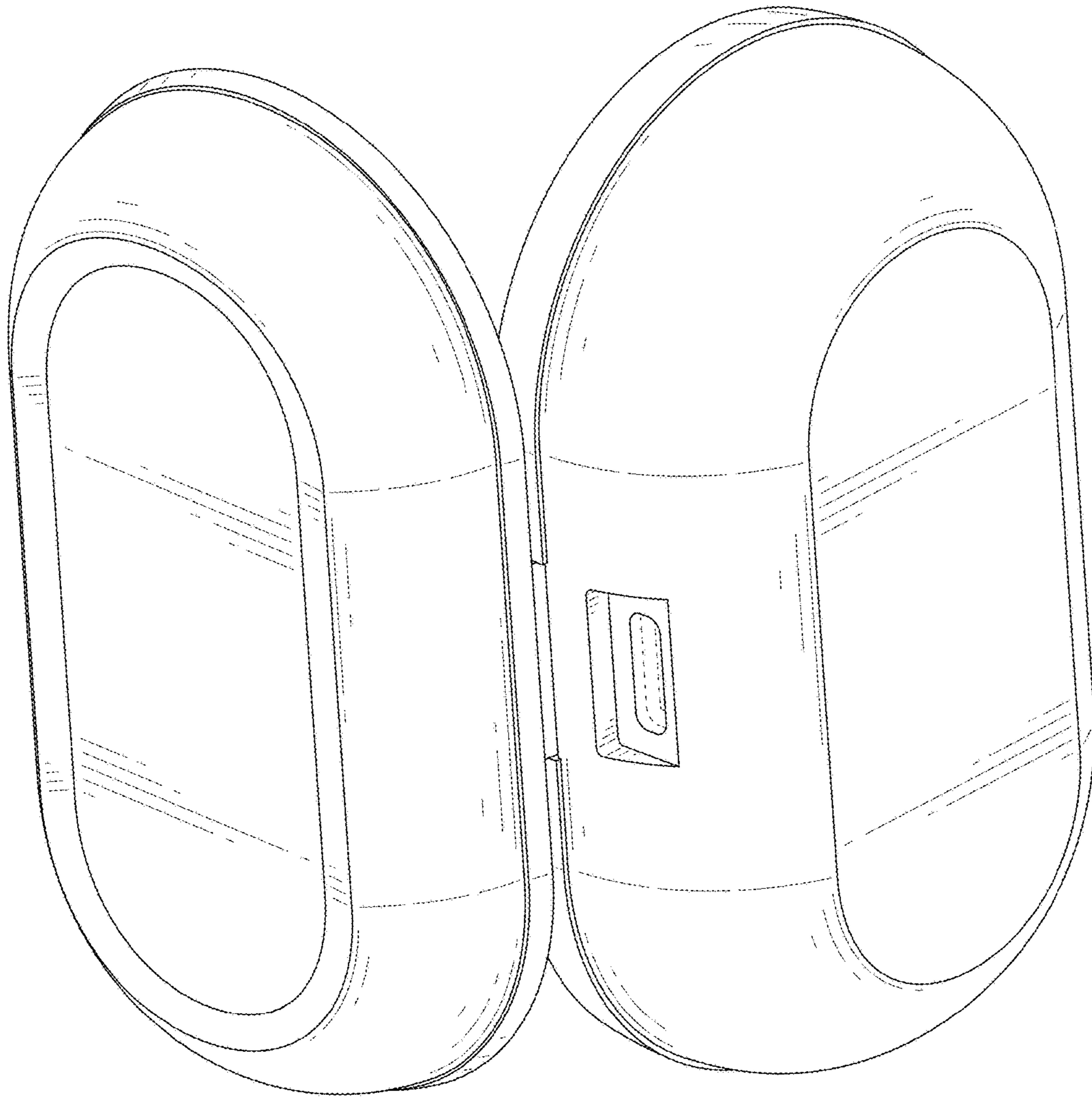


FIG. 2

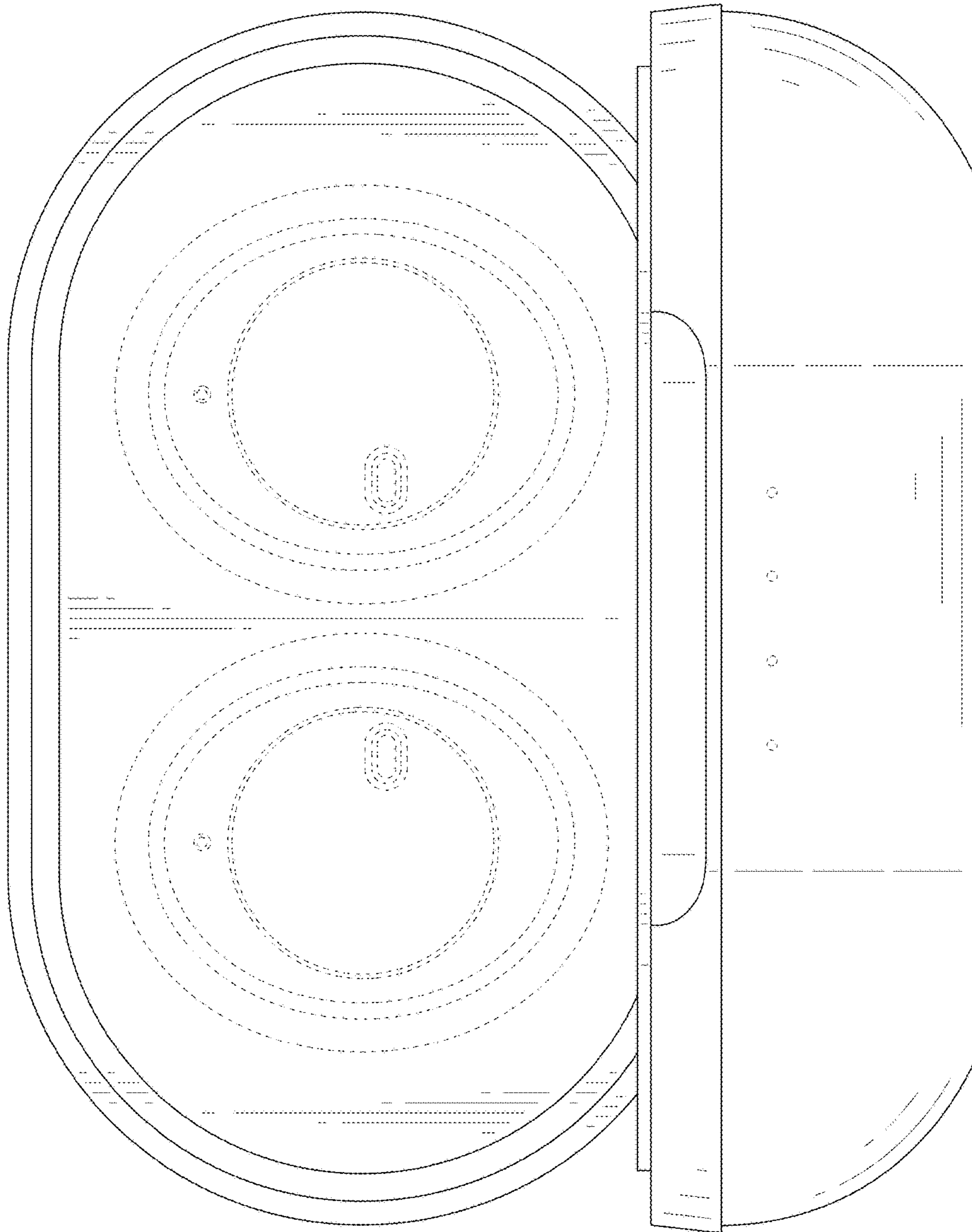


FIG. 3

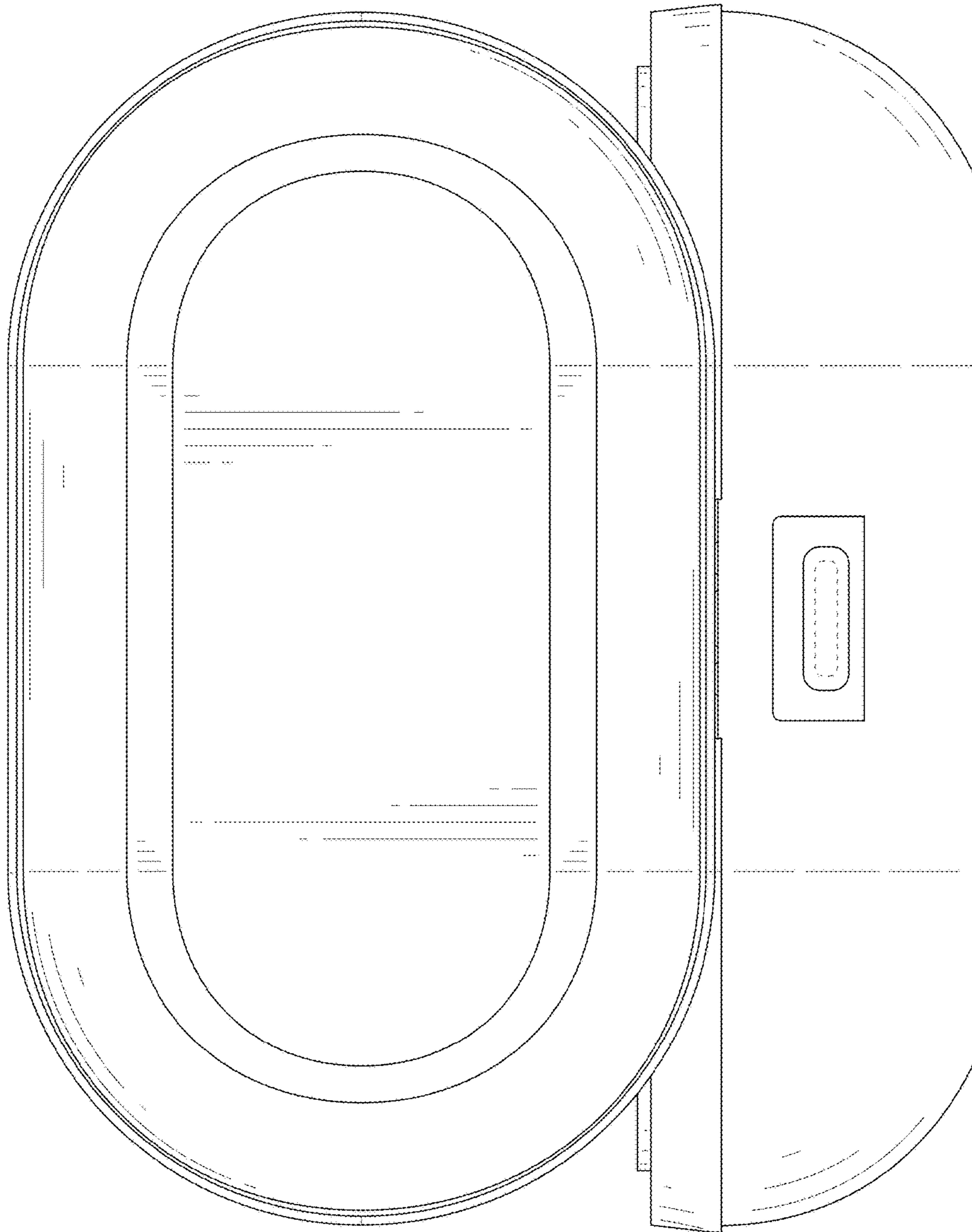


FIG. 4

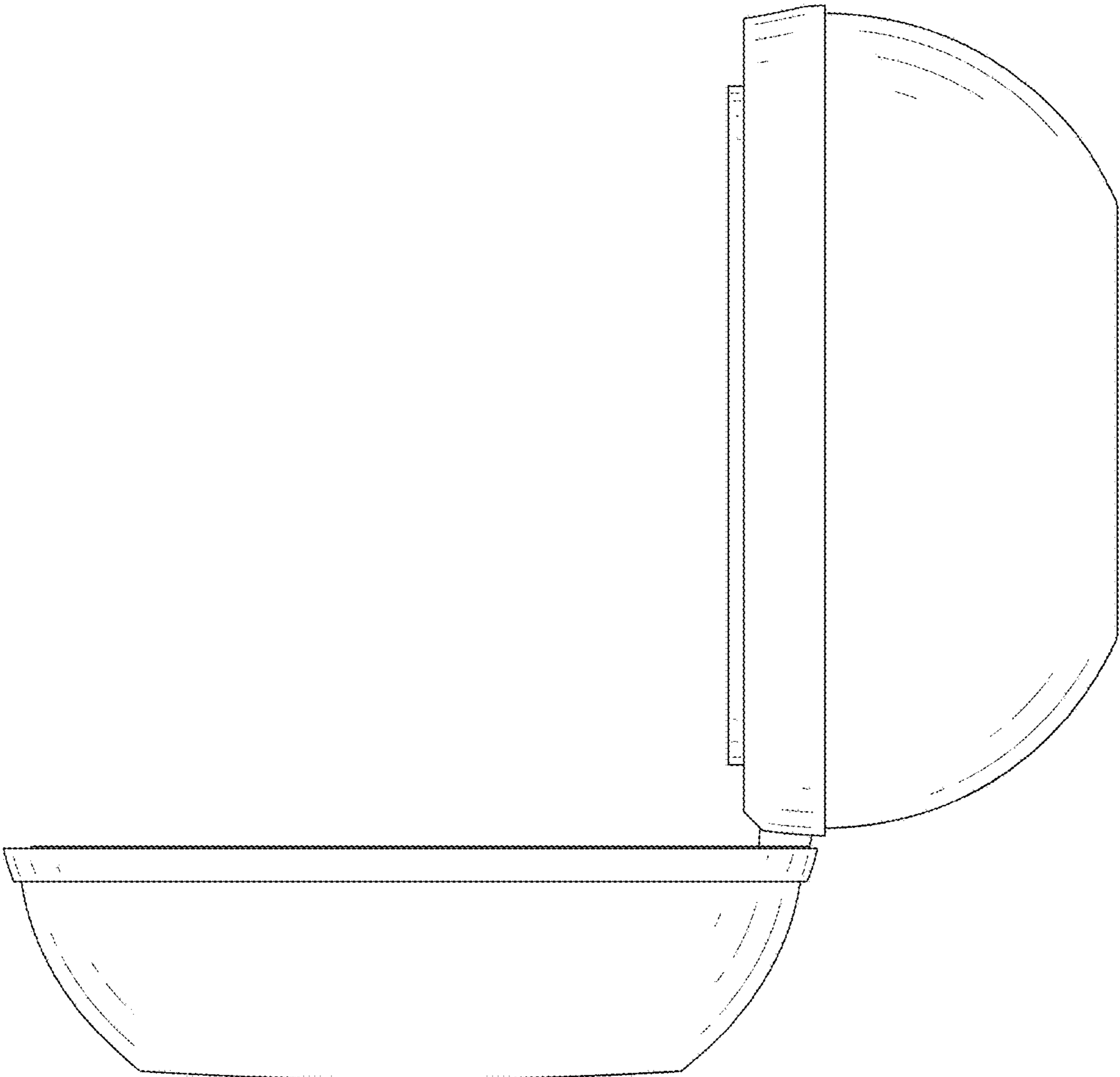


FIG. 5

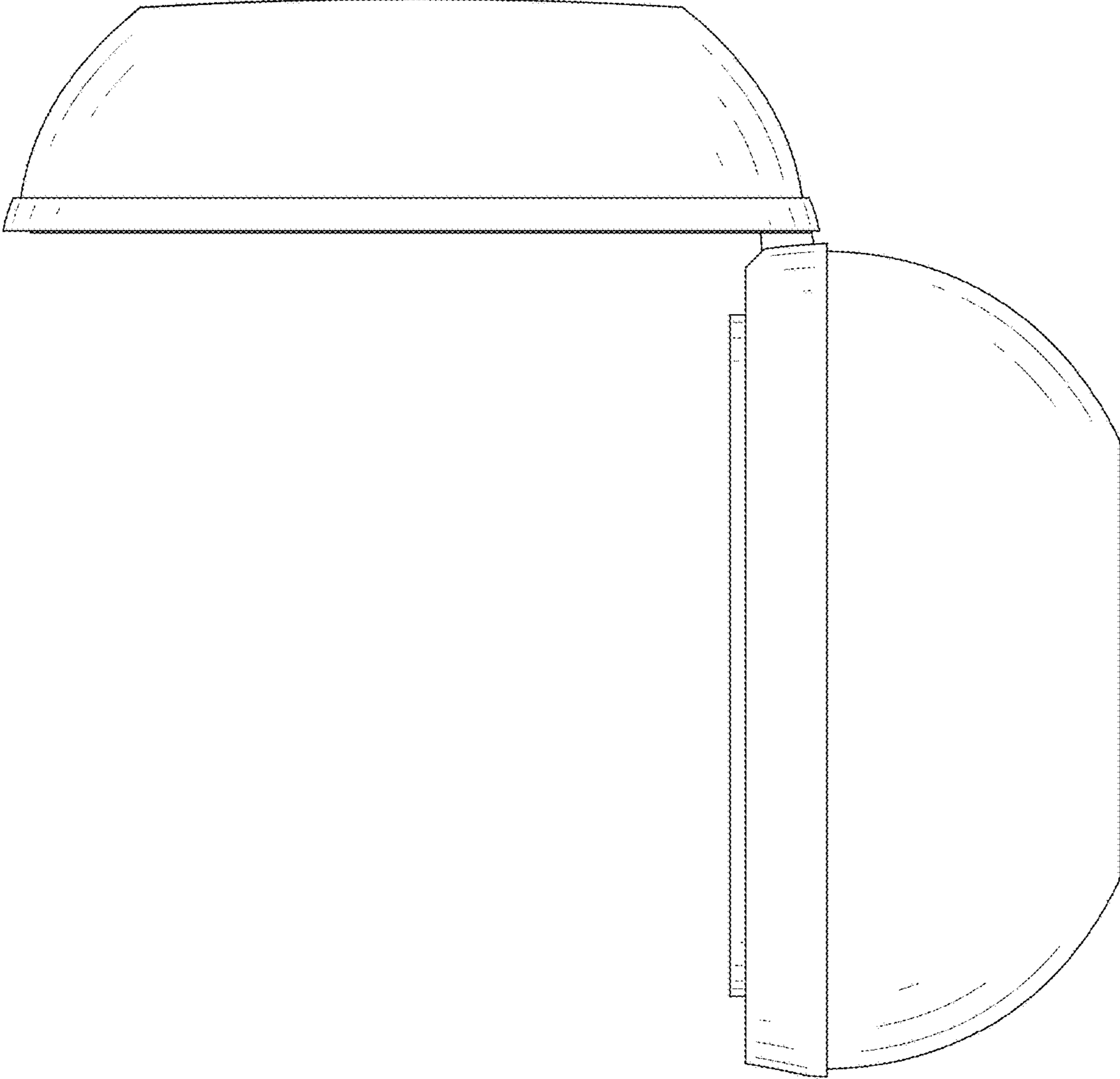


FIG. 6

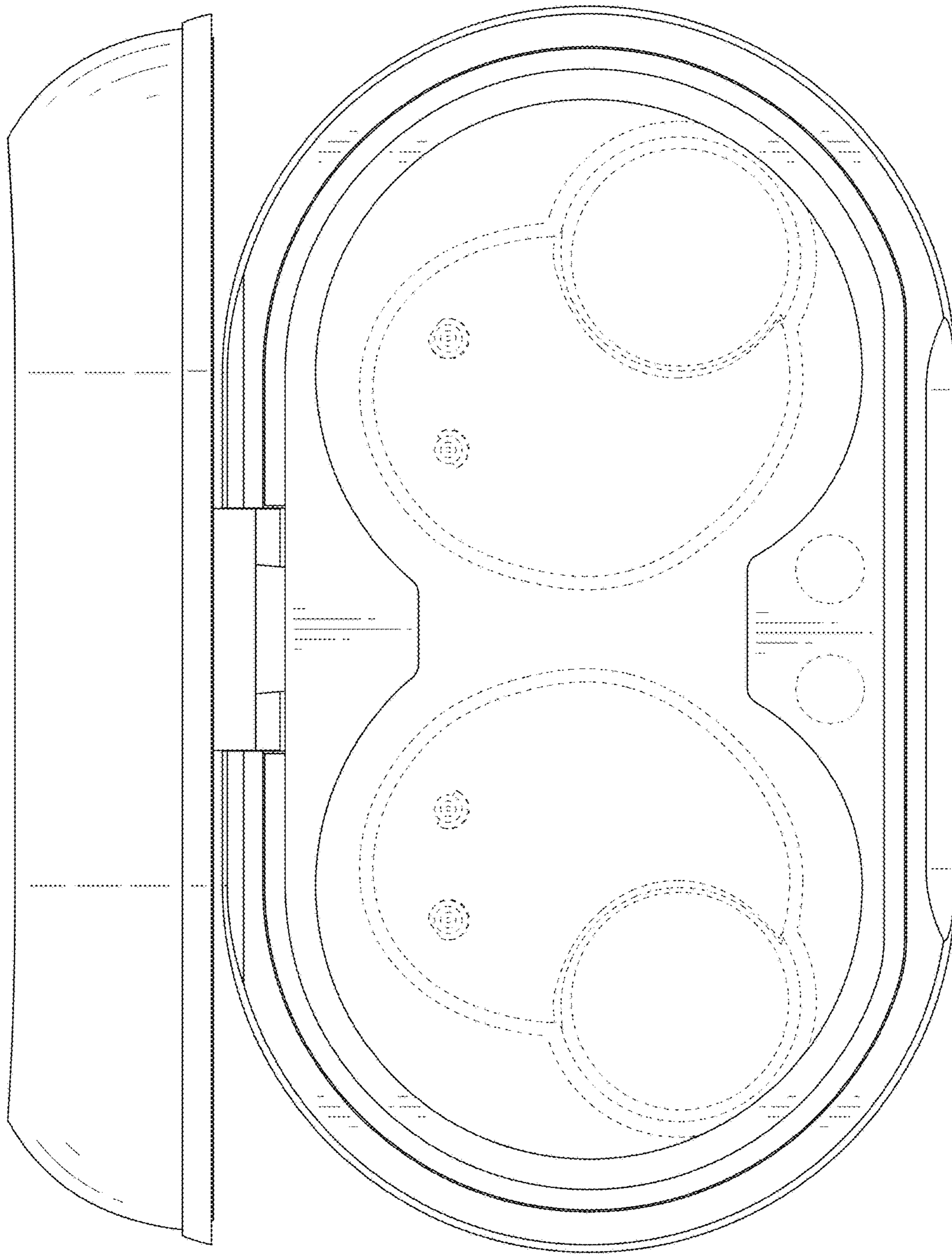


FIG. 7



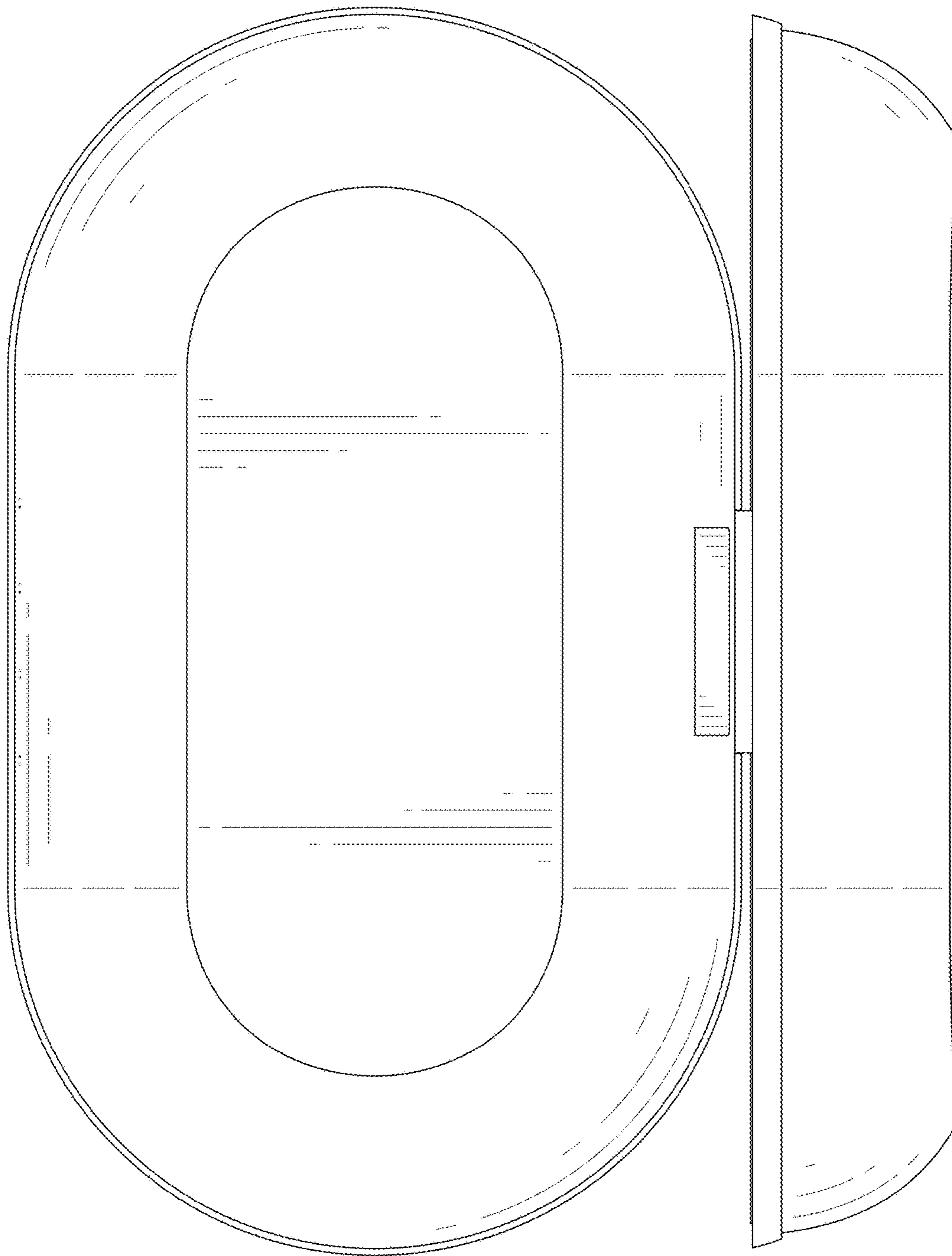


FIG. 8

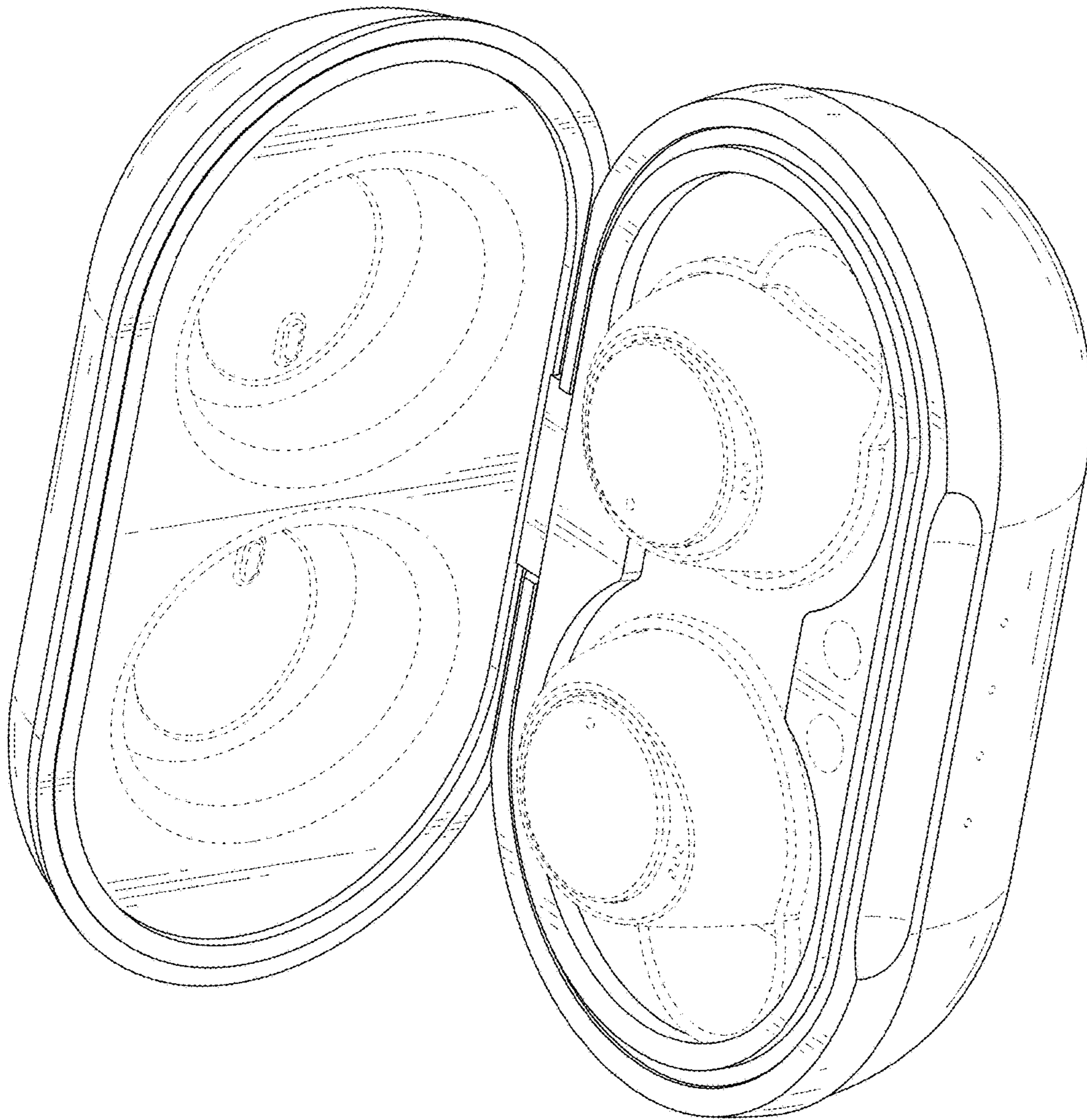


FIG. 9

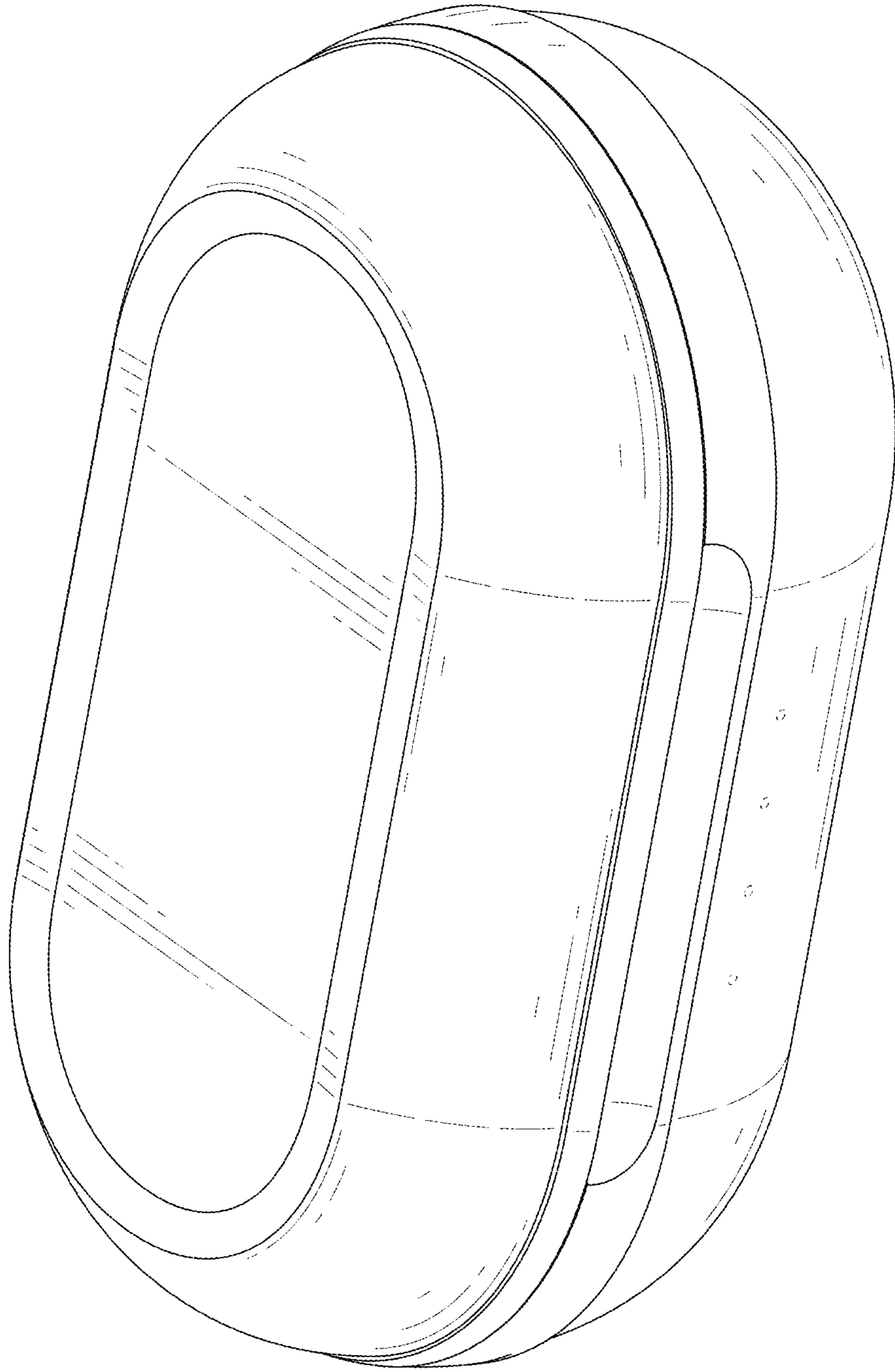


FIG. 10