



US00D908083S

(12) **United States Design Patent**  
**Kuang et al.**

(10) **Patent No.:** **US D908,083 S**

(45) **Date of Patent:** **\*\* Jan. 19, 2021**

(54) **CHARGER**

(71) Applicant: **Globe (Jiangsu) Co., Ltd.**, Jiangsu (CN)

(72) Inventors: **Jie Kuang**, Changzhou (CN); **Titi Song**, Changzhou (CN)

(73) Assignee: **Globe (Jiangsu) Co., Ltd.**, Jiangsu (CN)

(\*\*) Term: **15 Years**

(21) Appl. No.: **29/644,506**

(22) Filed: **Apr. 18, 2018**

(30) **Foreign Application Priority Data**

Oct. 24, 2017 (CN) ..... 2017 3 0509257

(51) **LOC (13) Cl.** ..... **13-02**

(52) **U.S. Cl.**  
USPC ..... **D13/107**

(58) **Field of Classification Search**

USPC ..... D13/107–110, 118–119, 184; D14/251, D14/253, 432, 434

CPC ..... Y02E 60/12; Y02T 90/14; Y02T 90/122; Y02T 90/128; Y02T 90/163; H02J 7/025; H02J 7/0042; H02J 7/0044; H02J 7/0045; H02J 7/0013; H02J 7/0003; H01F 38/14; H01R 13/6675; H01M 2/1022; H01M 2/1055; H01M 10/44; H01M 10/46; H01M 10/425; B60L 11/182

See application file for complete search history.

(56) **References Cited**

**U.S. PATENT DOCUMENTS**

D350,528 S \* 9/1994 Bent ..... D13/108  
D396,447 S \* 7/1998 Lloyd ..... D13/107

D409,976 S \* 5/1999 Buck ..... D13/107  
D414,742 S \* 10/1999 Chang ..... D13/107  
D427,145 S \* 6/2000 Singh ..... D13/107  
D441,713 S \* 5/2001 Gartrell ..... D13/108  
D489,323 S \* 5/2004 Yoshida ..... D13/108  
D509,790 S \* 9/2005 Sakai ..... D13/108  
D510,066 S \* 9/2005 Hickey ..... D13/108  
D632,644 S \* 2/2011 Yokozeki .....  
D633,037 S \* 2/2011 Tschopp ..... D13/107  
D702,181 S \* 4/2014 Maki .....  
D849,682 S \* 5/2019 Dou ..... D13/108  
D867,987 S \* 11/2019 Mi ..... D13/108  
D872,686 S \* 1/2020 E ..... D13/103

\* cited by examiner

*Primary Examiner* — Nathaniel D. Buckner

(74) *Attorney, Agent, or Firm* — Rooney IP, LLC

(57) **CLAIM**

The ornamental design for a charger, therefor as shown and described.

**DESCRIPTION**

FIG. 1 is front isometric view of a charger according to the present invention.

FIG. 2 is a rear isometric view thereof.

FIG. 3 is a front view thereof.

FIG. 4 is a right side view thereof.

FIG. 5 is a rear view thereof.

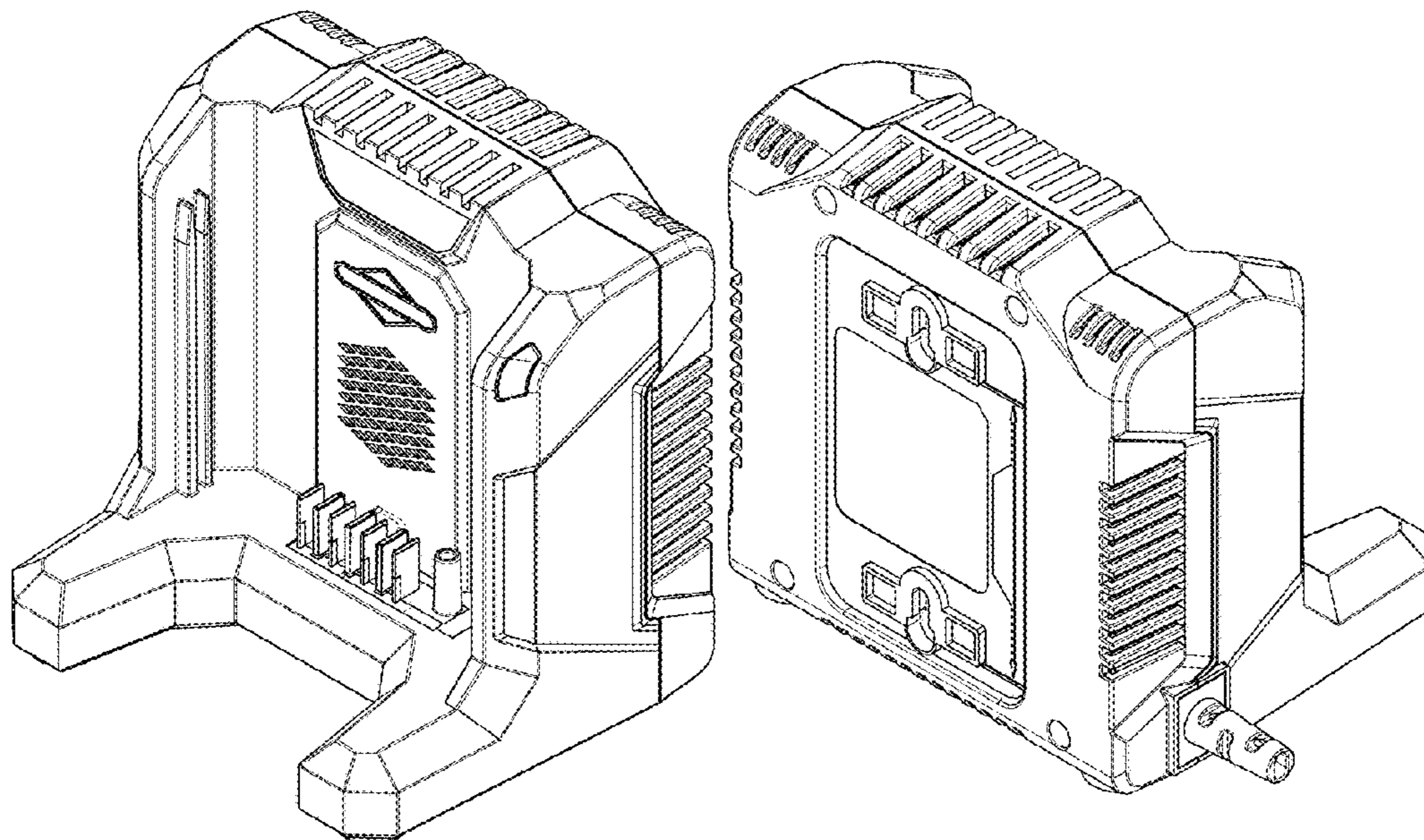
FIG. 6 is a left side view thereof.

FIG. 7 is a top view thereof; and,

FIG. 8 is a bottom view thereof.

The broken lines in the figures depict portions of the charger which form no part of the claimed design.

**1 Claim, 8 Drawing Sheets**



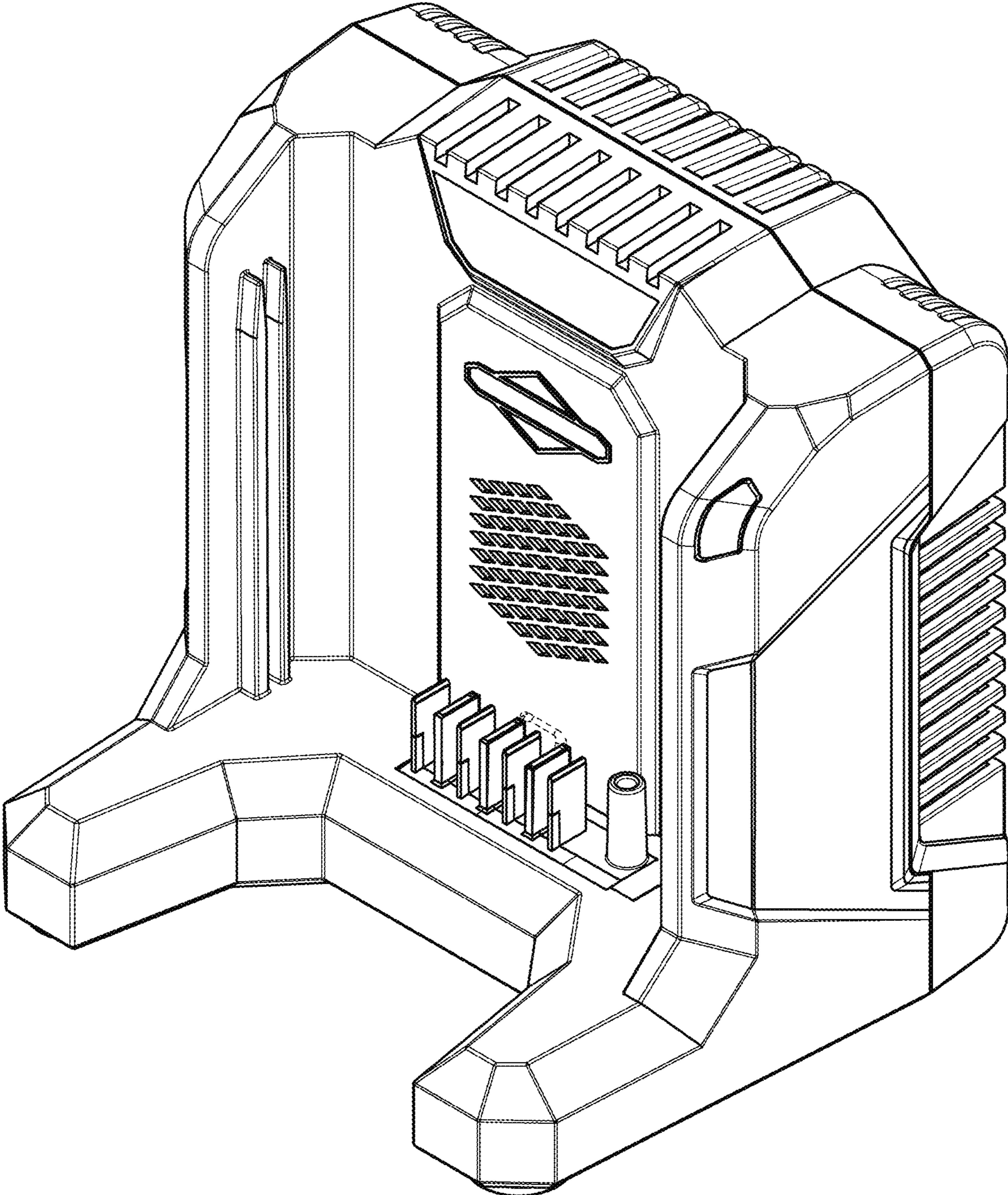


FIG. 1

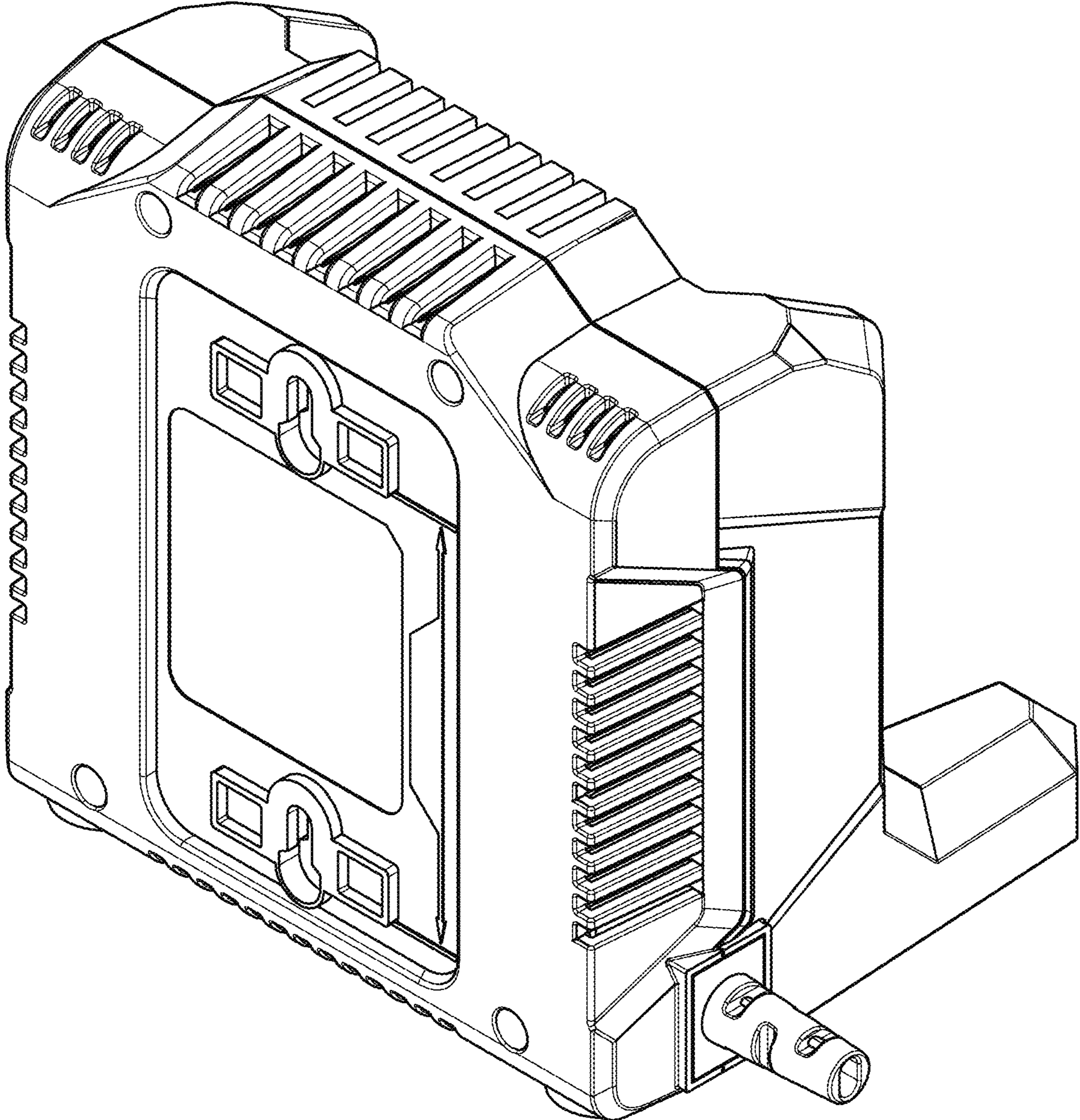


FIG. 2

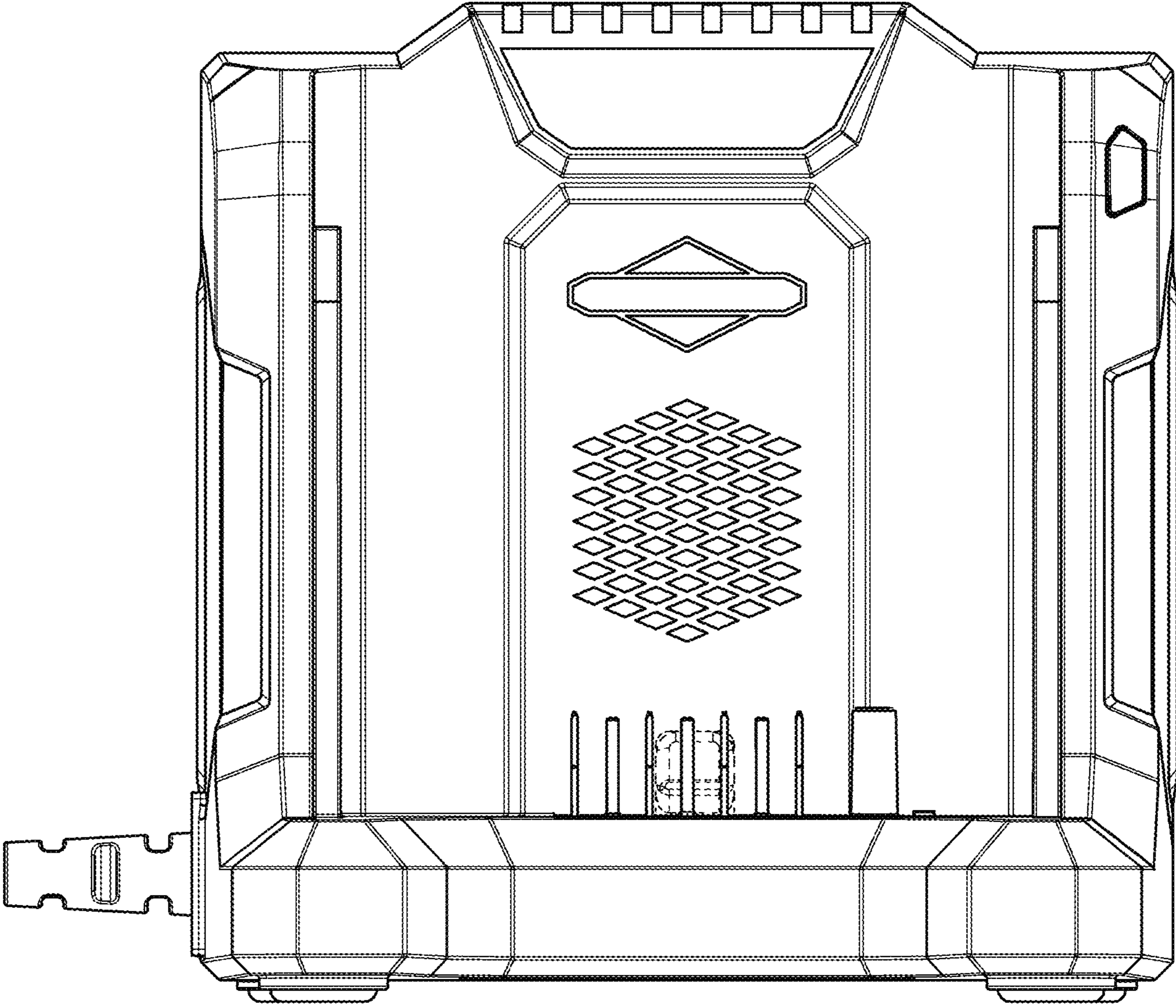


FIG. 3

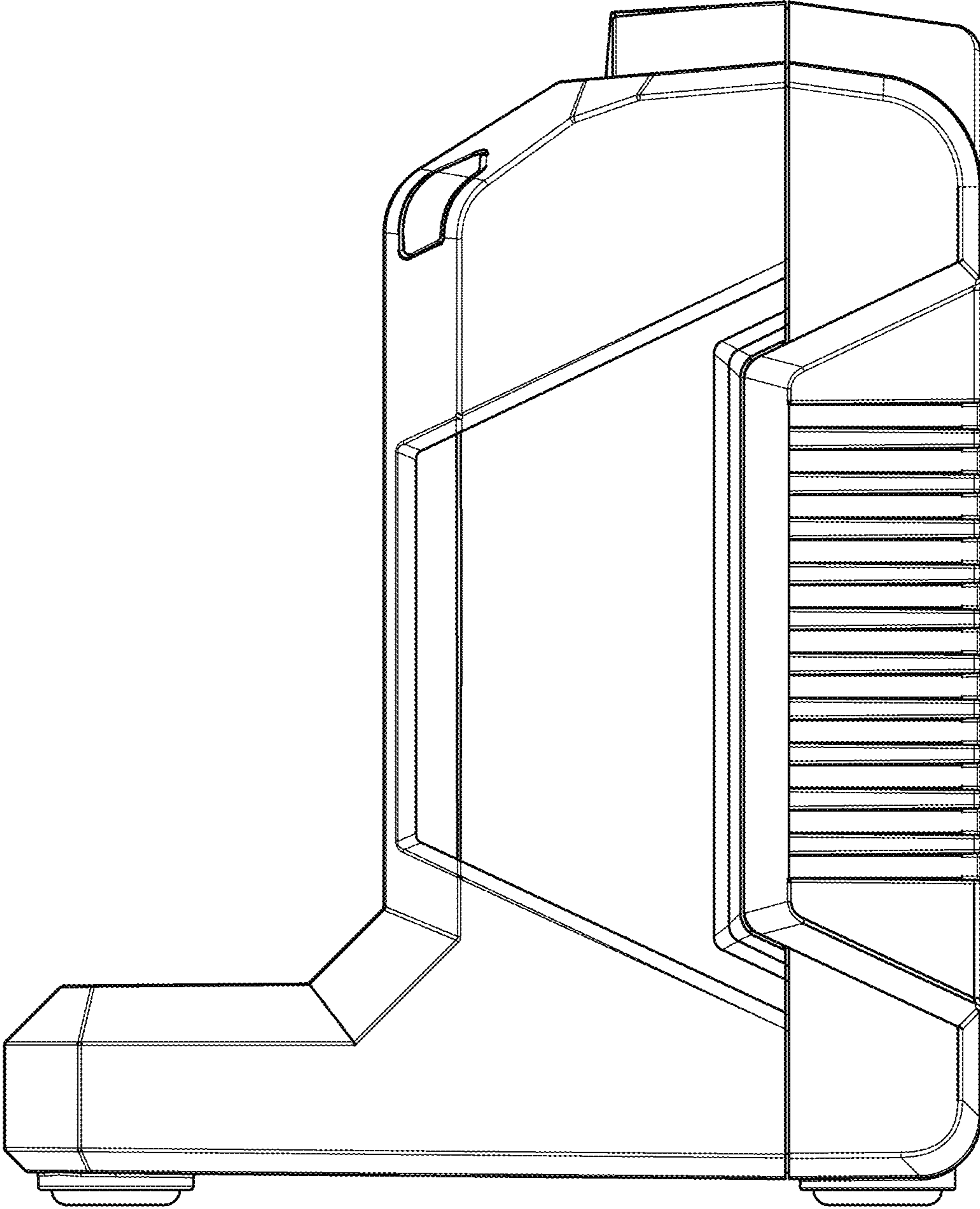


FIG. 4

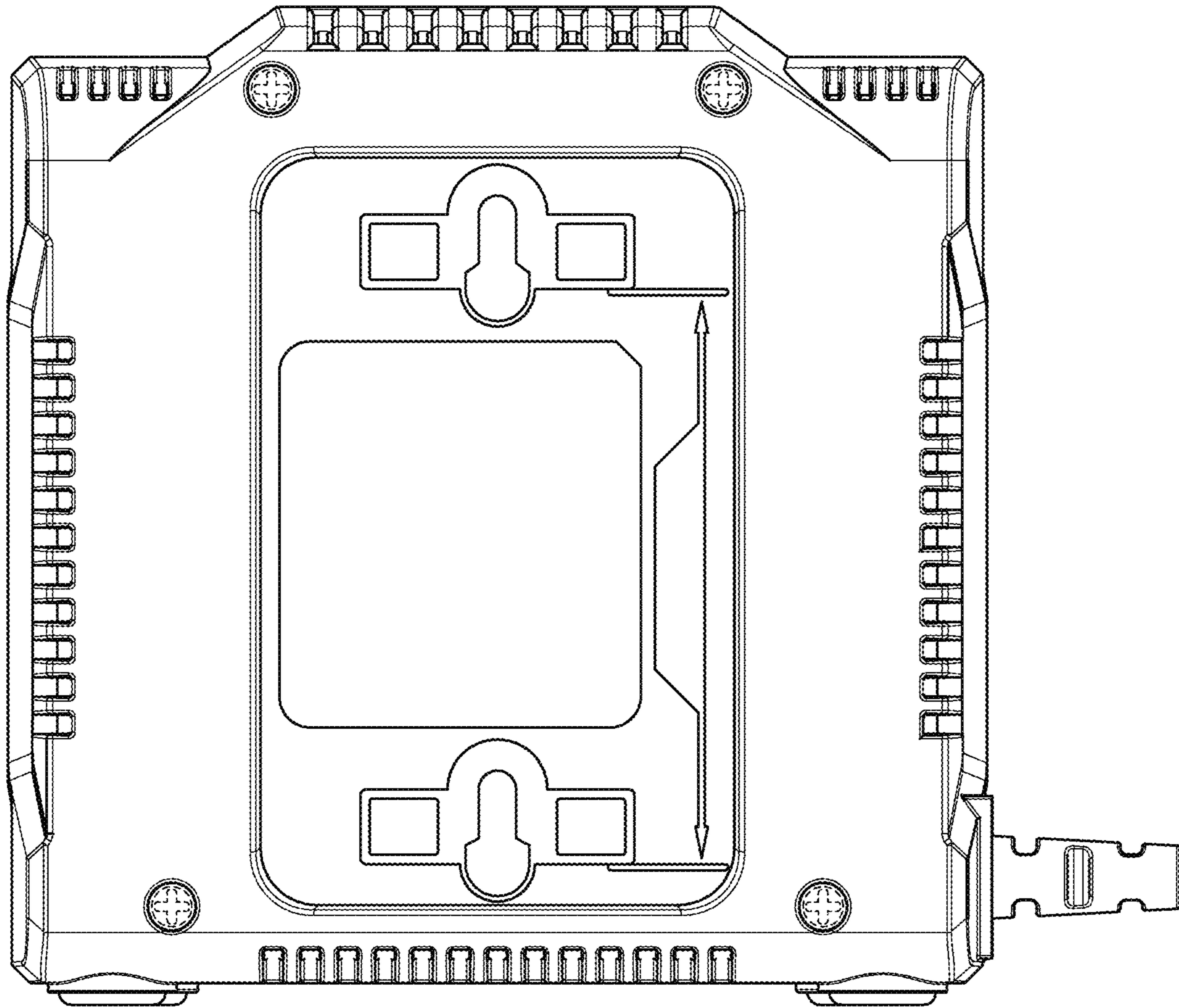


FIG. 5

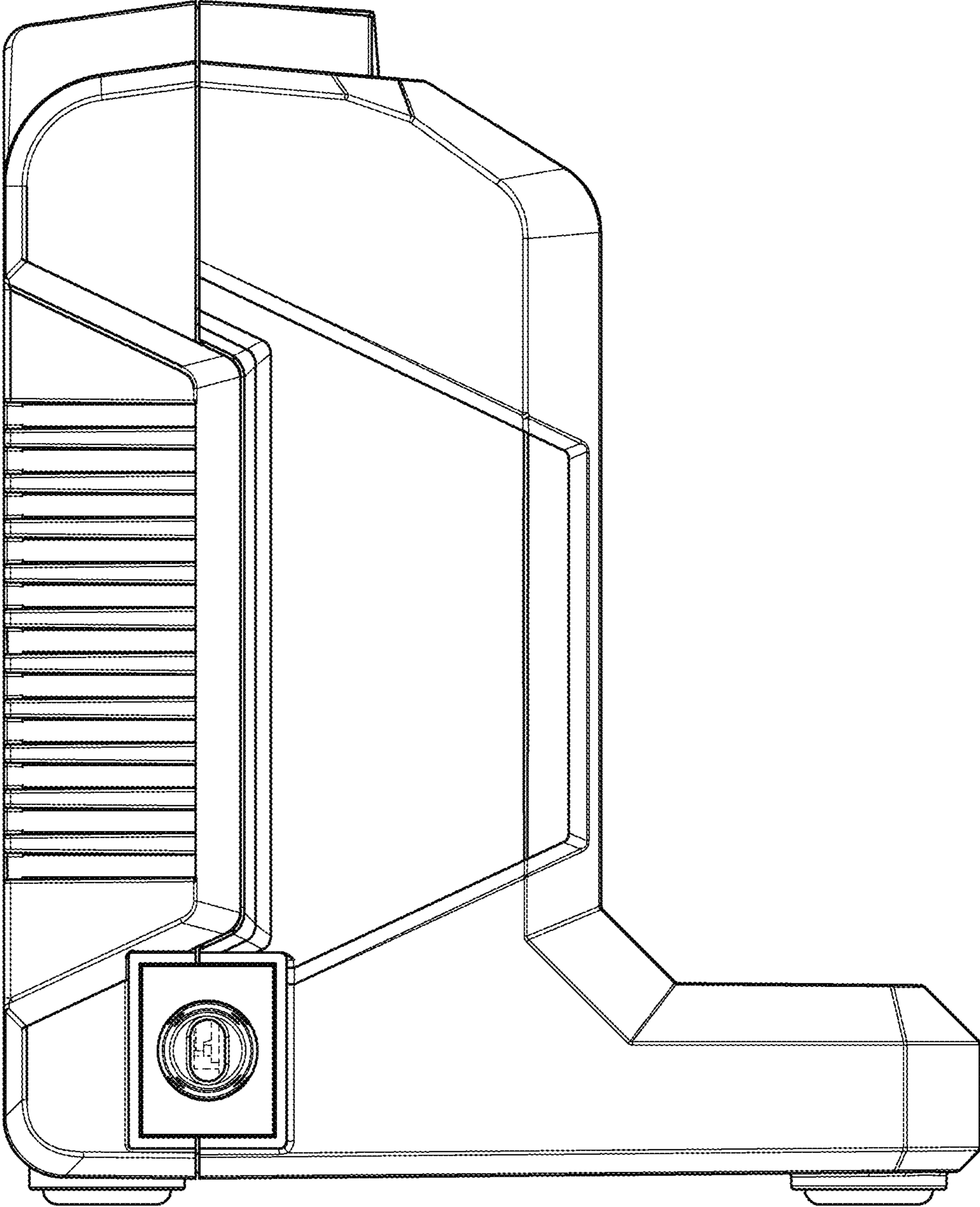


FIG. 6

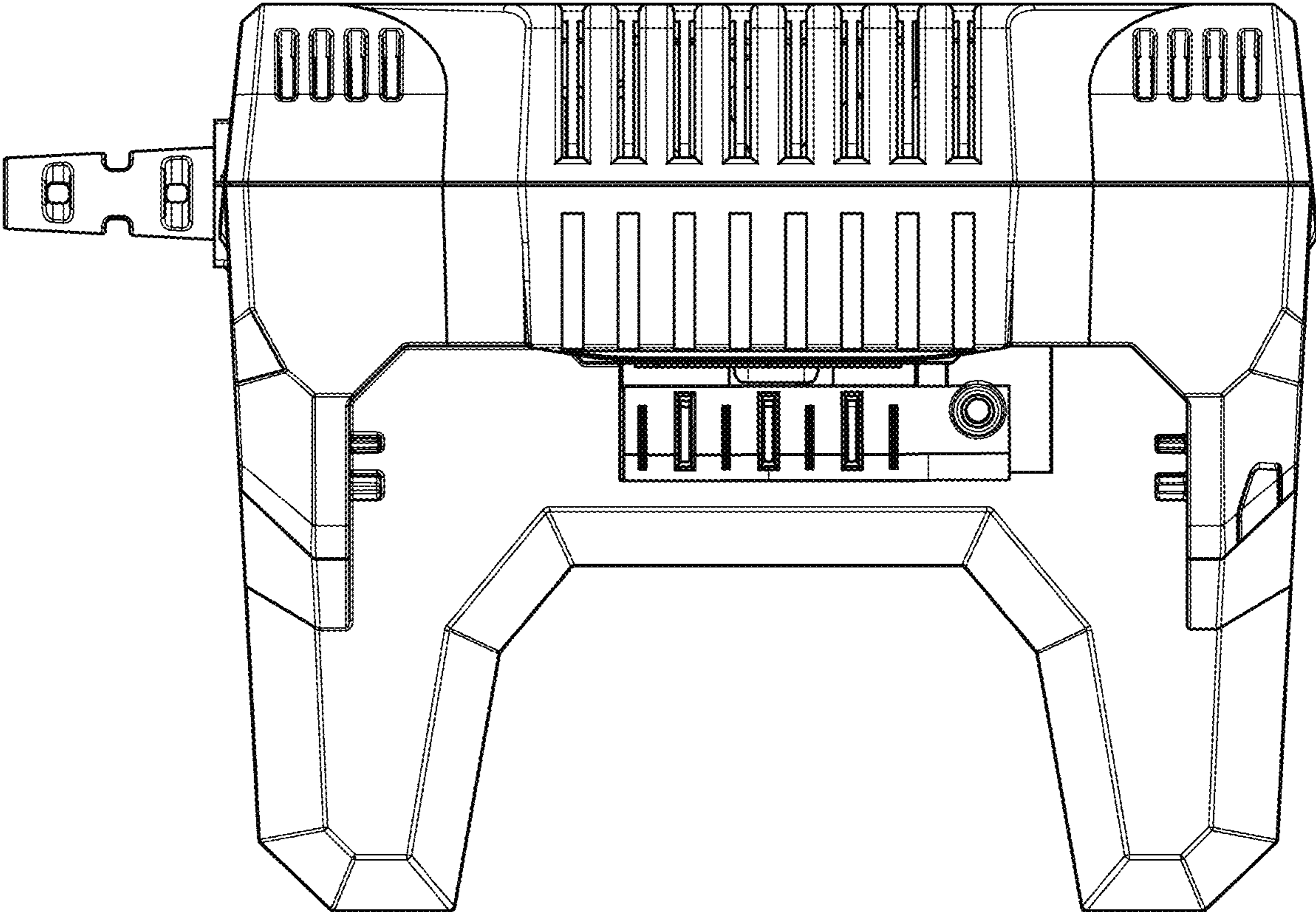


FIG. 7



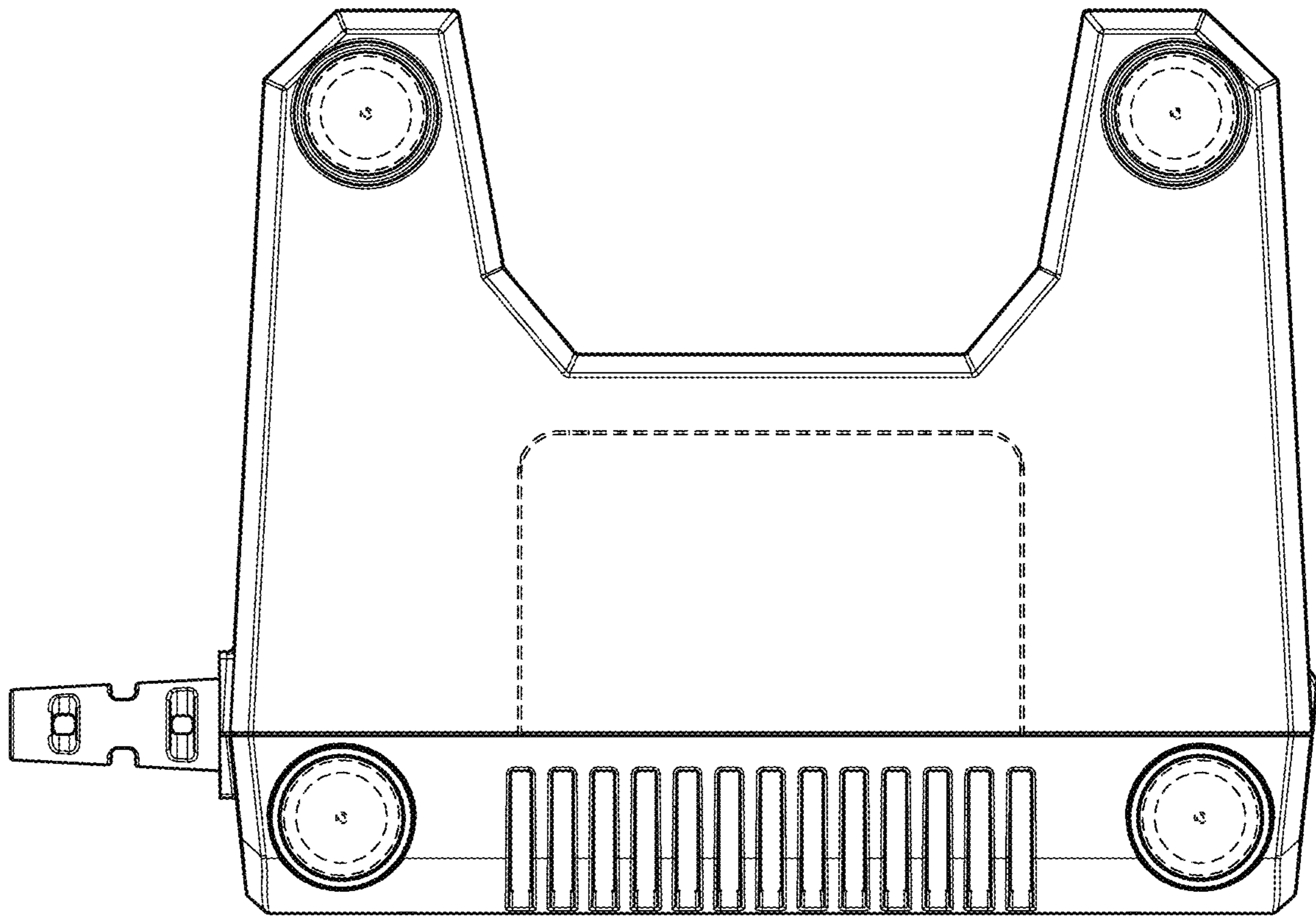


FIG. 8