



US00D908081S

(12) **United States Design Patent**
Huang

(10) **Patent No.:** **US D908,081 S**

(45) **Date of Patent:** **** Jan. 19, 2021**

(54) **SOLAR RECHARGEABLE BATTERY**

(71) Applicant: **Maojun Huang**, Longchuan (CN)

(72) Inventor: **Maojun Huang**, Longchuan (CN)

(**) Term: **15 Years**

(21) Appl. No.: **29/713,972**

(22) Filed: **Nov. 20, 2019**

(51) **LOC (13) Cl.** **13-02**

(52) **U.S. Cl.**
USPC **D13/102**

(58) **Field of Classification Search**

USPC D13/102, 103, 107, 108, 110, 184, 199,
D13/101; 126/569, 624, 704, 710, 711;
136/243-265; 320/101, 116, 120
CPC H01L 31/00; H01L 31/042; H01L 31/045;
H01L 31/048; H01L 31/052; H01L
31/0475; H01L 31/0485; H01M 10/052;
H01M 10/465; H02S 30/10; H02S 30/20;
Y02E 10/42; Y02E 10/50; Y02E 10/52;
Y10S 136/291; Y10S 136/293; H02J
7/008; H02J 7/355

See application file for complete search history.

(56) **References Cited**

U.S. PATENT DOCUMENTS

5,522,943 A * 6/1996 Spencer H01L 31/042
136/245
D422,964 S * 4/2000 Lam D13/107
6,650,085 B2 * 11/2003 Lau H02S 10/40
320/101
D490,051 S * 5/2004 Kikumoto D13/102

D516,501 S * 3/2006 Ware, Jr. D13/102
D517,006 S * 3/2006 Bessmertny D13/102
D639,730 S * 6/2011 Kawase
D655,240 S * 3/2012 Hsu D13/102
D681,548 S * 5/2013 Zhang D13/102
D687,766 S * 8/2013 Hsu D13/102
D712,823 S * 9/2014 Lin D13/102
D782,977 S * 4/2017 Zhang D13/108

* cited by examiner

Primary Examiner — Derrick E Holland

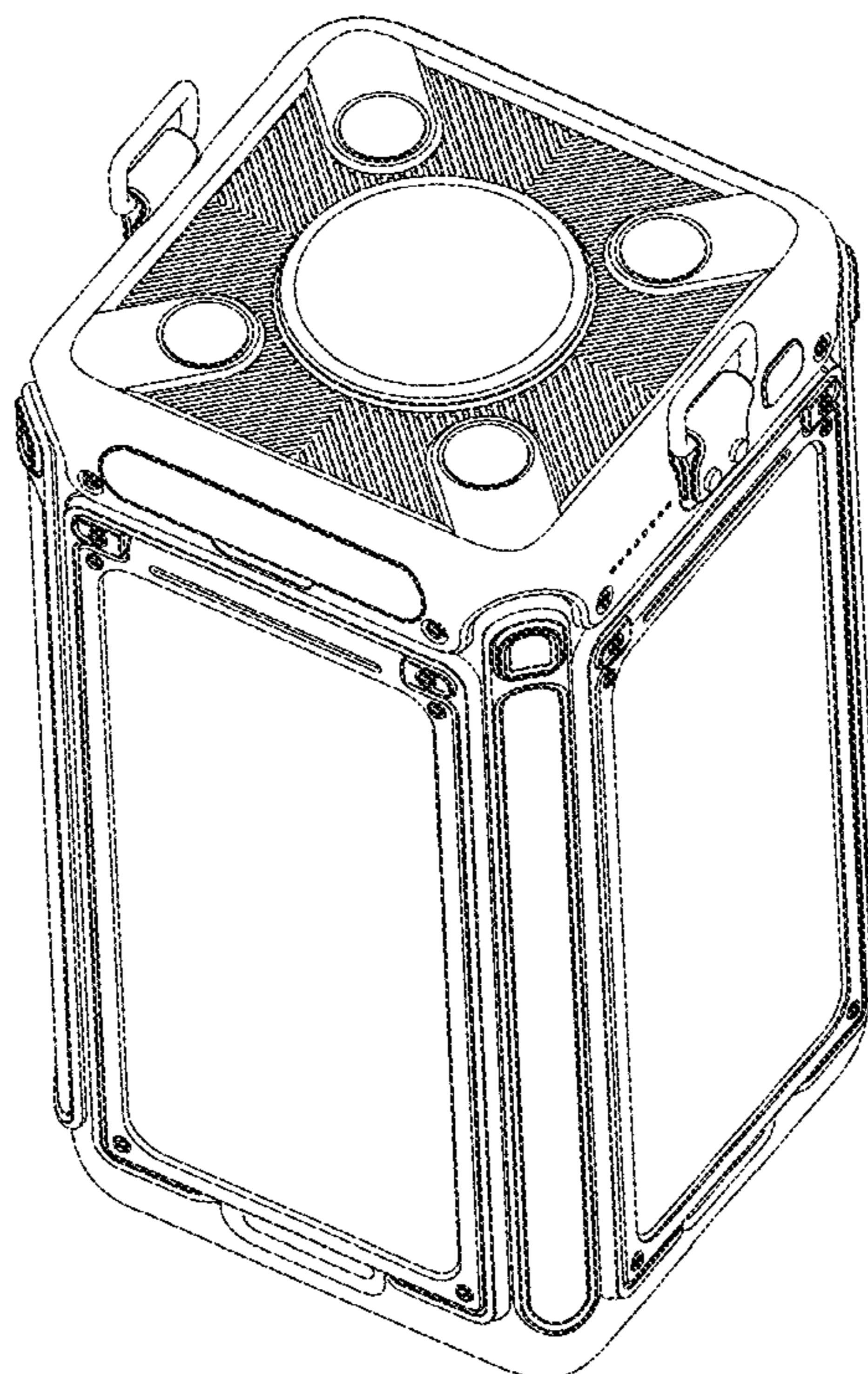
(57) **CLAIM**

The ornamental design for a solar rechargeable battery, as shown and described.

DESCRIPTION

FIG. 1 is a perspective view of a solar rechargeable battery showing my new design;
FIG. 2 is another perspective view thereof (solar panels in extended-outward position);
FIG. 3 is a front view thereof;
FIG. 4 is a back view thereof;
FIG. 5 is a left side view thereof;
FIG. 6 is a right side view thereof;
FIG. 7 is a top plan view thereof; and,
FIG. 8 is a bottom plan view thereof.
The broken lines in the figures illustrate portions of the solar rechargeable battery that form no part of the claimed design. The unshaded surfaces encompassed in broken lines form no part of the claimed design.

1 Claim, 8 Drawing Sheets



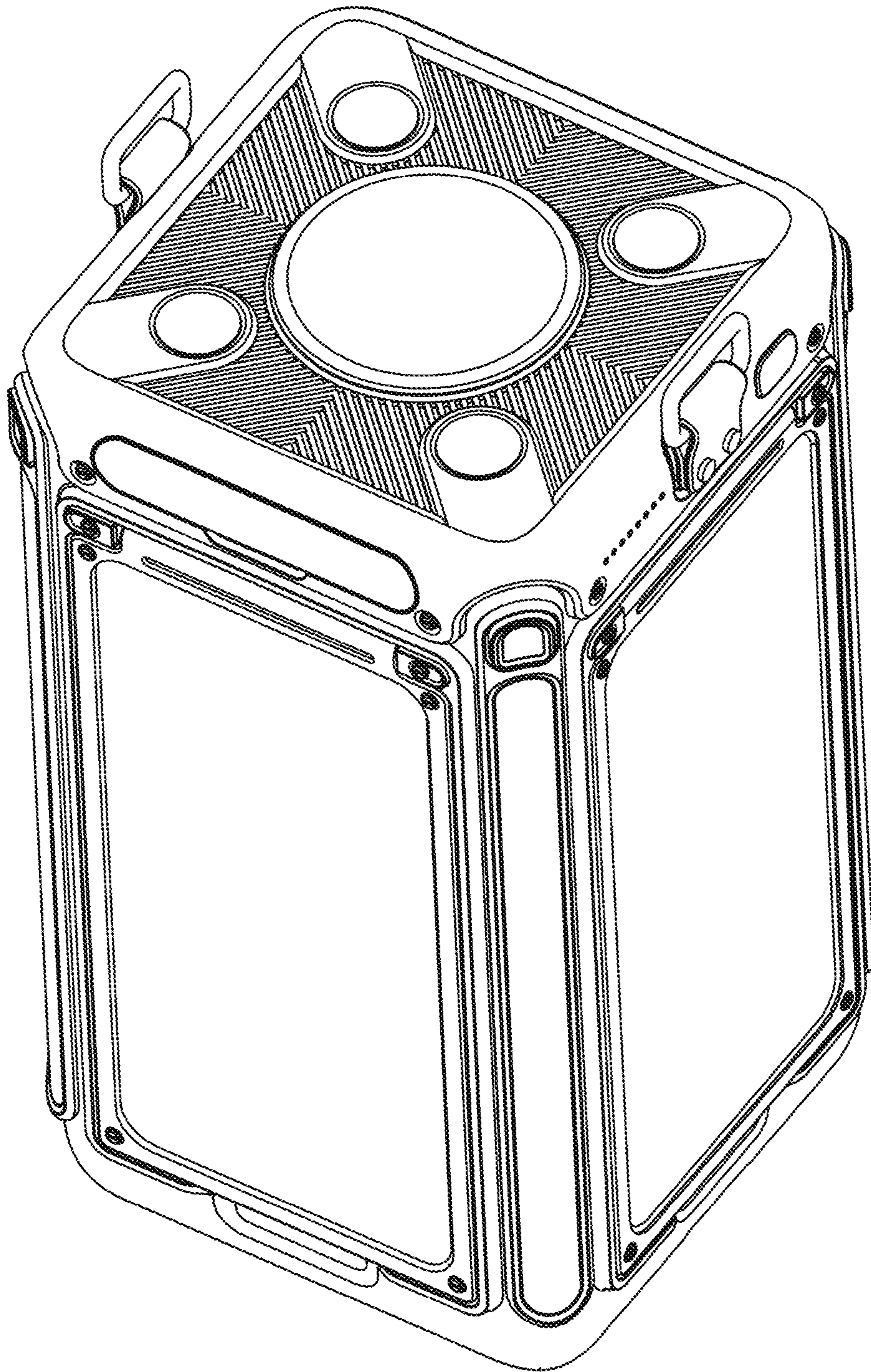


FIG 1

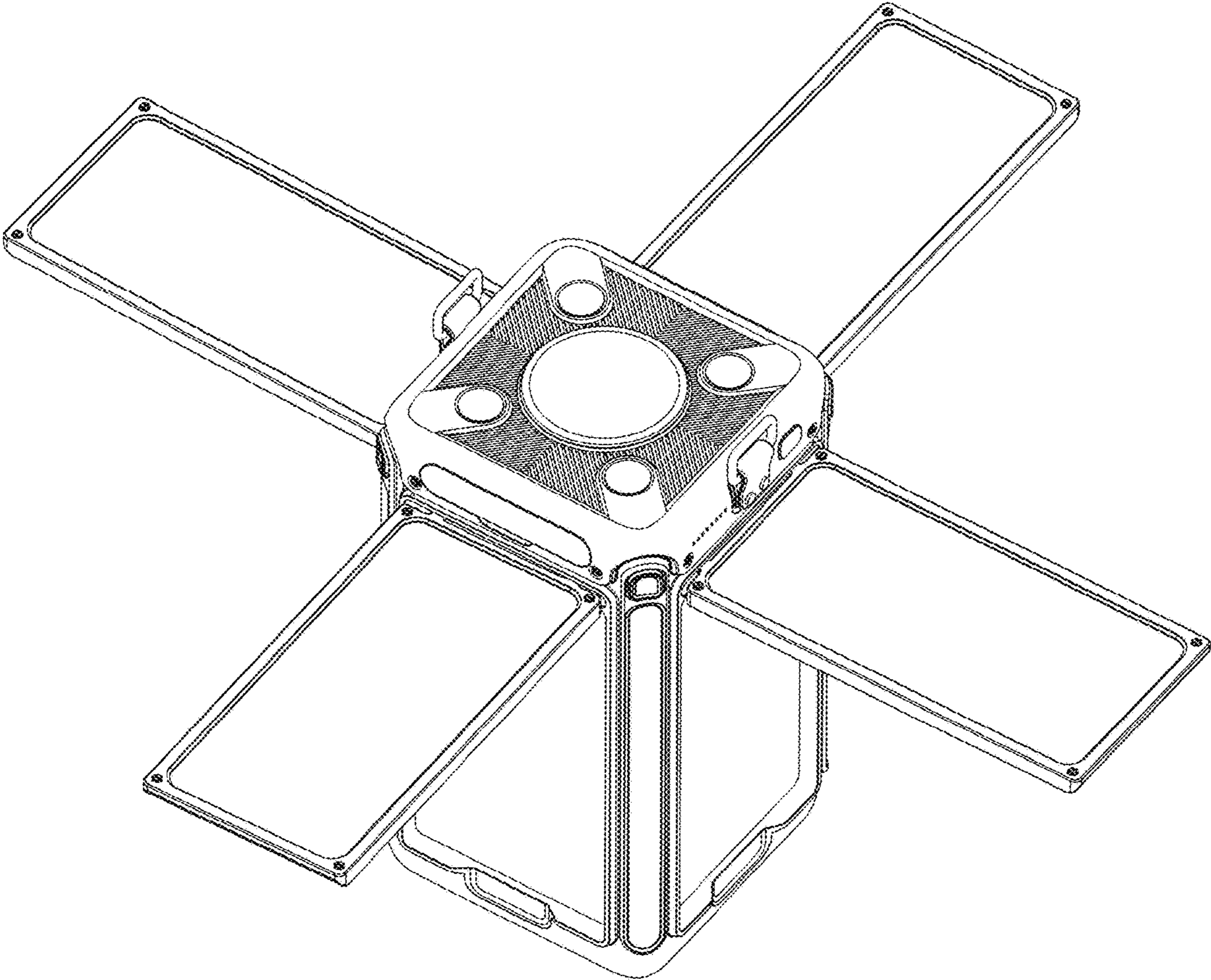


FIG 2

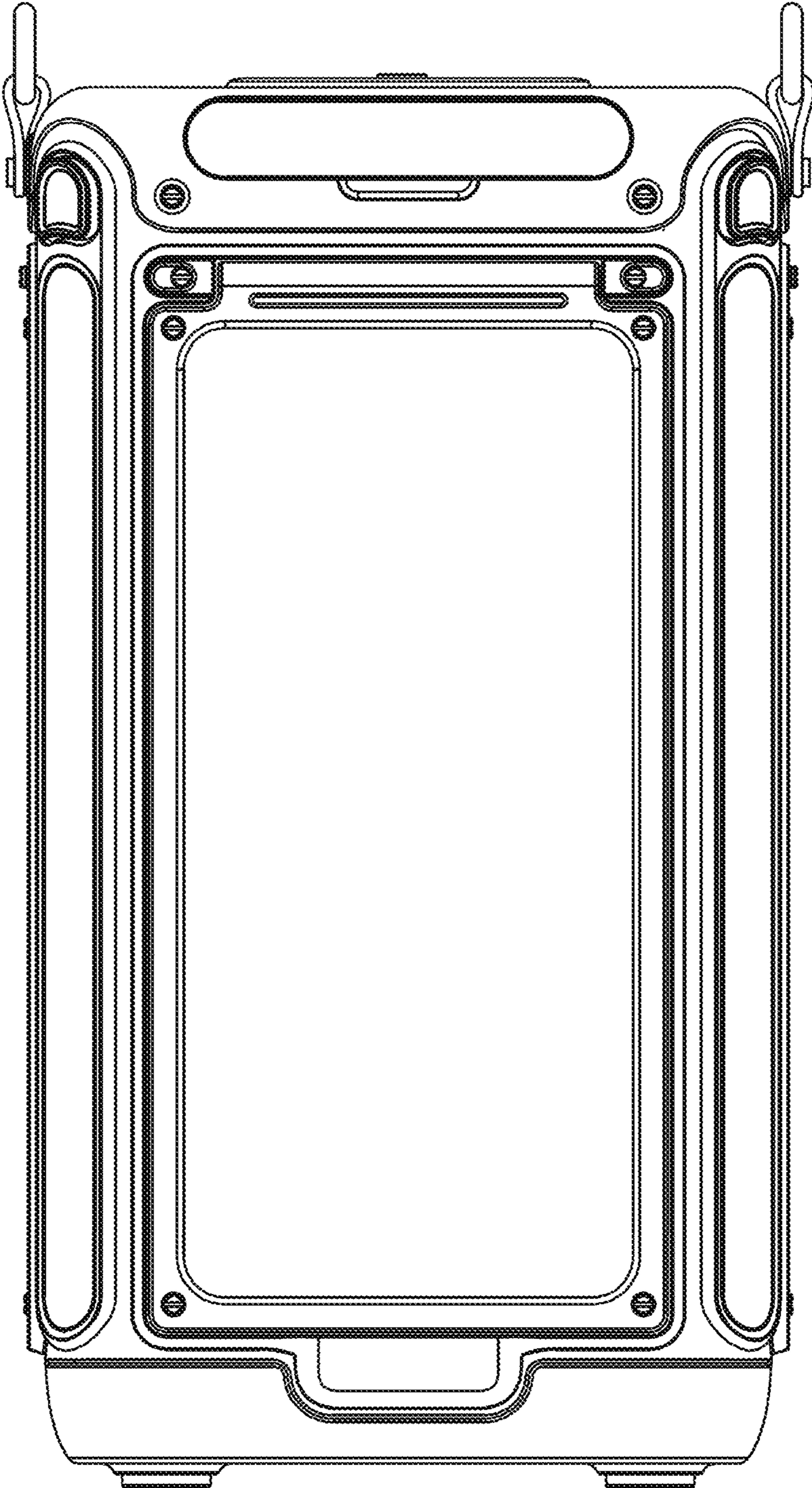


FIG 3

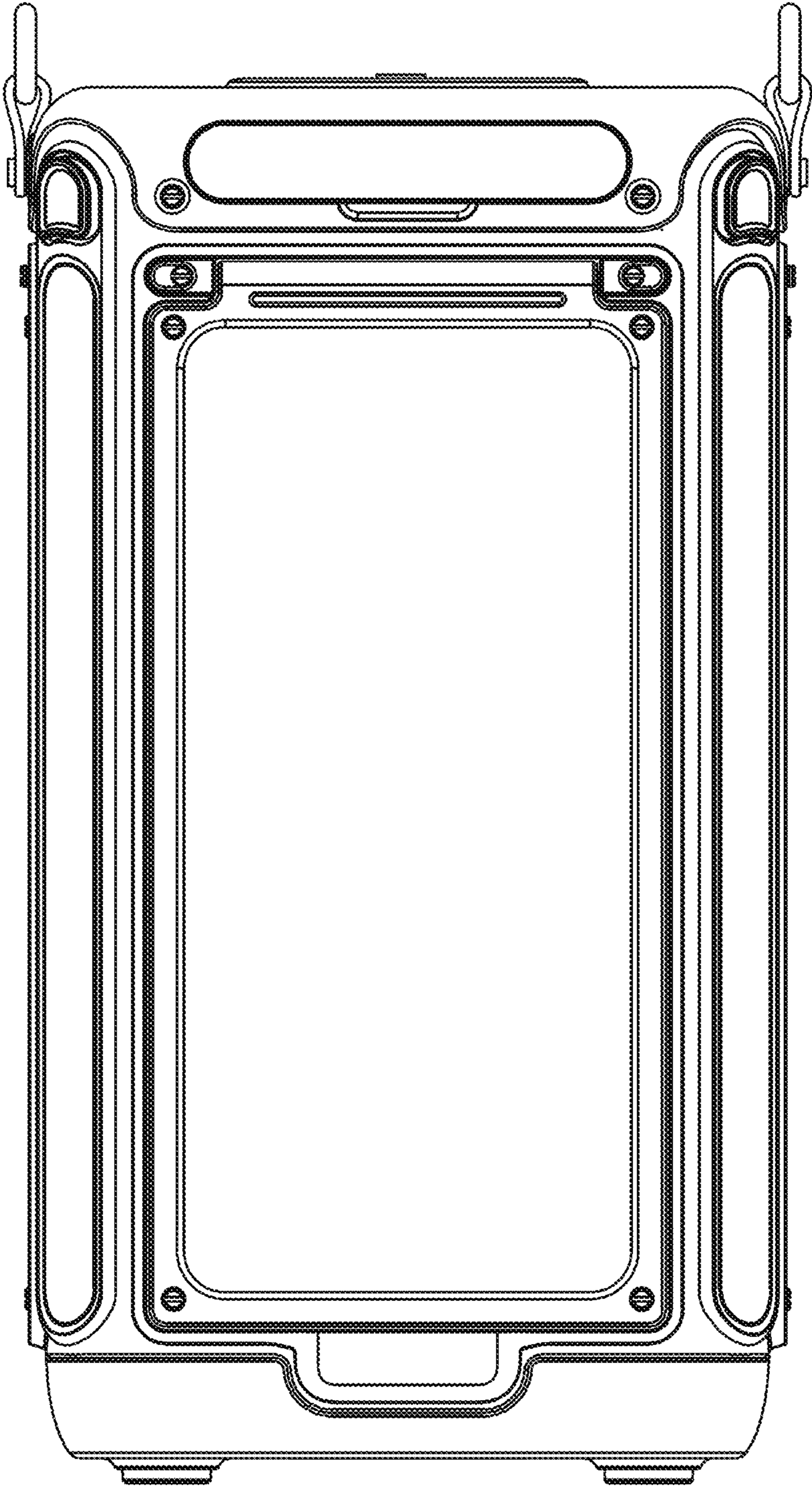


FIG 4

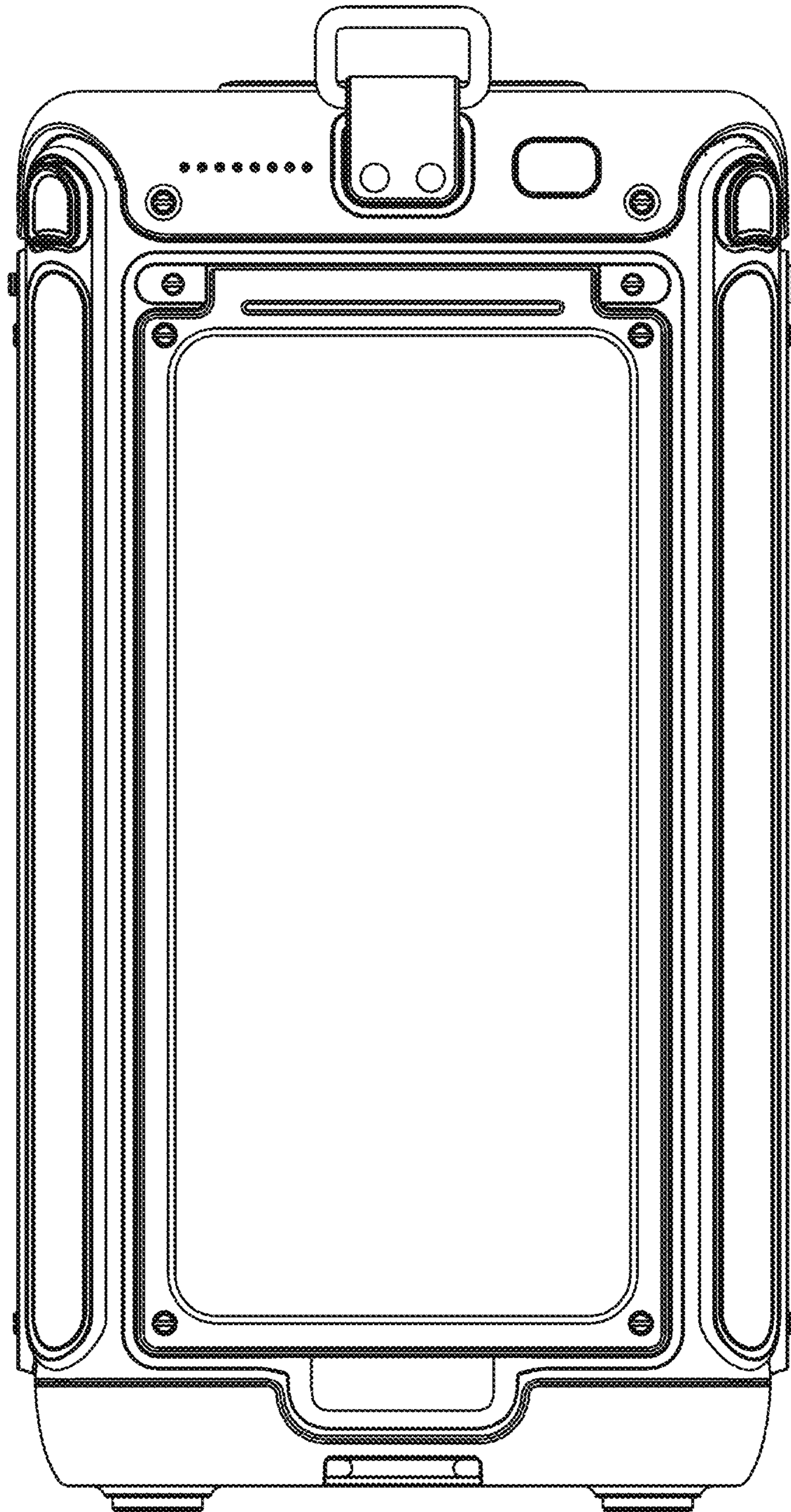


FIG 5

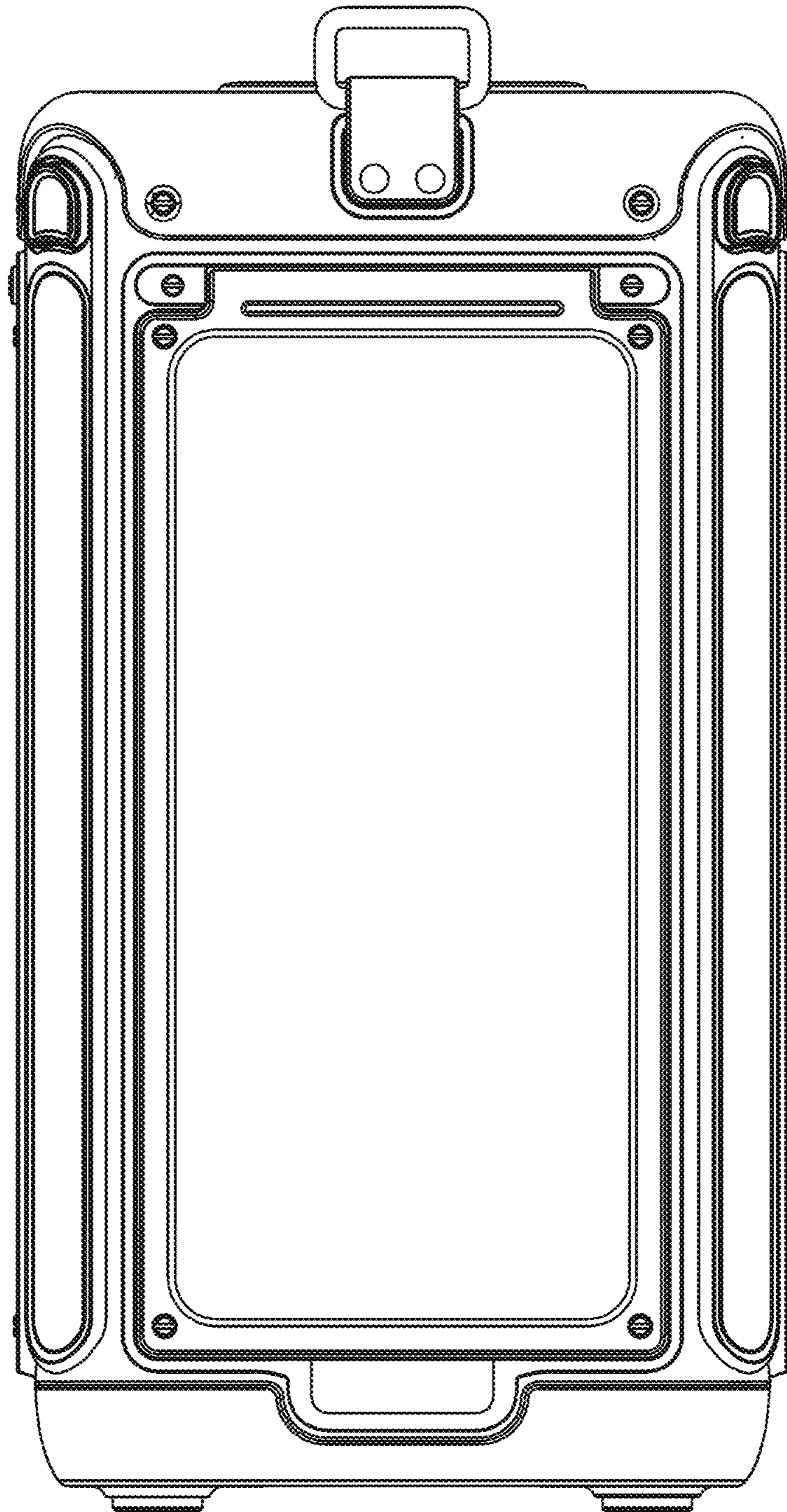


FIG 6

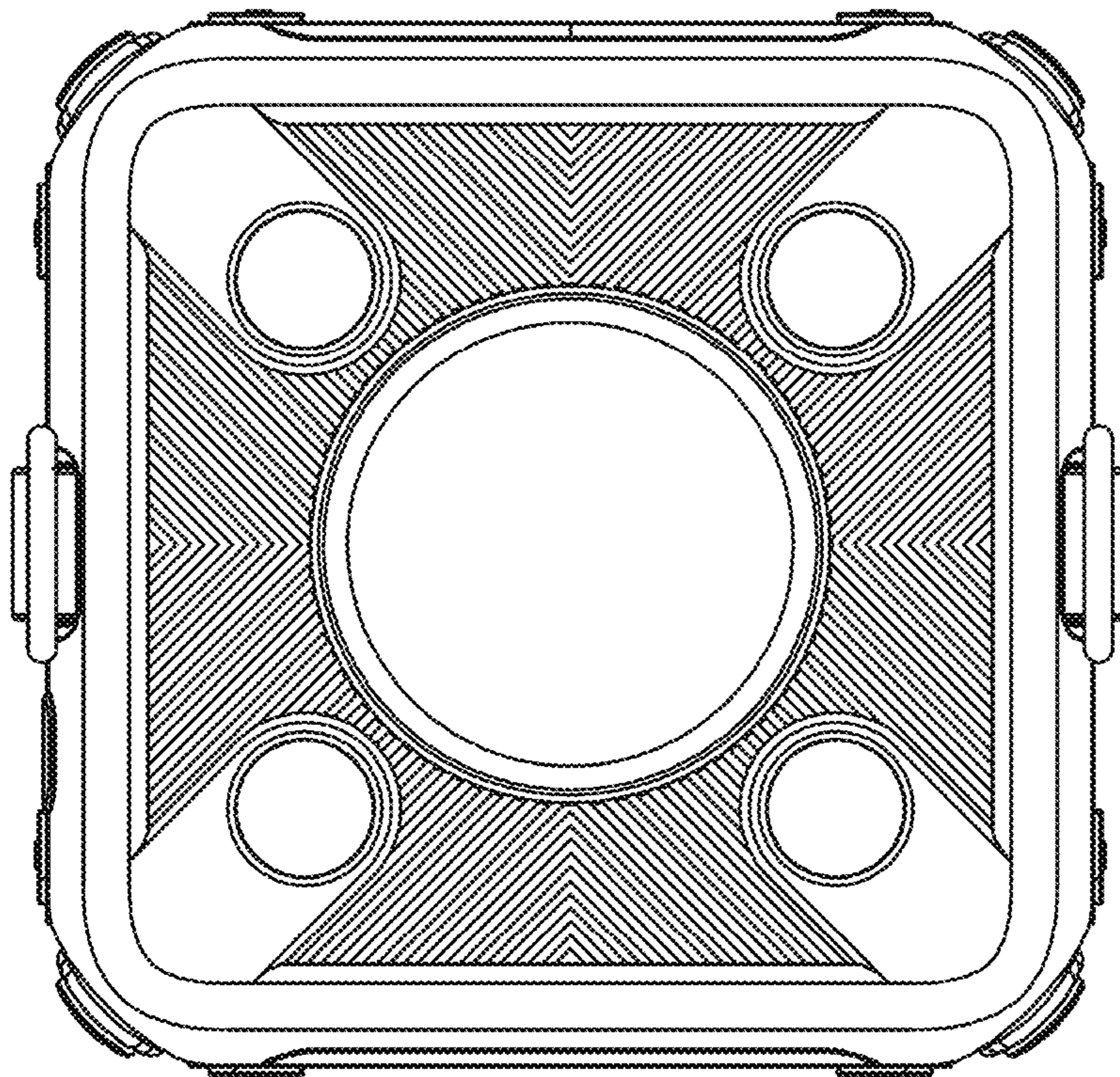


FIG 7

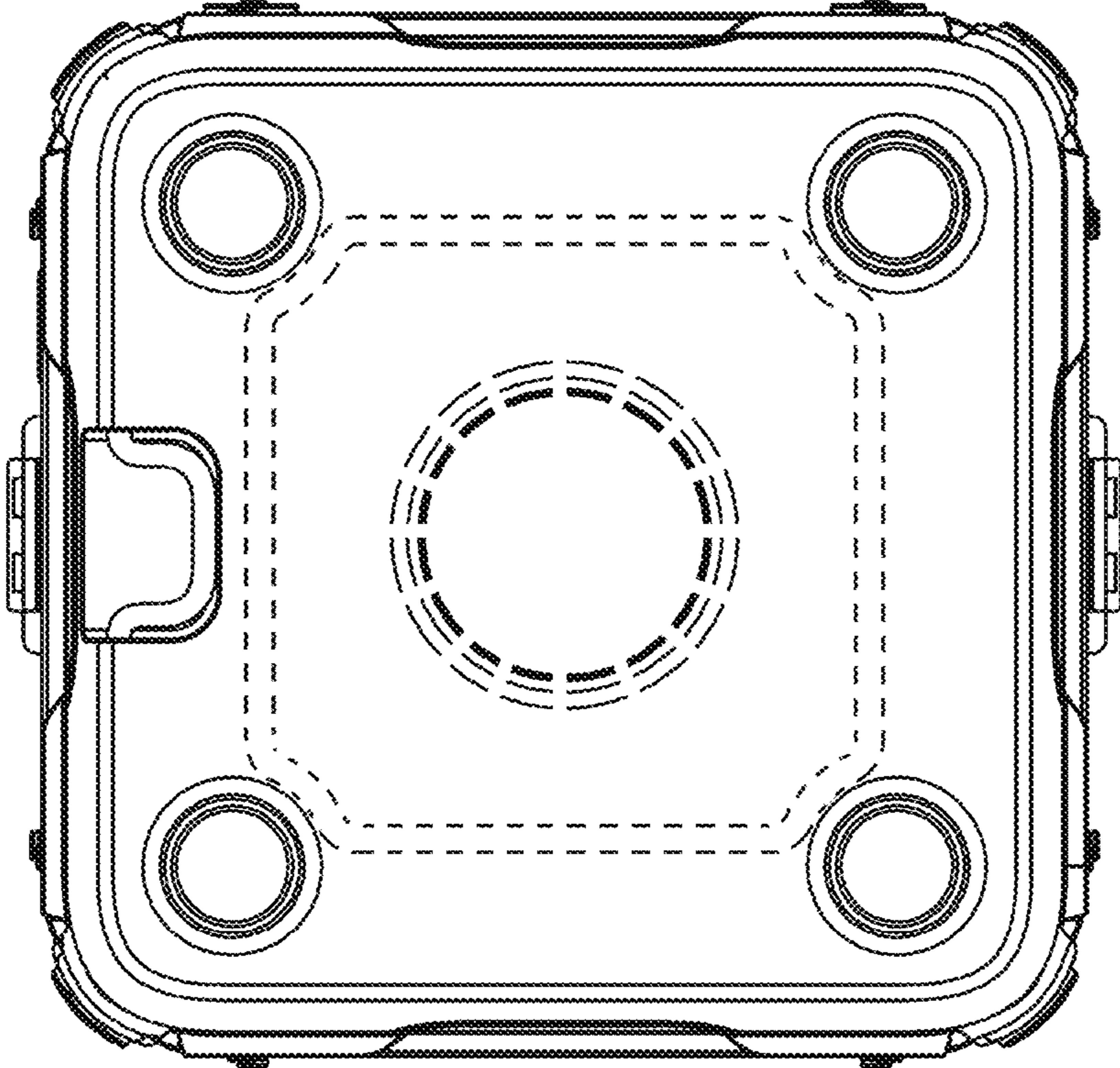


FIG 8