

US00D908075S

(12) **United States Design Patent** (10) **Patent No.:** **US D908,075 S**
Park et al. (45) **Date of Patent:** **** Jan. 19, 2021**

(54) **INSTRUMENT PANEL FOR AN AUTOMOBILE**

(71) Applicants: **Aaron Park**, Costa Mesa, CA (US); **Akihisa Okada**, Nagoya (JP); **Makoto Kato**, Hachioji (JP); **Takeshi Okabe**, Hachioji (JP); **Isamu Masakawa**, Toyota (JP)

(72) Inventors: **Aaron Park**, Costa Mesa, CA (US); **Akihisa Okada**, Nagoya (JP); **Makoto Kato**, Hachioji (JP); **Takeshi Okabe**, Hachioji (JP); **Isamu Masakawa**, Toyota (JP)

(73) Assignee: **TOYOTA JIDOSHA KABUSHIKI KAISHA**

(**) Term: **15 Years**

(21) Appl. No.: **29/707,115**

(22) Filed: **Sep. 26, 2019**

(30) **Foreign Application Priority Data**
Apr. 1, 2019 (JP) 2019-007098
(51) **LOC (13) Cl.** **12-16**
(52) **U.S. Cl.**
USPC **D12/415; D12/192**
(58) **Field of Classification Search**
USPC D12/191, 192, 190, 195, 345, 415-420, D12/400, 110, 114, 106, 96, 99; D14/157, 485, 489, 492, 488, 490; D15/17, 28; D10/113.4, 49, 46, 98, 102, D10/103, 122, 123, 124, 125, 126, 127; 296/70, 24.3, 37.12; 702/165
CPC ... B60R 21/045; B60R 2300/305; B60R 7/04; B60R 7/06; B60R 7/08; B60K 35/00; B60K 37/00; B60K 37/02; B60K 37/04; B60K 37/06; G06F 3/04817; H04N 21/4307; H04N 21/4312
See application file for complete search history.

(56) **References Cited**
U.S. PATENT DOCUMENTS
D596,096 S * 7/2009 Mori D12/192
D653,185 S * 1/2012 Senda D12/192
D697,459 S * 1/2014 Yamada D12/192
D704,610 S * 5/2014 Mizuhata D12/192
D726,612 S * 4/2015 Wiedeman D12/192
(Continued)

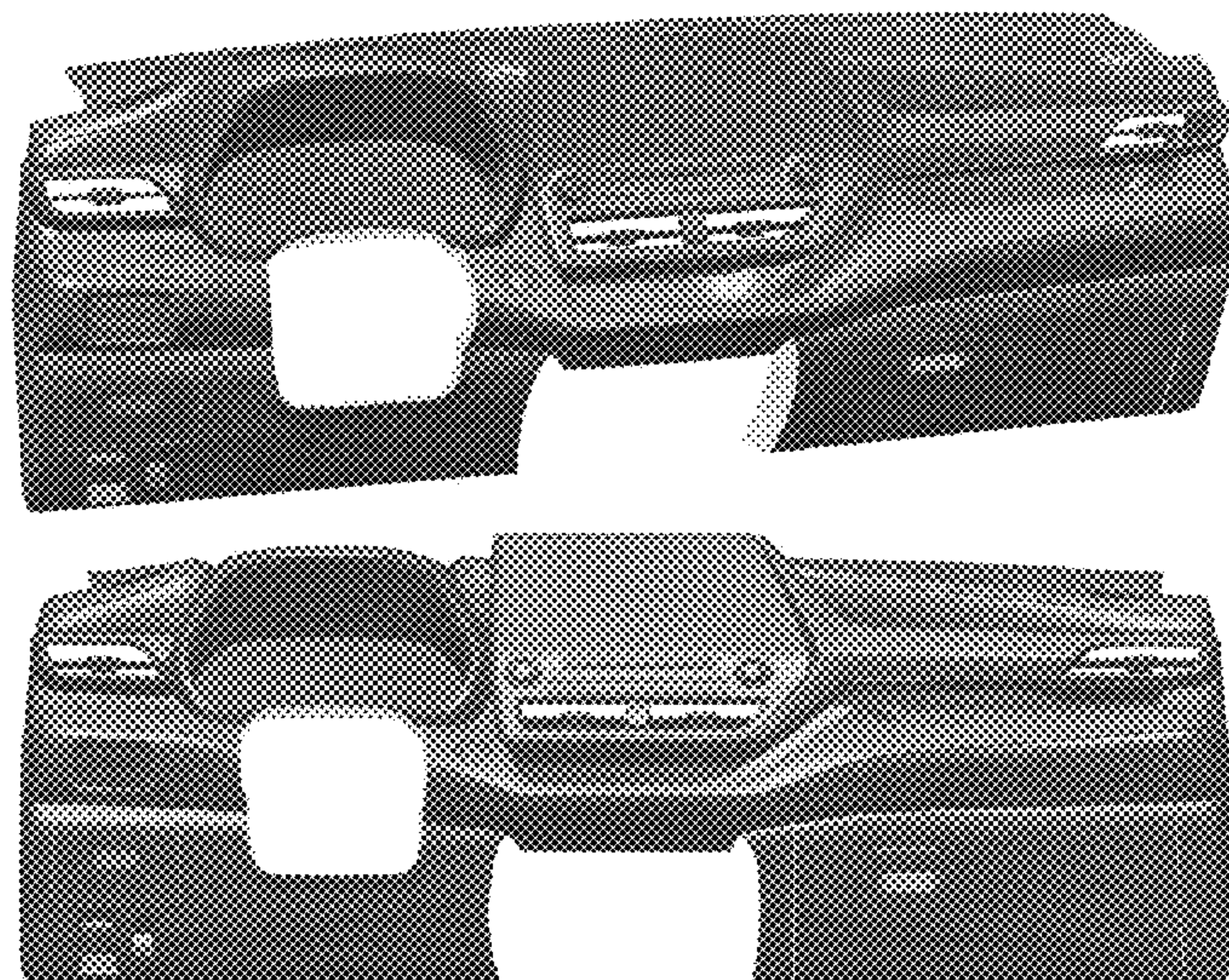
OTHER PUBLICATIONS
2016 Honda Civic Sedan, AutoBlog.com, Sep. 17, 2015, [online], [site visited Oct. 13, 2020]. <URL: <https://www.autoblog.com/photos/2016-honda-civic/#slide-1437871>> (Year: 2015).*
(Continued)

Primary Examiner — T Chase Nelson
Assistant Examiner — Jonathan J. Han
(74) *Attorney, Agent, or Firm* — Saidman DesignLaw Group, LLC

(57) **CLAIM**
The ornamental design for an instrument panel for an automobile, as shown and described.

DESCRIPTION
FIG. 1 is a perspective view of an instrument panel for an automobile showing our new design; FIG. 2 is a front view thereof; FIG. 3 is a rear view thereof; FIG. 4 is a right side view thereof; FIG. 5 is a left side view thereof; FIG. 6 is a top view thereof; and, FIG. 7 is a bottom view thereof. The claimed design is indicated by the relatively dark portions in the figures. The relatively light portions form no part of the claimed design.

1 Claim, 7 Drawing Sheets



(56)

References Cited

U.S. PATENT DOCUMENTS

D727,231 S * 4/2015 Narita D12/192
 D727,816 S * 4/2015 Takagi D12/192
 D733,021 S * 6/2015 Takagi D12/192
 D737,186 S * 8/2015 Nakao D12/192
 D761,709 S * 7/2016 Shimizu D12/192
 D762,152 S * 7/2016 Inagaki D12/192
 D763,154 S * 8/2016 Chang D12/192
 D770,348 S * 11/2016 Shimizu D12/192
 D791,664 S * 7/2017 Igarashi D12/192
 D795,146 S * 8/2017 Ogawa D12/192
 D800,040 S * 10/2017 Kasano D12/192
 D804,380 S * 12/2017 Nakai D12/192
 D807,266 S * 1/2018 Hasegawa D12/192
 D810,643 S * 2/2018 Takamura D12/192
 D813,769 S * 3/2018 Yaguchi D12/192
 D819,533 S * 6/2018 Choi D12/192
 D826,122 S * 8/2018 Yamamoto D12/192
 D828,259 S * 9/2018 Takagi D12/192
 D830,927 S * 10/2018 Tanaka D12/192
 D840,305 S * 2/2019 Chang D12/192

D847,054 S * 4/2019 Yamada D12/192
 D847,057 S * 4/2019 Kono D12/192
 D847,058 S * 4/2019 Ohtake D12/192
 D853,919 S * 7/2019 Hazumi D12/192
 D860,892 S * 9/2019 Ohmori D12/192
 D863,162 S * 10/2019 Schneider D12/192
 D864,816 S * 10/2019 Kabata D12/192
 D872,683 S * 1/2020 Motozaki D12/415
 D895,500 S * 9/2020 Nakao D12/192

OTHER PUBLICATIONS

2020 Toyota Corolla Multimedia & Entertainment Features, ToyotaArlington.com, Jun. 7, 2019, [online], [site visited Oct. 13, 2020]. <URL: <https://www.toyotaarlington.com/blog/2019/06/07/2020-toyota-corolla-multimedia-entertainment-features/>> (Year: 2019).*
 netcarshow.com, Toyota C-HR (2018), <https://www.netcarshow.com/toyota/2018-c-hr_us-version/>, available as early as Feb. 21, 2019.
 netcarshow.com, BMW X5 (2019), <<https://www.netcarshow.com/bmw/2019-x5/>>, available as early as Feb. 21, 2019.

* cited by examiner

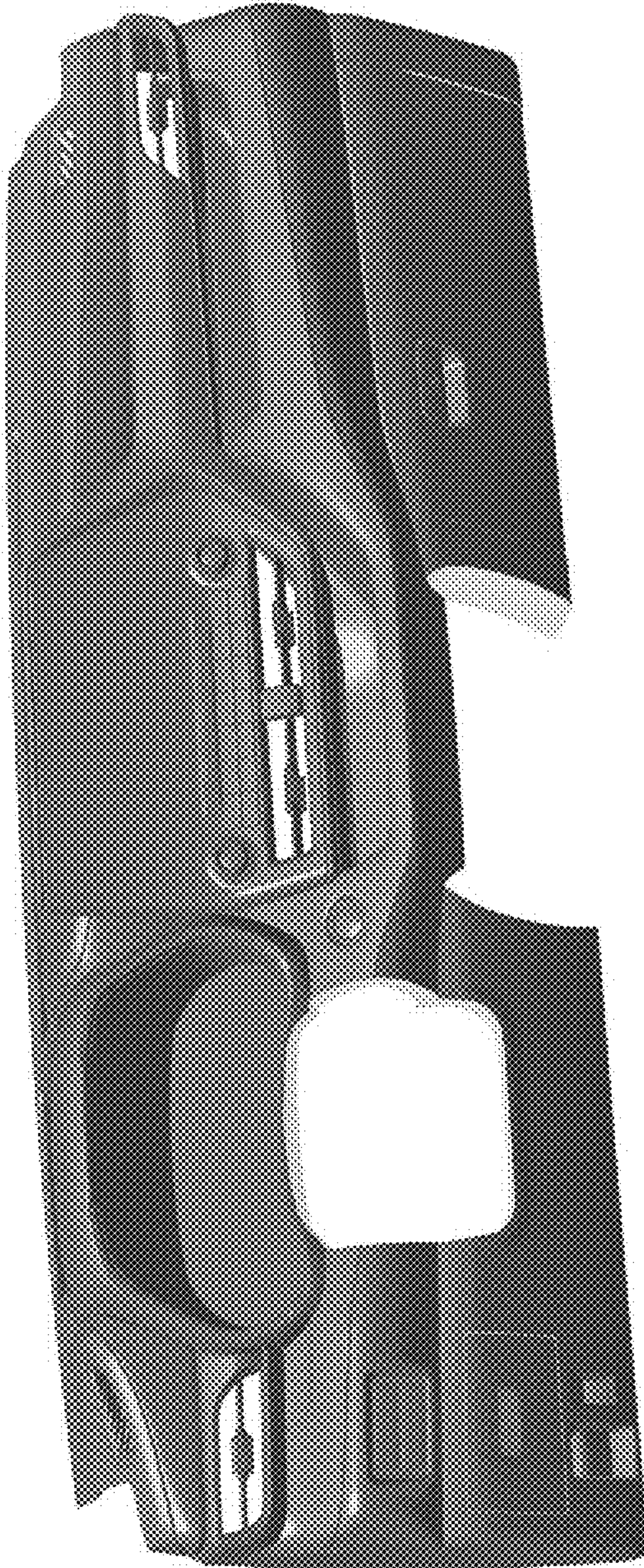


FIG. 1

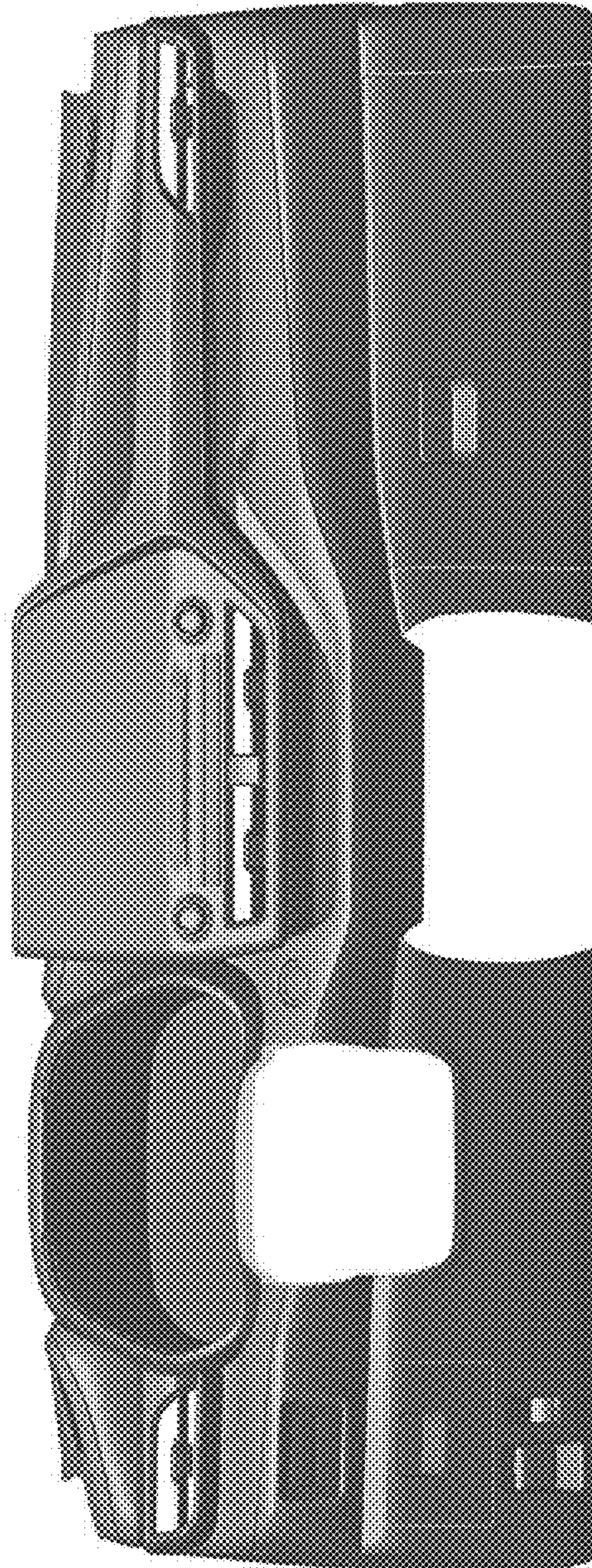


FIG. 2

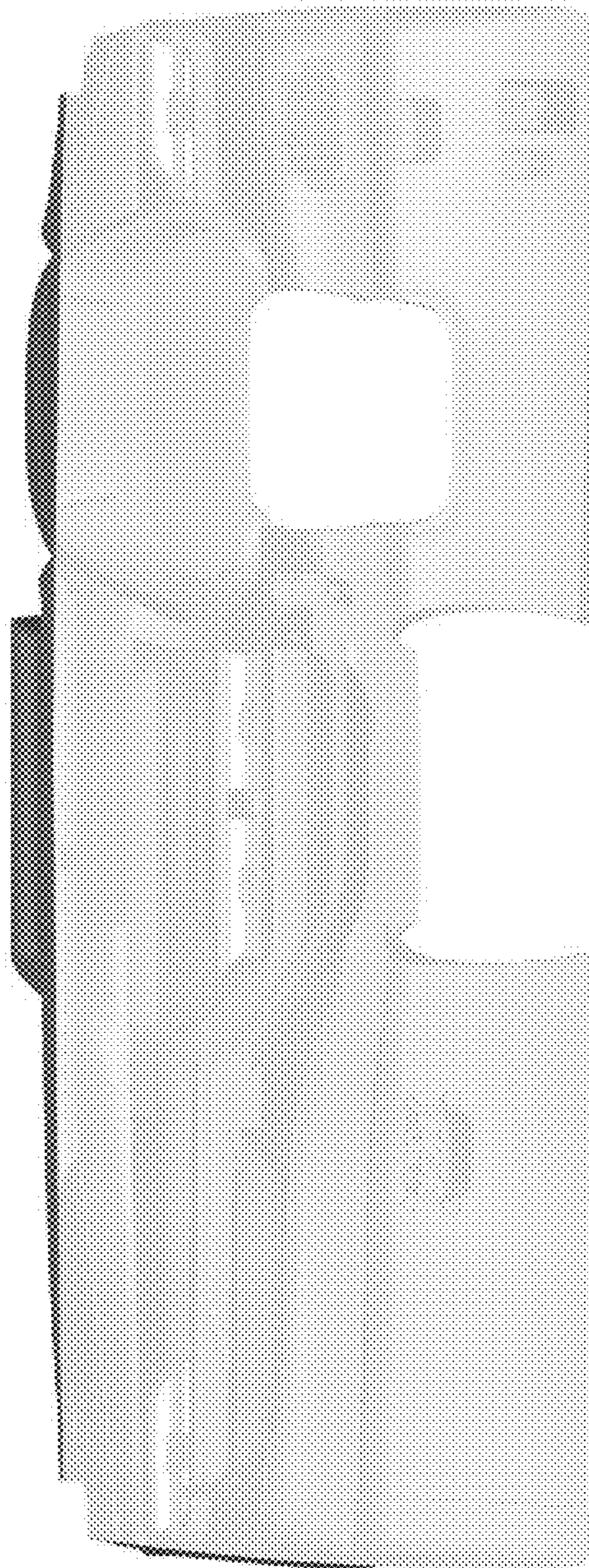


FIG. 3

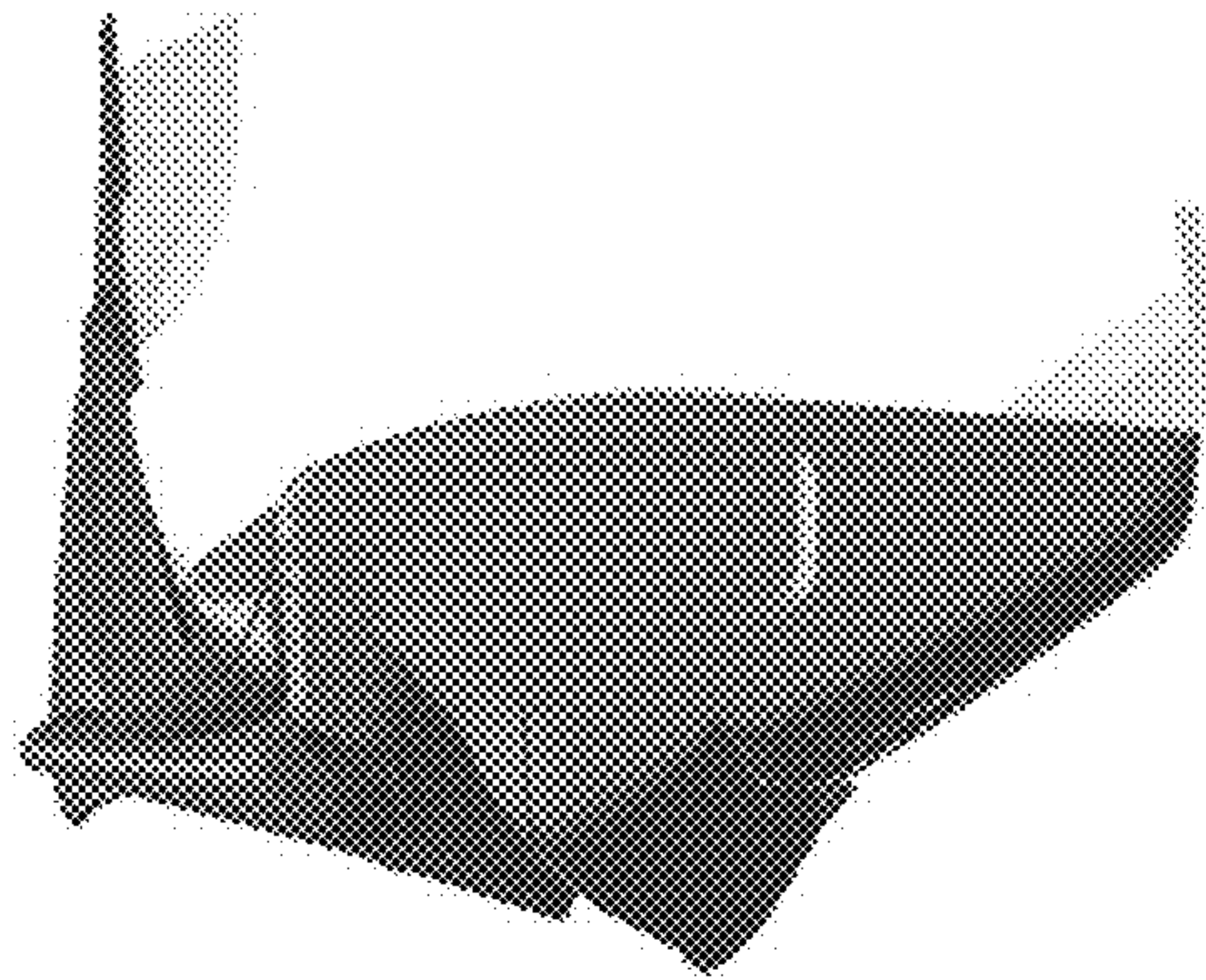


FIG. 4

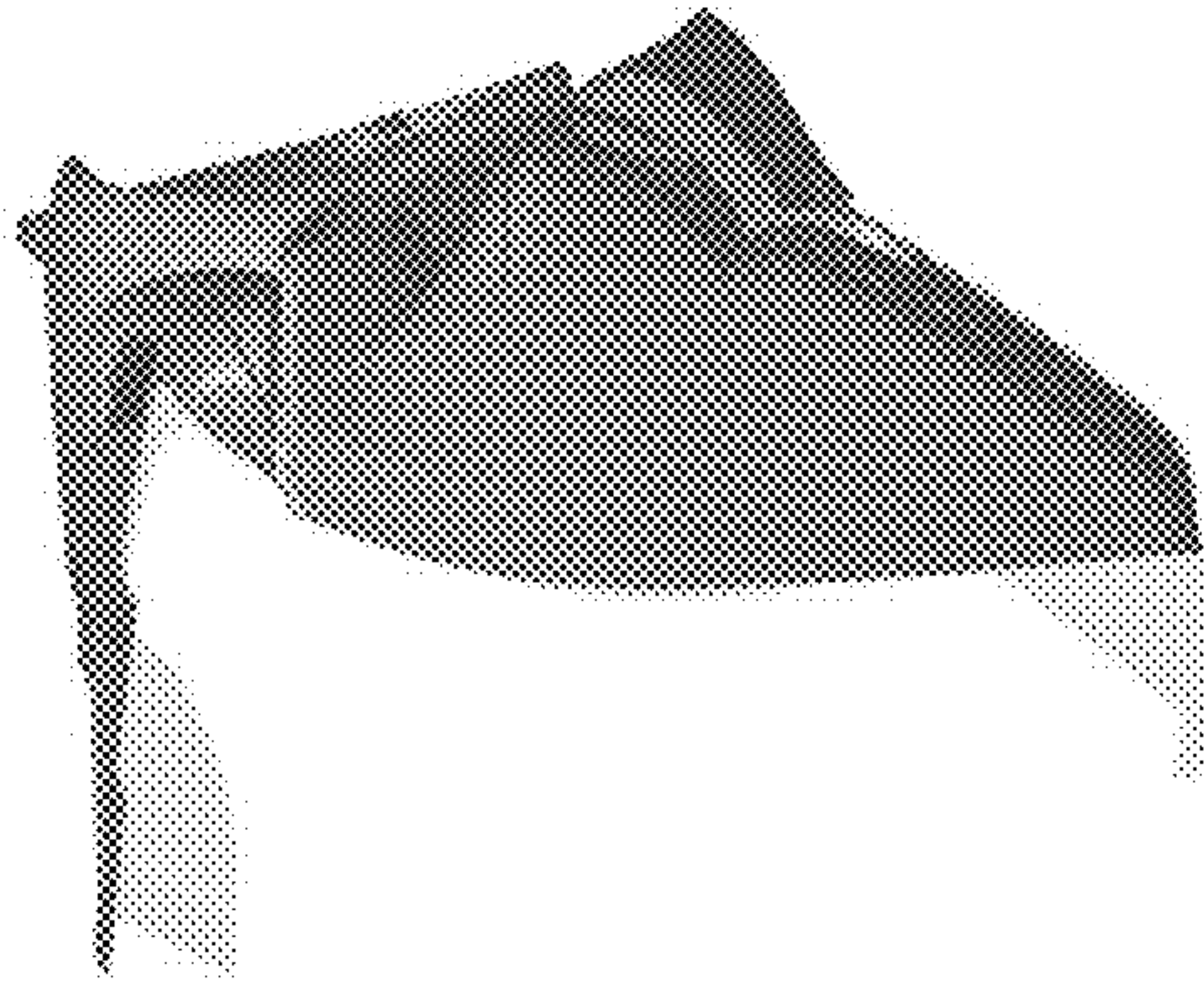


FIG. 5



FIG. 6

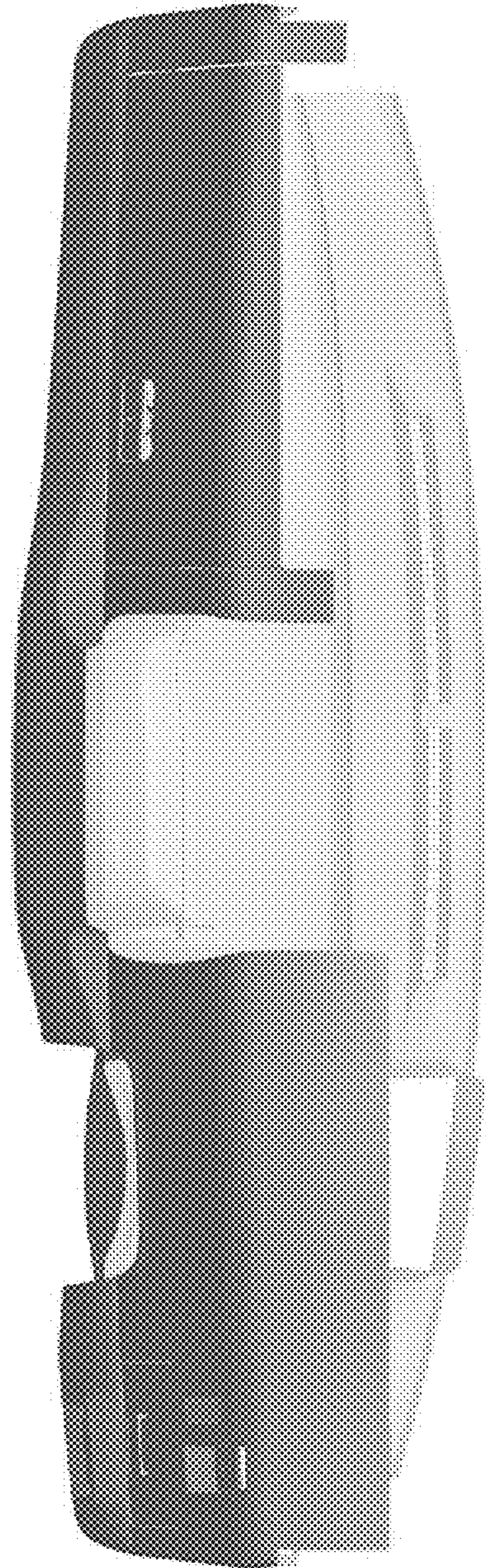


FIG. 7