



US00D908074S

(12) **United States Design Patent** (10) **Patent No.:** **US D908,074 S**  
**Buffery et al.** (45) **Date of Patent:** **\*\* Jan. 19, 2021**

(54) **FLOOR CONSOLE**

(56) **References Cited**

(71) Applicant: **Jaguar Land Rover Limited**, Coventry (GB)

U.S. PATENT DOCUMENTS

(72) Inventors: **Martin Buffery**, Coventry (GB); **Lee Perry**, Coventry (GB)

D359,266 S *	6/1995	Karp .....	D12/419
D448,720 S *	10/2001	Nash .....	D12/192
D568,232 S *	5/2008	Motozaki .....	D12/421
D636,410 S *	4/2011	Ono .....	D15/28
D640,293 S *	6/2011	Ono .....	D15/28
D685,397 S *	7/2013	Anderson .....	D15/28
D724,521 S *	3/2015	Ashley .....	D12/419
D826,838 S *	8/2018	Boyes .....	D12/415
D830,950 S *	10/2018	Lee .....	D12/415
D832,186 S *	10/2018	Stirnemann .....	D12/415
D832,766 S *	11/2018	Von Holzhausen .....	D12/415

(73) Assignee: **JAGUAR LAND ROVER LIMITED**, Coventry (GB)

(\*\*) Term: **15 Years**

\* cited by examiner

(21) Appl. No.: **29/704,201**

*Primary Examiner* — Katrina A Betton

(22) Filed: **Sep. 3, 2019**

(74) *Attorney, Agent, or Firm* — Reising Ethington P.C.

**Related U.S. Application Data**

(57) **CLAIM**

(62) Division of application No. 29/591,535, filed on Jan. 20, 2017, now Pat. No. Des. 864,090.

The ornamental design for a floor console, as shown and described.

**DESCRIPTION**

(30) **Foreign Application Priority Data**

Aug. 18, 2016	(EM) .....	003345628-0005
Aug. 18, 2016	(EM) .....	003345628-0006
Dec. 2, 2016	(EM) .....	003496942-0003
Dec. 2, 2016	(EM) .....	003496942-0004

FIG. 1 is a front left perspective view of a floor console for a vehicle according to the present invention.

FIG. 2 is a front right perspective view of the floor console shown in FIG. 1.

FIG. 3 is a rear left perspective view thereof.

FIG. 4 is a rear right perspective view thereof.

FIG. 5 is a front view thereof.

FIG. 6 is a rear view thereof.

FIG. 7 is a left side view thereof.

FIG. 8 is a right side view thereof; and,

FIG. 9 is a top view thereof.

(51) **LOC (13) Cl.** ..... **12-16**

(52) **U.S. Cl.**  
USPC ..... **D12/415**

(58) **Field of Classification Search**  
USPC ..... D12/406-414; D32/35, 58; D6/513-514  
CPC ..... B62J 9/003; B62J 7/06; B62J 9/001  
See application file for complete search history.

**1 Claim, 8 Drawing Sheets**

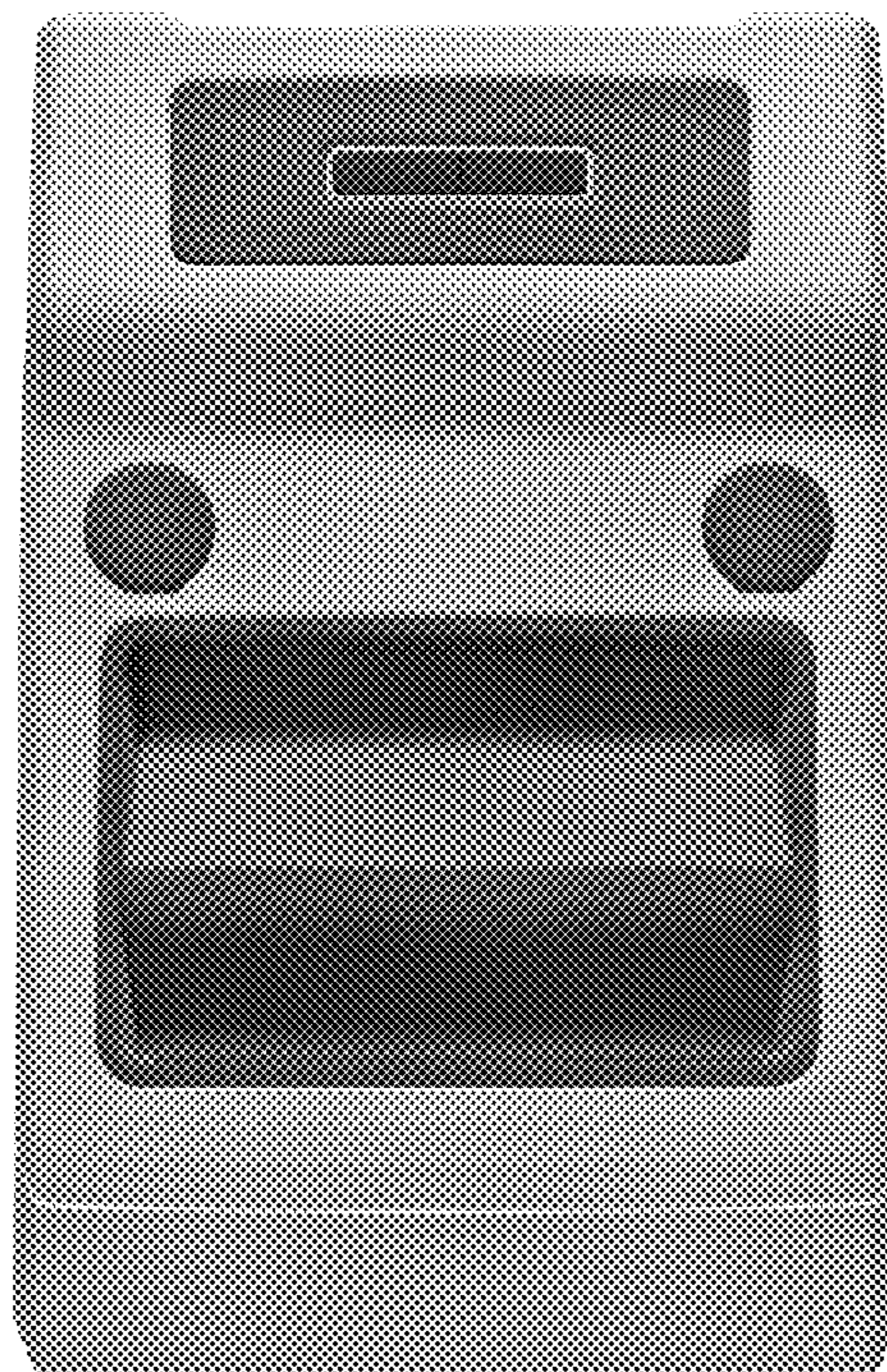






FIG. 1





FIG. 2



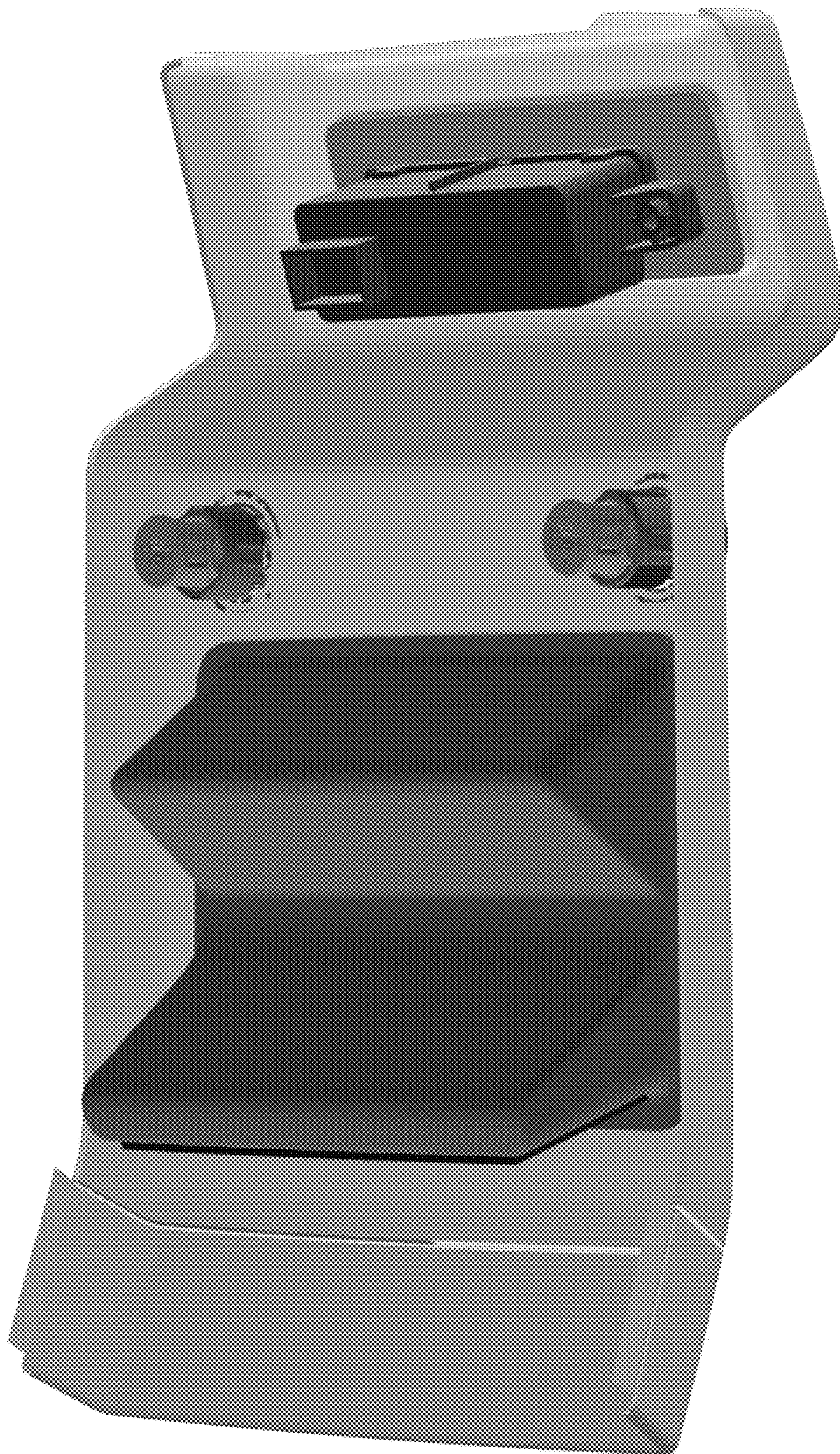


FIG. 3





FIG. 4



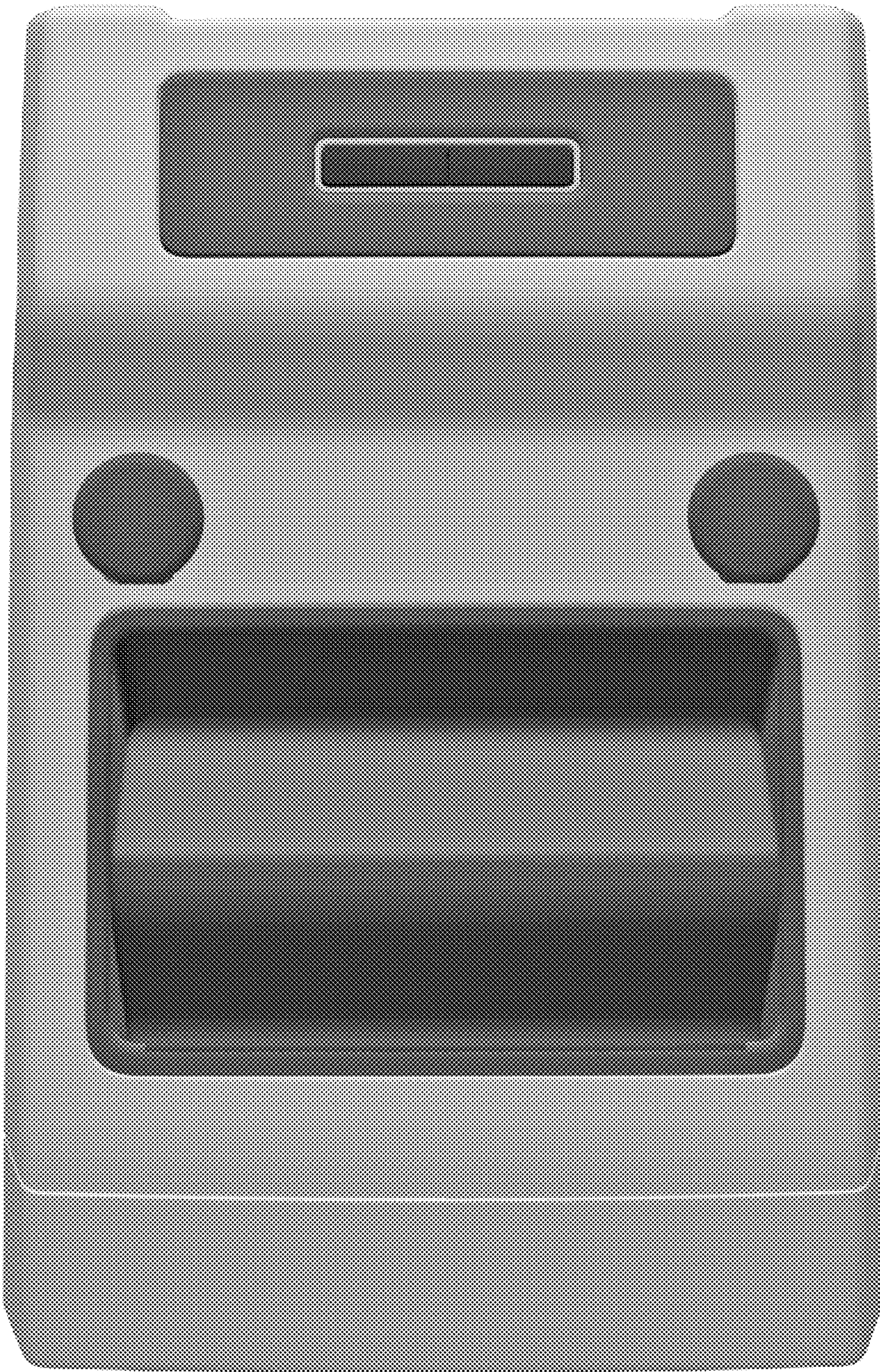


FIG. 5





FIG. 6



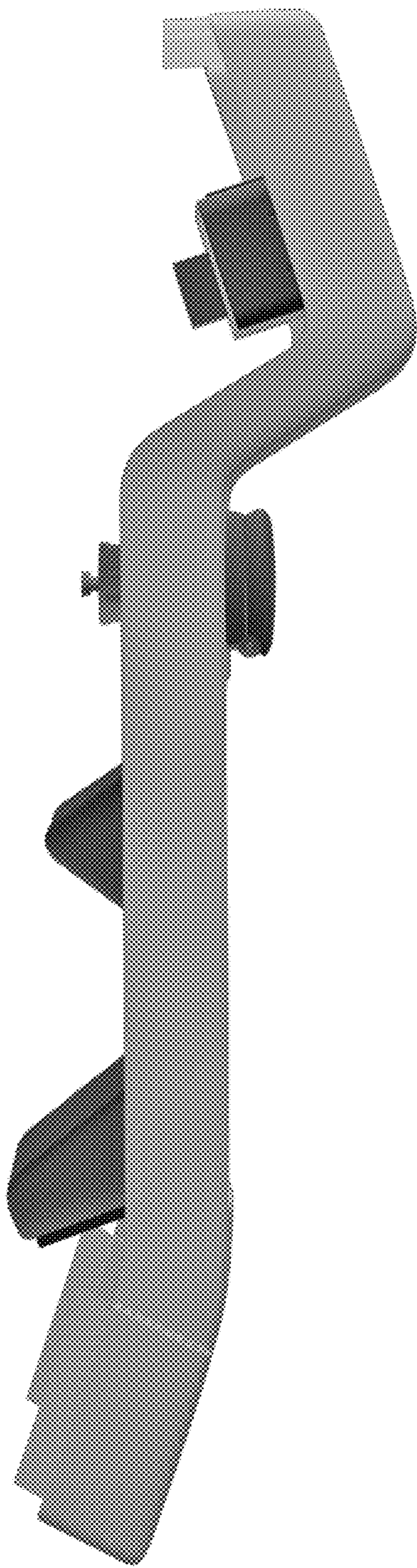


FIG. 7

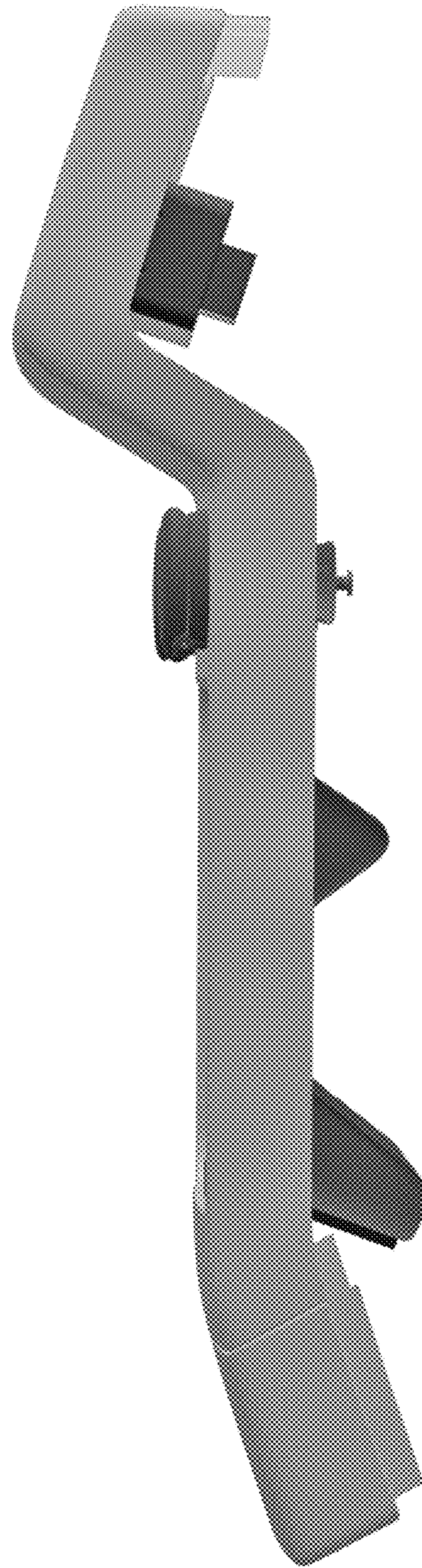


FIG. 8



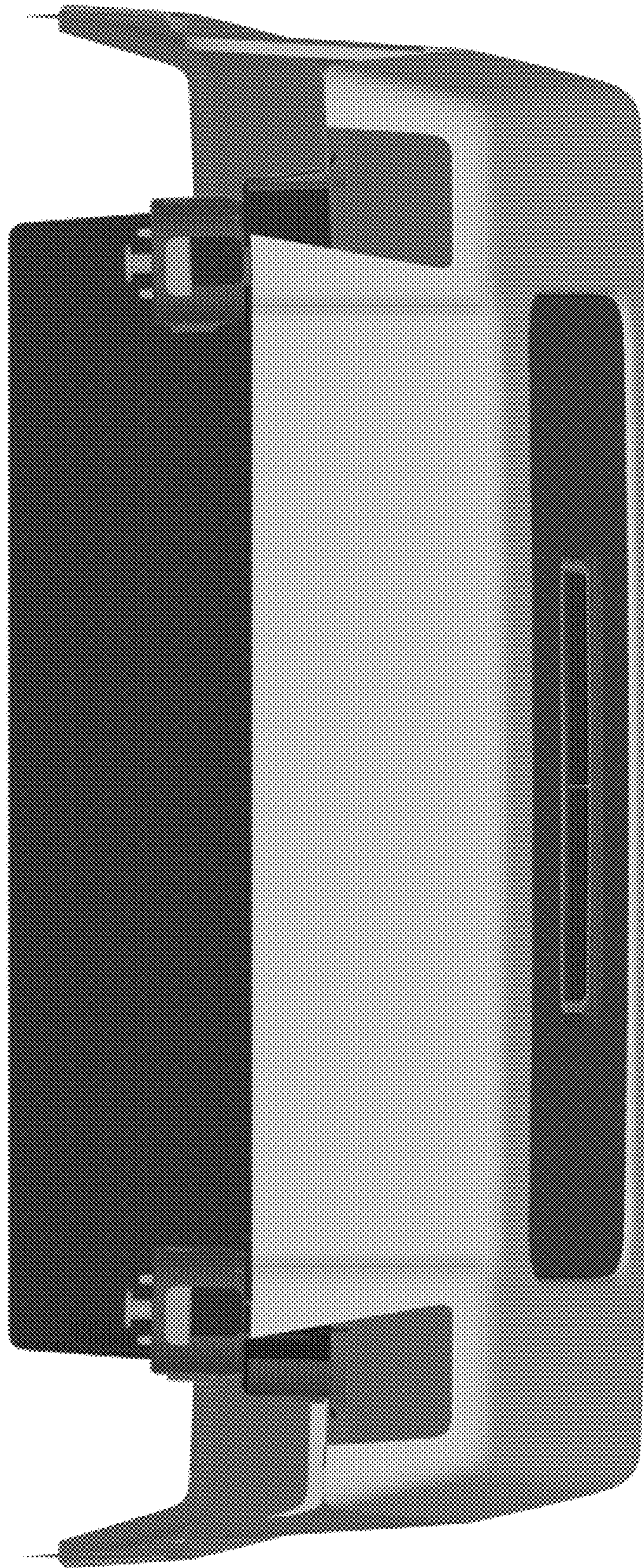


FIG. 9