



US00D908073S

(12) **United States Design Patent** (10) **Patent No.:** **US D908,073 S**
Warner (45) **Date of Patent:** **** Jan. 19, 2021**

(54) **CENTER CONSOLE**

(71) Applicant: **Jaguar Land Rover Limited**, Coventry (GB)

(72) Inventor: **John Warner**, Coventry (GB)

(73) Assignee: **Jaguar Land Rover Limited**, Coventry (GB)

(**) Term: **15 Years**

(21) Appl. No.: **29/687,652**

(22) Filed: **Apr. 15, 2019**

(30) **Foreign Application Priority Data**

Oct. 25, 2018 (EM) 005808441

(51) **LOC (13) Cl.** **12-16**

(52) **U.S. Cl.**
USPC **D12/415**

(58) **Field of Classification Search**
USPC D12/415-420, 400, 195, 191, 106, 345,
D12/96, 99; D21/421; D7/619.1-625,
D7/701

CPC B60R 7/04; B60R 7/06; B60R 7/08; B60N
2/46

See application file for complete search history.

(56) **References Cited**

U.S. PATENT DOCUMENTS

D538,737 S * 3/2007 Scully D12/421
D539,714 S * 4/2007 Toyama D12/192
D673,496 S * 1/2013 Kikuta D12/415
D711,811 S * 8/2014 Maruyama D12/424
D725,582 S * 3/2015 Kobari D12/419
D727,231 S * 4/2015 Narita D12/192
D764,387 S * 8/2016 Tanaka D12/419
D765,017 S * 8/2016 Manzari D12/419
D765,018 S * 8/2016 Sahs D12/419
D766,811 S * 9/2016 Shouno D12/419
D766,812 S * 9/2016 Kabata D12/423

D770,968 S * 11/2016 Willis D12/415
D788,020 S * 5/2017 Yaguchi D12/415
D793,313 S * 8/2017 Zimmermann D12/192
(Continued)

FOREIGN PATENT DOCUMENTS

CN 305530062 * 5/2019

OTHER PUBLICATIONS

2020 Land Rover Range Rover Evoque, MiniNorthScottsdale.com, [online], [site visited May 28, 2020]. <URL: https://www.mininorthscottsdale.com/details-2020-land_rover-range_rover_evoque-courtesy-vehicle_-used-salzj2fx51h048676.html> (Year: 2020).*

(Continued)

Primary Examiner — T Chase Nelson

Assistant Examiner — Jonathan J. Han

(74) *Attorney, Agent, or Firm* — Wood Herron & Evans LLP

(57) **CLAIM**

The ornamental design for a center console, as shown and described.

DESCRIPTION

FIG. 1 is a front left elevated perspective view of a center console according to the present invention.

FIG. 2 is a front left perspective view of the center console shown in FIG. 1.

FIG. 3 is a rear right elevated perspective view thereof.

FIG. 4 is a rear right perspective view thereof.

FIG. 5 is a front view thereof.

FIG. 6 is a rear view thereof.

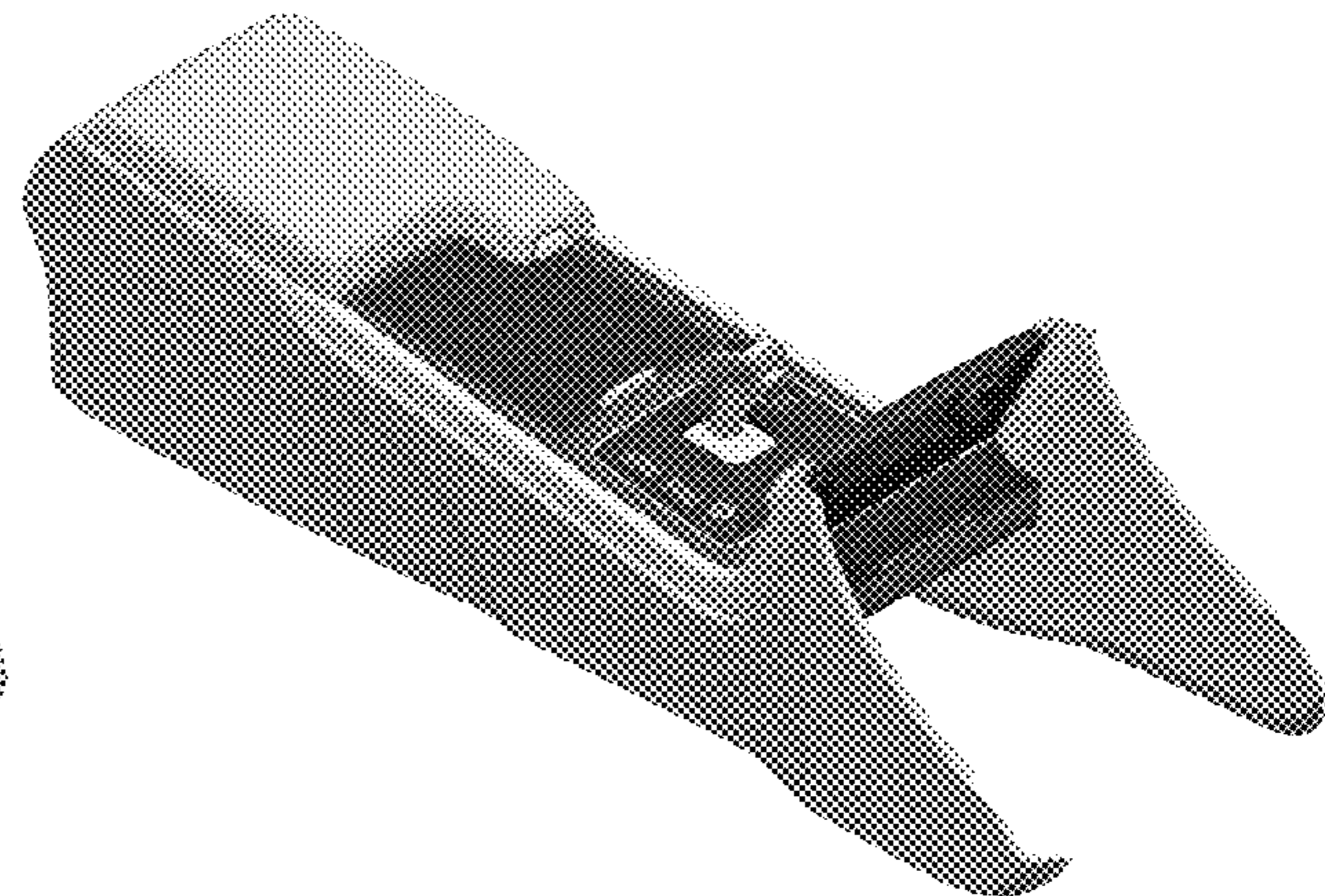
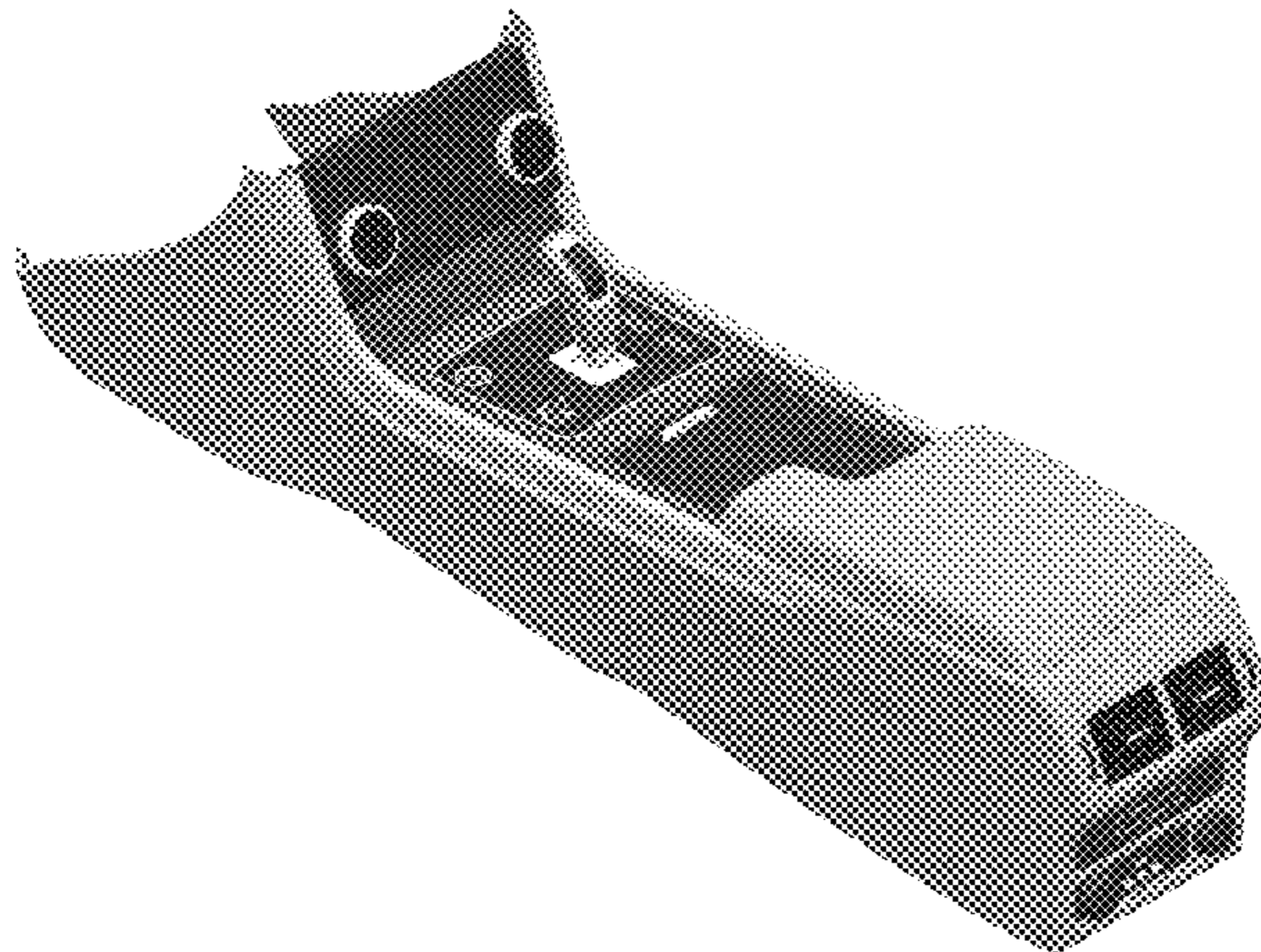
FIG. 7 is a left side view thereof.

FIG. 8 is a right side view thereof; and,

FIG. 9 is a top view thereof.

The broken lines show portions of the center console that form no part of the claimed design.

1 Claim, 9 Drawing Sheets



(56)

References Cited

U.S. PATENT DOCUMENTS

D801,245	S	*	10/2017	Giolito	D12/192
D809,443	S	*	2/2018	Walker	D12/192
D824,306	S	*	7/2018	Joyce	D12/192
D824,838	S	*	8/2018	Takamura	D12/419
D826,813	S	*	8/2018	Carr	D12/192
D830,951	S	*	10/2018	Karasawa	D12/419
D832,187	S	*	10/2018	Buffery	D12/419
D836,059	S	*	12/2018	Takagi	D12/415
D836,060	S	*	12/2018	Takagi	D12/415
D840,325	S	*	2/2019	Sandys	D12/415
D844,515	S	*	4/2019	Webber	D12/192
D847,055	S	*	4/2019	De Vienne	D12/192
D857,611	S	*	8/2019	Igarashi	D12/415
D863,162	S	*	10/2019	Schneider	D12/192
D864,066	S	*	10/2019	Ray	D12/192
D864,815	S	*	10/2019	Ray	D12/192
D869,380	S	*	12/2019	Kabata	D12/415
D872,683	S	*	1/2020	Motozaki	D12/415
D876,318	S	*	2/2020	Ray	D12/415
D877,042	S	*	3/2020	Ray	D12/415
D880,402	S	*	4/2020	Ray	D12/415

OTHER PUBLICATIONS

2020 Land Rover Discovery Sport HSE, NaplesLuxuryImports.com, [online], [site visited May 28, 2020]. <URL: <https://www.naplesluxuryimports.com/new-Naples-2020-Land+Rover-Discovery+Sport-HSE-SALCM2GX7LH840453>> (Year: 2020).*

Refreshed 2020 Jaguar XE gets upgraded interior, AutoBlog.com, Sven Gustafson, Apr. 18, 2019 at 2:30PM, [online], [site visited May 28, 2020]. <URL: <https://www.autoblog.com/2019/04/18/2020-jaguar-xe-interior-refresh-details/>> (Year: 2019).*

* cited by examiner

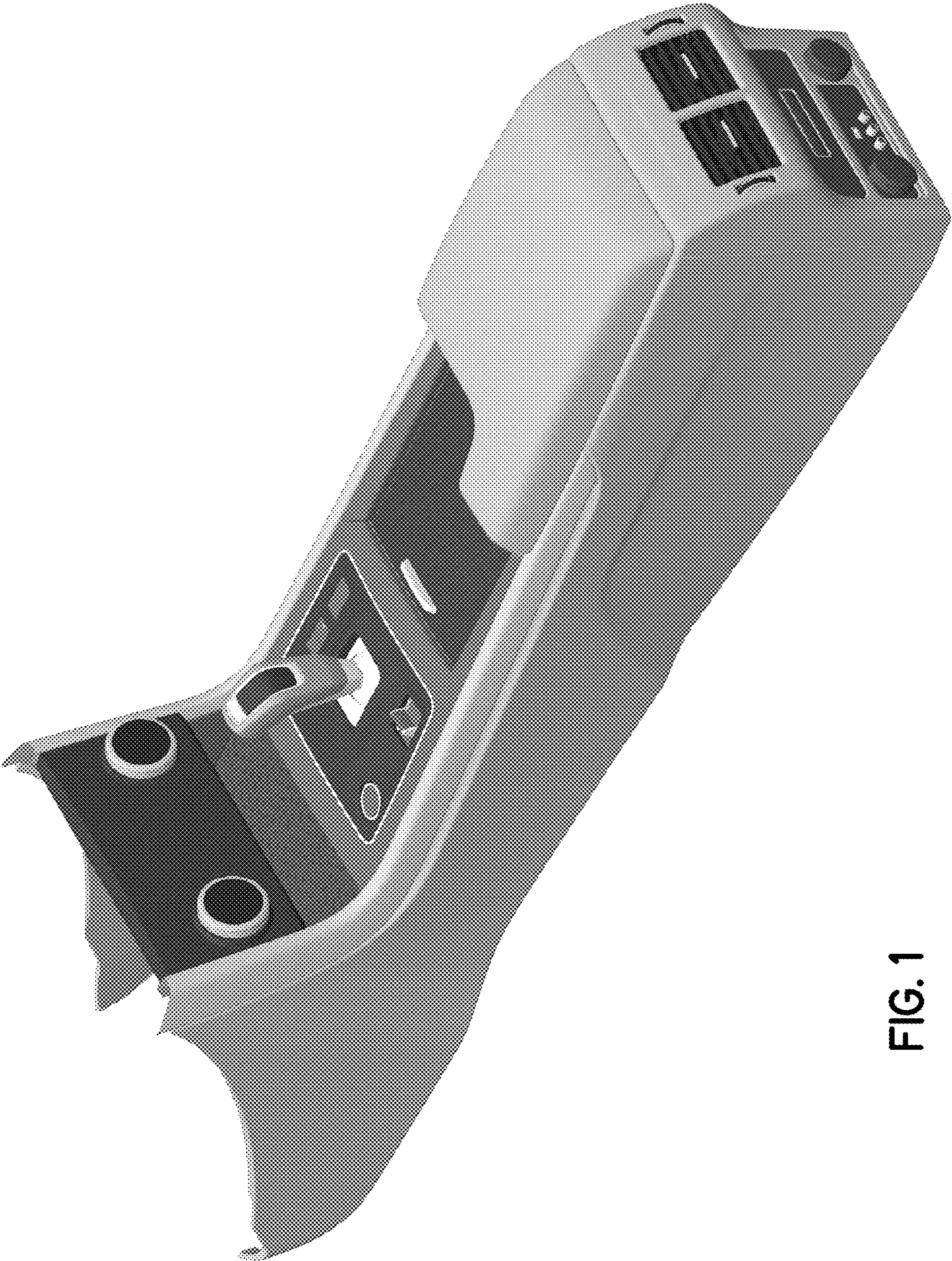


FIG. 1

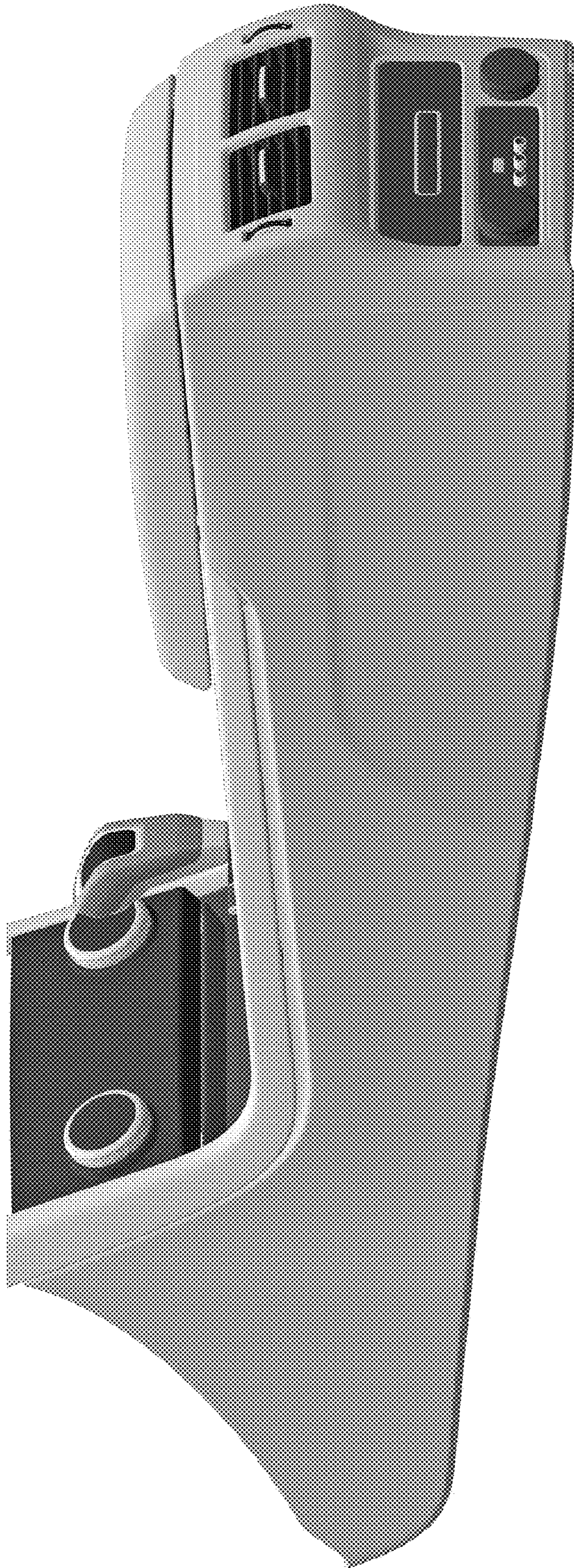


FIG. 2

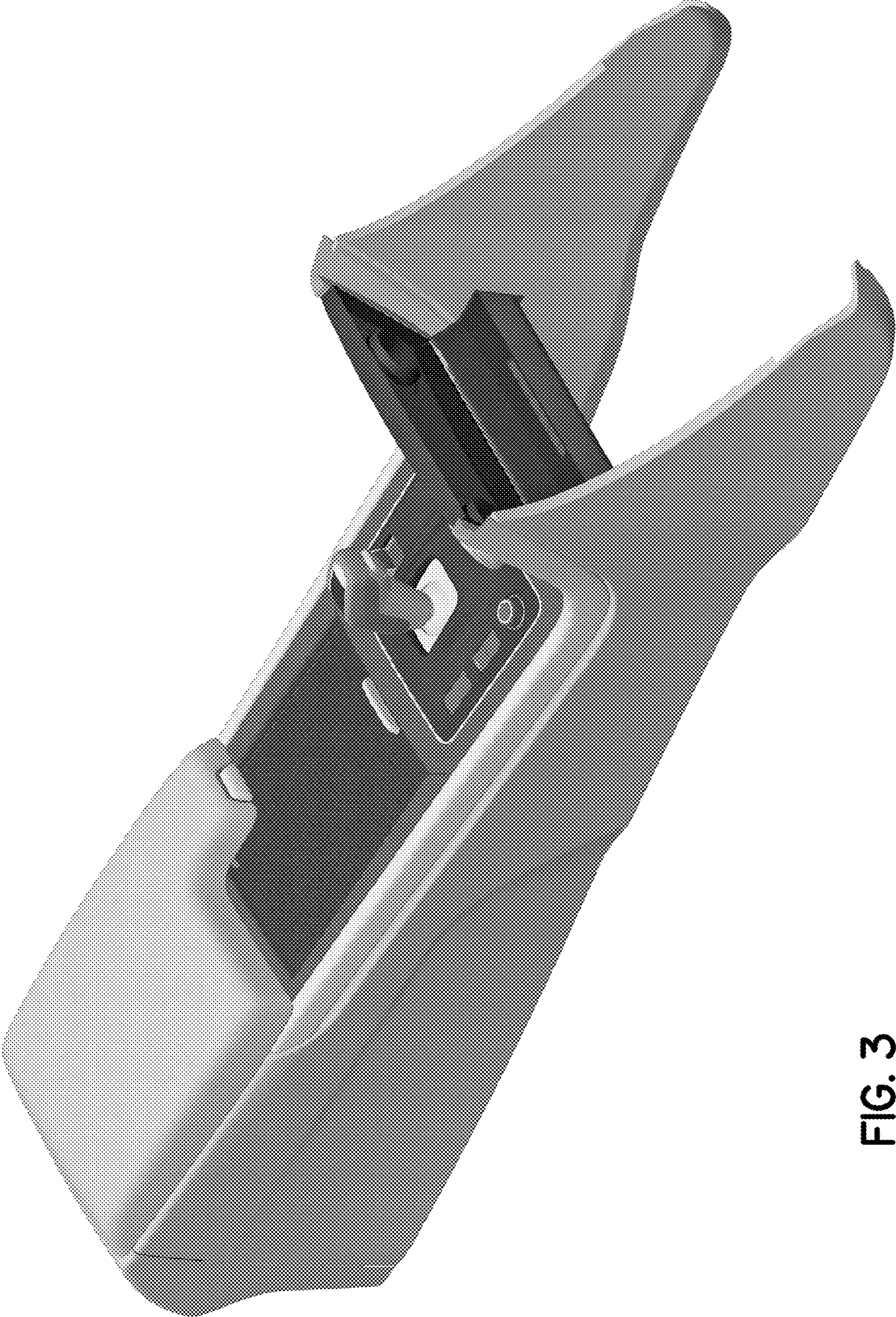


FIG. 3



FIG. 4



FIG. 5

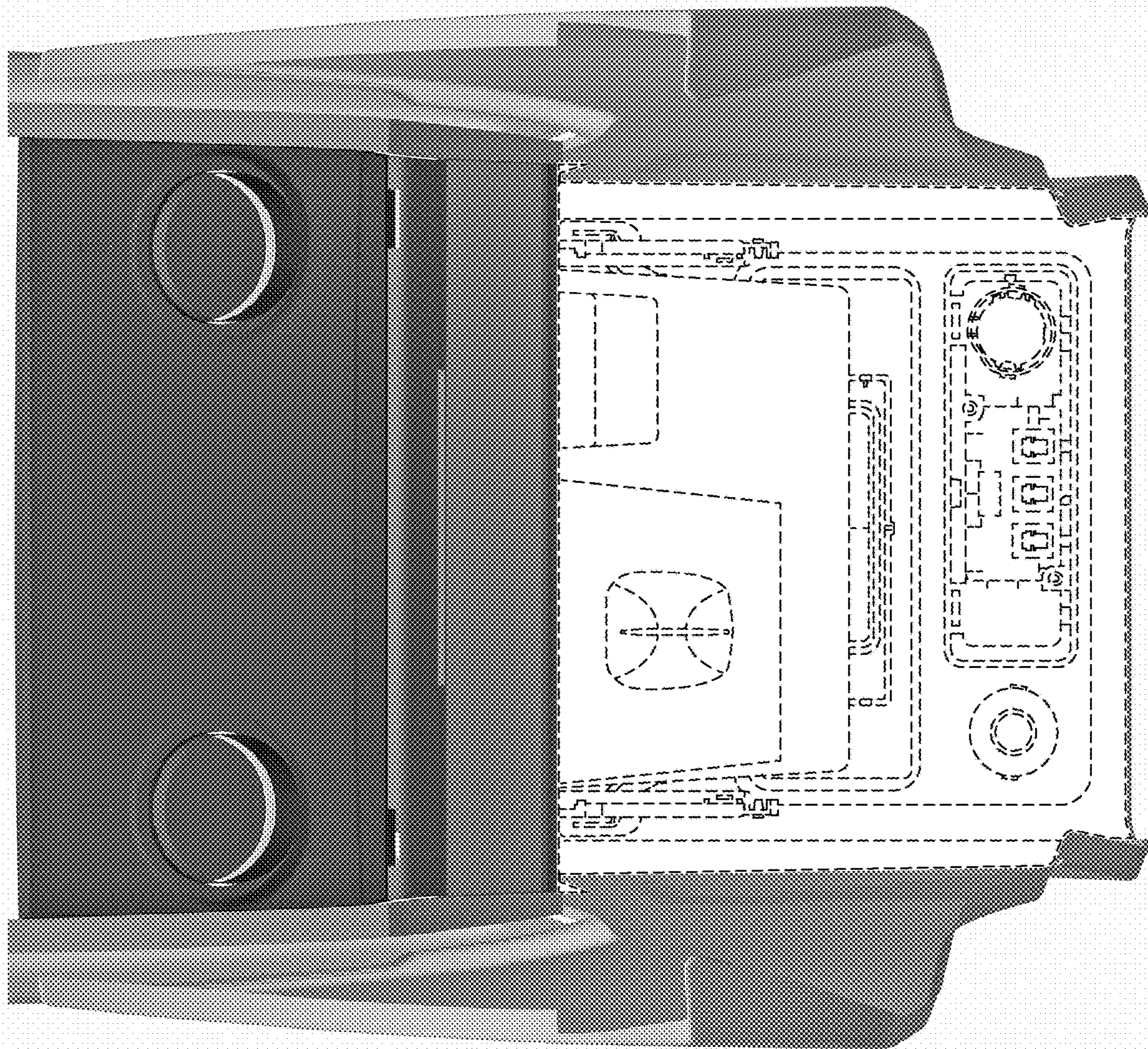


FIG. 6

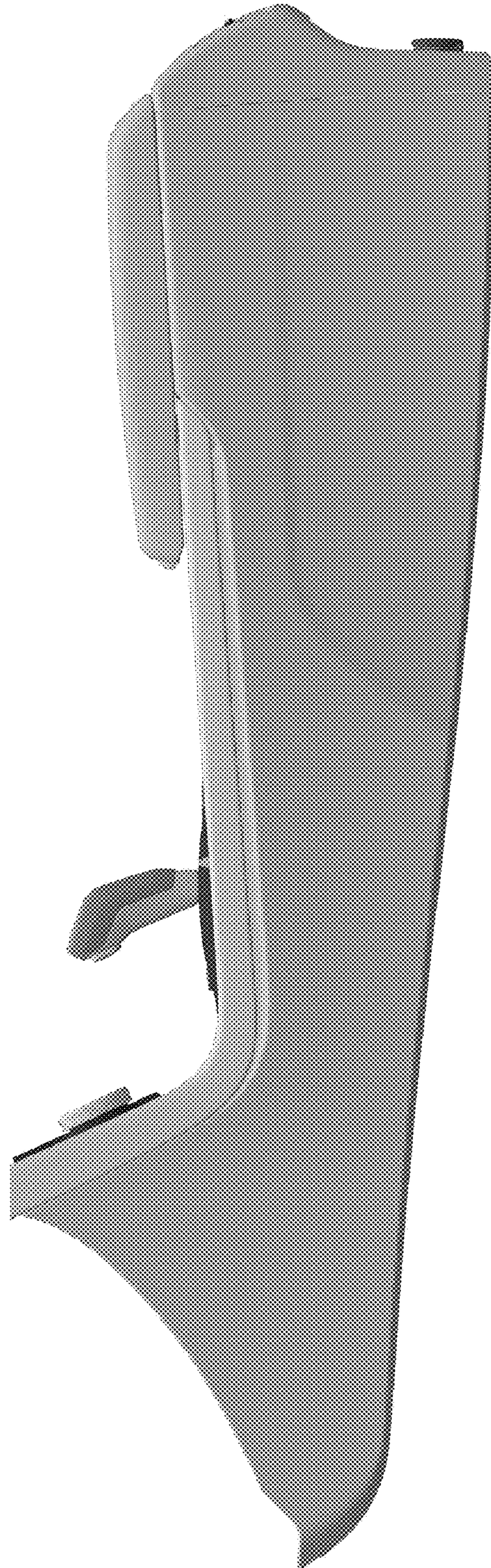


FIG. 7

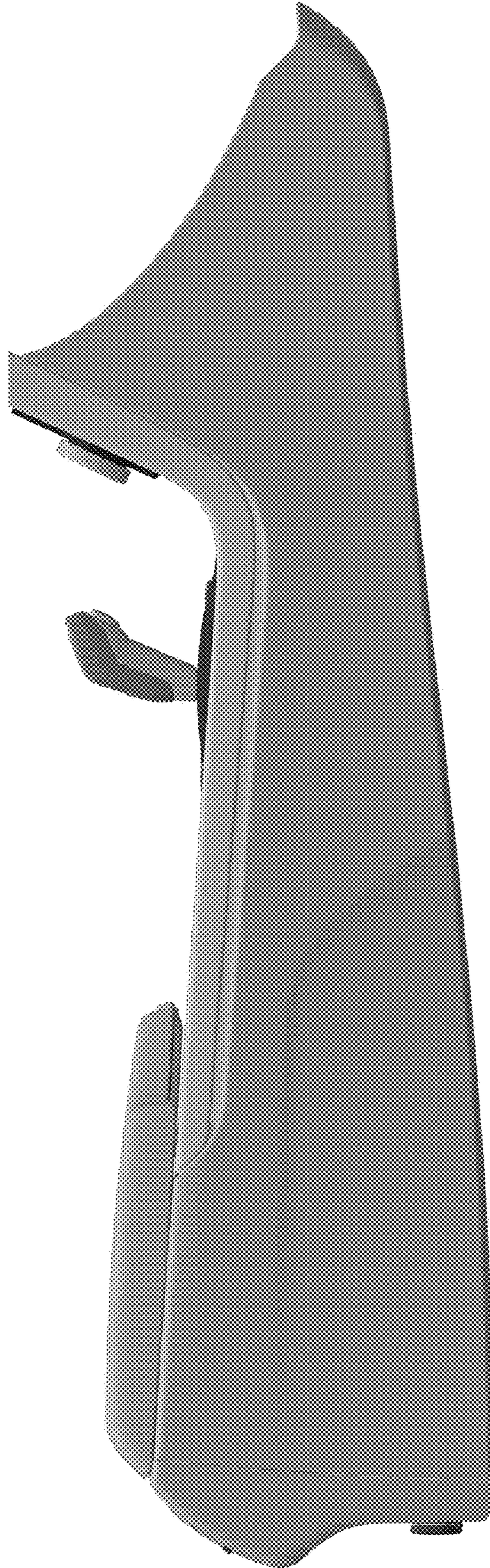


FIG. 8

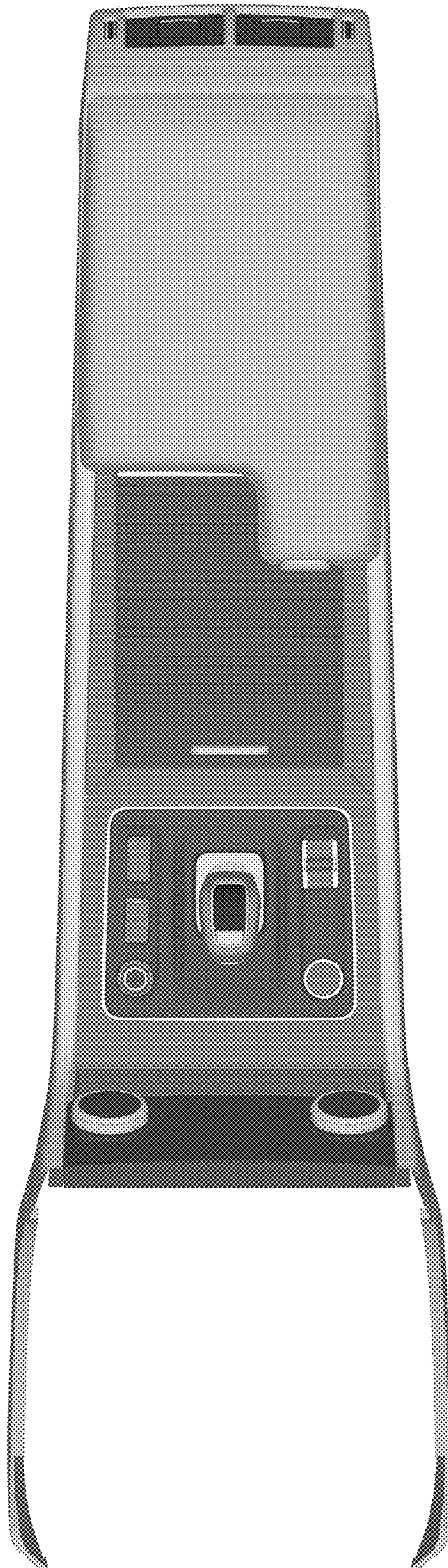


FIG. 9