



US00D908071S

(12) **United States Design Patent**
Connellan et al.

(10) **Patent No.:** **US D908,071 S**
(45) **Date of Patent:** **** Jan. 19, 2021**

(54) **CORNER ELEMENT FOR A ROOF RACK**

(71) Applicant: **Rhino Rack Australia Pty Limited,**
New South Wales (AU)

(72) Inventors: **Adam Connellan,** New South Wales
(AU); **Warren Hayden Asquith,** New
South Wales (AU)

(73) Assignee: **Rhino Rack Australia PTY Limited,**
New South Wales (AU)

(**) Term: **15 Years**

(21) Appl. No.: **29/685,744**

(22) Filed: **Mar. 29, 2019**

(30) **Foreign Application Priority Data**

Oct. 9, 2018 (AU) 201816000

(51) **LOC (13) Cl.** **12-16**

(52) **U.S. Cl.**
USPC **D12/412**

(58) **Field of Classification Search**
CPC B60R 9/04; B60R 9/048; B60R 9/045
See application file for complete search history.

(56) **References Cited**

U.S. PATENT DOCUMENTS

D497,589 S * 10/2004 Elwell D12/414
D577,327 S * 9/2008 Jung D12/412

D709,818 S * 7/2014 Zhang D12/412
D758,256 S * 6/2016 Cropley D12/412
D867,262 S * 11/2019 Eriksson D12/412
D869,378 S * 12/2019 Hornsby D12/414
D879,012 S * 3/2020 Guo D12/412
D879,703 S * 3/2020 Perry D12/412
D885,304 S * 5/2020 Eriksson D12/414
D895,529 S * 9/2020 Chang D12/412

* cited by examiner

Primary Examiner — Katrina A Betton

(74) *Attorney, Agent, or Firm* — Magleby, Cataxinos &
Greenwood, P.C.

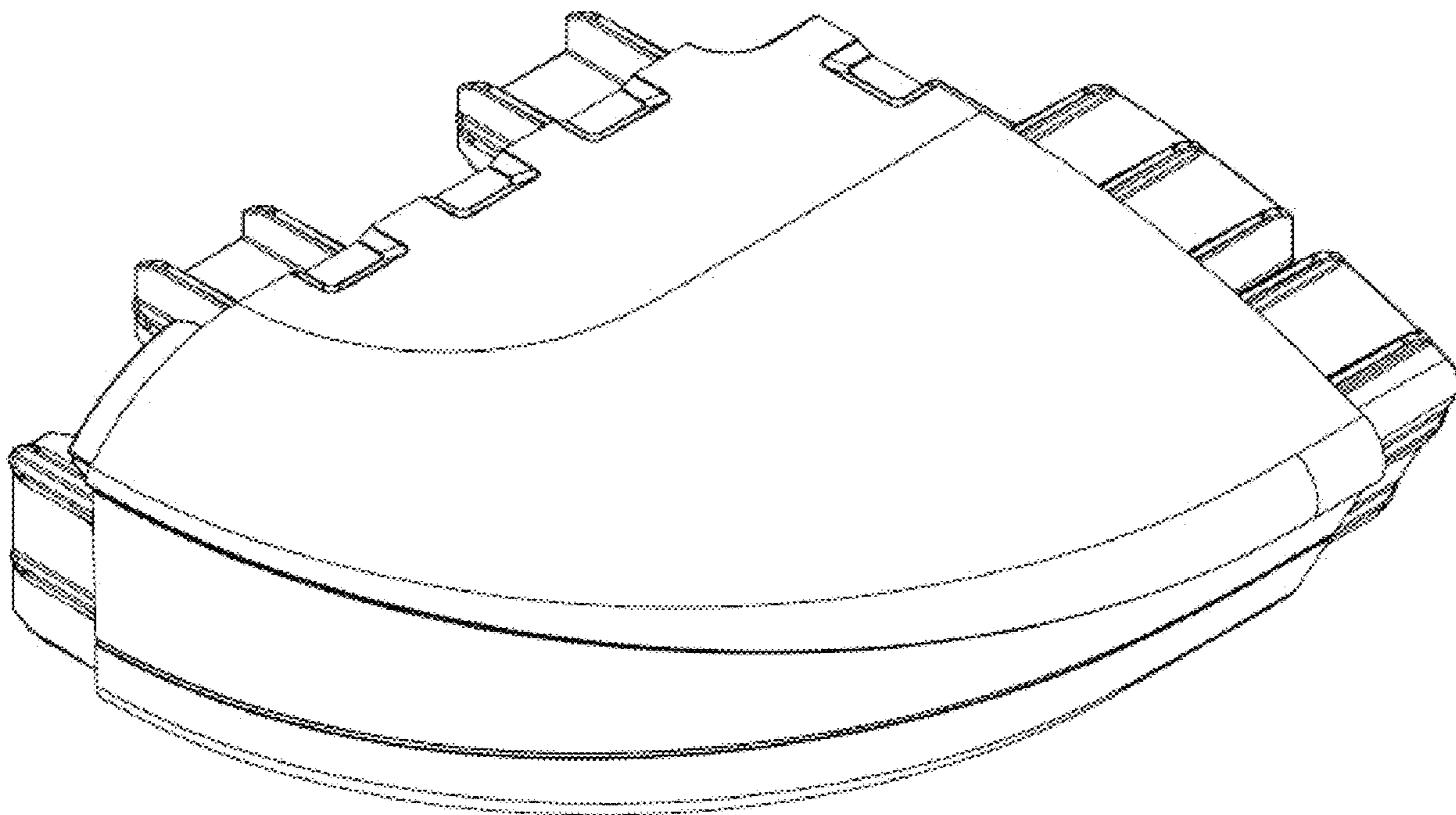
(57) **CLAIM**

The ornamental design for a corner element for a roof rack,
as shown and described.

DESCRIPTION

FIG. 1 is a top, left side perspective view of a corner element
for a roof rack;
FIG. 2 is a front plan view thereof;
FIG. 3 is a top plan view thereof;
FIG. 4 is a bottom plan view thereof;
FIG. 5 is a left side plan view thereof;
FIG. 6 is a right side plan view thereof; and,
FIG. 7 is an isometric view of FIG. 1 thereof.

1 Claim, 7 Drawing Sheets



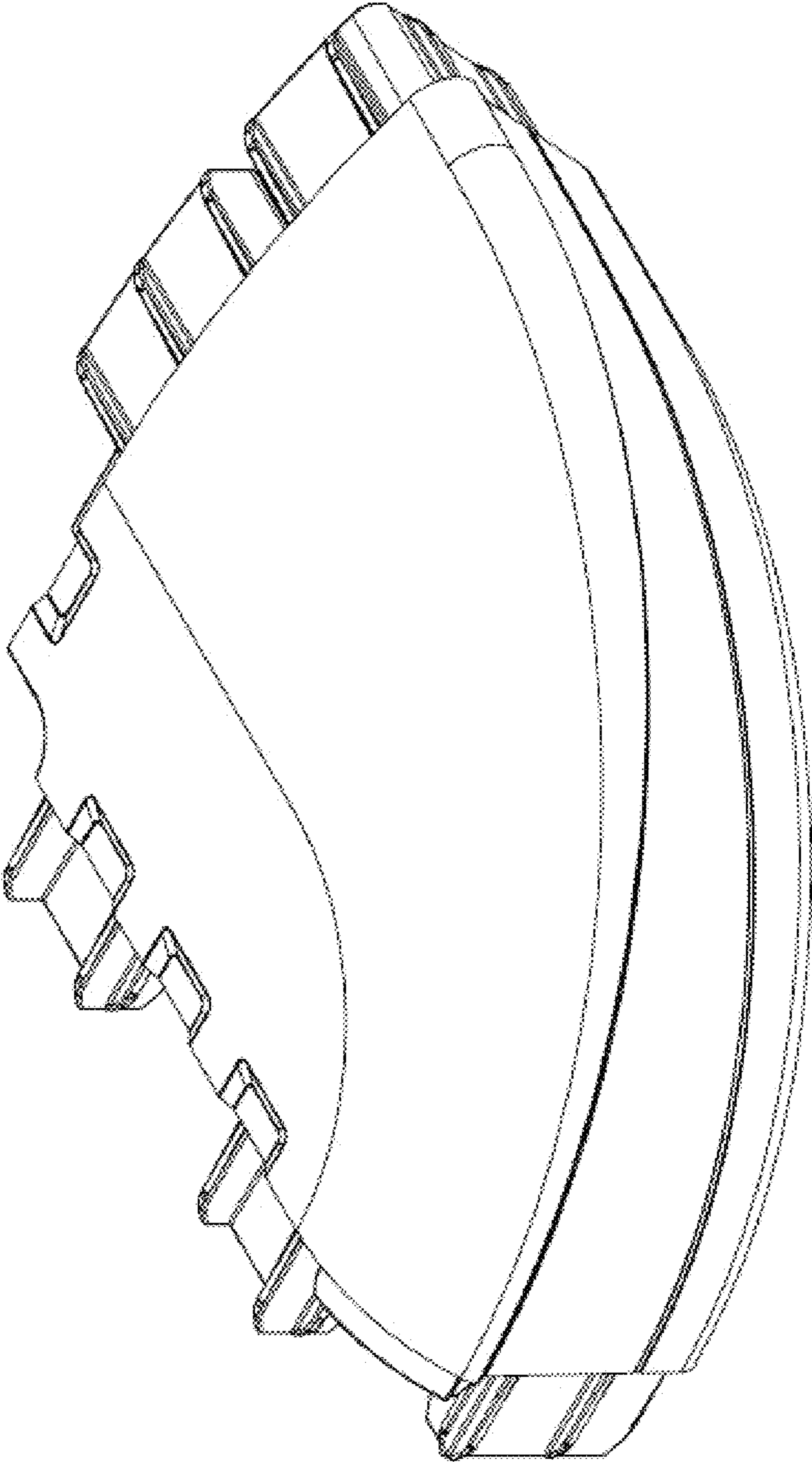


Fig. 1

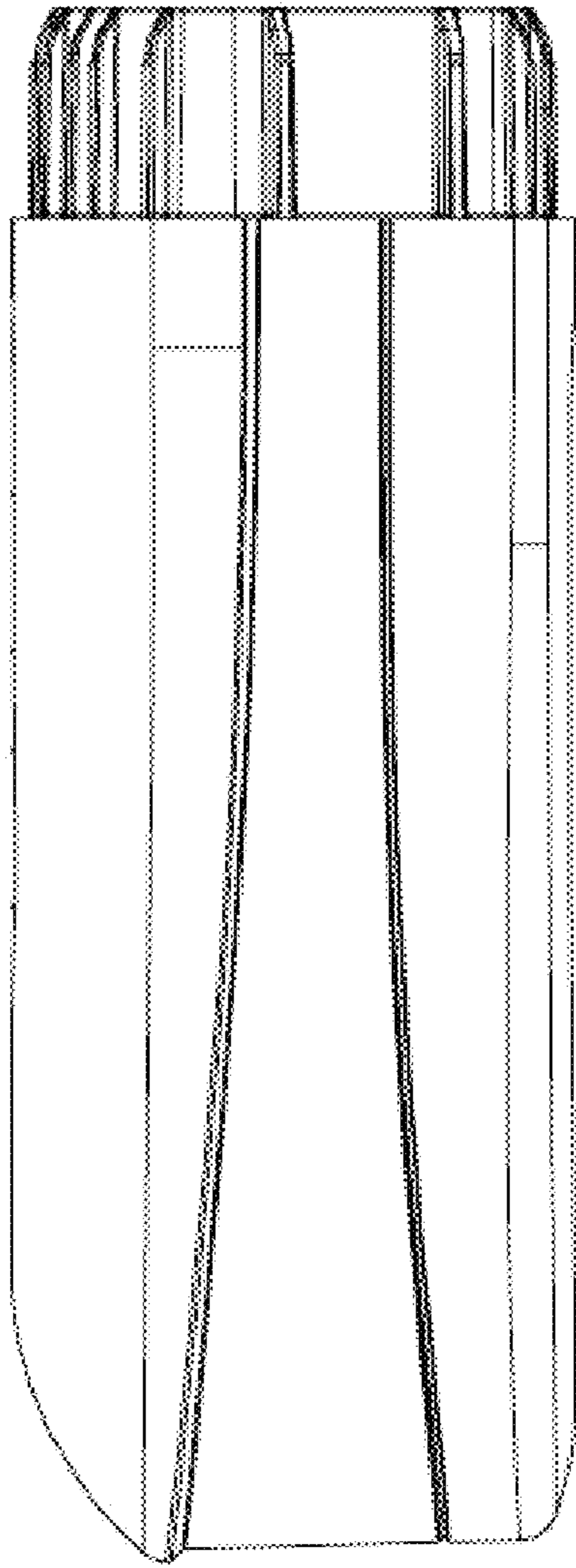


Fig. 2

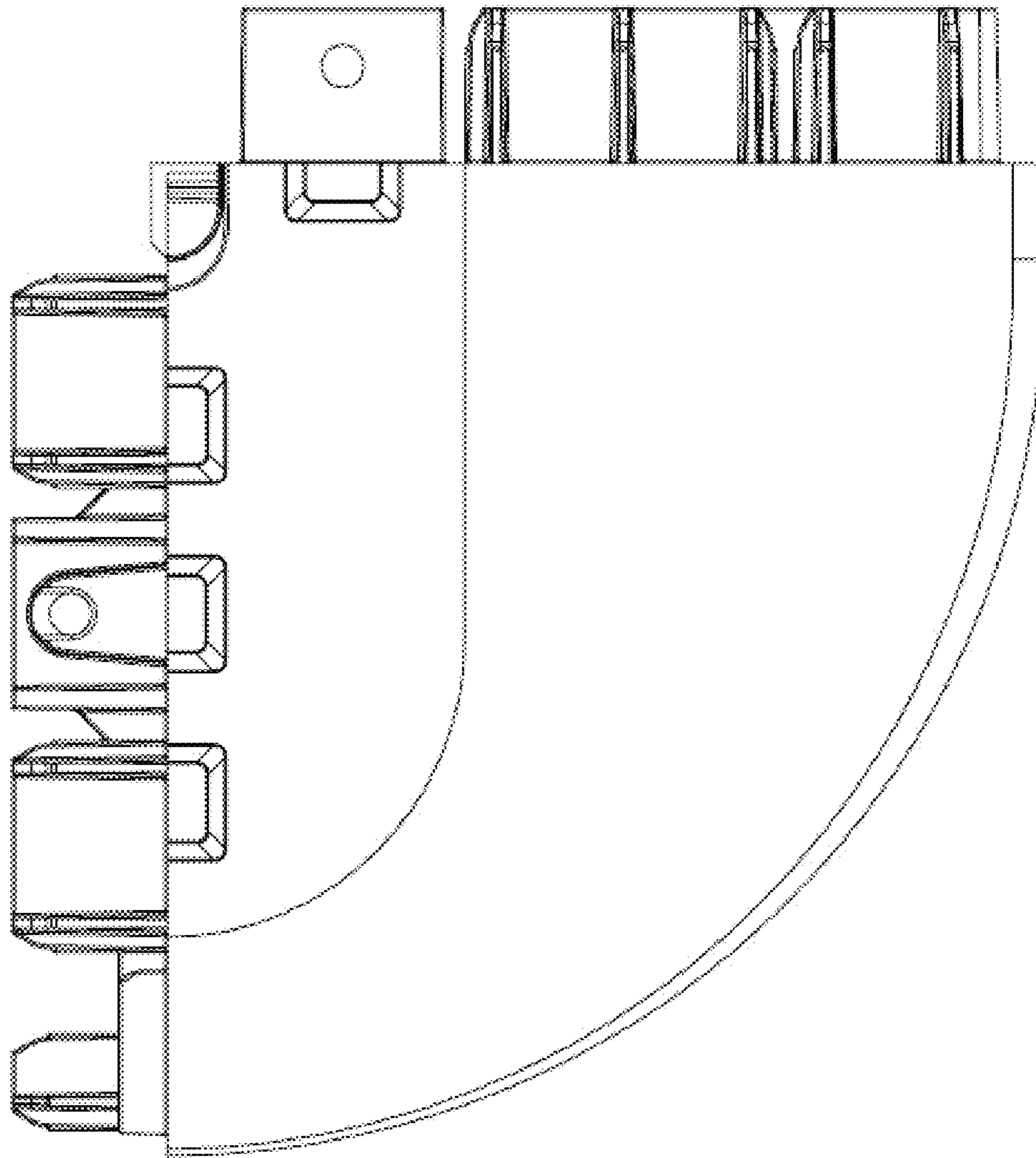


Fig. 3

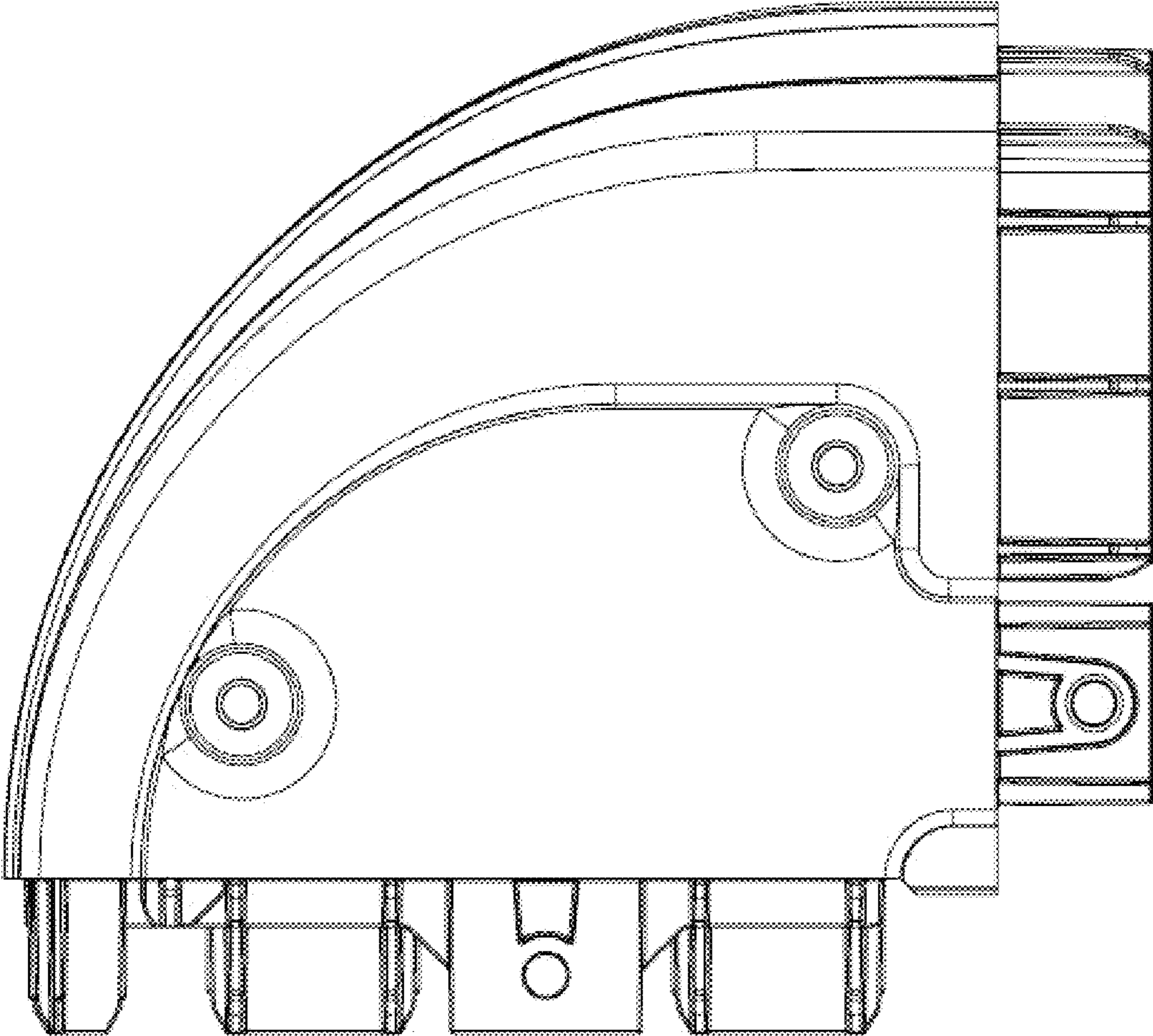


Fig. 4

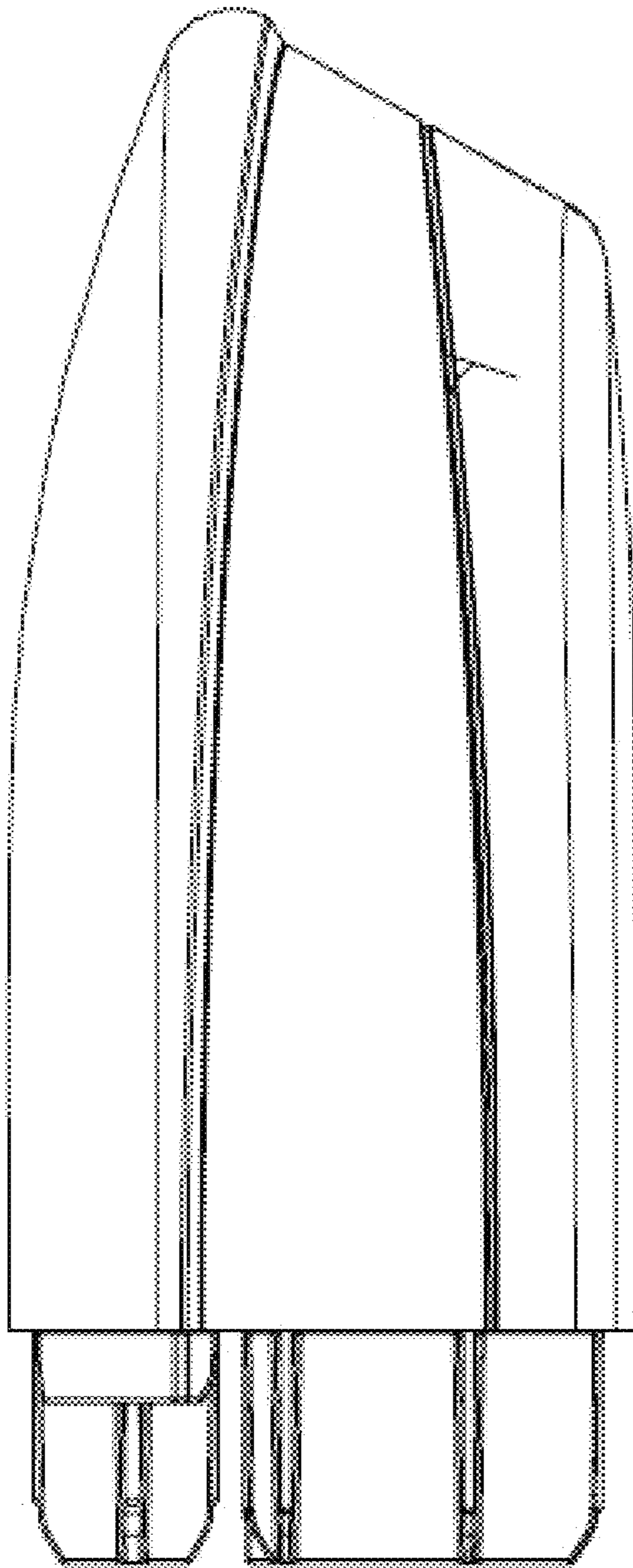


Fig. 5

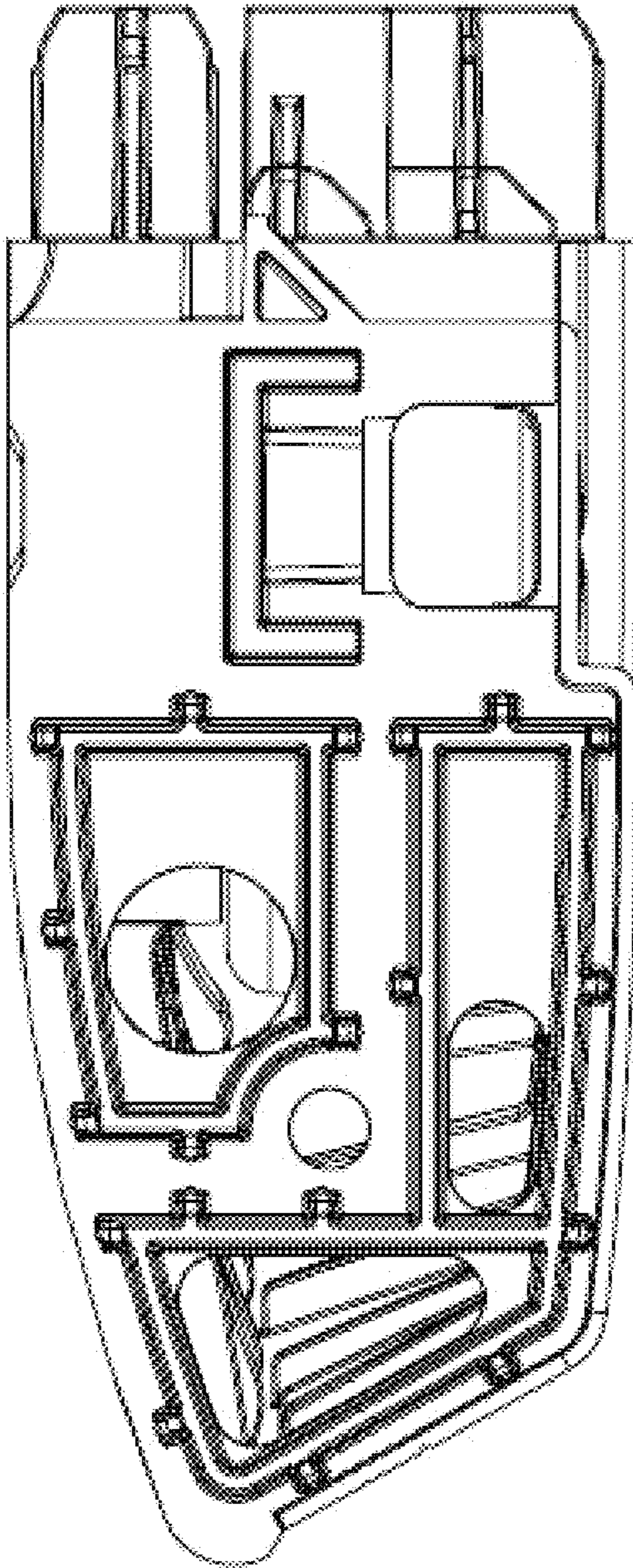


Fig. 6

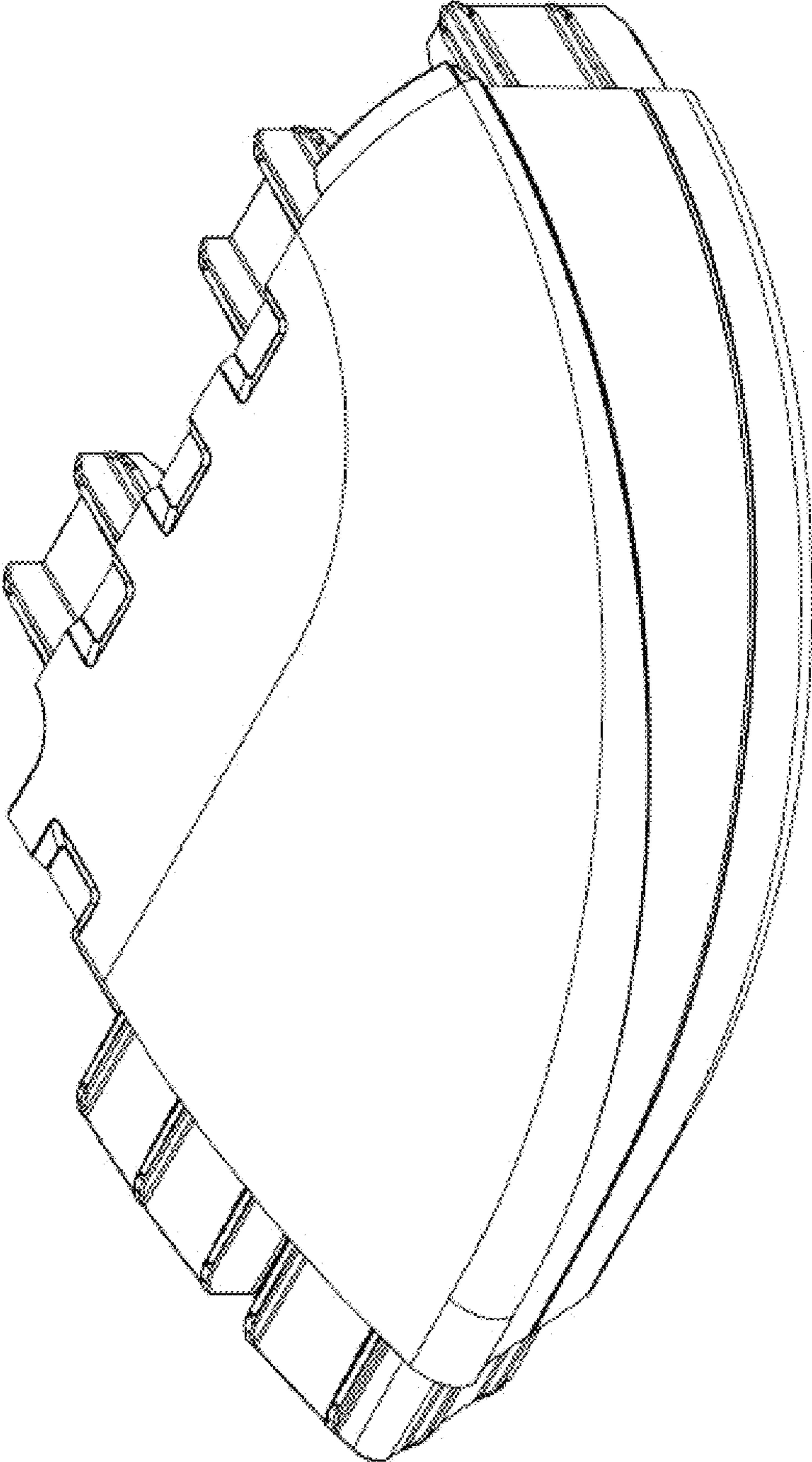


Fig. 7