



US00D908070S

(12) **United States Design Patent**
Wheel

(10) **Patent No.:** **US D908,070 S**

(45) **Date of Patent:** **** Jan. 19, 2021**

(54) **WHEEL**

(71) Applicant: **Jaguar Land Rover Limited**, Coventry (GB)

(72) Inventor: **Andy Wheel**, Coventry (GB)

(73) Assignee: **Jaguar Land Rover Limited**, Coventry (GB)

(**) Term: **15 Years**

(21) Appl. No.: **29/719,571**

(22) Filed: **Jan. 6, 2020**

Related U.S. Application Data

(62) Division of application No. 29/656,453, filed on Jul. 12, 2018, now Pat. No. Des. 877,677.

(30) **Foreign Application Priority Data**

Apr. 30, 2018 (EM) 005253499

(51) **LOC (13) Cl.** **12-16**

(52) **U.S. Cl.**
USPC **D12/211; D21/563**

(58) **Field of Classification Search**

USPC D12/204–213; D21/563
CPC B60B 7/00; B60B 7/02; B60B 7/04; B60B 7/01; B60B 7/06; B60B 3/02; B60B 3/04; B60B 3/06; B60B 3/10; B60B 1/00; B60B 1/08; B60B 1/10; B60B 1/12

See application file for complete search history.

(56) **References Cited**

U.S. PATENT DOCUMENTS

D518,766 S *	4/2006	Burns	D12/211
D614,111 S *	4/2010	Tant	D12/211
D706,700 S *	6/2014	Platto	D12/211
D723,994 S *	3/2015	Chung	D12/211
D736,134 S *	8/2015	Platto	D12/211
D741,775 S *	10/2015	Zhao	D12/211
D758,945 S *	6/2016	Zhao	D12/211
D775,047 S *	12/2016	Wheel	D12/211
D782,950 S *	4/2017	Hatton	D12/209
D803,136 S *	11/2017	Platto	D12/211
D805,993 S *	12/2017	Sempek	D12/211
D836,525 S *	12/2018	Sempek	D12/211
D837,713 S *	1/2019	Sempek	D12/209
D852,706 S *	7/2019	Tran	D12/211
D859,258 S *	9/2019	Hale, Jr.	D12/209
D888,637 S *	6/2020	Zhao	D12/209

* cited by examiner

Primary Examiner — Stacia A Cadmus

(74) *Attorney, Agent, or Firm* — Wood Herron & Evans LLP

(57) **CLAIM**

The ornamental design for a wheel, as shown and described.

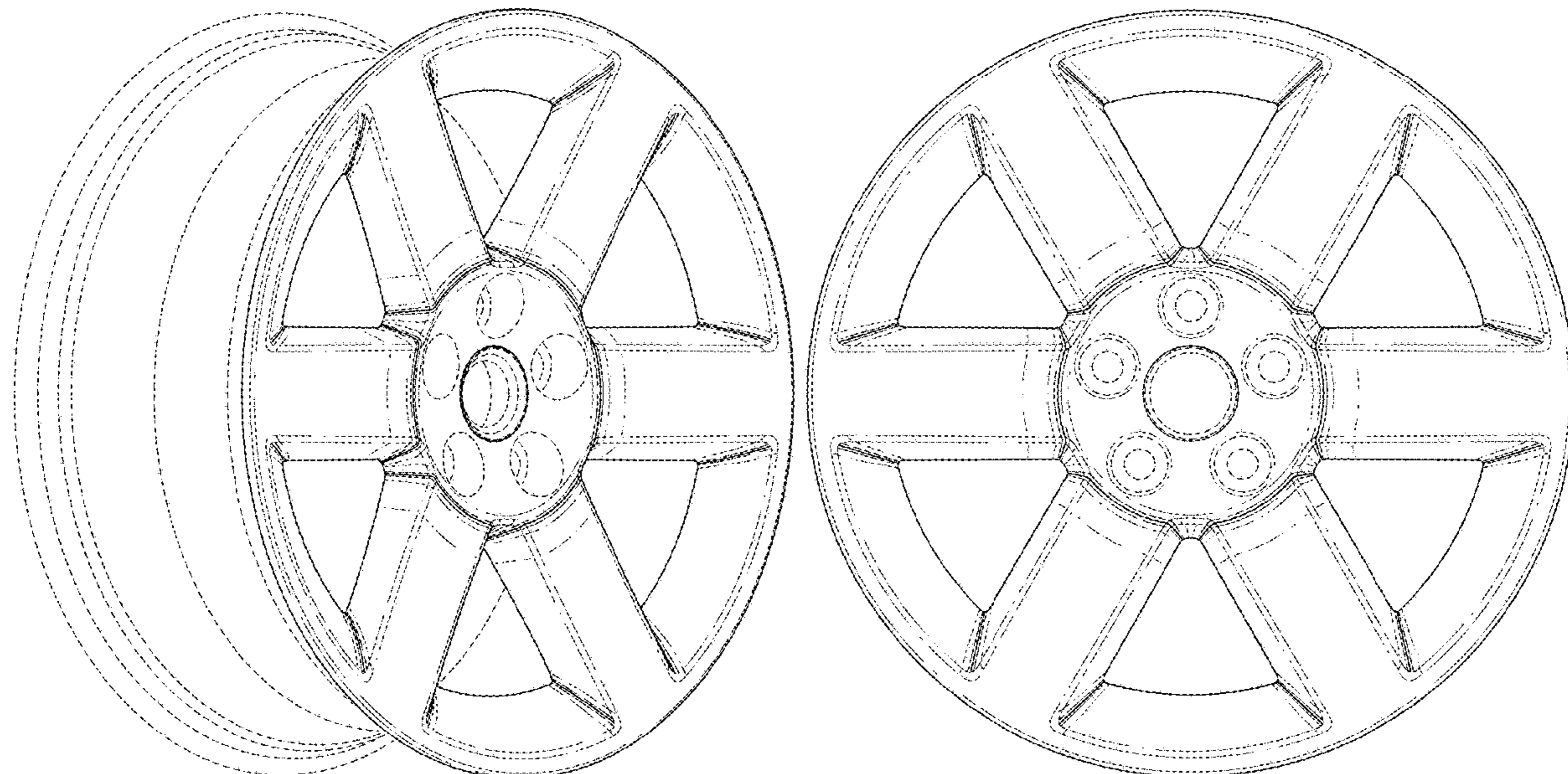
DESCRIPTION

FIG. 1 is a front left perspective view of a wheel according to the present invention.

FIG. 2 is a front view of the wheel shown in FIG. 1; and, FIG. 3 is a left side view thereof, the right side view being a mirror image thereof.

The broken lines form no part of the claimed design, but are instead included to show environmental structure.

1 Claim, 3 Drawing Sheets



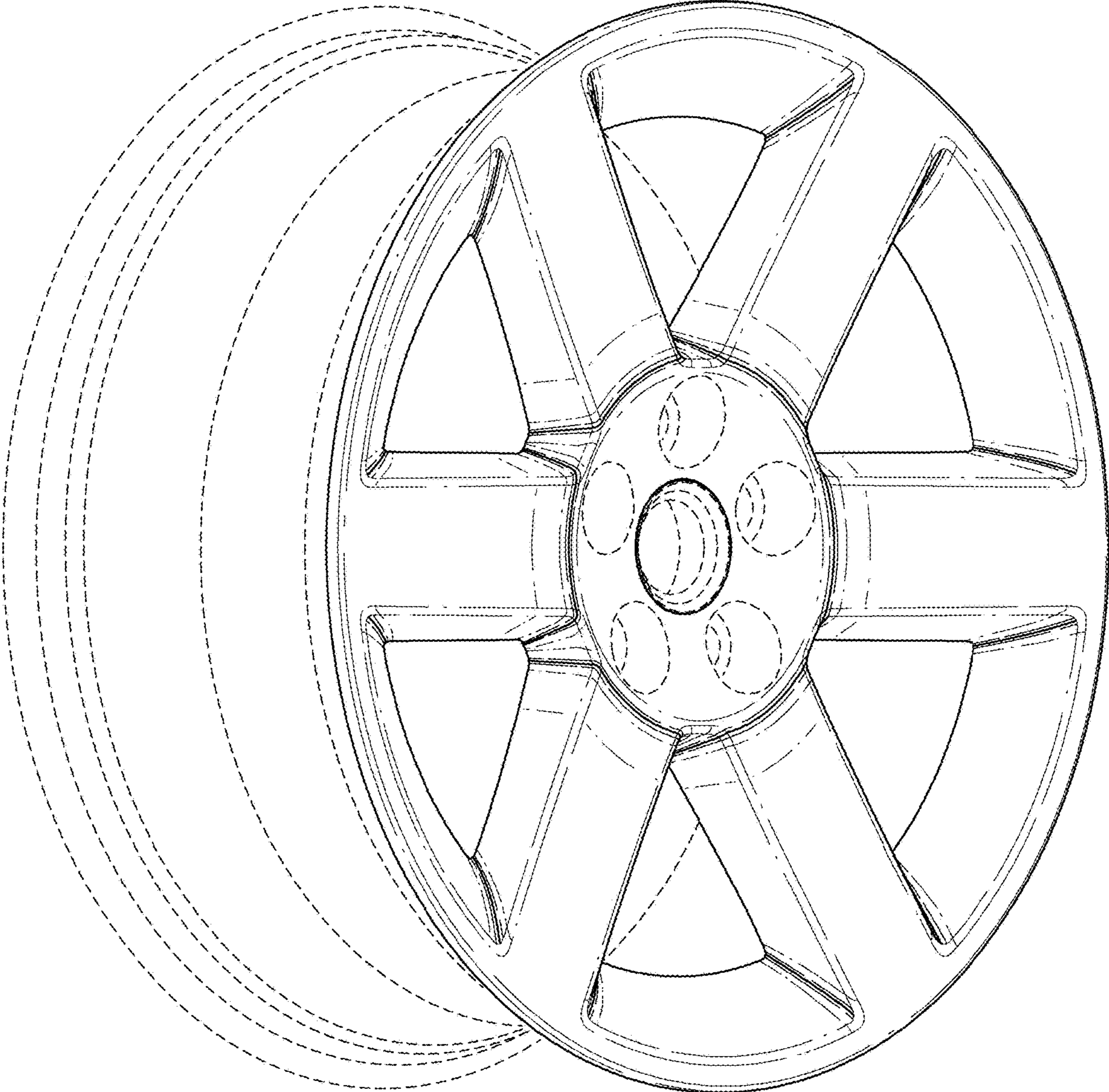


FIG. 1

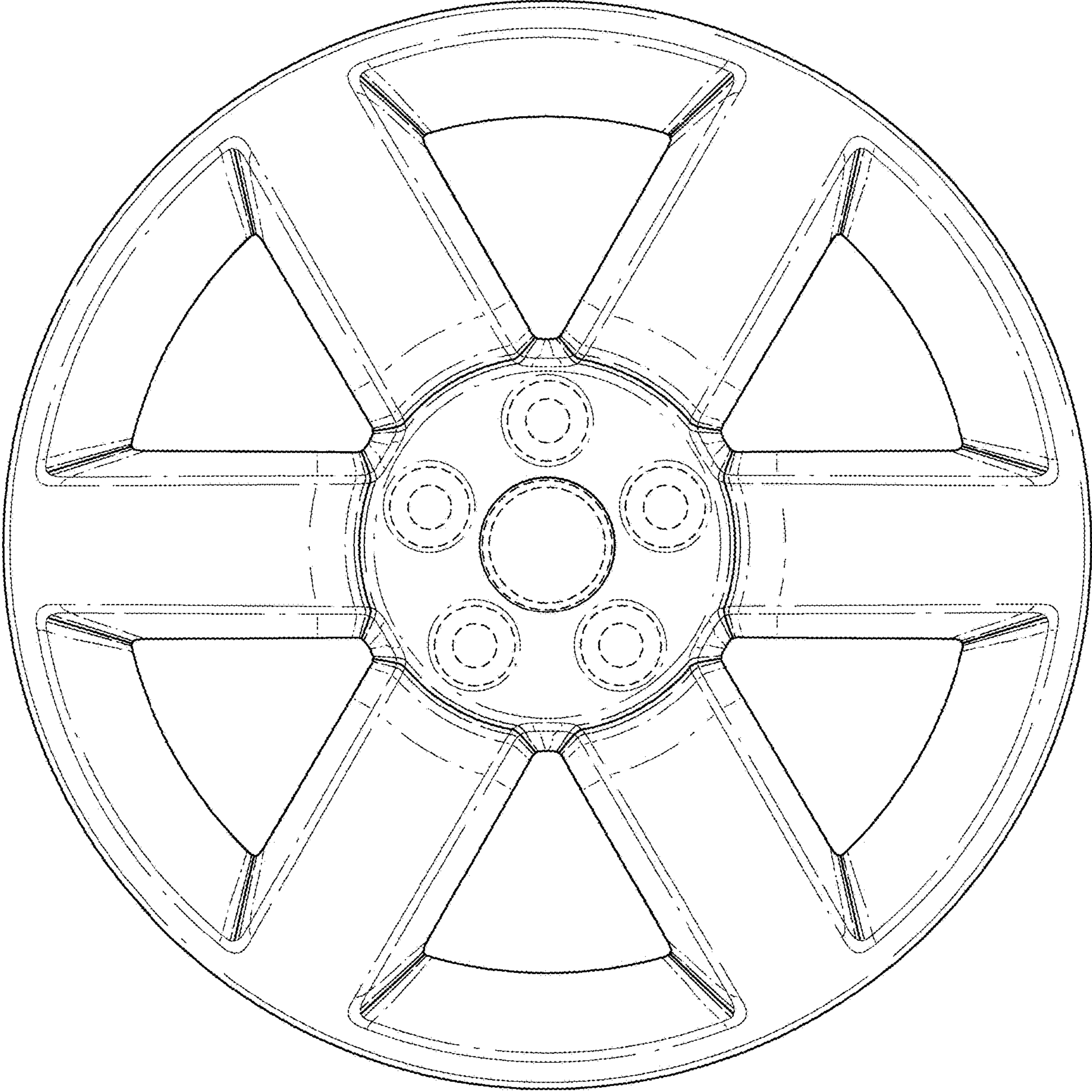


FIG. 2

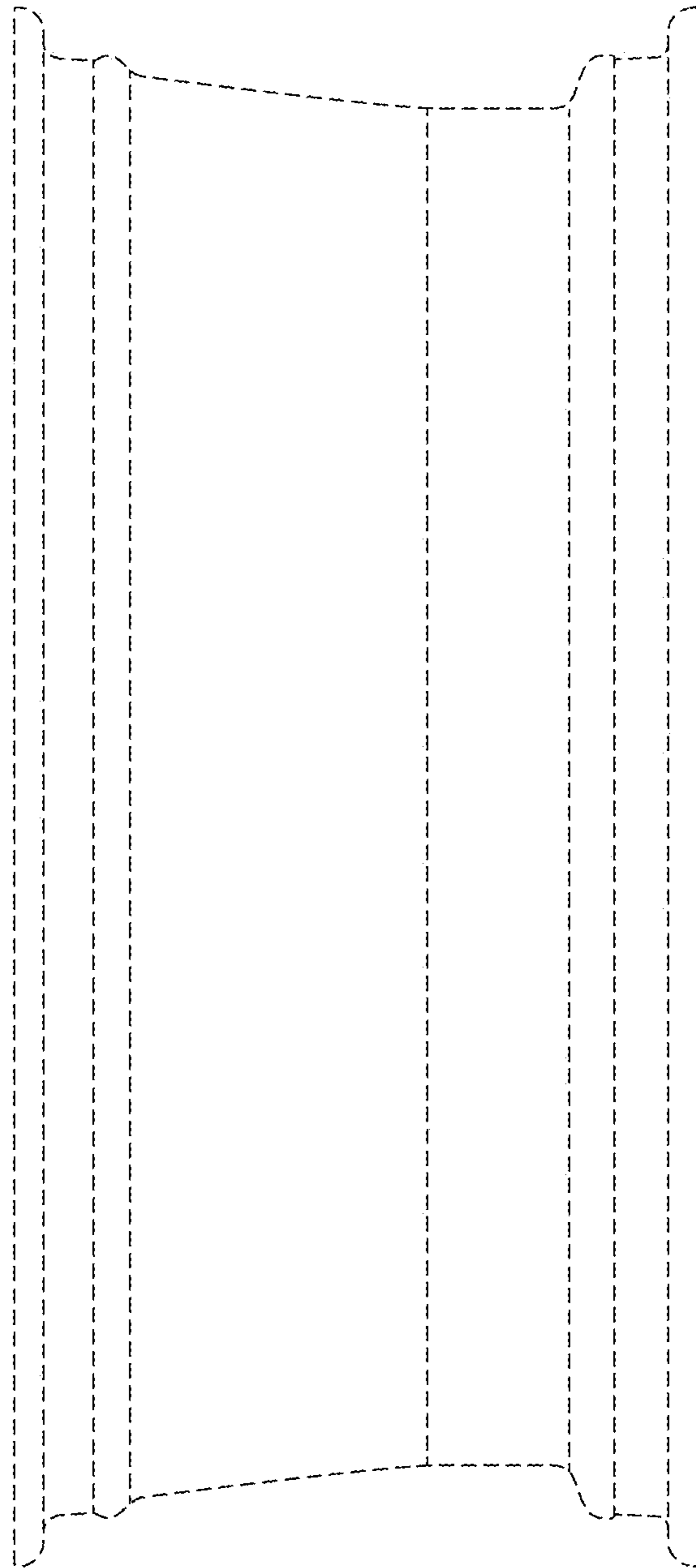


FIG. 3