



US00D908069S

(12) **United States Design Patent**
Lee

(10) **Patent No.:** **US D908,069 S**

(45) **Date of Patent:** **** Jan. 19, 2021**

(54) **AUTOMOTIVE WHEEL**

(71) Applicant: **MKW Alloy, Inc.**, City of Industry, CA (US)

(72) Inventor: **Kevin Lee**, Yorba Linda, CA (US)

(73) Assignee: **MKW ALLOY, INC.**, City of Industry, CA (US)

(**) Term: **15 Years**

(21) Appl. No.: **29/712,169**

(22) Filed: **Nov. 6, 2019**

(51) **LOC (13) Cl.** **12-16**

(52) **U.S. Cl.**
USPC **D12/211**

(58) **Field of Classification Search**

USPC D12/204–213; D21/563
CPC B60B 7/00; B60B 7/02; B60B 7/04; B60B 7/01; B60B 7/06; B60B 3/02; B60B 3/04; B60B 3/06; B60B 3/10; B60B 1/00; B60B 1/08; B60B 1/10; B60B 1/12
See application file for complete search history.

(56) **References Cited**

U.S. PATENT DOCUMENTS

D337,563 S *	7/1993	Boselli	D12/209
D484,446 S *	12/2003	Pfeiffer	D12/211
D500,003 S *	12/2004	Guevara	D12/211
D507,775 S *	7/2005	Pfeiffer	D12/211
D527,326 S *	8/2006	Pfeiffer	D12/209
D538,729 S *	3/2007	Pfeiffer	D12/209
D573,082 S *	7/2008	Young	D12/211
D582,828 S *	12/2008	Young	D12/211
D671,062 S *	11/2012	Dilber	D12/211

D704,117 S *	5/2014	Chung	D12/209
D714,708 S *	10/2014	Chung	D12/211
D721,317 S *	1/2015	Kern	D12/211
D727,825 S *	4/2015	Chung	D12/211
D751,017 S *	3/2016	Chung	D12/209
D768,045 S *	10/2016	Curic	D12/209
D786,768 S *	5/2017	Youssef	D12/211
D803,129 S *	11/2017	McMath	D12/209
D806,630 S *	1/2018	McMath	D12/211
D808,325 S *	1/2018	Chung	D12/211
D817,840 S *	5/2018	Chung	D12/209
D823,214 S *	7/2018	Chung	D12/209
D824,834 S *	8/2018	Licklitter	D12/211
D828,271 S *	9/2018	Han	D12/211
D852,706 S *	7/2019	Tran	D12/211
D859,258 S *	9/2019	Hale, Jr.	D12/209
D860,908 S *	9/2019	Han	D12/209
D878,992 S *	3/2020	Yeh	D12/209
D879,006 S *	3/2020	Metros	D12/211
D889,358 S *	7/2020	Williams	D12/209
D892,013 S *	8/2020	Han	D12/209
D893,378 S *	8/2020	DiGuglielmo	D12/209

* cited by examiner

Primary Examiner — Stacia A Cadmus

(74) *Attorney, Agent, or Firm* — Ahn IP Law

(57) **CLAIM**

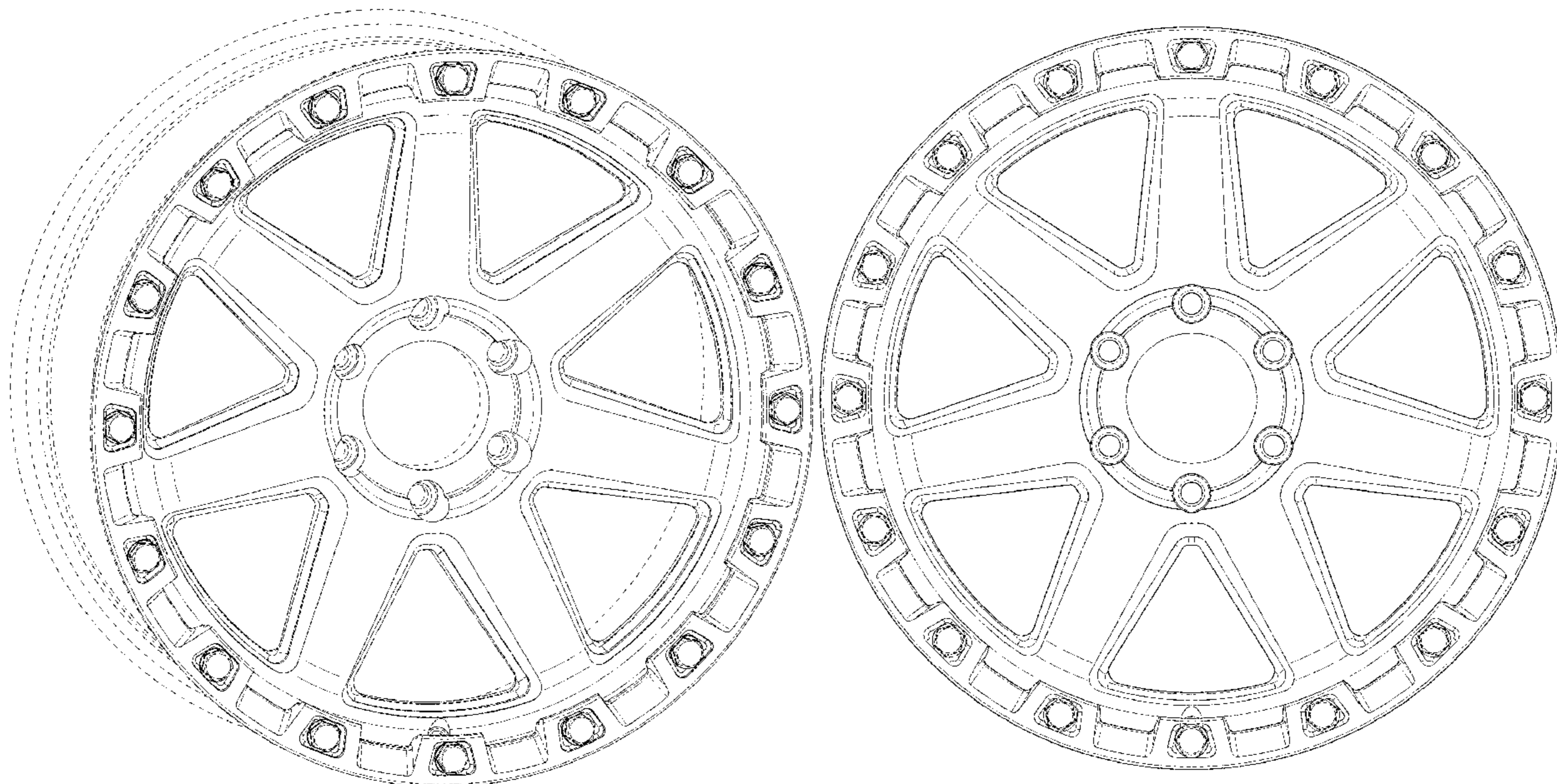
The ornamental design for an automotive wheel, as shown and described.

DESCRIPTION

FIG. 1 is a perspective view of an automotive wheel; and, FIG. 2 is a front view of the automotive wheel.

The broken lines shown in the figures are included for the purpose of illustrating the environment and form no part of the claimed design.

1 Claim, 2 Drawing Sheets



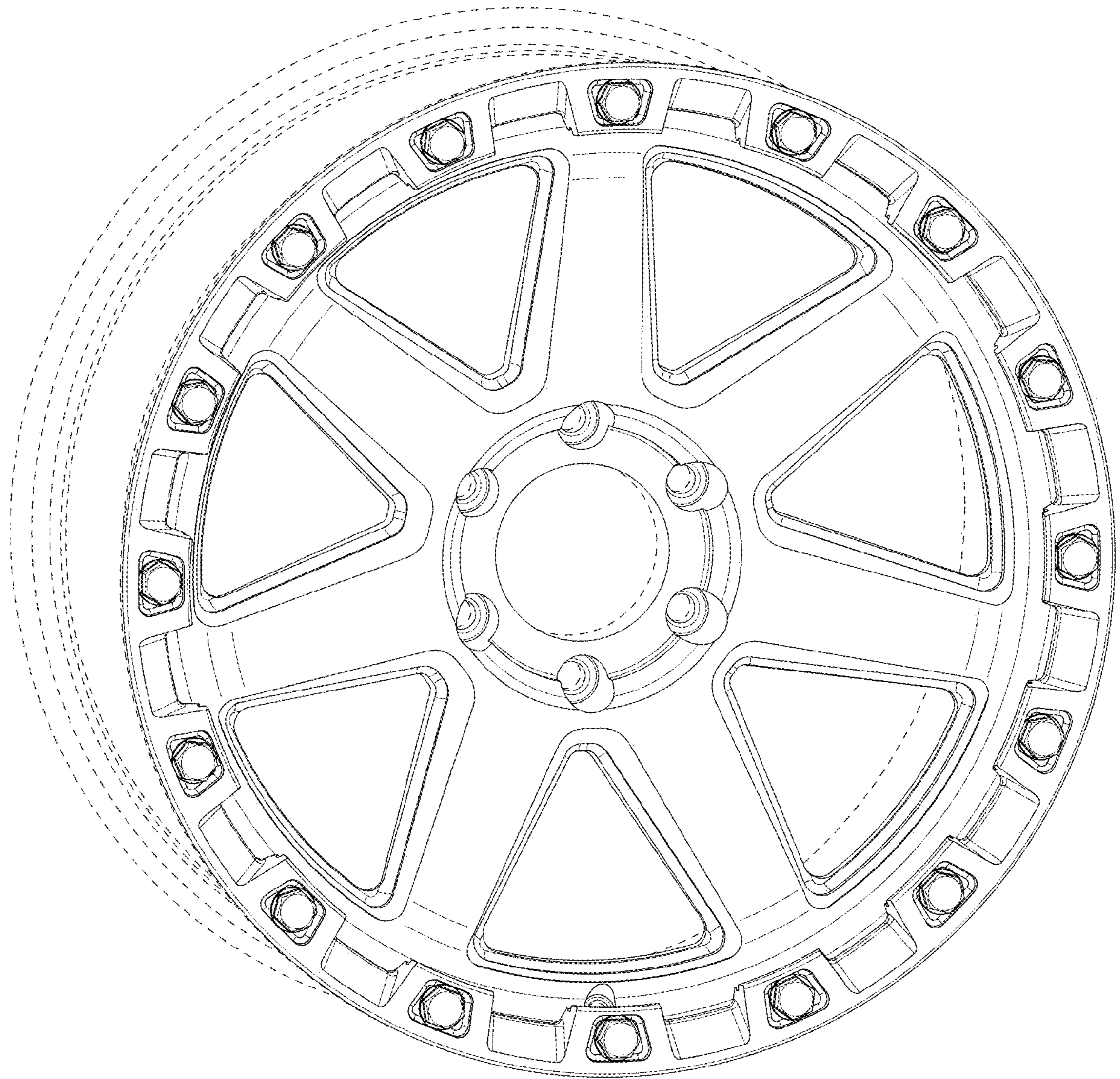


FIG. 1

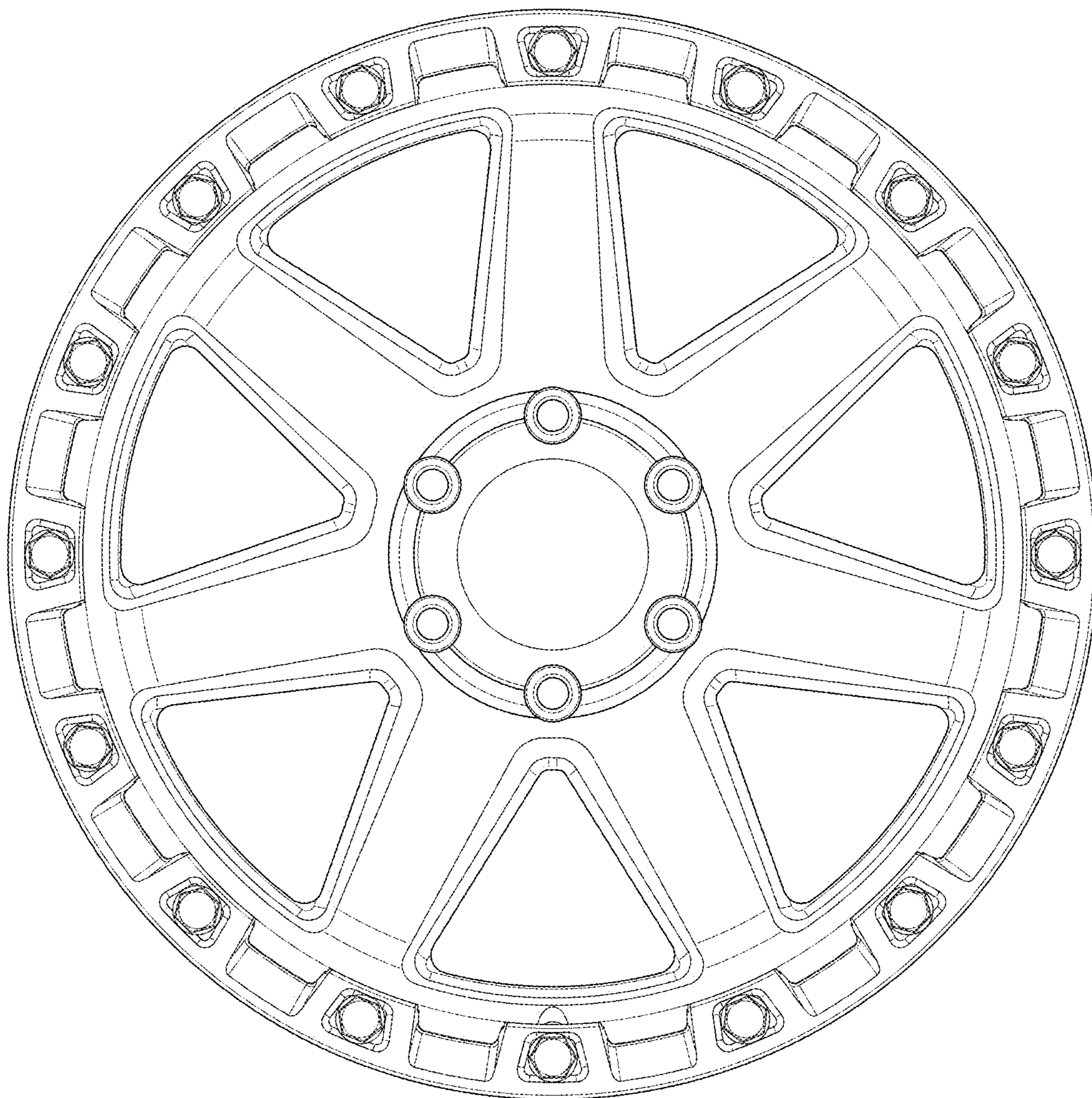


FIG. 2