

US00D908064S

(12) **United States Design Patent**
Mukti

(10) **Patent No.:** **US D908,064 S**

(45) **Date of Patent:** **** Jan. 19, 2021**

(54) **VEHICLE WHEEL**

(71) Applicant: **Quarsa, LLC**, Chino, CA (US)

(72) Inventor: **Ali Mukti**, Surabaya (ID)

(73) Assignee: **QUARSA, LLC**, Chino, CA (US)

(**) Term: **15 Years**

(21) Appl. No.: **29/711,219**

(22) Filed: **Oct. 29, 2019**

(51) **LOC (13) Cl.** **12-16**

(52) **U.S. Cl.**
USPC **D12/209**

(58) **Field of Classification Search**
USPC D12/204–213; D21/563
CPC B60B 7/00; B60B 7/02; B60B 7/04; B60B
7/01; B60B 7/06; B60B 3/02; B60B 3/04;
B60B 3/06; B60B 3/10; B60B 1/00;
B60B 1/08; B60B 1/10; B60B 1/12
See application file for complete search history.

(56) **References Cited**

U.S. PATENT DOCUMENTS

D339,561 S *	9/1993	Maiworm et al.	D12/211
D344,924 S *	3/1994	Braungart et al.	D12/211
D595,202 S *	6/2009	Spoerle	D12/211
D617,253 S *	6/2010	Zhao	D12/211
D634,692 S *	3/2011	Stefanov	D12/211
D638,765 S *	5/2011	Yoon	D12/211

D657,297 S *	4/2012	Johnson	D12/211
D684,915 S *	6/2013	Zhao	D12/211
D695,671 S *	12/2013	Chung	D12/211
D722,547 S *	2/2015	Zhao	D12/211
D723,992 S *	3/2015	Zhao	D12/209
D727,233 S *	4/2015	Kong	D12/209
D744,930 S *	12/2015	Chung	D12/211
D763,766 S *	8/2016	Alfonso	D12/211
D784,235 S *	4/2017	Kim	D12/211
D802,511 S *	11/2017	Gallert	D12/211
D815,578 S *	4/2018	Zhao	D12/211
D828,802 S *	9/2018	McMath	D12/211
D837,708 S *	1/2019	Chung	D12/209
D845,864 S *	4/2019	Han	D12/211
D860,912 S *	9/2019	Luo	D12/211
D896,729 S *	9/2020	Chung	D12/211

* cited by examiner

Primary Examiner — Stacia A Cadmus

(74) *Attorney, Agent, or Firm* — Snell & Wilmer LLP

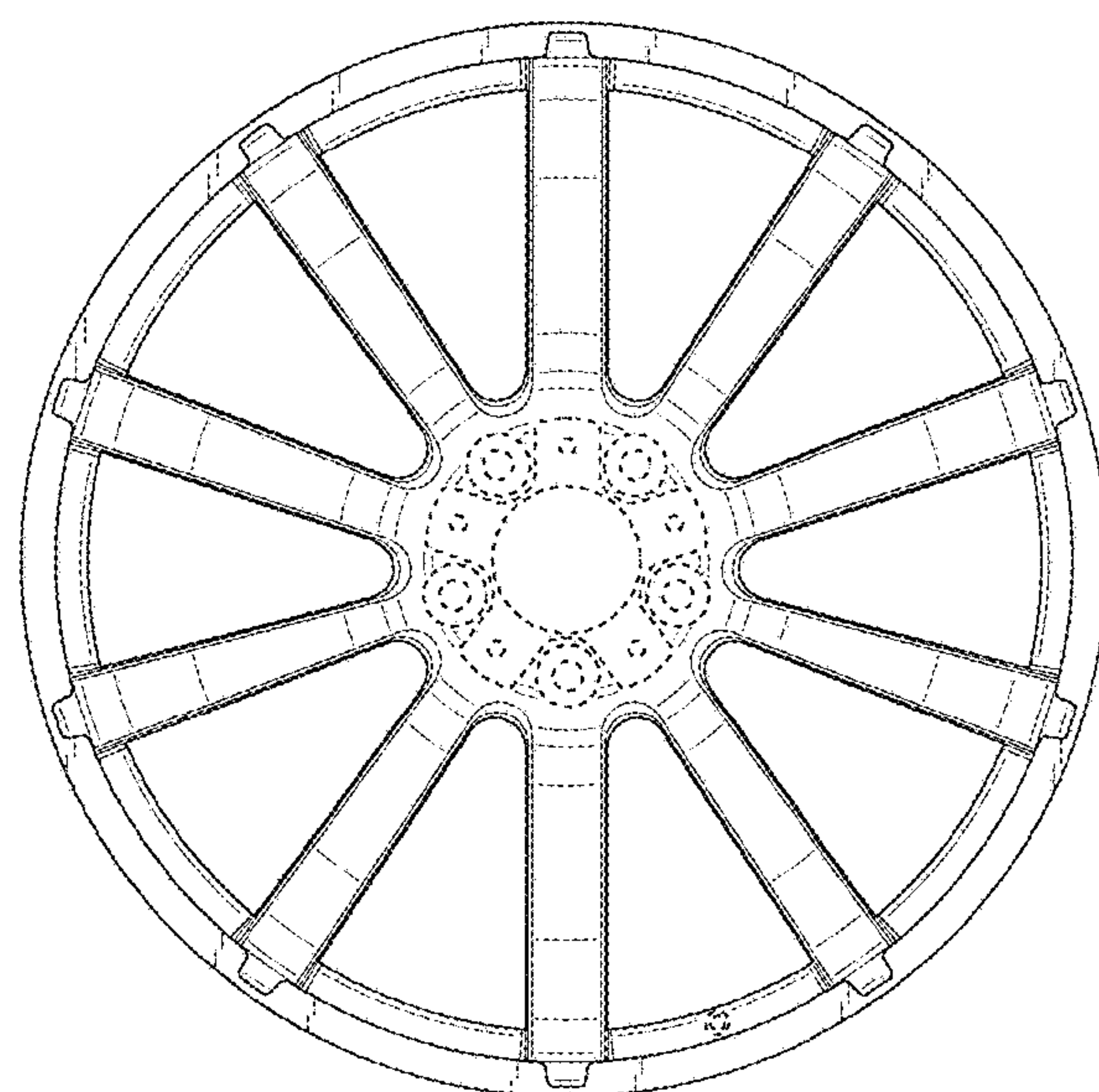
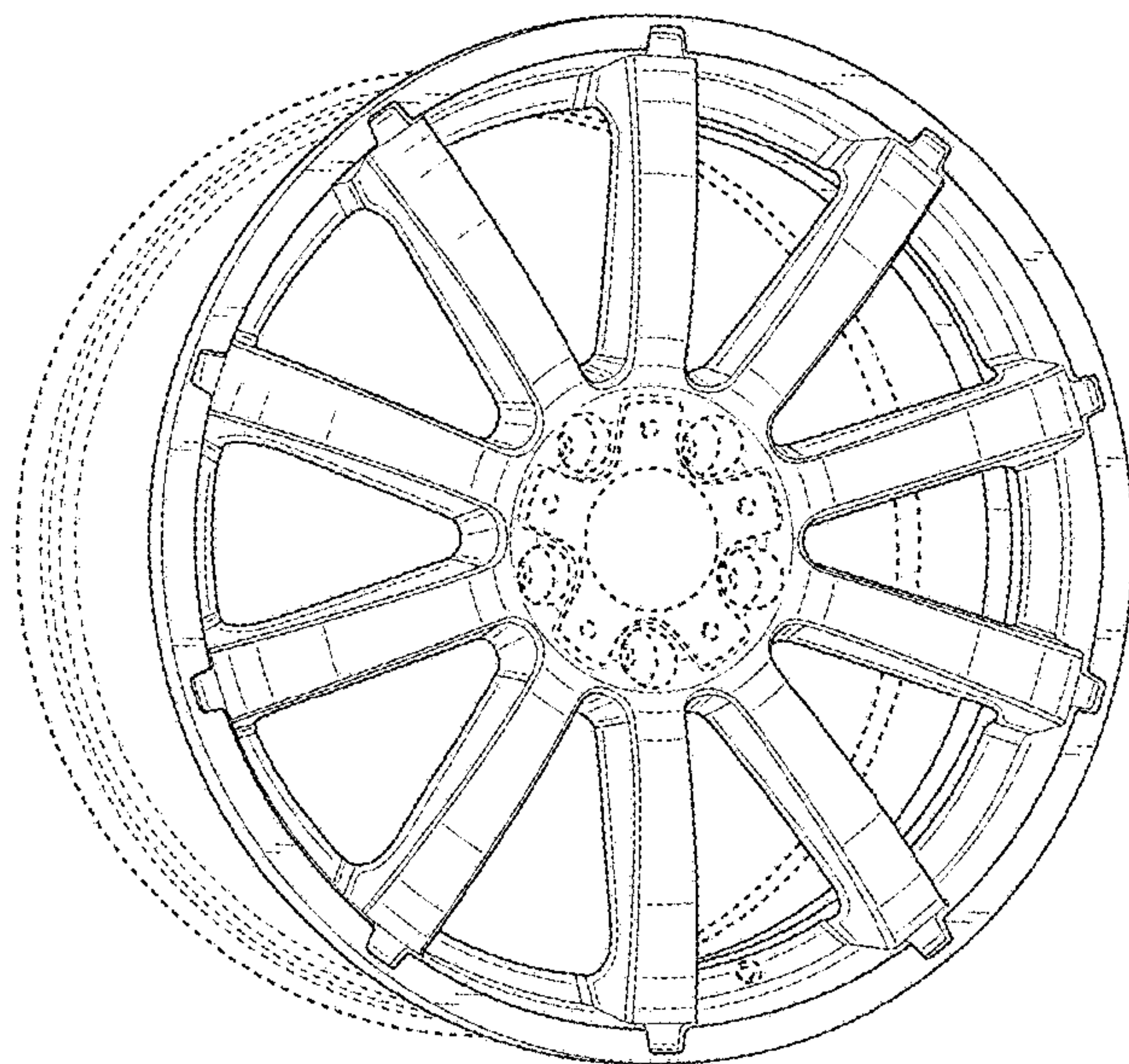
(57) **CLAIM**

I claim the ornamental design for a vehicle wheel, as shown and described.

DESCRIPTION

FIG. 1 is a front perspective view of the vehicle wheel showing my new design; and, FIG. 2 is a front view of the vehicle wheel of FIG. 1. In the drawings, the portions of the wheel shown in broken lines form no part of the claimed design.

1 Claim, 2 Drawing Sheets



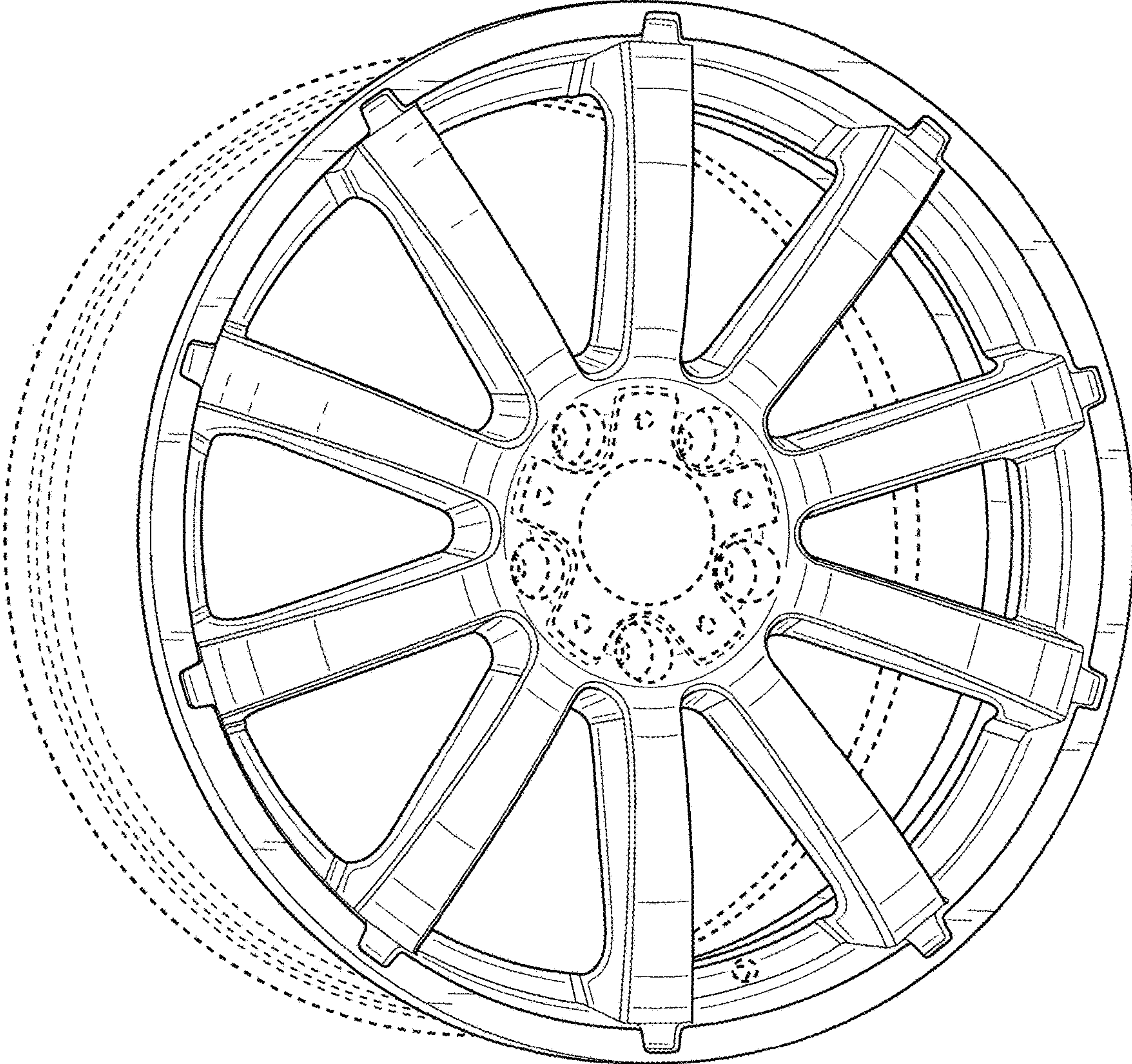


FIG. 1

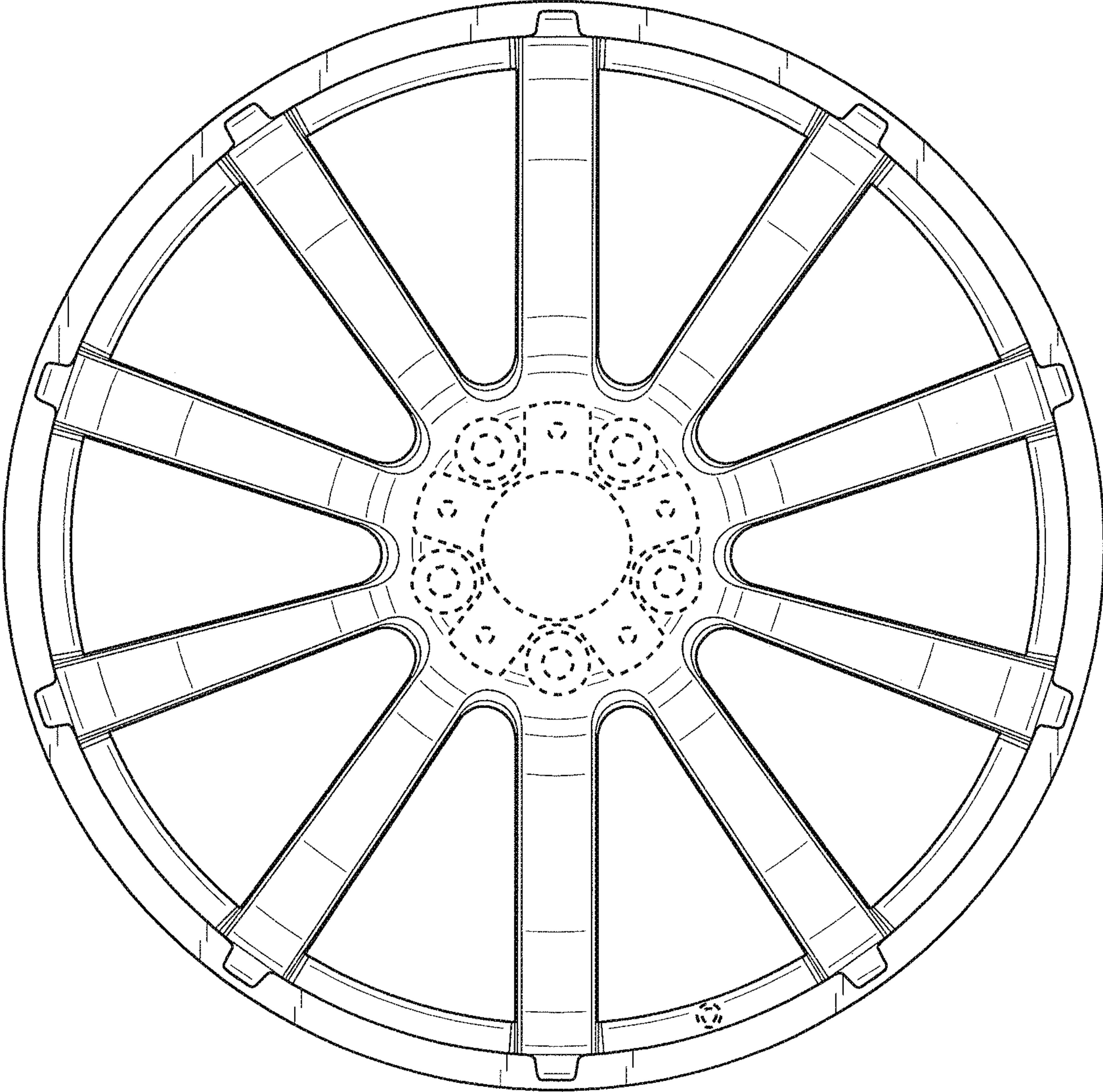


FIG. 2