

US00D908060S

(12) **United States Design Patent**
Mukti

(10) **Patent No.:** **US D908,060 S**

(45) **Date of Patent:** **** Jan. 19, 2021**

(54) **VEHICLE WHEEL**

(71) Applicant: **Quarsa, LLC**, Chino, CA (US)

(72) Inventor: **Ali Mukti**, Surabaya (ID)

(73) Assignee: **QUARSA, LLC**, Chino, CA (US)

(**) Term: **15 Years**

(21) Appl. No.: **29/687,879**

(22) Filed: **Apr. 16, 2019**

(51) **LOC (13) Cl.** **12-16**

(52) **U.S. Cl.**

USPC **D12/209**

(58) **Field of Classification Search**

USPC D12/204–213; D21/563

CPC B60B 7/00; B60B 7/02; B60B 7/04; B60B
7/01; B60B 3/02; B60B 3/04; B60B 3/06;
B60B 3/10; B60B 1/00; B60B 1/08;
B60B 1/10; B60B 1/12

See application file for complete search history.

(56) **References Cited**

U.S. PATENT DOCUMENTS

D539,204 S *	3/2007	Pollmann	D12/209
D567,735 S *	4/2008	Young	D12/209
D587,181 S *	2/2009	Musser	D12/209
D626,052 S *	10/2010	Majdandzic	D12/209
D675,143 S *	1/2013	Gebert	D12/209
D739,326 S *	9/2015	Juergens	D12/209

D741,240 S *	10/2015	Melabiotis	D12/209
D751,482 S *	3/2016	Caswell	D12/209
D764,367 S *	8/2016	Gallert	D12/209
D766,153 S *	9/2016	Wheel	D12/209
D775,574 S *	1/2017	Maher	D12/209
D780,654 S *	3/2017	Gallert	D12/204
D827,540 S *	9/2018	Hilton	D12/209
D836,055 S *	12/2018	Buck	D12/209
D867,956 S *	11/2019	Schmolz	D12/209
D879,004 S *	3/2020	Egan	D12/209
D880,390 S *	4/2020	Hahn	D12/209
D887,935 S *	6/2020	Yeh	D12/209
D890,672 S *	7/2020	Valencia Pollex	D12/209
D895,507 S *	9/2020	Wang	D12/209
D899,336 S *	10/2020	Okaji	D12/209

* cited by examiner

Primary Examiner — Stacia A Cadmus

(74) *Attorney, Agent, or Firm* — Snell & Wilmer LLP

(57) **CLAIM**

I claim the ornamental design for a vehicle wheel, as shown and described.

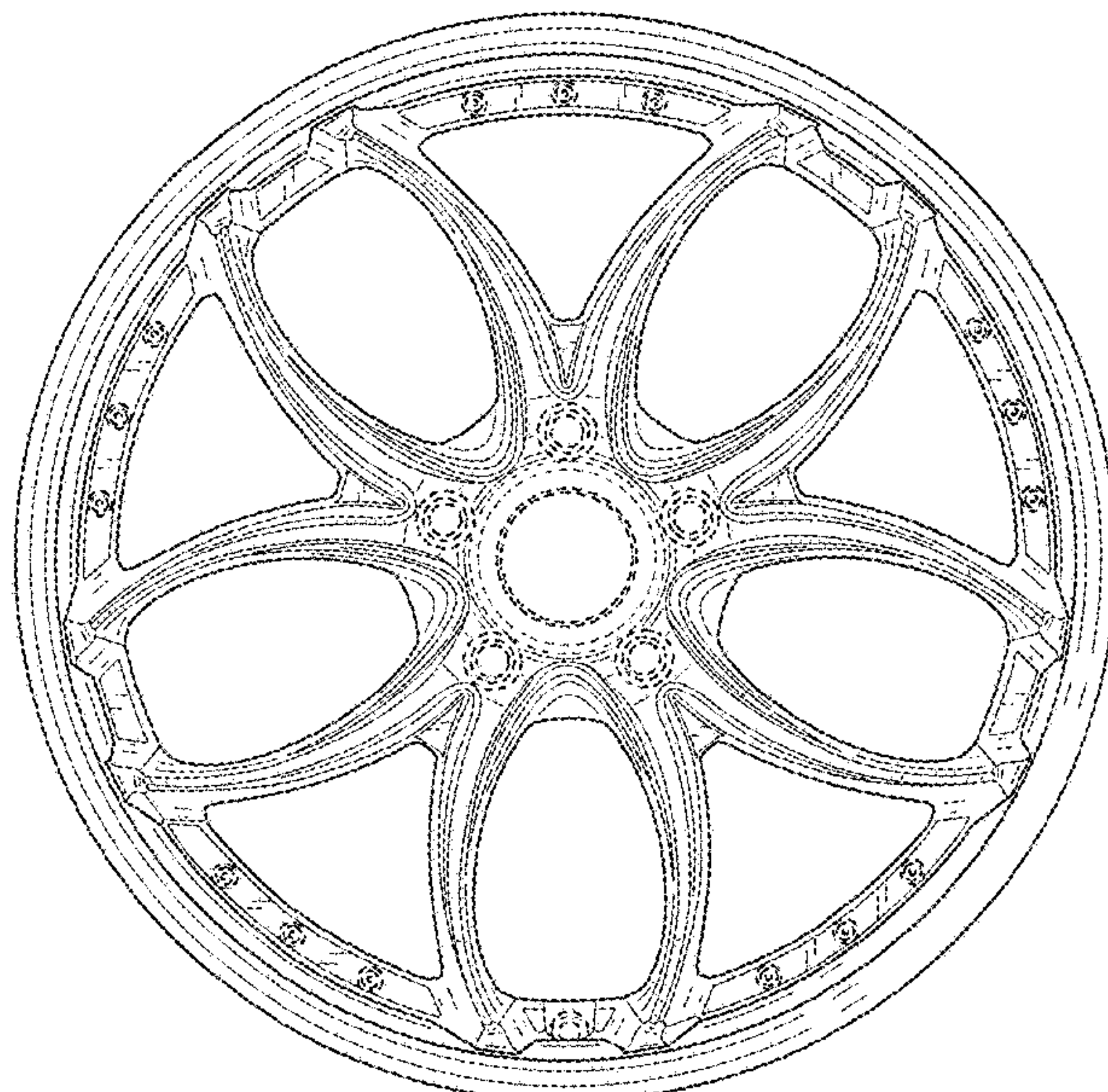
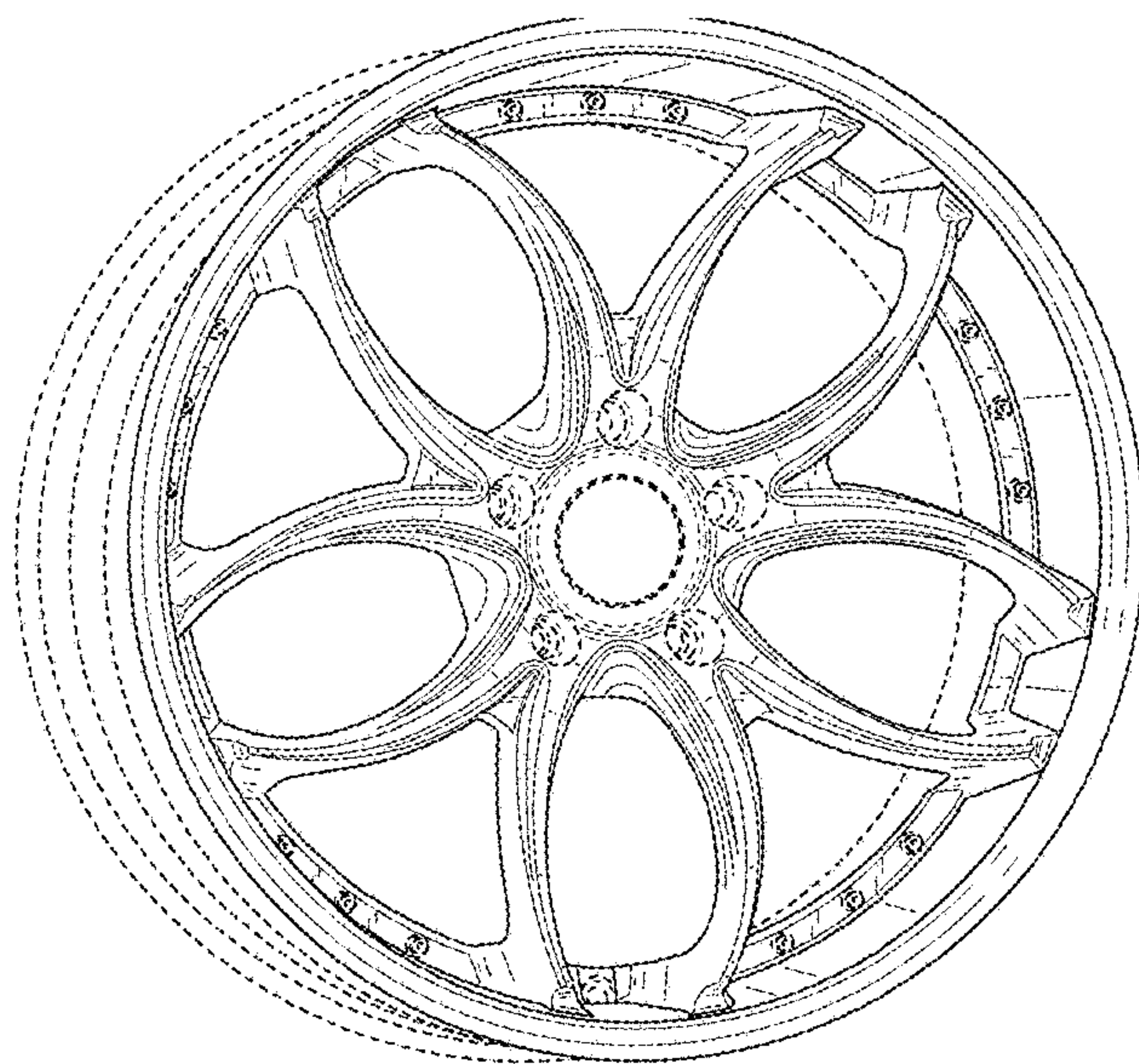
DESCRIPTION

FIG. 1 is a perspective view of the vehicle wheel showing my new design; and,

FIG. 2 is a front view of the vehicle wheel.

In the drawings, the portions of the wheel shown in broken lines form no part of the claimed design.

1 Claim, 2 Drawing Sheets



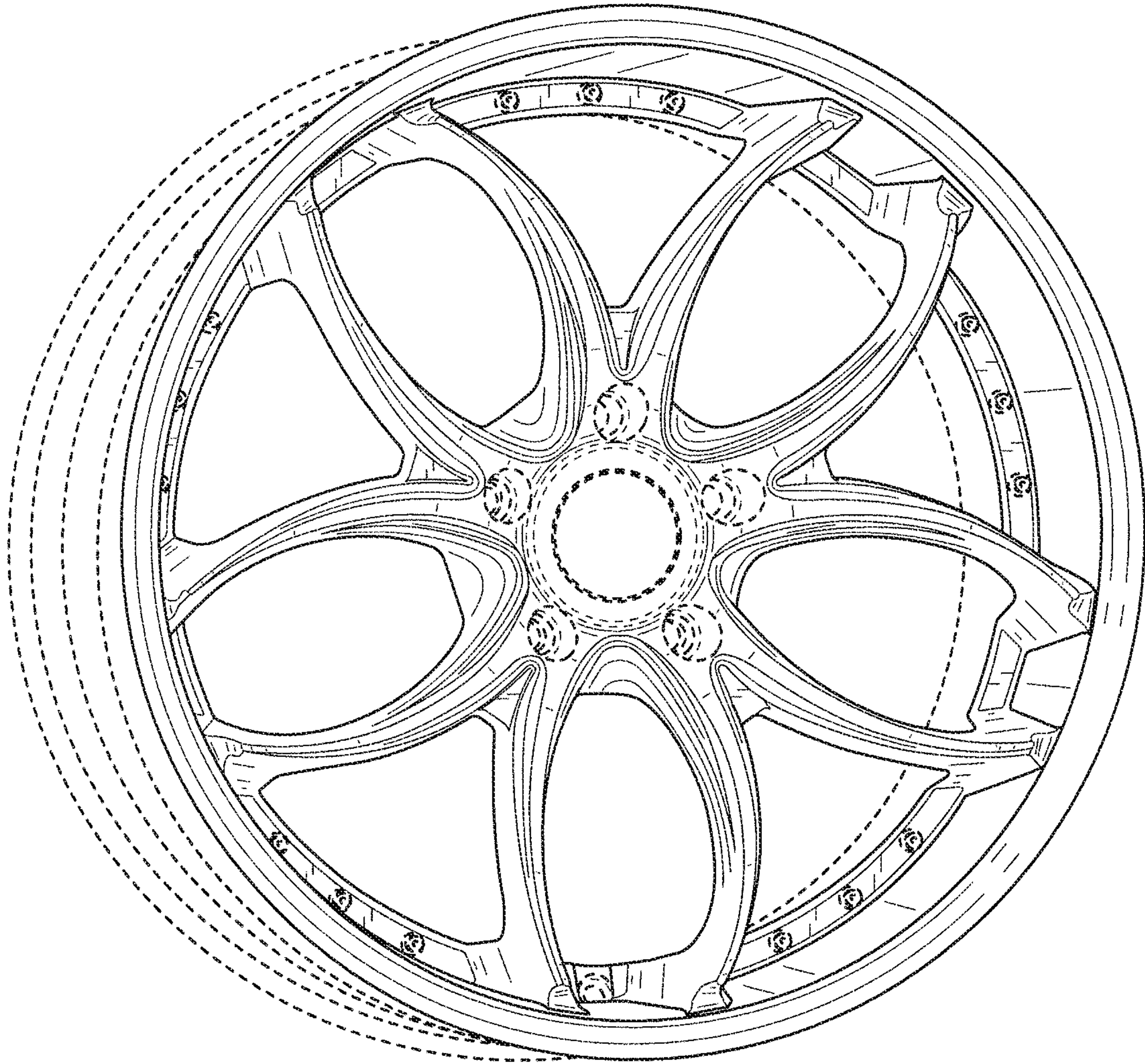


FIG. 1

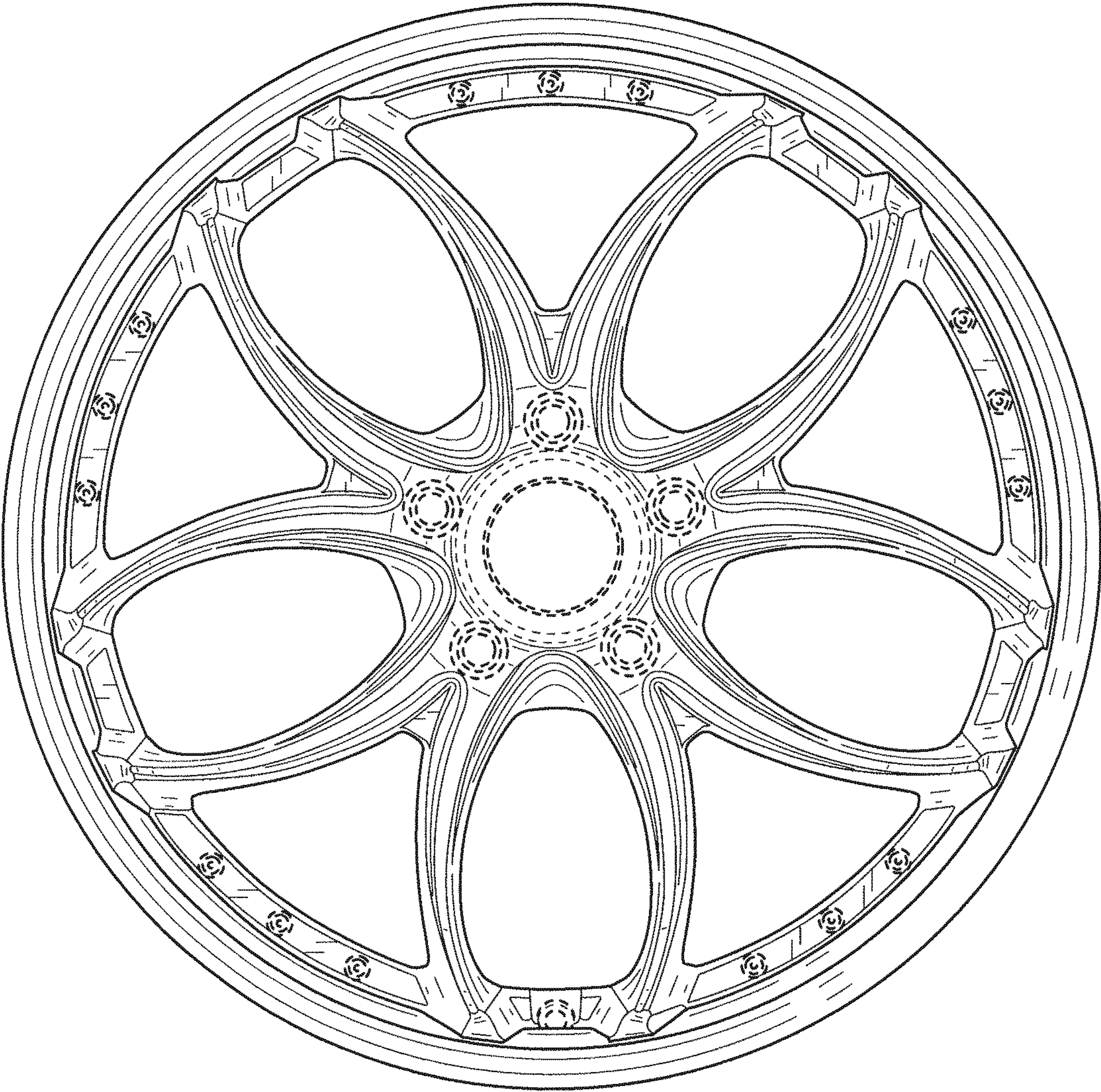


FIG. 2