



US00D908059S

(12) **United States Design Patent**
Mukti

(10) **Patent No.:** **US D908,059 S**

(45) **Date of Patent:** **** Jan. 19, 2021**

(54) **VEHICLE WHEEL**

(71) Applicant: **Quarsa, LLC**, Chino, CA (US)

(72) Inventor: **Ali Mukti**, Surabaya (ID)

(73) Assignee: **QUARSA, LLC**, Chino, CA (US)

(**) Term: **15 Years**

(21) Appl. No.: **29/687,842**

(22) Filed: **Apr. 16, 2019**

(51) **LOC (13) Cl.** **12-16**

(52) **U.S. Cl.**
USPC **D12/209**

(58) **Field of Classification Search**

USPC D12/204–213; D21/563
CPC B60B 7/00; B60B 7/02; B60B 7/04; B60B
7/01; B60B 7/06; B60B 3/02; B60B 3/04;
B60B 3/06; B60B 3/10; B60B 1/00;
B60B 1/08; B60B 1/10; B60B 1/12

See application file for complete search history.

(56) **References Cited**

U.S. PATENT DOCUMENTS

D639,221 S *	6/2011	Johnson	D12/209
D644,156 S *	8/2011	Johnson	D12/209
D659,064 S *	5/2012	Johnson	D12/209
D669,009 S *	10/2012	Chung	D12/211
D680,047 S *	4/2013	Hale, Jr.	D12/209
D698,300 S *	1/2014	Chung	D12/211
D699,173 S *	2/2014	Zhao	D12/211
D715,722 S *	10/2014	Johnson	D12/211

D719,496 S *	12/2014	Johnson	D12/209
D719,890 S *	12/2014	Johnson	D12/209
D747,674 S *	1/2016	Johnson	D12/209
D748,557 S *	2/2016	Johnson	D12/209
D751,018 S *	3/2016	Platto	D12/209
D766,805 S *	9/2016	Chung	D12/211
D790,425 S *	6/2017	Johnson	D12/209
D791,041 S *	7/2017	Johnson	D12/209
D791,042 S *	7/2017	Johnson	D12/209
D828,270 S *	9/2018	Aslam	D12/211
D831,558 S *	10/2018	Starr, Jr.	D12/209
D833,360 S *	11/2018	Kong	D12/209
D856,246 S *	8/2019	Liffick	D12/209
D860,096 S *	9/2019	Milani	D12/209
D860,907 S *	9/2019	Han	D12/209
D878,270 S *	3/2020	Han	D12/209
D893,386 S *	8/2020	Chung	D12/209
D897,926 S *	10/2020	Chung	D12/209

* cited by examiner

Primary Examiner — Stacia A Cadmus

(74) *Attorney, Agent, or Firm* — Snell & Wilmer LLP

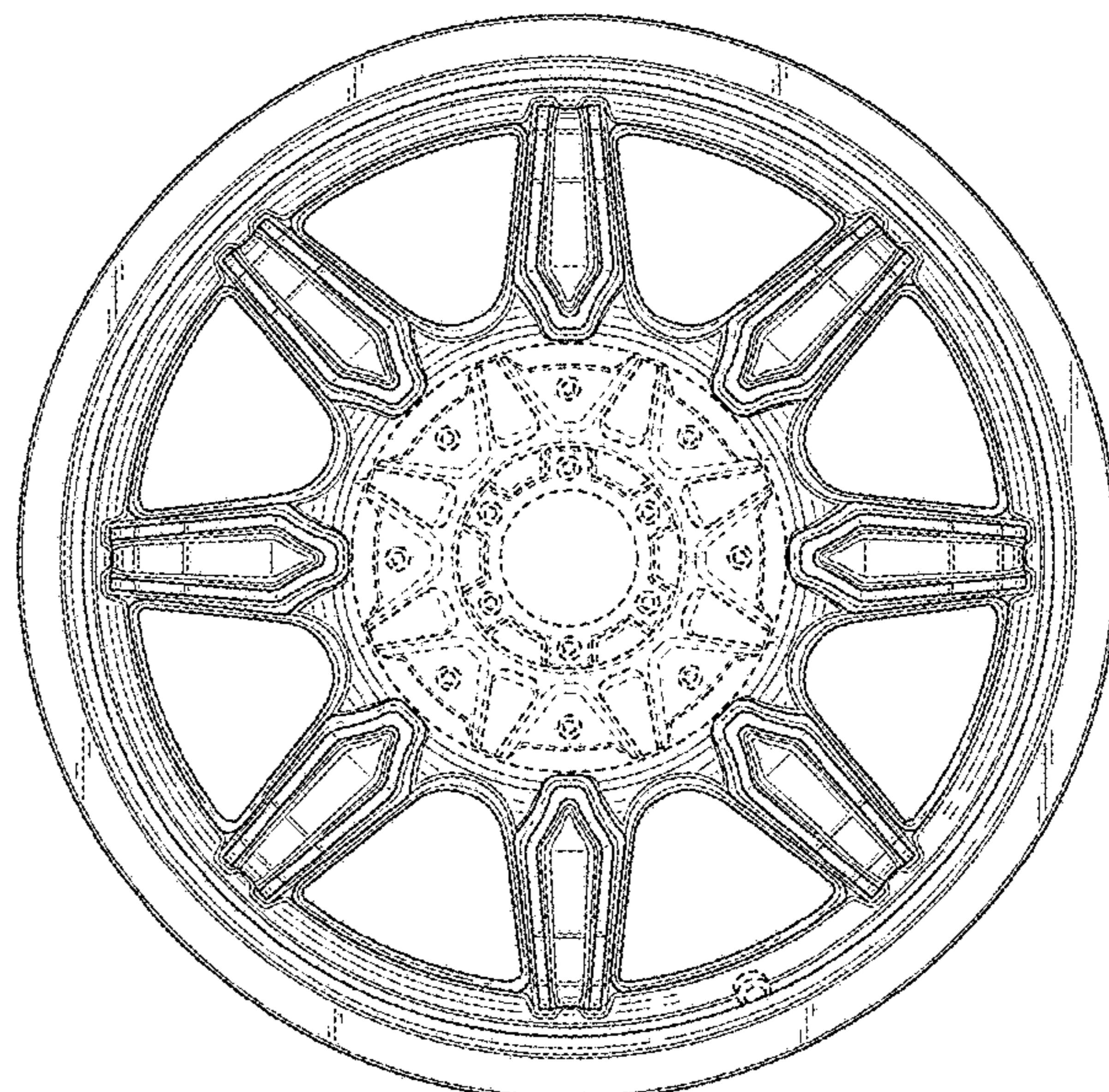
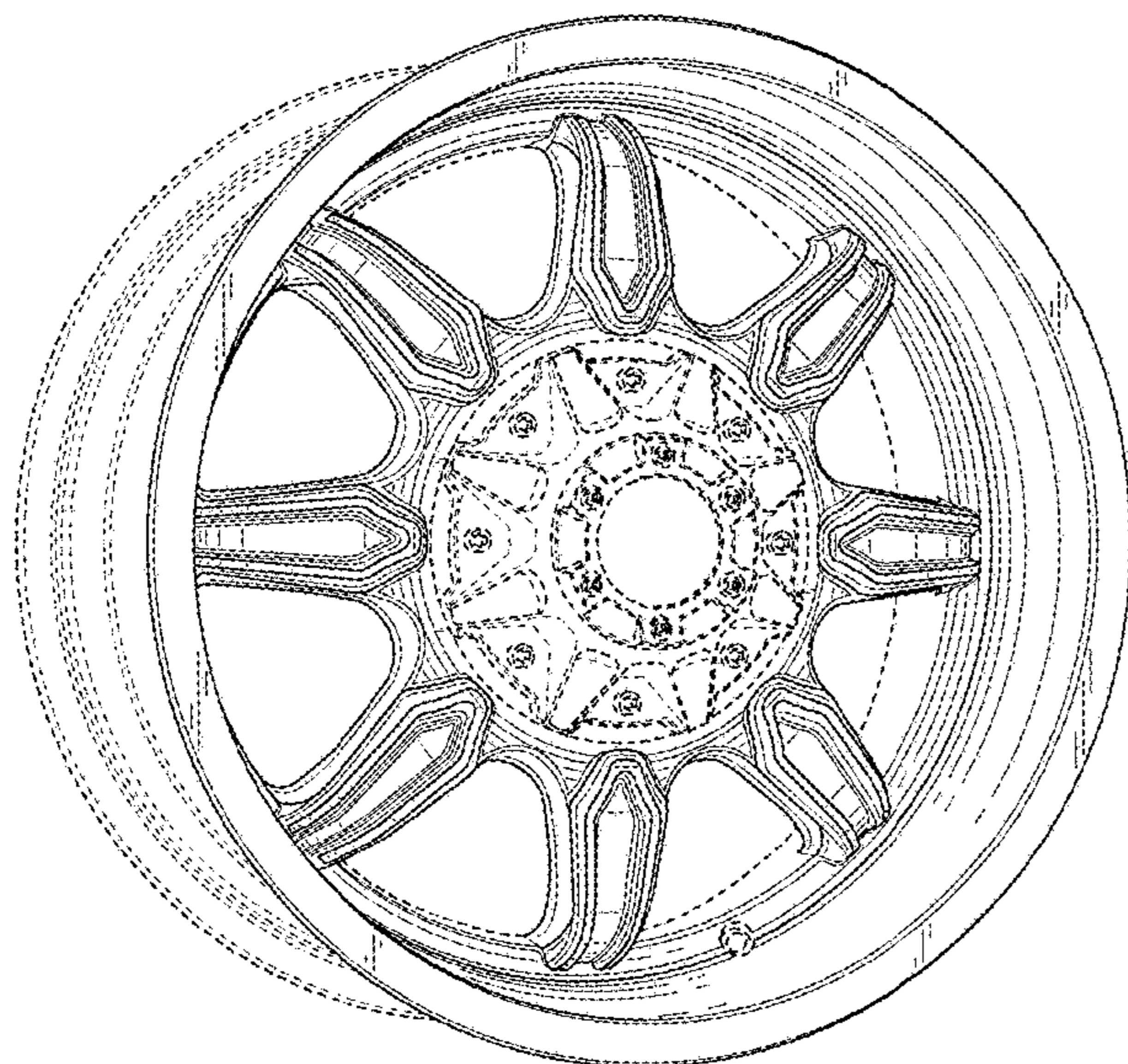
(57) **CLAIM**

I claim the ornamental design for a vehicle wheel, as shown and described.

DESCRIPTION

FIG. 1 is a perspective view of the vehicle wheel showing my new design; and, FIG. 2 is a front view of the vehicle wheel. In the drawings, the portions of the wheel shown in broken lines form no part of the claimed design.

1 Claim, 2 Drawing Sheets



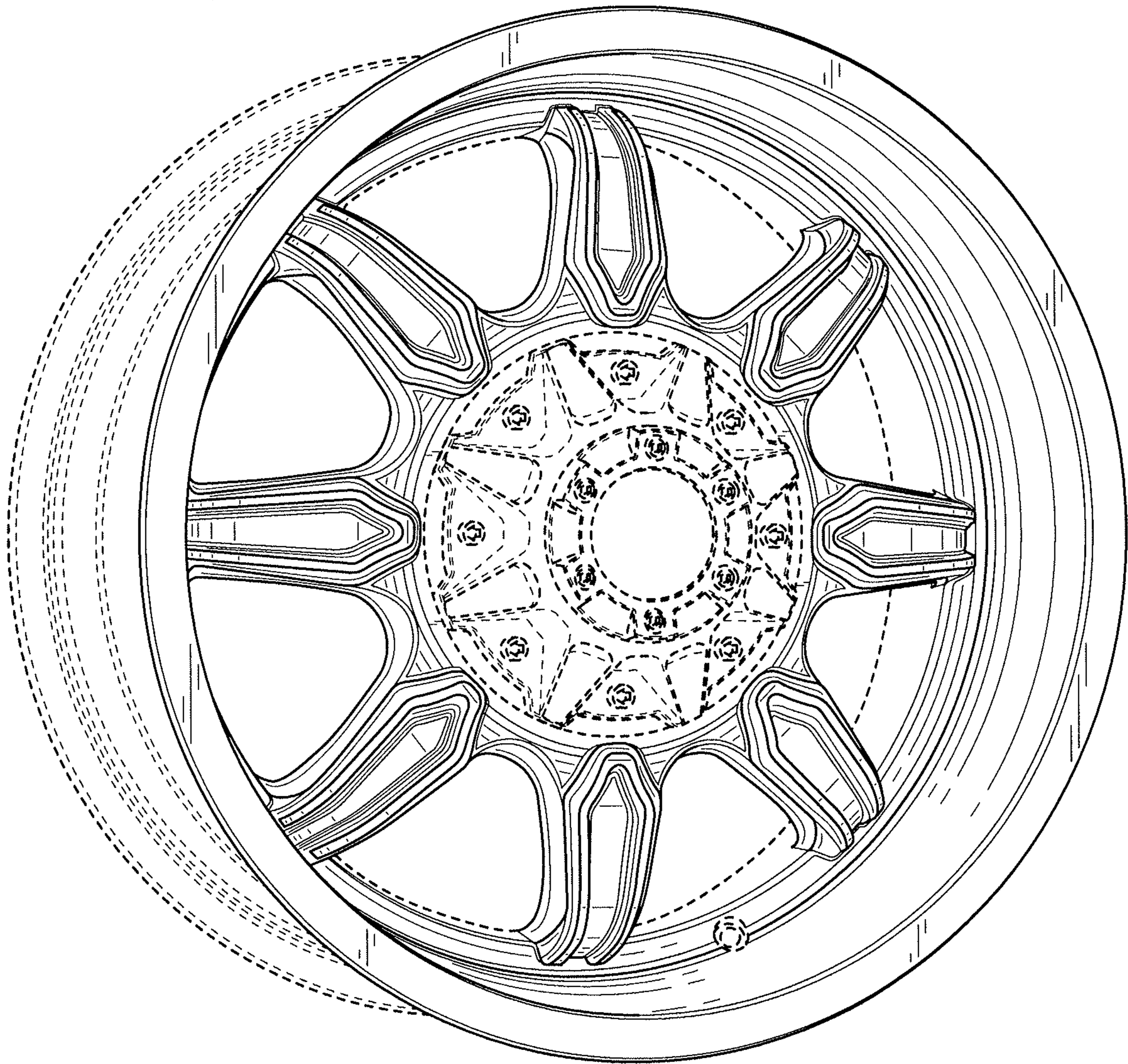


FIG. 1

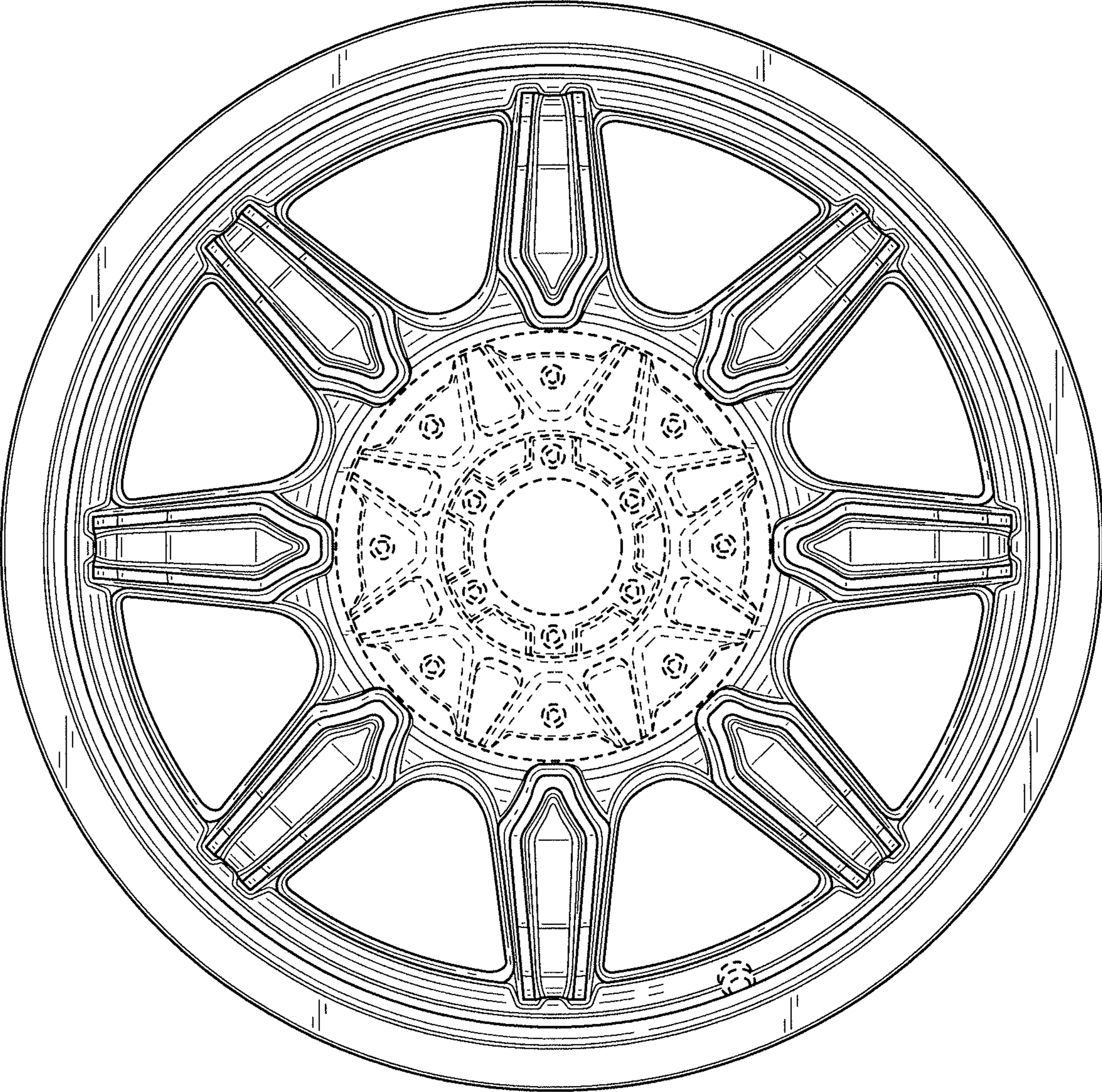


FIG. 2