



US00D908057S

(12) **United States Design Patent**
Mukti

(10) **Patent No.:** **US D908,057 S**

(45) **Date of Patent:** **** Jan. 19, 2021**

(54) **VEHICLE WHEEL**

(71) Applicant: **Quarsa, LLC**, Chino, CA (US)

(72) Inventor: **Ali Mukti**, Surabaya (ID)

(73) Assignee: **QUARSA, LLC**, Chino, CA (US)

(**) Term: **15 Years**

(21) Appl. No.: **29/686,977**

(22) Filed: **Apr. 9, 2019**

(51) **LOC (13) Cl.** **12-16**

(52) **U.S. Cl.**
USPC **D12/209**

(58) **Field of Classification Search**
USPC D12/204–213; D21/563
CPC B60B 7/00; B60B 7/02; B60B 7/04; B60B
7/01; B60B 7/06; B60B 3/02; B60B 3/04;
B60B 3/06; B60B 3/10; B60B 1/00;
B60B 1/08; B60B 1/10; B60B 1/12
See application file for complete search history.

(56) **References Cited**

U.S. PATENT DOCUMENTS

D496,318 S	*	9/2004	Cheng	D12/209
D500,720 S	*	1/2005	Chung	D12/209
D576,535 S	*	9/2008	Chung	D12/209
D671,477 S	*	11/2012	Juergens	D12/209

D743,865 S	*	11/2015	Rueckheim	D12/209
D784,234 S	*	4/2017	Houghton	D12/209
D793,320 S	*	8/2017	Factor	D12/209
D797,635 S	*	9/2017	Rueckheim	D12/209
D818,927 S	*	5/2018	Valencia Pollex	D12/209
D840,311 S	*	2/2019	Hilton	D12/209
D842,187 S	*	3/2019	Tomasson	D12/209
D842,794 S	*	3/2019	Khachatryan	D12/209
D849,637 S	*	5/2019	Henstridge	D12/209
D876,305 S	*	2/2020	Lee	D12/209
D888,636 S	*	6/2020	Tomasson	D12/209
D889,363 S	*	7/2020	Henstridge	D12/209
D891,345 S	*	7/2020	Ninov	D12/209

* cited by examiner

Primary Examiner — Stacia A Cadmus

(74) *Attorney, Agent, or Firm* — Snell & Wilmer LLP

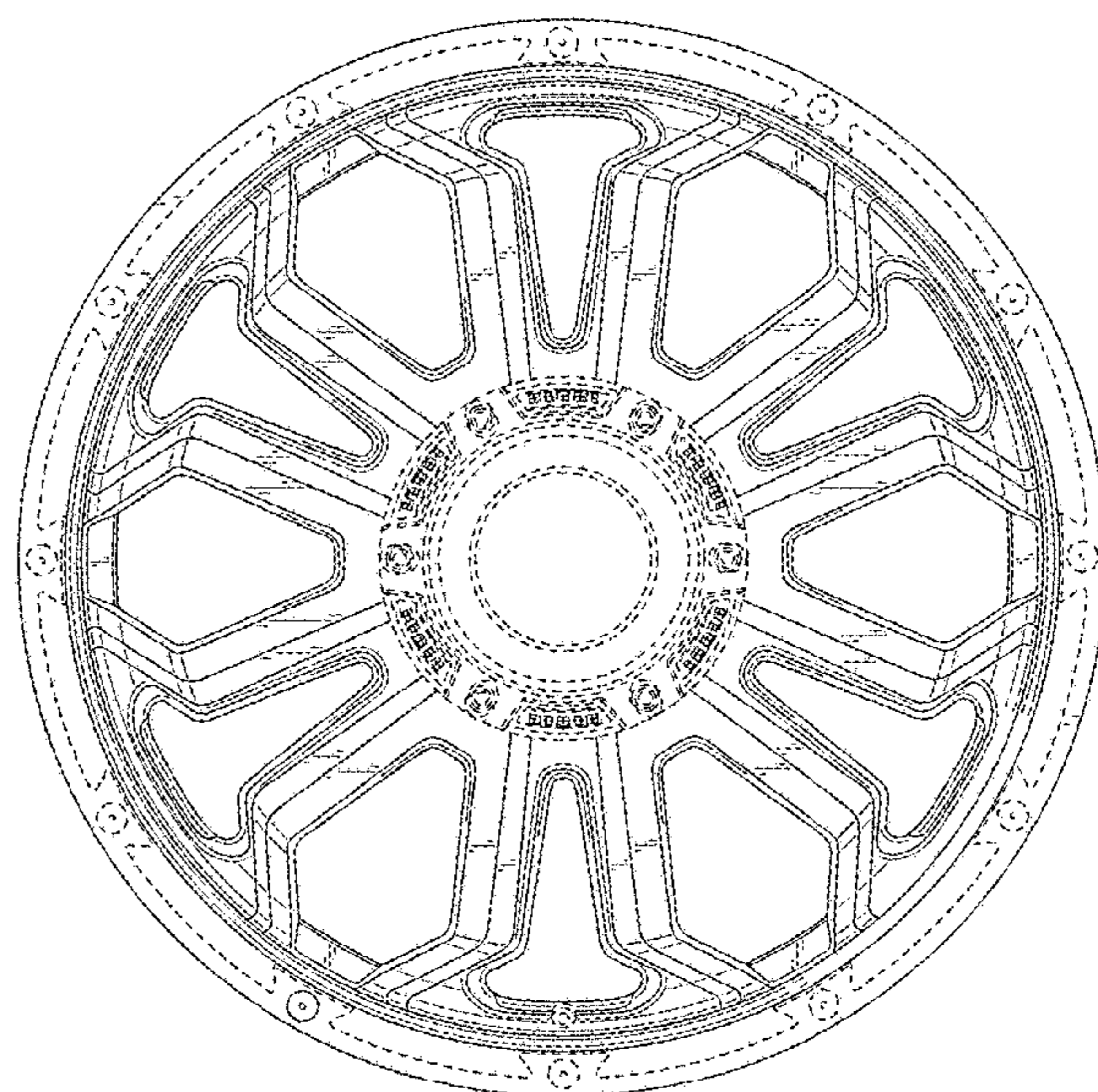
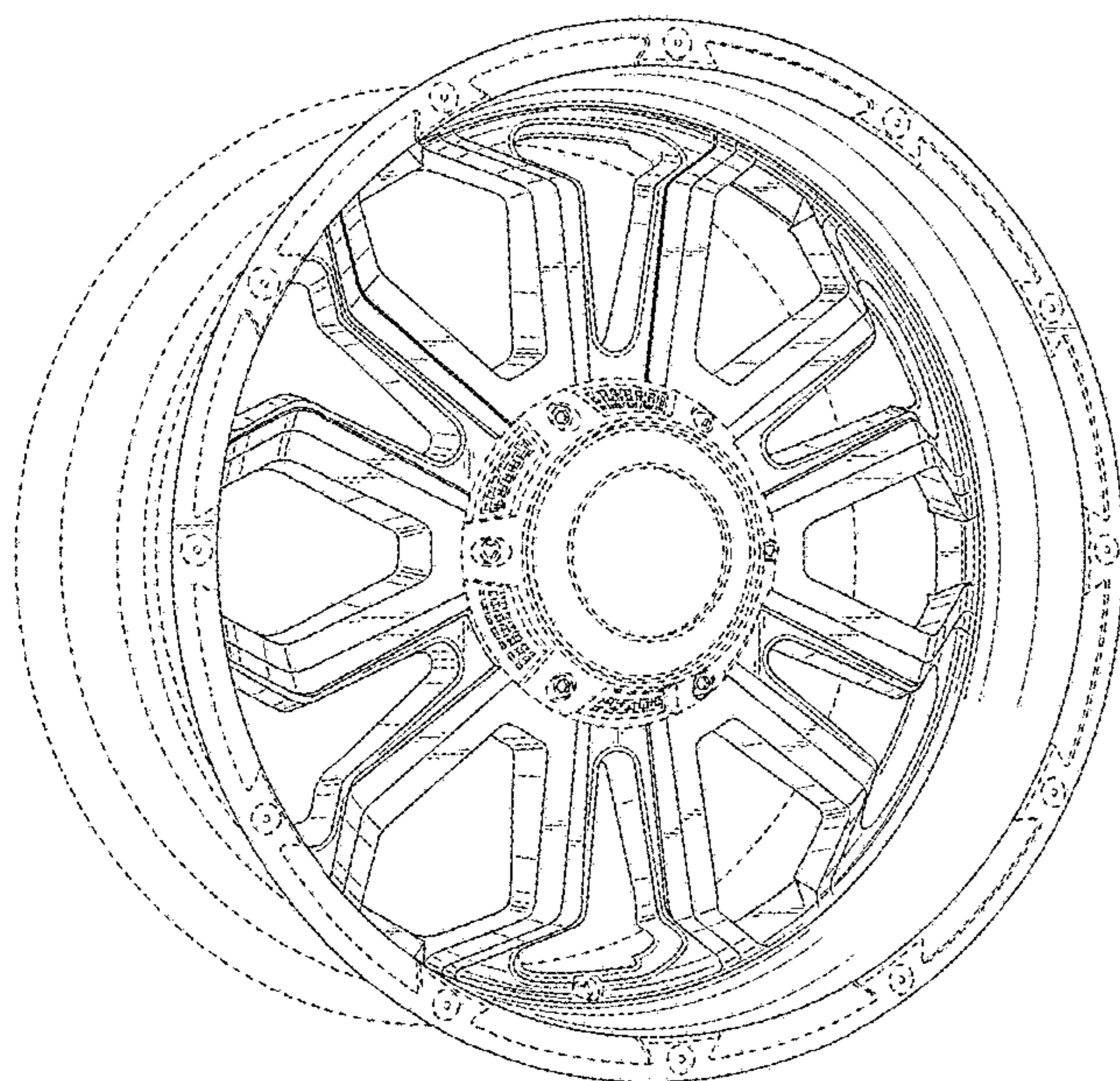
(57) **CLAIM**

I claim the ornamental design for a vehicle wheel, as shown and described.

DESCRIPTION

FIG. 1 is a perspective view of the vehicle wheel showing my new design; and, FIG. 2 is a front view of the vehicle wheel. In the drawings, the portions of the wheel shown in broken lines form no part of the claimed design.

1 Claim, 2 Drawing Sheets



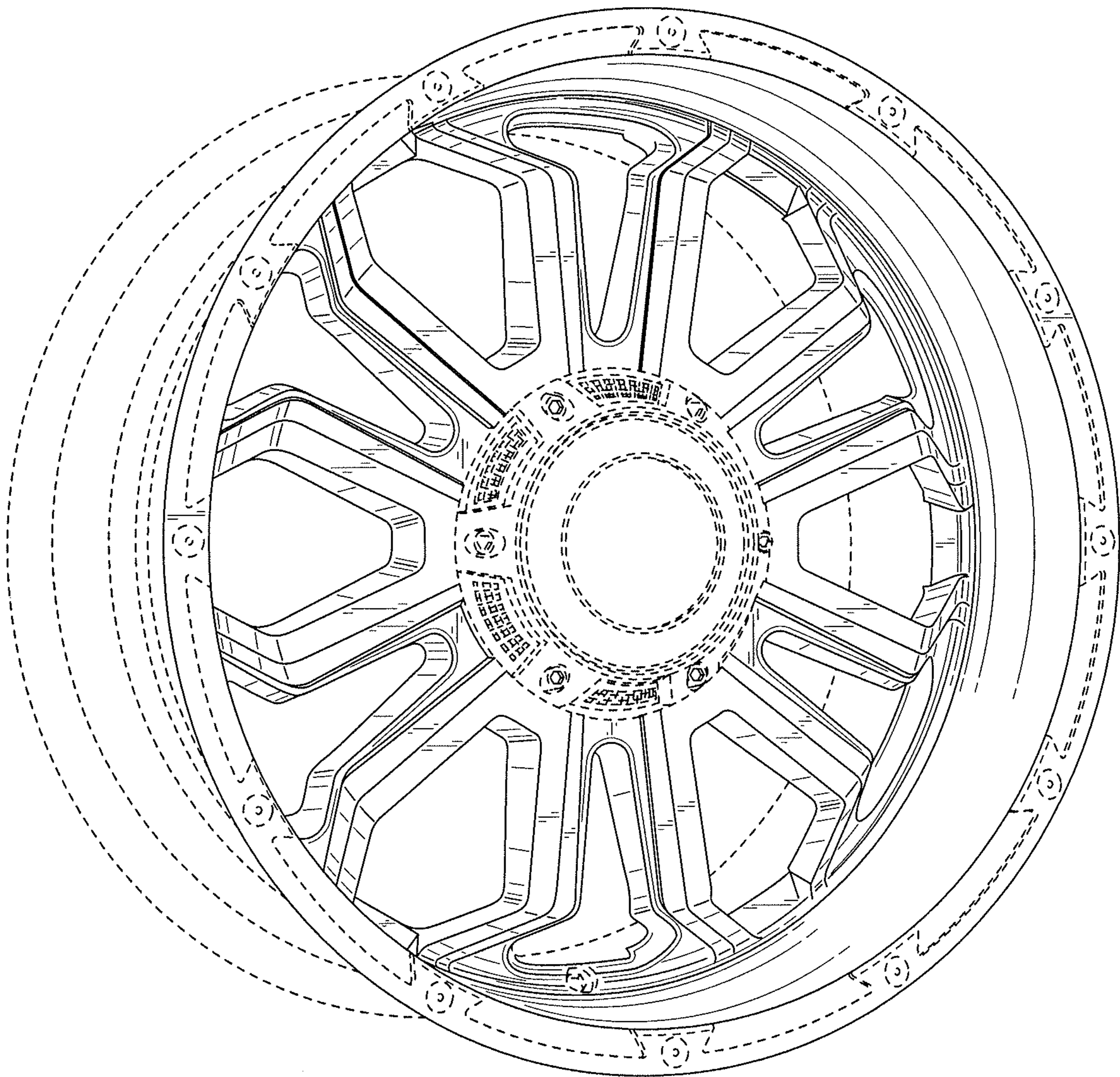


FIG. 1

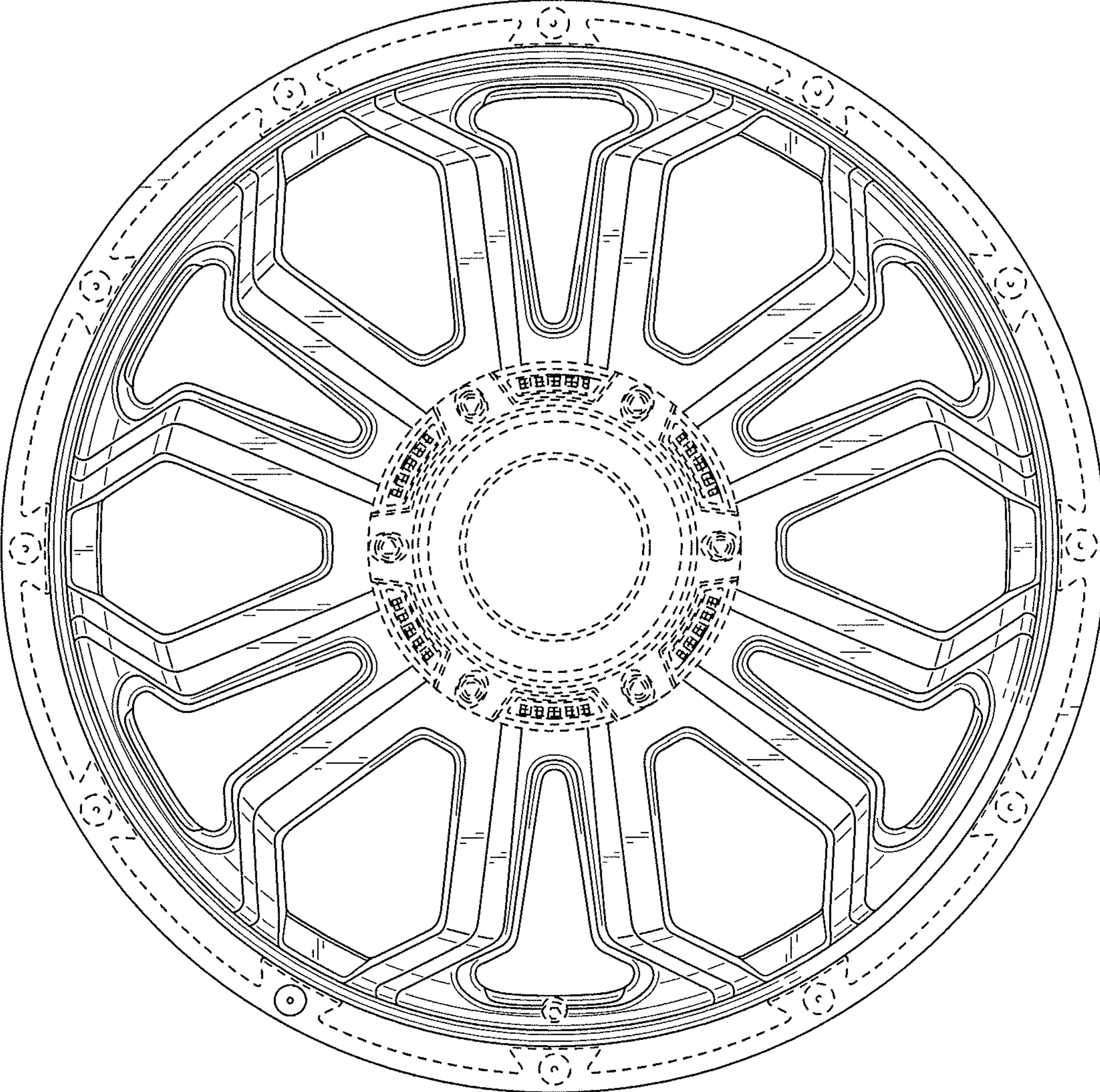


FIG. 2