



US00D908054S

(12) **United States Design Patent**  
**Perkins et al.**

(10) **Patent No.:** **US D908,054 S**  
(45) **Date of Patent:** **\*\* Jan. 19, 2021**

(54) **DECOMPRESSION PANEL ASSEMBLY**

(71) Applicant: **The Boeing Company**, Chicago, IL (US)

(72) Inventors: **Thomas Seth Perkins**, Renton, WA (US); **Adam R. Weston**, Brier, WA (US)

(73) Assignee: **The Boeing Company**, Chicago, IL (US)

(\*\*) Term: **15 Years**

(21) Appl. No.: **29/674,060**

(22) Filed: **Dec. 19, 2018**

(51) **LOC (13) Cl.** ..... **12-07**

(52) **U.S. Cl.**  
USPC ..... **D12/195; D12/345; D23/388**

(58) **Field of Classification Search**

USPC ..... D12/345, 195; D23/370, 371, 381, 385, D23/387, 388, 400, 412; 244/117 R, 244/118.1, 118.5, 118.6, 119, 129.1, 244/129.2; 52/98, 99, 302.1; 454/76  
CPC ..... B64C 2001/009; B64C 1/00; B64C 1/10; B64C 1/18; B64D 11/00; B64D 13/00; B64D 2013/0625; B64D 2013/003  
See application file for complete search history.

(56) **References Cited**

**U.S. PATENT DOCUMENTS**

4,899,960 A \* 2/1990 Hararat-Tehrani ..... B64C 1/18  
137/68.11  
5,044,578 A \* 9/1991 White ..... B64C 1/066  
244/117 R

(Continued)

**OTHER PUBLICATIONS**

HCL Experience Comfort, HCLtech.com, [online], [site visited Apr. 23, 2020]. <URL: [https://www.hcltech.com/sites/default/files/wx8501\\_aircraft\\_interior-ife\\_v1\\_0.pdf](https://www.hcltech.com/sites/default/files/wx8501_aircraft_interior-ife_v1_0.pdf)> (Year: 2020).\*

(Continued)

*Primary Examiner* — T Chase Nelson

*Assistant Examiner* — Jonathan J. Han

(74) *Attorney, Agent, or Firm* — Armstrong Teasdale LLP

(57) **CLAIM**

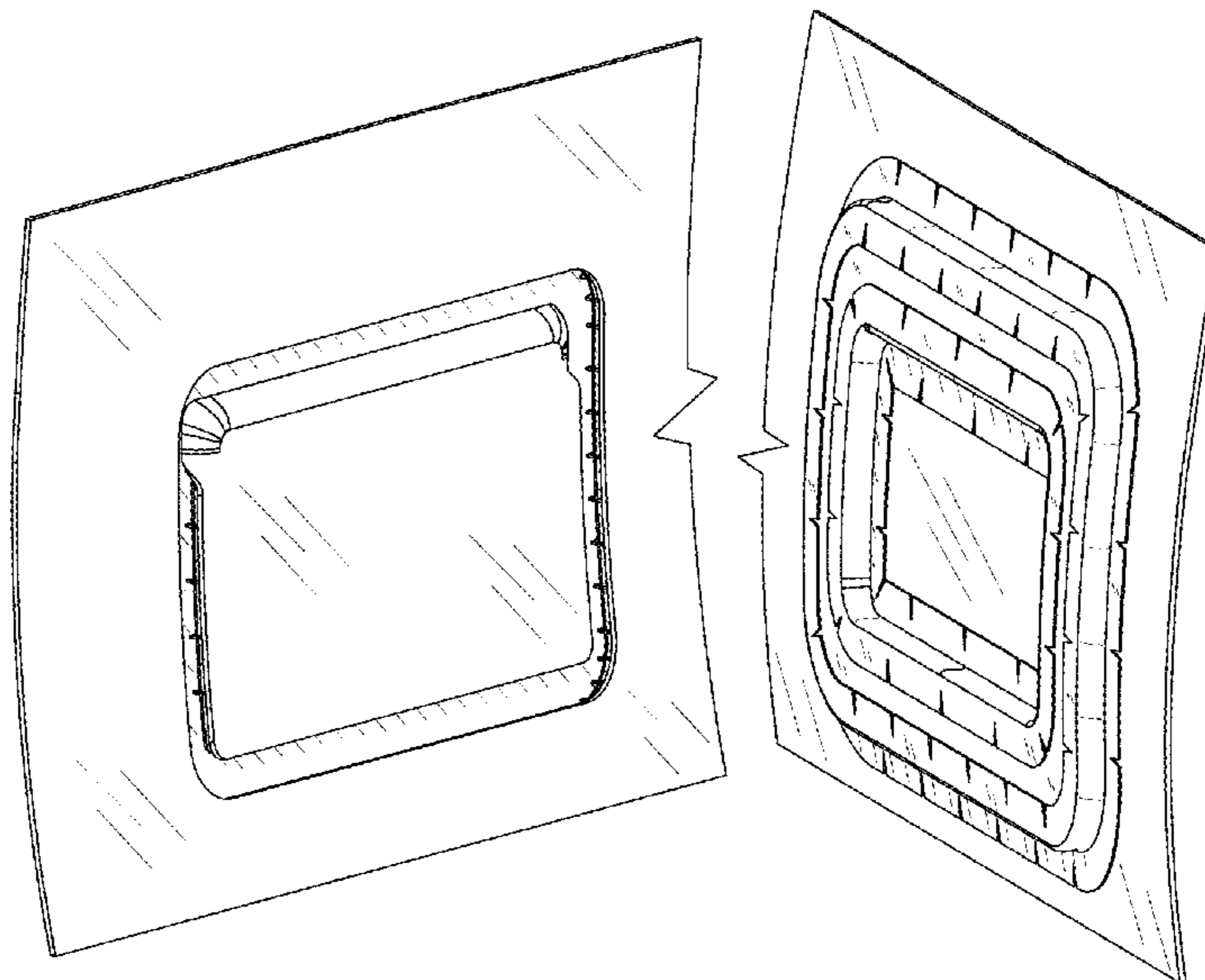
We claim the ornamental design for a decompression panel assembly, as shown and described.

**DESCRIPTION**

FIG. 1 is a front view of the decompression panel assembly showing the new design installed in an aircraft sidewall; FIG. 2 is a front view of the decompression panel assembly of FIG. 1 shown without the environment; FIG. 3 is a rear view of the decompression panel assembly shown in FIG. 2; FIG. 4 is a top view of the decompression panel assembly shown in FIG. 2; FIG. 5 is a bottom view of the decompression panel assembly shown in FIG. 2; FIG. 6 is a left side view of the decompression panel assembly shown in FIG. 2; FIG. 7 is a right side view of the decompression panel assembly shown in FIG. 2; FIG. 8 is a perspective front view of the decompression panel assembly shown in FIG. 2; FIG. 9 is a perspective rear view of the decompression panel assembly shown in FIG. 2; and, FIG. 10 is an exploded view of the decompression panel assembly shown in FIG. 2.

In these drawings, the solid lines illustrate the claimed ornamental design, whereas the broken lines illustrate unclaimed environmental features and form no part of the claimed design.

**1 Claim, 10 Drawing Sheets**



(56)

References Cited

U.S. PATENT DOCUMENTS

5,137,231 A \* 8/1992 Boss ..... B64C 1/18  
 244/118.5  
 6,129,312 A \* 10/2000 Weber ..... B64C 1/18  
 244/118.5  
 D588,977 S \* 3/2009 Bock ..... D12/345  
 D592,584 S \* 5/2009 Schuephaus ..... D12/345  
 D600,619 S \* 9/2009 Schuephaus ..... D12/345  
 D600,620 S \* 9/2009 Schuephaus ..... D12/345  
 D600,621 S \* 9/2009 Schuephaus ..... D12/345  
 D613,234 S \* 4/2010 Tirey ..... D12/418  
 D624,481 S \* 9/2010 Schuephaus ..... D12/345  
 D654,008 S \* 2/2012 Stevens ..... D12/345  
 8,240,604 B2 \* 8/2012 Opp ..... B64C 1/18  
 244/118.5  
 D693,756 S \* 11/2013 Stevens ..... D12/345  
 8,651,924 B1 \* 2/2014 Jones ..... B64D 13/02  
 244/118.5  
 D719,895 S \* 12/2014 Fissette ..... D12/345  
 8,955,803 B2 2/2015 Voss et al.  
 D726,093 S \* 4/2015 Perkins ..... D12/345  
 D731,950 S \* 6/2015 Fissette ..... D12/345  
 9,440,744 B2 9/2016 Perkins et al.

9,751,609 B2 9/2017 Perkins et al.  
 9,796,245 B2 \* 10/2017 Switzer ..... B60H 1/248  
 9,874,012 B2 \* 1/2018 Shimizu ..... B64C 1/066  
 D817,851 S \* 5/2018 Perkins ..... D12/345  
 2011/0139931 A1 \* 6/2011 Opp ..... B64C 1/18  
 244/121  
 2017/0129581 A1 \* 5/2017 Perkins ..... B64C 1/066  
 2017/0283029 A1 \* 10/2017 Sterling ..... B64F 5/10  
 2017/0349261 A1 \* 12/2017 Brown ..... B64C 1/066  
 2017/0349262 A1 \* 12/2017 Brown ..... B64C 1/18

OTHER PUBLICATIONS

Triumph Interiors, LLC, Aircraft Interiors Refurbishment, Adjad-Group.net, [online], [site visited Apr. 23, 2020]. <URL: [http://www.abjad-group.net/View/images/medias/13930755682009\\_.pdf](http://www.abjad-group.net/View/images/medias/13930755682009_.pdf)> (Year: 2020).\*

What are these grilles in the passenger cabin of this 787?, Aviation.StackExchange.com, asked Mar 11, '16 at 2:43, kepler22b, [online], [site visited Apr. 23, 2020]. <URL: <https://aviation.stackexchange.com/questions/26039/what-are-these-grilles-in-the-passenger-cabin-of-this-787>> (Year: 2016).\*

\* cited by examiner

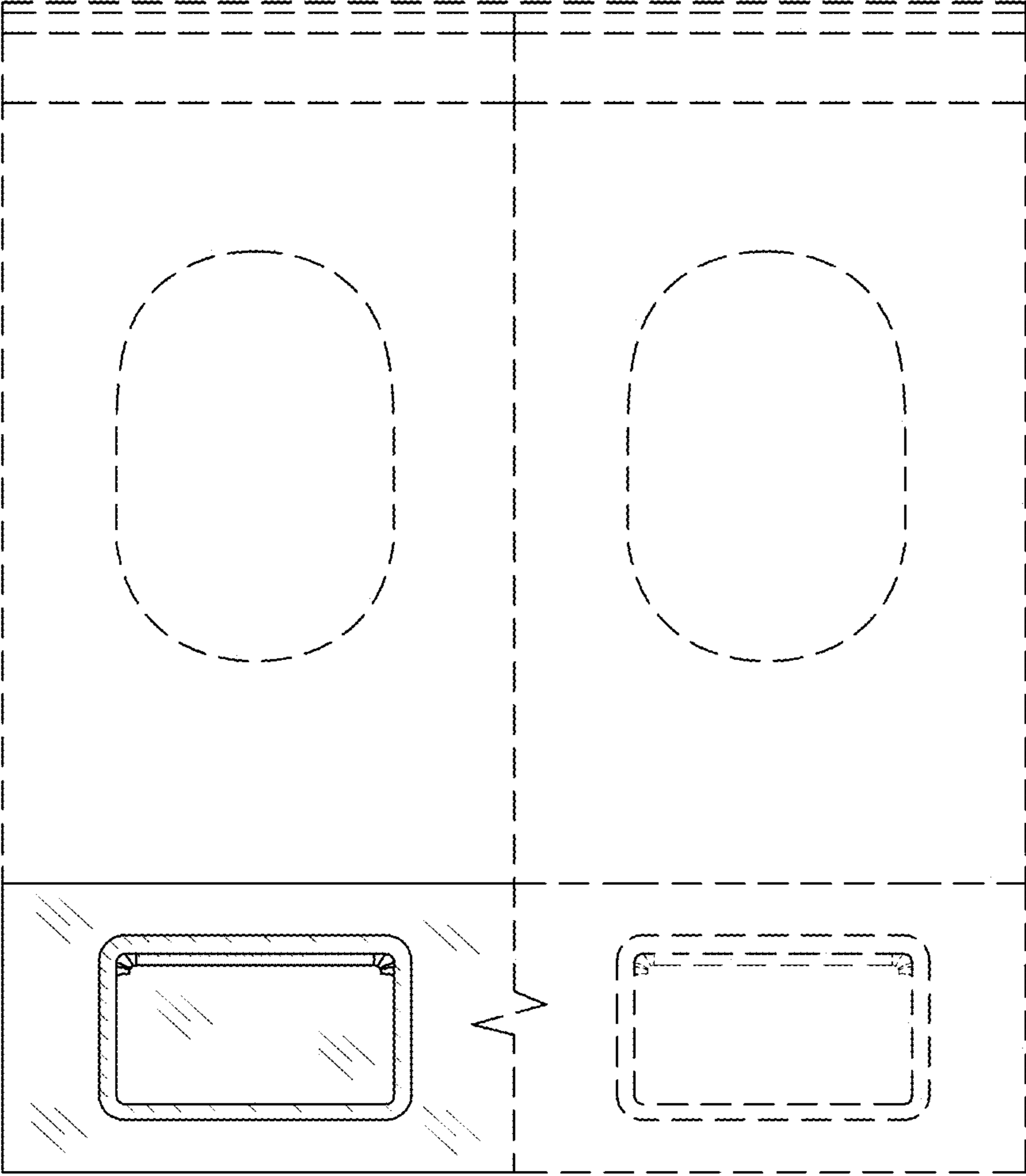


FIG. 1

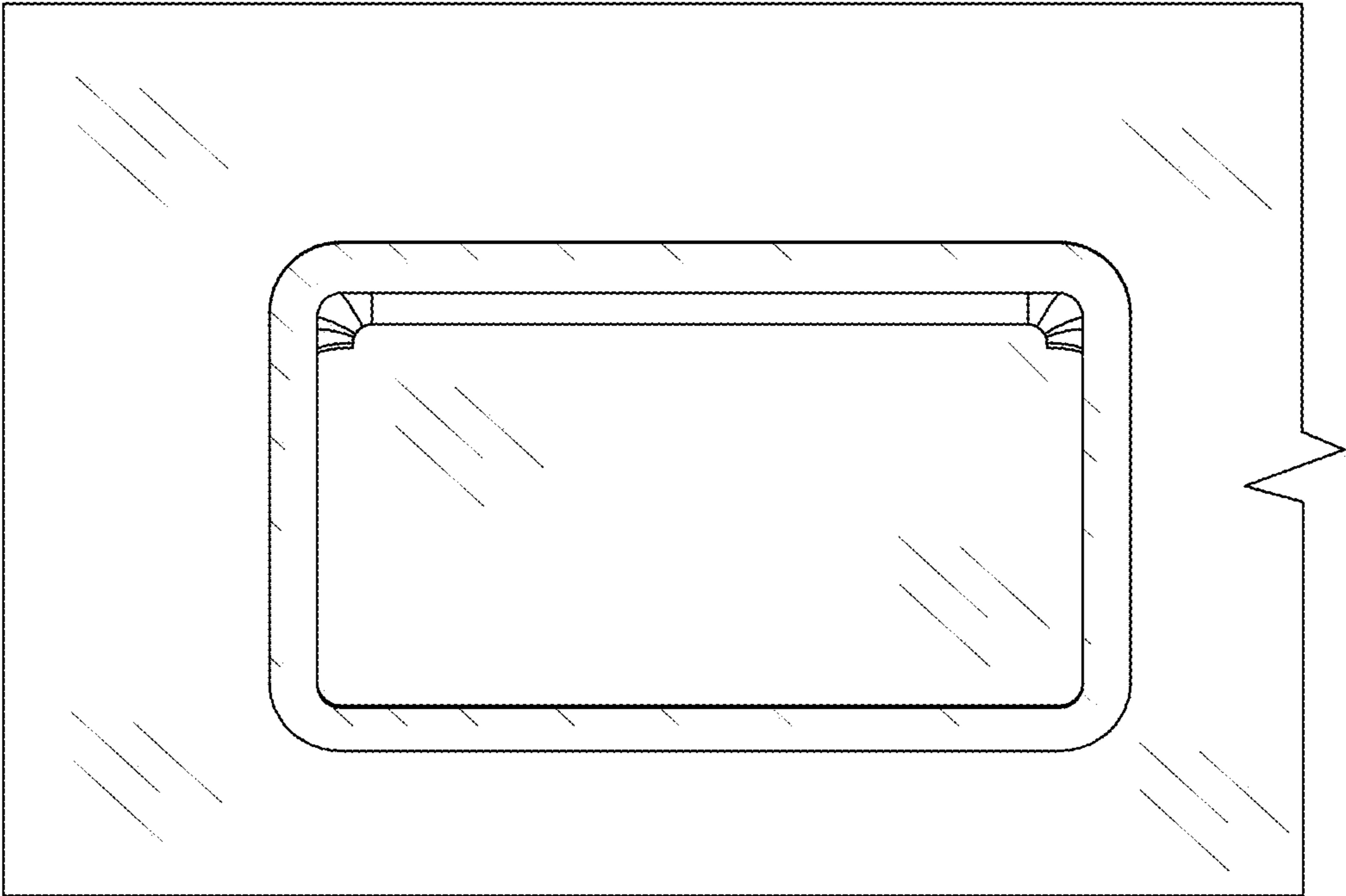


FIG. 2

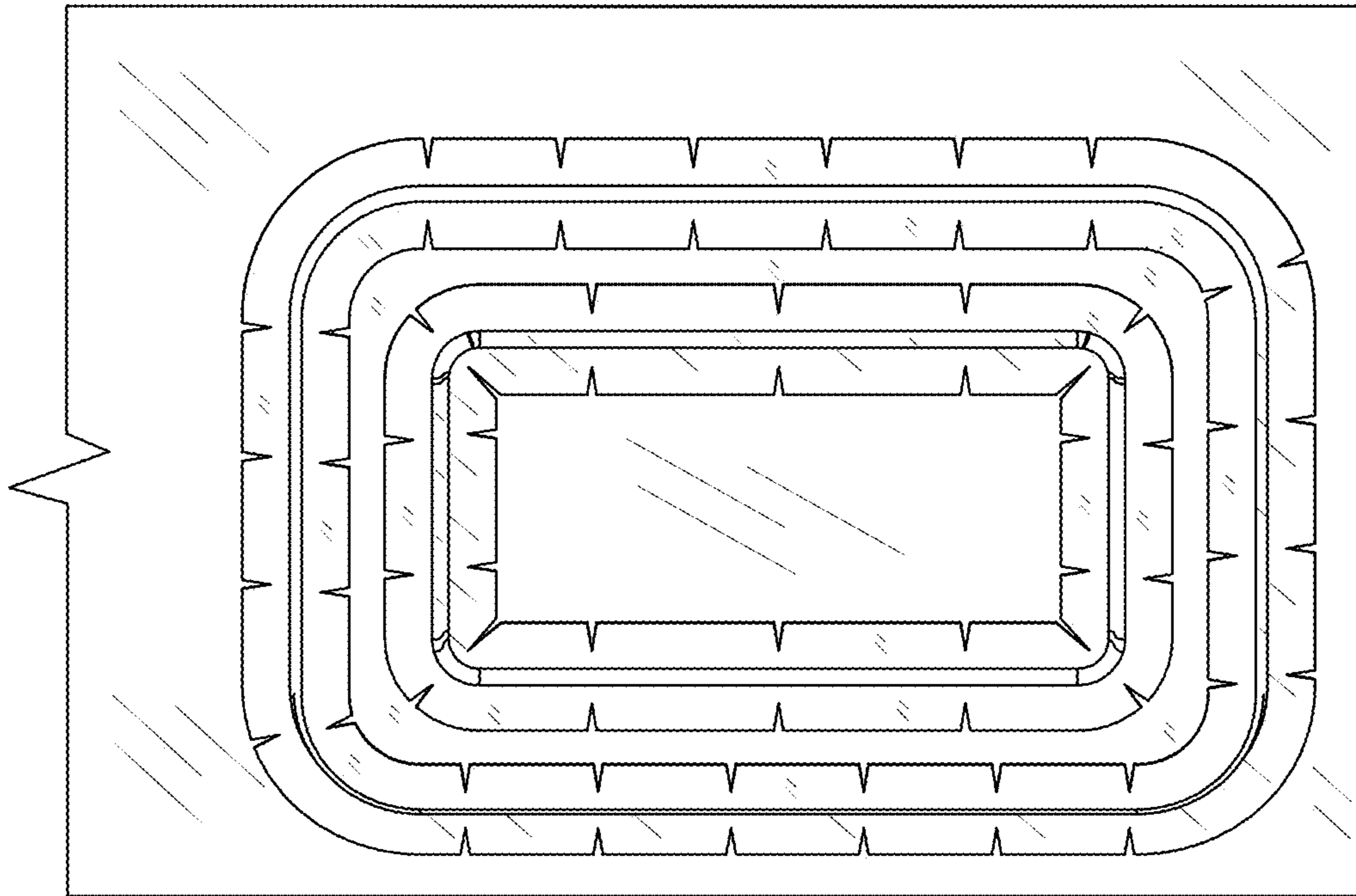


FIG. 3

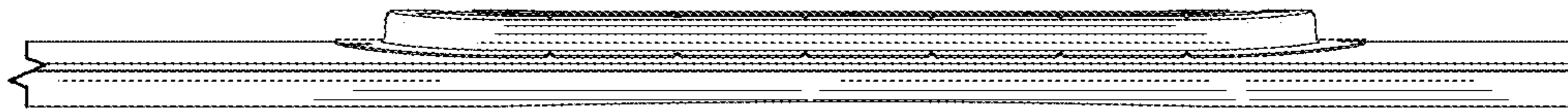


FIG. 4

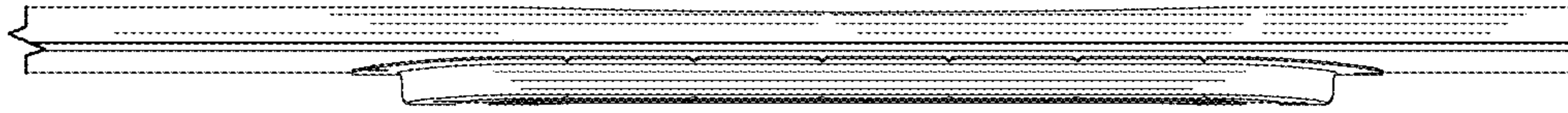


FIG. 5

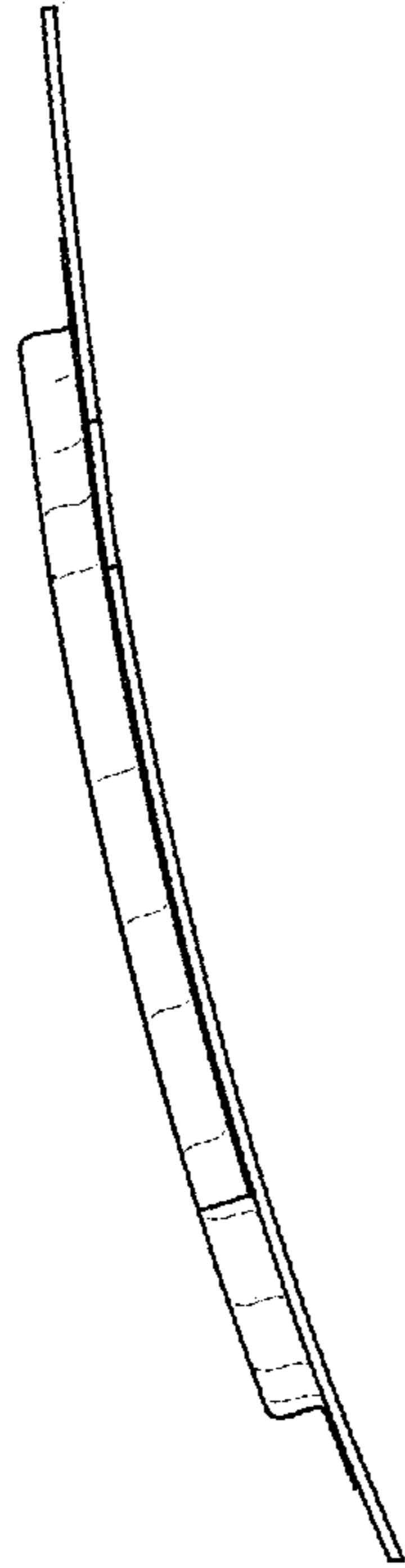


FIG. 6



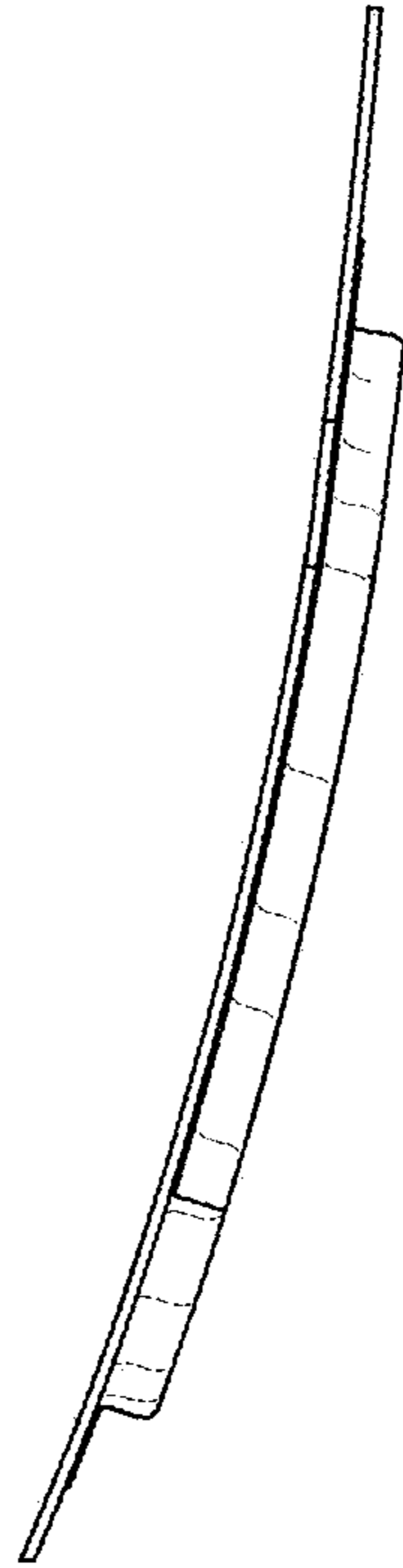


FIG. 7

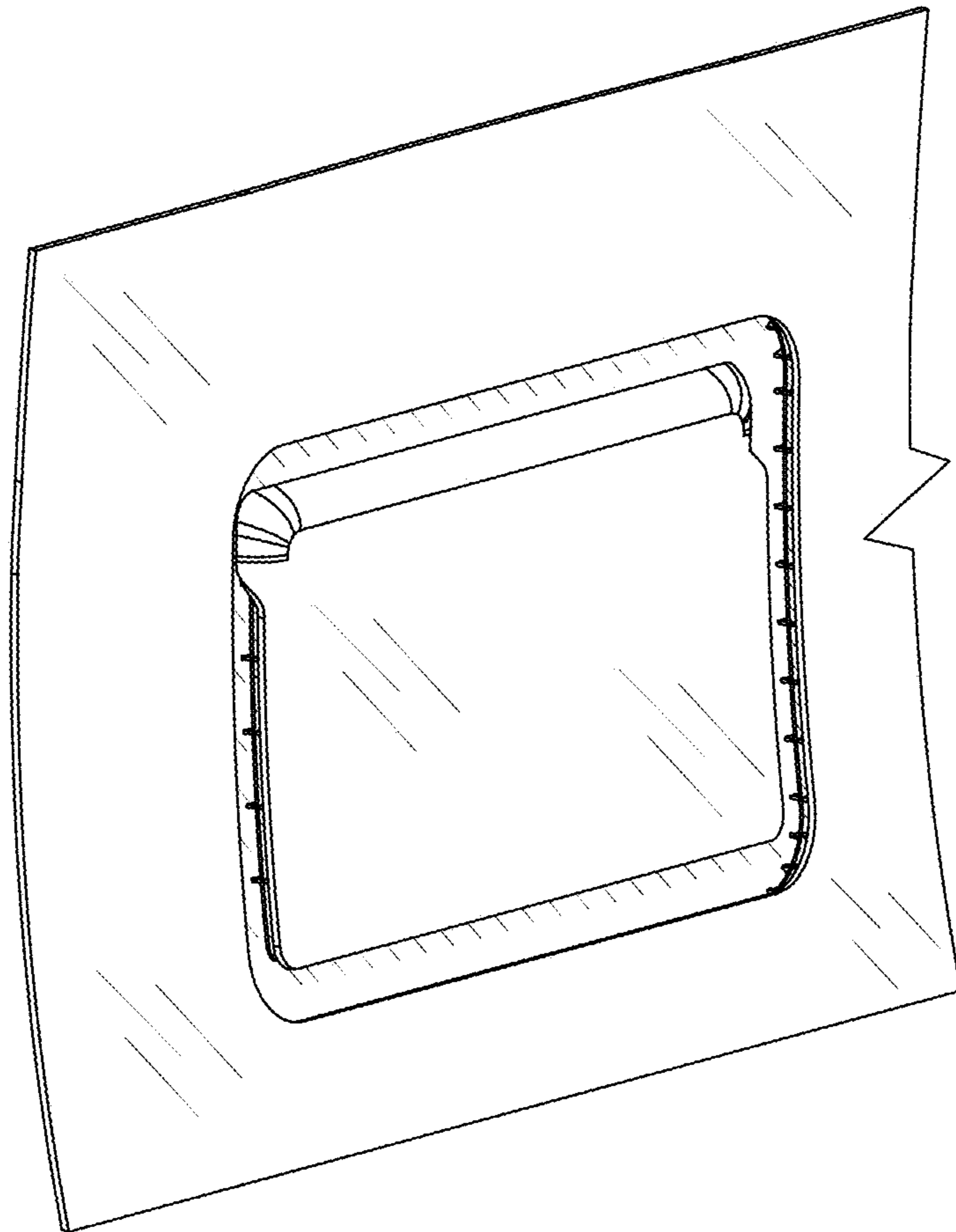


FIG. 8

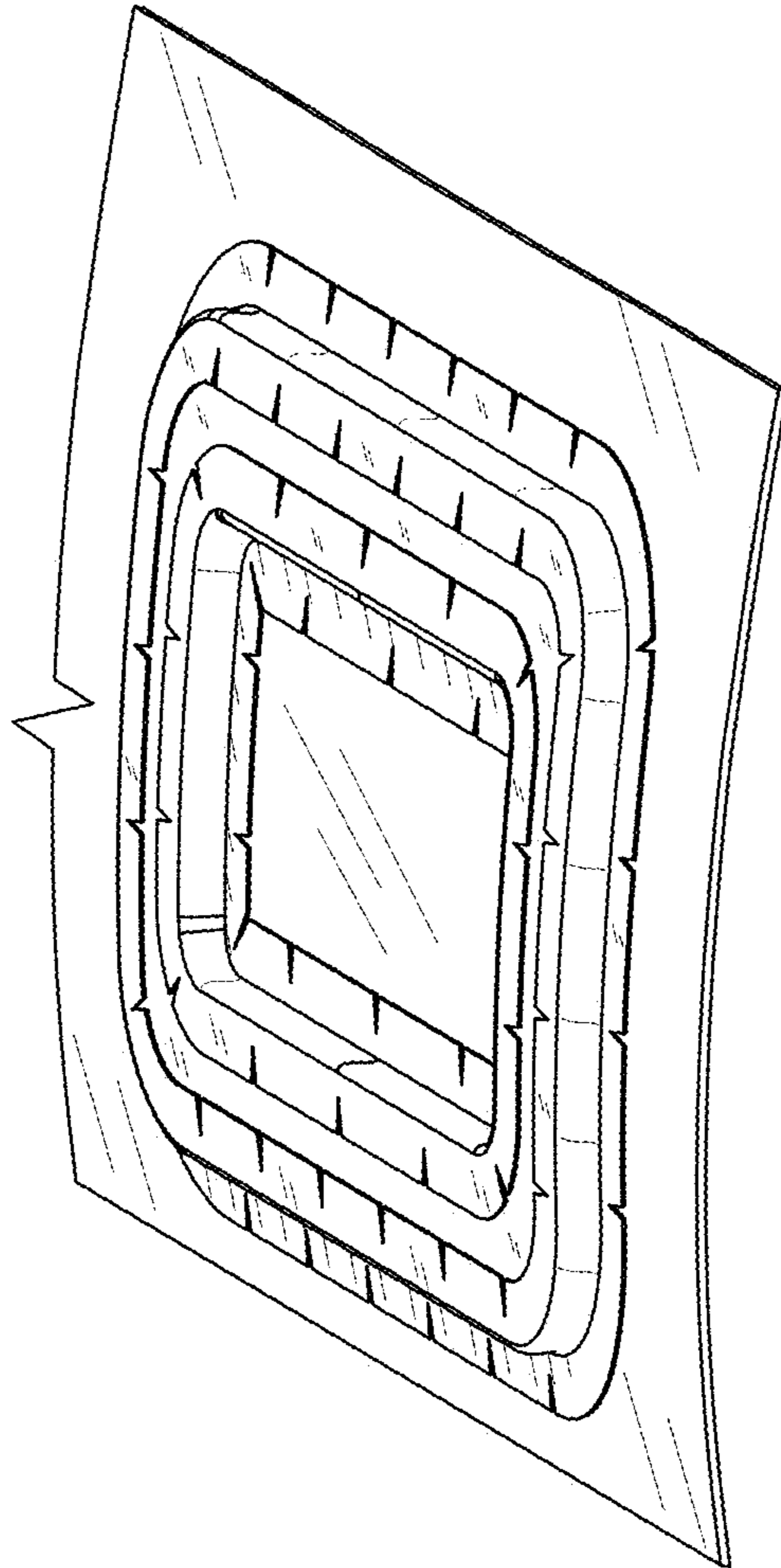


FIG. 9

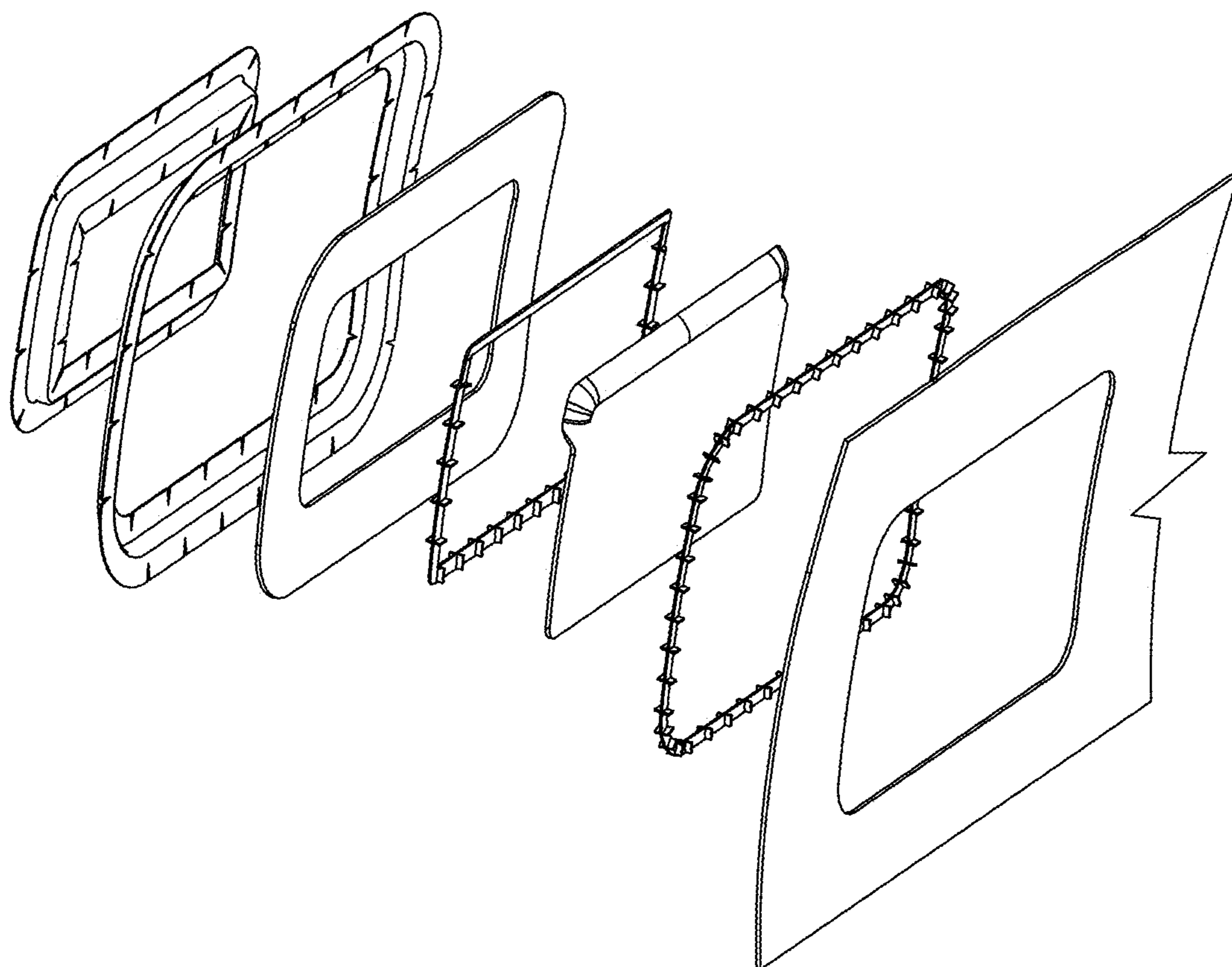


FIG. 10