



US00D908051S

(12) **United States Design Patent**
Longpre et al.

(10) **Patent No.:** **US D908,051 S**

(45) **Date of Patent:** **** Jan. 19, 2021**

- (54) **VEHICLE FRONT FASCIA**
- (71) Applicant: **BOMBARDIER RECREATIONAL PRODUCTS INC., Valcourt (CA)**
- (72) Inventors: **Guillaume Longpre, Valcourt (CA); Francois Chenevert, Sherbrooke (CA); Christopher Rudwal, Paris (FR); Christian Lepine, Bromont (CA)**
- (73) Assignee: **BOMBARDIER RECREATIONAL PRODUCTS INC., Valcourt (CA)**
- (**) Term: **15 Years**
- (21) Appl. No.: **29/704,968**
- (22) Filed: **Sep. 9, 2019**
- (51) **LOC (13) Cl.** **12-16**
- (52) **U.S. Cl.**
USPC **D12/169**
- (58) **Field of Classification Search**
USPC D12/1, 7, 12, 14, 85, 86, 87, 88, 90, 91, D12/93, 96, 107, 164, 169, 170, 171, 172, D12/173, 181, 184, 185, 186, 190, 192, D12/196, 400
CPC B60R 19/00; B60R 19/02; B60R 13/0838; B60R 2019/026; B62D 25/10; B62D 25/16; B62D 25/18; B62D 25/105; B62D 25/161; B62D 25/168; B62D 25/182
See application file for complete search history.

- D689,794 S * 9/2013 Bracy D12/85
- D763,145 S * 8/2016 Tsutamori D12/169
- D763,146 S * 8/2016 Tsutamori D12/169
- D788,648 S 6/2017 Rudwal et al.
- D813,740 S * 3/2018 Park D12/169
- D833,911 S * 11/2018 Borkert D12/88
- D839,133 S * 1/2019 Hilton D12/88
- D851,556 S * 6/2019 Thurber D12/169
- D851,557 S * 6/2019 Thurber D12/169
- D867,220 S 11/2019 Cote et al.

OTHER PUBLICATIONS

Can-Am Spyder RT, can-am.brp.com [online]. Published on or before Sep. 2, 2020, [retrieved on Sep. 2, 2020]. Retrieved from the Internet: <URL:https://can-am.brp.com/on-road/us/en/models/spyder-rt.html> (Year: 2020).*

* cited by examiner

Primary Examiner — Michael A. Pratt
Assistant Examiner — Adam C Mager
(74) *Attorney, Agent, or Firm* — BCF LLP

(57) **CLAIM**

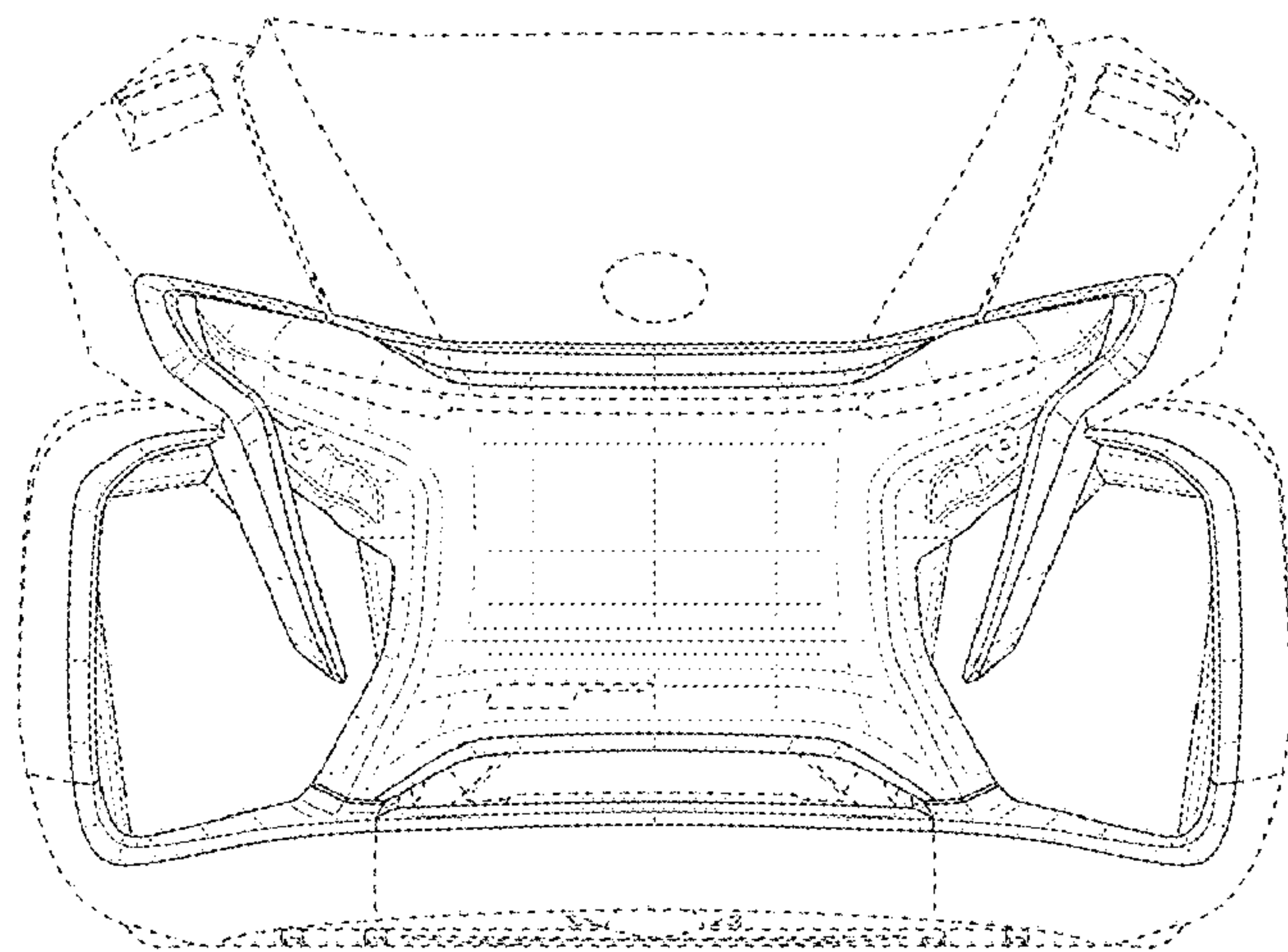
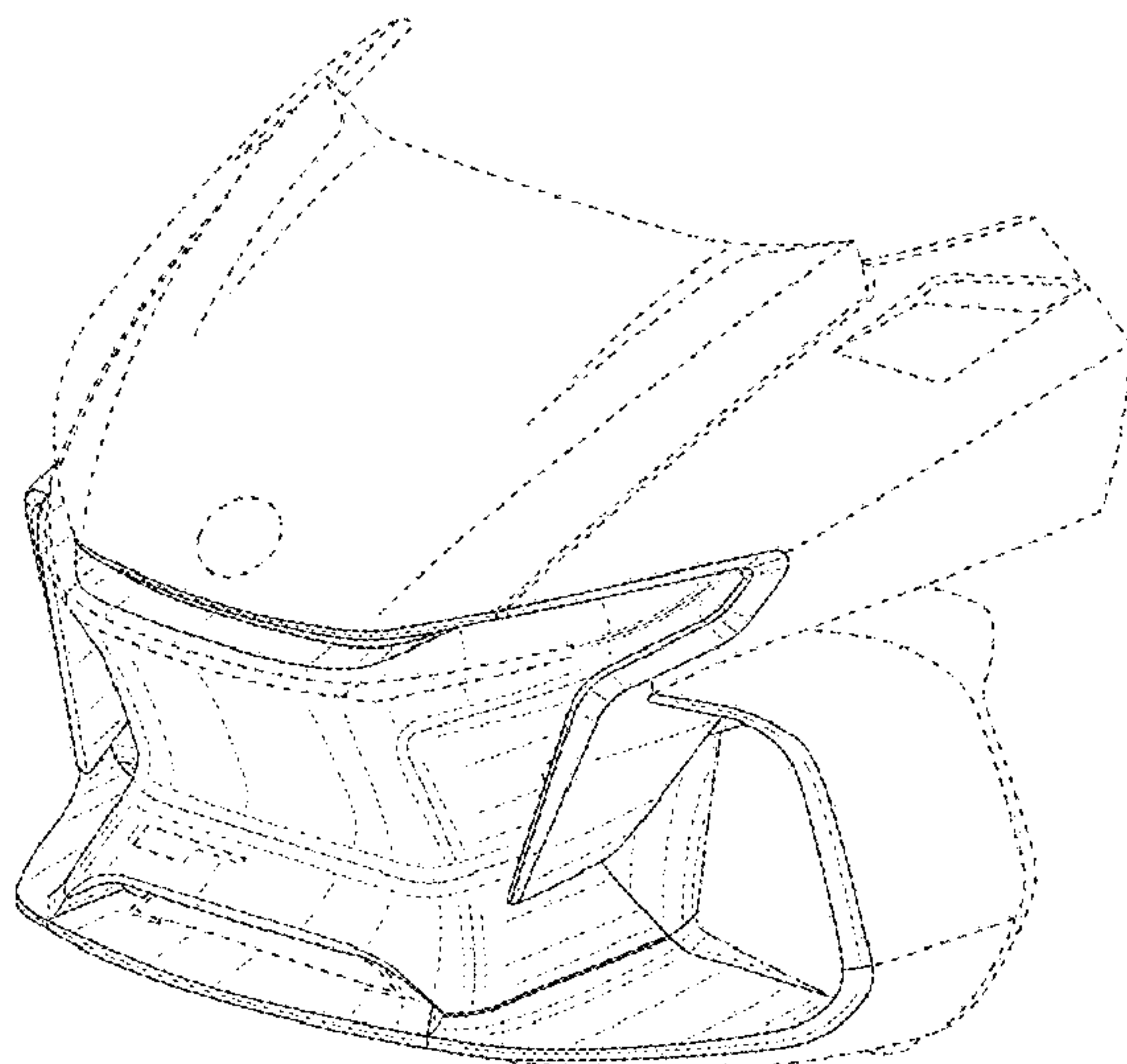
The ornamental design for an vehicle front fascia, as shown and described.

DESCRIPTION

FIG. 1 is a perspective view taken from a front, left side of a vehicle front fascia according to our design; FIG. 2 is a front elevation view thereof; FIG. 3 is a left side elevation view thereof; FIG. 4 is a right side elevation view thereof; FIG. 5 is a top plan view thereof; and, FIG. 6 is a bottom plan view thereof. The broken line showing of vehicle front fascia is for the purpose of illustrating portions of the article and forms no part of the claimed design.

1 Claim, 6 Drawing Sheets

- (56) **References Cited**
U.S. PATENT DOCUMENTS
D485,788 S * 1/2004 Guay D12/107
7,416,046 B2 * 8/2008 Aube B62J 6/00
180/312
D593,908 S * 6/2009 Longpre D12/107
D596,530 S * 7/2009 Petit D12/7
D629,724 S * 12/2010 Guay D12/164



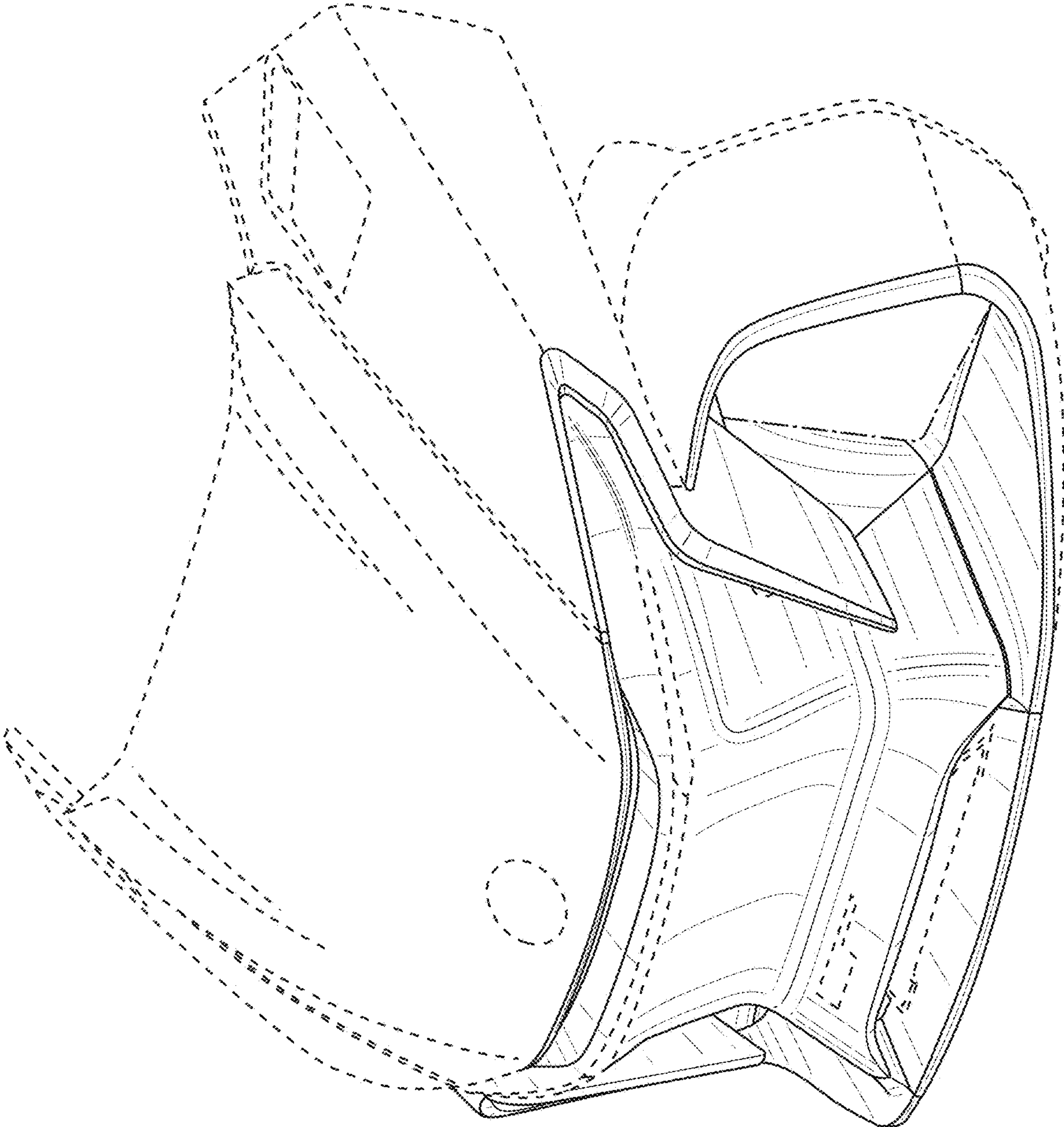


FIG. 1

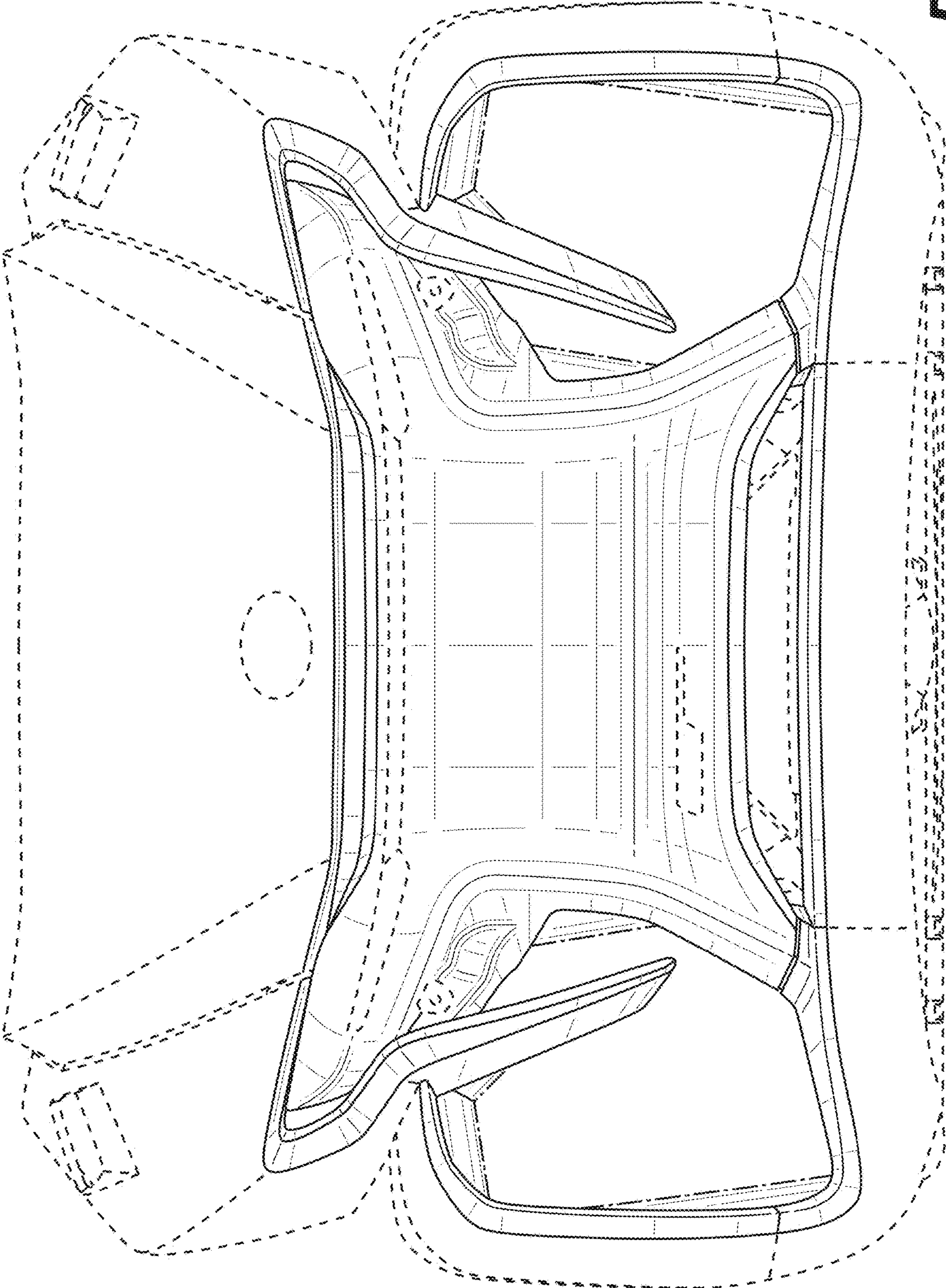


FIG. 2

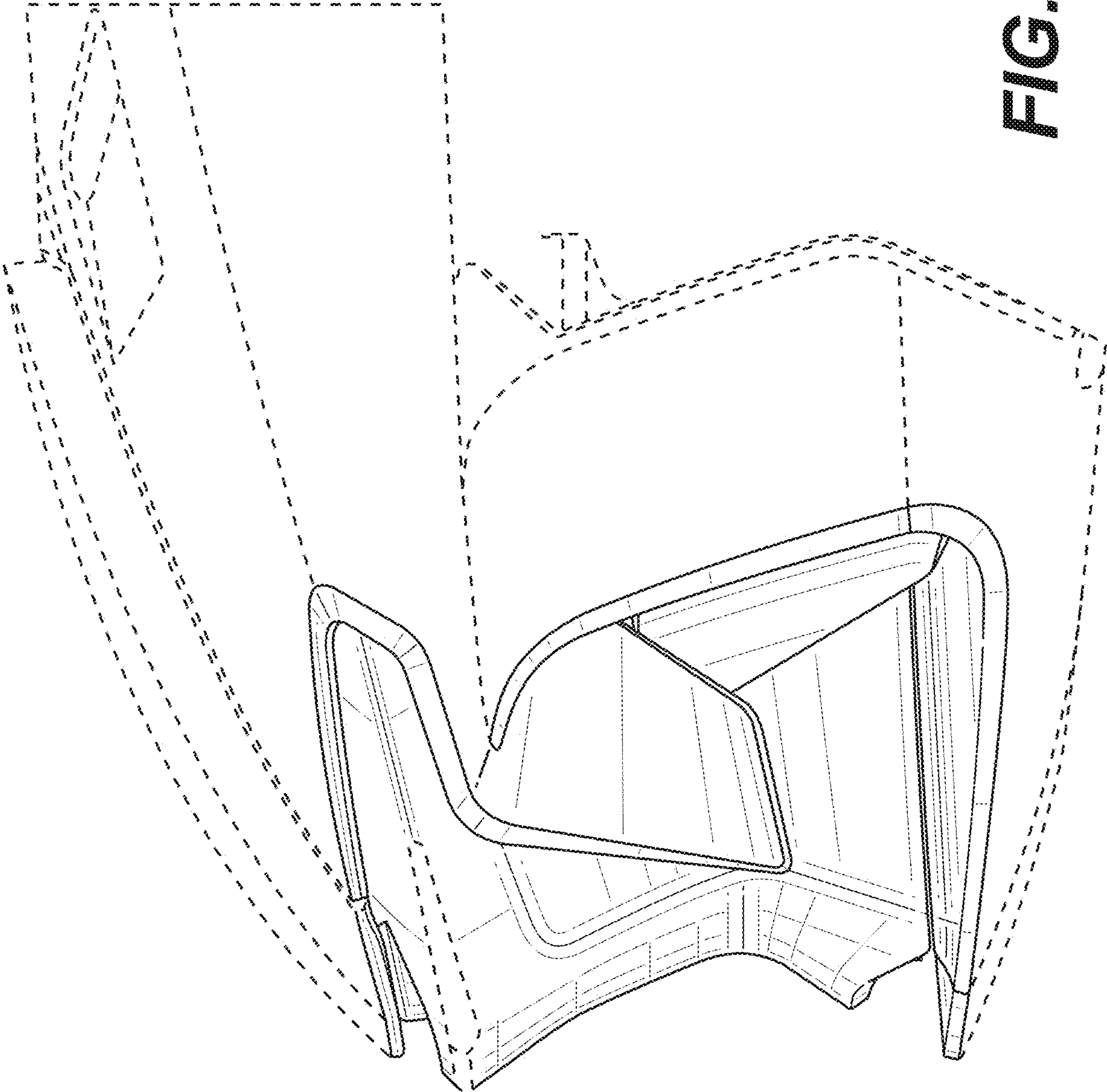


FIG. 3

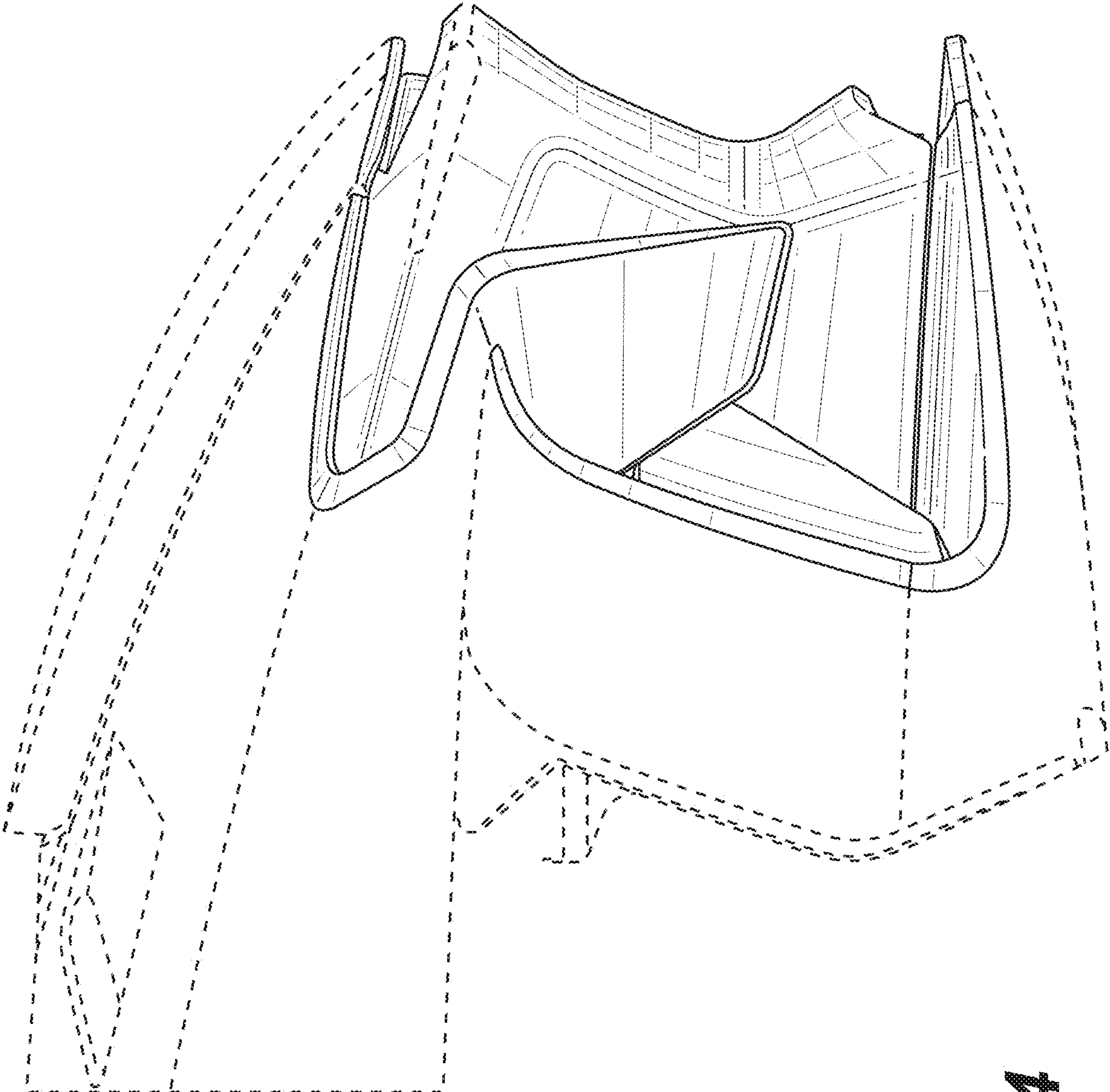


FIG. 4

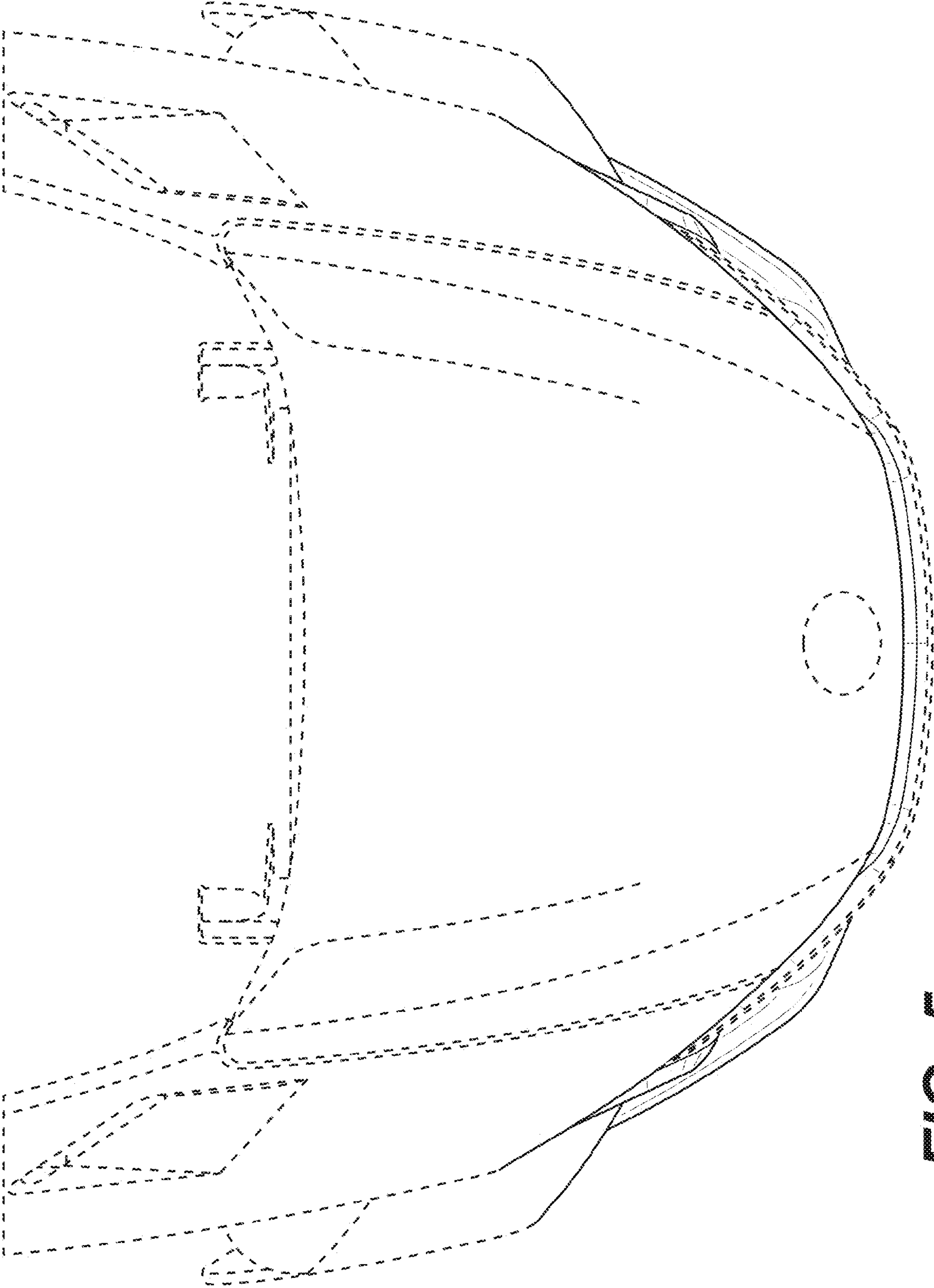


FIG. 5

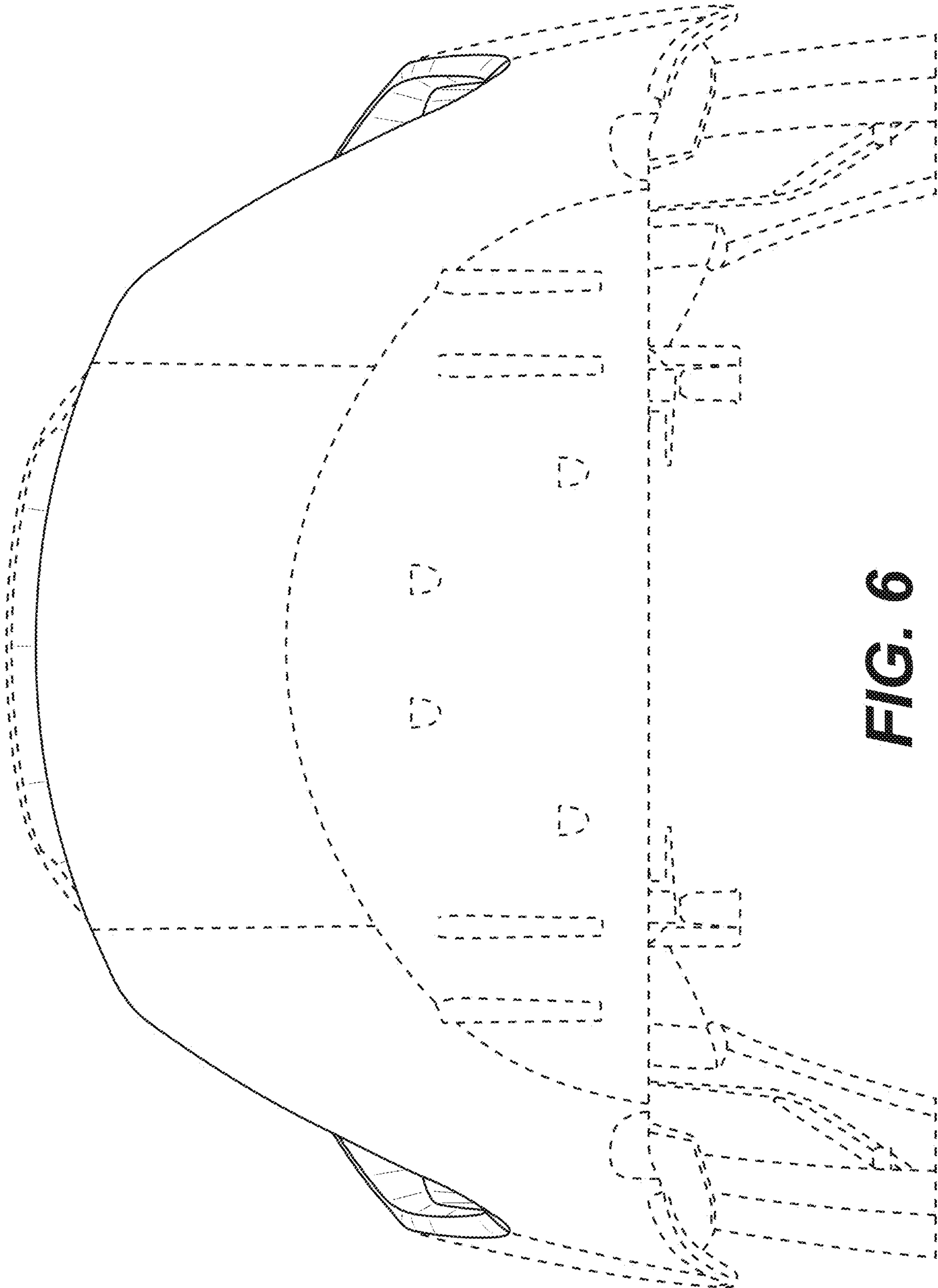


FIG. 6