



US00D908049S

(12) **United States Design Patent**
Ghiata

(10) **Patent No.:** **US D908,049 S**

(45) **Date of Patent:** **** Jan. 19, 2021**

(54) **FIST HITCH**

(71) Applicant: **John K. Ghiata**, Corona, CA (US)

(72) Inventor: **John K. Ghiata**, Corona, CA (US)

(**) Term: **15 Years**

(21) Appl. No.: **29/720,470**

(22) Filed: **Jan. 14, 2020**

Related U.S. Application Data

(63) Continuation-in-part of application No. 29/642,403, filed on Mar. 29, 2018, now abandoned.

(51) **LOC (13) Cl.** **12-16**

(52) **U.S. Cl.**
USPC **D12/162**

(58) **Field of Classification Search**
USPC D12/159-163, 167, 169, 172, 223,
D12/400-415; 280/402, 403, 404, 405.1,
280/405.2, 407, 407.1, 416.2, 455.1,
280/491.5, 186, 433, 434; D11/60, 136,
D11/149, 150, 104; D21/483, 384, 418,
D21/621; D2/616, 615; D20/10, 19, 21,
D20/29-33, 99; D1/109, 108
CPC . B60D 1/60; B60D 1/065; B60D 1/00; B60D
1/06

See application file for complete search history.

(56) **References Cited**

U.S. PATENT DOCUMENTS

D249,400 S	9/1978	Pearson	
D260,626 S *	9/1981	Kadar	D11/160
4,378,215 A *	3/1983	Sparks	G09B 21/003 428/13
D271,577 S *	11/1983	Culkin	D11/104
D288,076 S	2/1987	Wheeler	
D306,292 S *	2/1990	Blinn	379/434
D342,041 S *	12/1993	Brennan	D11/131
D346,046 S *	4/1994	Guilbault	D29/116.3

D358,462 S	5/1995	Ball	
D463,542 S *	9/2002	Marchiano	D23/328
D464,084 S *	10/2002	Phillips	D11/160
D480,016 S	9/2003	Plank et al.	
D480,017 S	9/2003	Plank	
D480,018 S	9/2003	Plank	
D481,329 S	10/2003	Plank et al.	
D516,630 S *	3/2006	Noh	D20/33

(Continued)

OTHER PUBLICATIONS

BigMouth Inc The Beast Giant Fist Shaped Drink Cooler, Amazon.com, Date First Available: May 9, 2012, [online], [site visited Oct. 13, 2020]. <URL: https://www.amazon.com/BigMouth-Inc-Shaped-Cooler-Bottle/dp/B0081TOXKK> (Year: 2012).*

(Continued)

Primary Examiner — T Chase Nelson

Assistant Examiner — Jonathan J. Han

(74) *Attorney, Agent, or Firm* — Kirk A. Buhler; Buhler & Associates Patenting

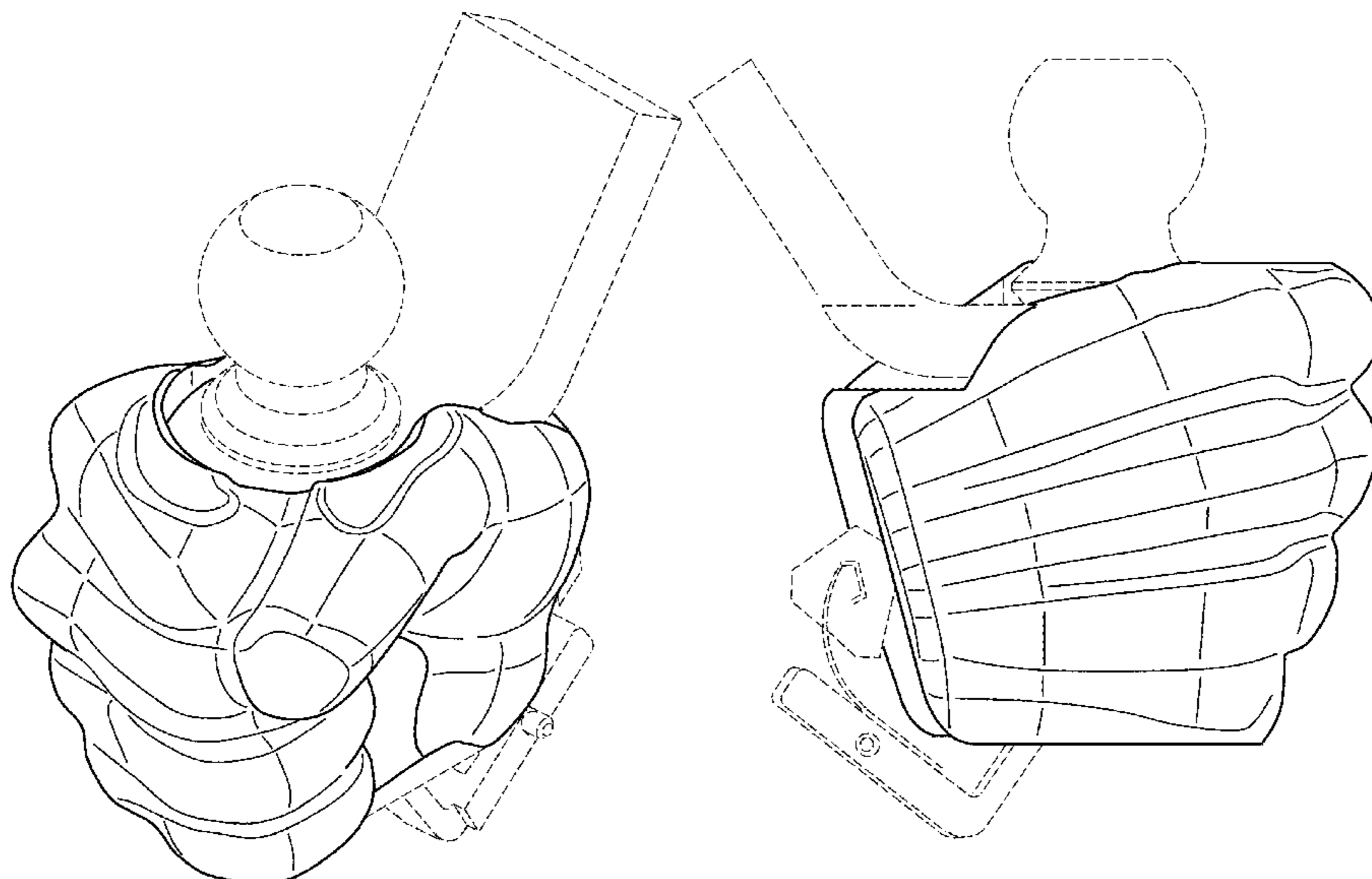
(57) **CLAIM**

The ornamental design for a fist hitch, as shown and described.

DESCRIPTION

FIG. 1 is a top perspective view of a fist hitch, showing my new design;
FIG. 2 is a left side elevation view thereof;
FIG. 3 is a right side elevation view thereof;
FIG. 4 is a front elevation view thereof;
FIG. 5 is a rear elevation view thereof;
FIG. 6 is a top plan view thereof;
FIG. 7 is a bottom plan view thereof; and,
FIG. 8 is a sectional view taken along lines 8-8 in FIG. 3. The broken lines depict environmental subject matter and form no part of the claimed design.

1 Claim, 8 Drawing Sheets



(56)

References Cited

U.S. PATENT DOCUMENTS

D531,859 S 11/2006 Bogumil et al.
 D543,789 S 6/2007 Gilley et al.
 D585,260 S 1/2009 Smith et al.
 D598,499 S * 8/2009 Capriola D19/80
 D613,336 S * 4/2010 Yu D19/140
 D616,507 S * 5/2010 Fisher D21/634
 D616,508 S * 5/2010 Fisher D21/634
 D622,630 S * 8/2010 De Felice D11/160
 D623,087 S 9/2010 Partida
 D625,653 S * 10/2010 De Felice D11/160
 8,141,281 B2 * 3/2012 Sample G09F 21/02
 40/586
 D662,553 S * 6/2012 Selbe D20/33
 D672,819 S * 12/2012 Bengyak D20/29
 D672,821 S * 12/2012 Bengyak D20/29
 D672,823 S * 12/2012 Bengyak D20/29
 D673,220 S * 12/2012 Bengyak D20/29
 D673,221 S * 12/2012 Bengyak D20/29
 D673,222 S * 12/2012 Bengyak D20/29
 D678,417 S * 3/2013 Bengyak D20/29
 D678,418 S * 3/2013 Bengyak D20/29
 D680,590 S * 4/2013 Bengyak D20/33
 D682,461 S 5/2013 Partida
 D687,495 S * 8/2013 Bengyak D20/29
 D710,449 S * 8/2014 Bengyak D20/29
 D712,482 S * 9/2014 Bengyak D20/29
 D729,704 S 5/2015 Song
 D743,010 S * 11/2015 Garcia D23/285
 D769,371 S * 10/2016 De Felice D20/33

D777,563 S * 1/2017 LaCastro D8/376
 D797,012 S 9/2017 DePietro et al.
 D799,119 S * 10/2017 Simmons D28/57
 D820,226 S * 6/2018 Adan Roses D13/171
 D827,487 S * 9/2018 van Langen D11/150
 D831,128 S * 10/2018 Bassett D21/483
 D841,930 S * 3/2019 Usov D1/108
 D865,577 S * 11/2019 Ghiata D12/162
 D869,943 S * 12/2019 La Castro D8/376
 D890,343 S * 7/2020 Varley D24/155

OTHER PUBLICATIONS

Fist Shaped Knuckle Punch Cool Grip Resin Shift Knob Universal MT-Silver, TopjdmStore.com, [online], [site visited Oct. 13, 2020]. <URL: <https://www.topjdmstore.com/products/fist-shaped-knuckle-punch-cool-grip-resin-shift-knob-universal-mt>> (Year: 2020).*

Fist Shaped Silver Plated Vesta—Marked Deponirt—German—Good Condition, WorthPoint.com, [online], [site visited Oct. 13, 2020]. <URL: <https://www.worthpoint.com/worthopedia/fist-shaped-silver-plated-vesta-1617840835>> (Year: 2020).*

Catchin24 Genuine Hulk Metal Fist Keychain, Amazon.in, Date First Available: Jun. 6, 2018, [online], [site visited Oct. 13, 2020]. <URL: <https://www.amazon.in/Catchin24-Genuine-Metal-Keychain-asorted/dp/B07DKGWXTL>> (Year: 2018).*

Outdoor Modern Famous Metal Art Sculpture of Fist, Alibaba.com, [online], [site visited Oct. 13, 2020]. <URL: https://www.alibaba.com/product-detail/Outdoor-Modern-Famous-Metal-Art-Sculpture_60045287177.html> (Year: 2020).*

* cited by examiner

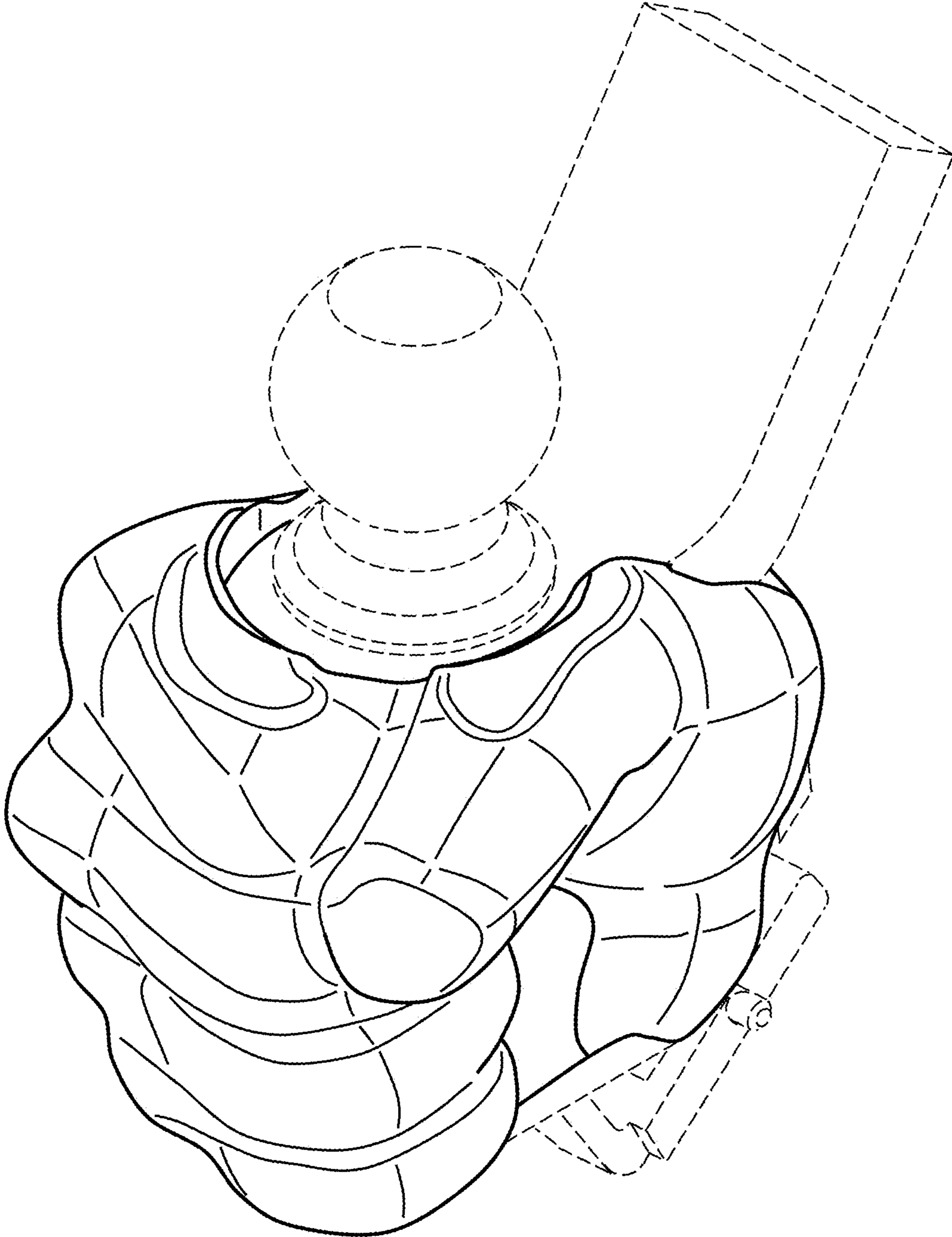


FIG. 1

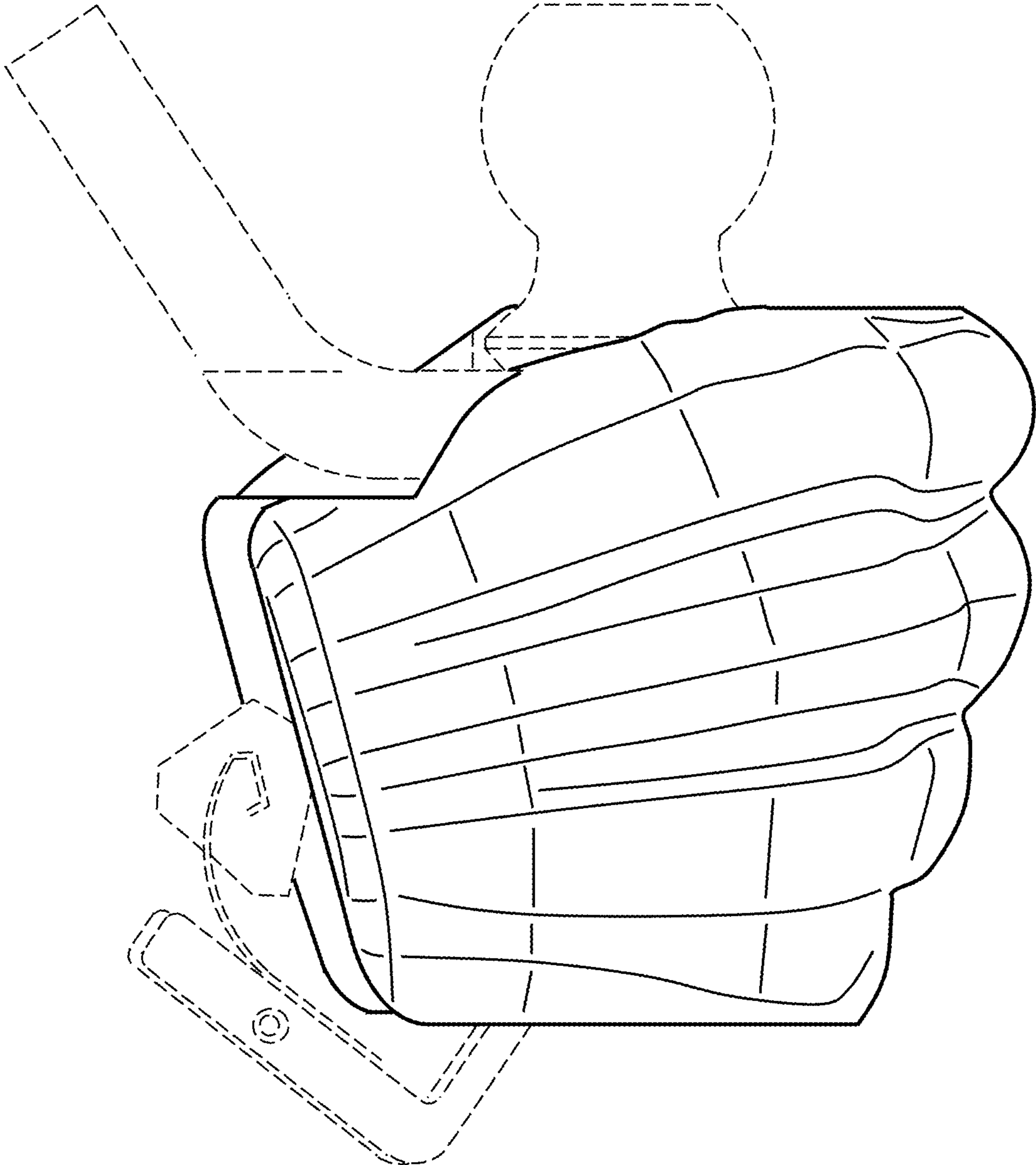


FIG. 2

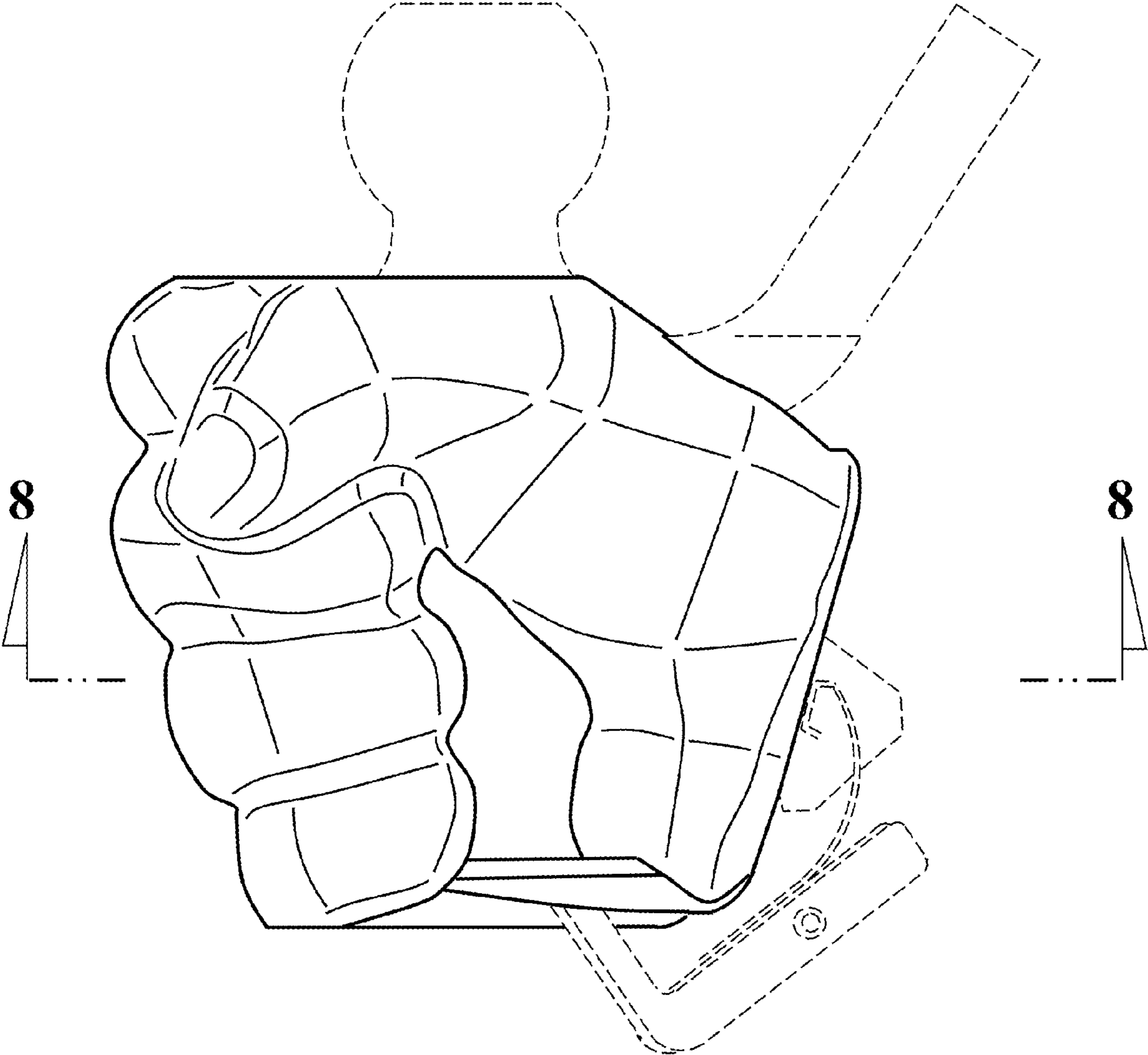


FIG. 3

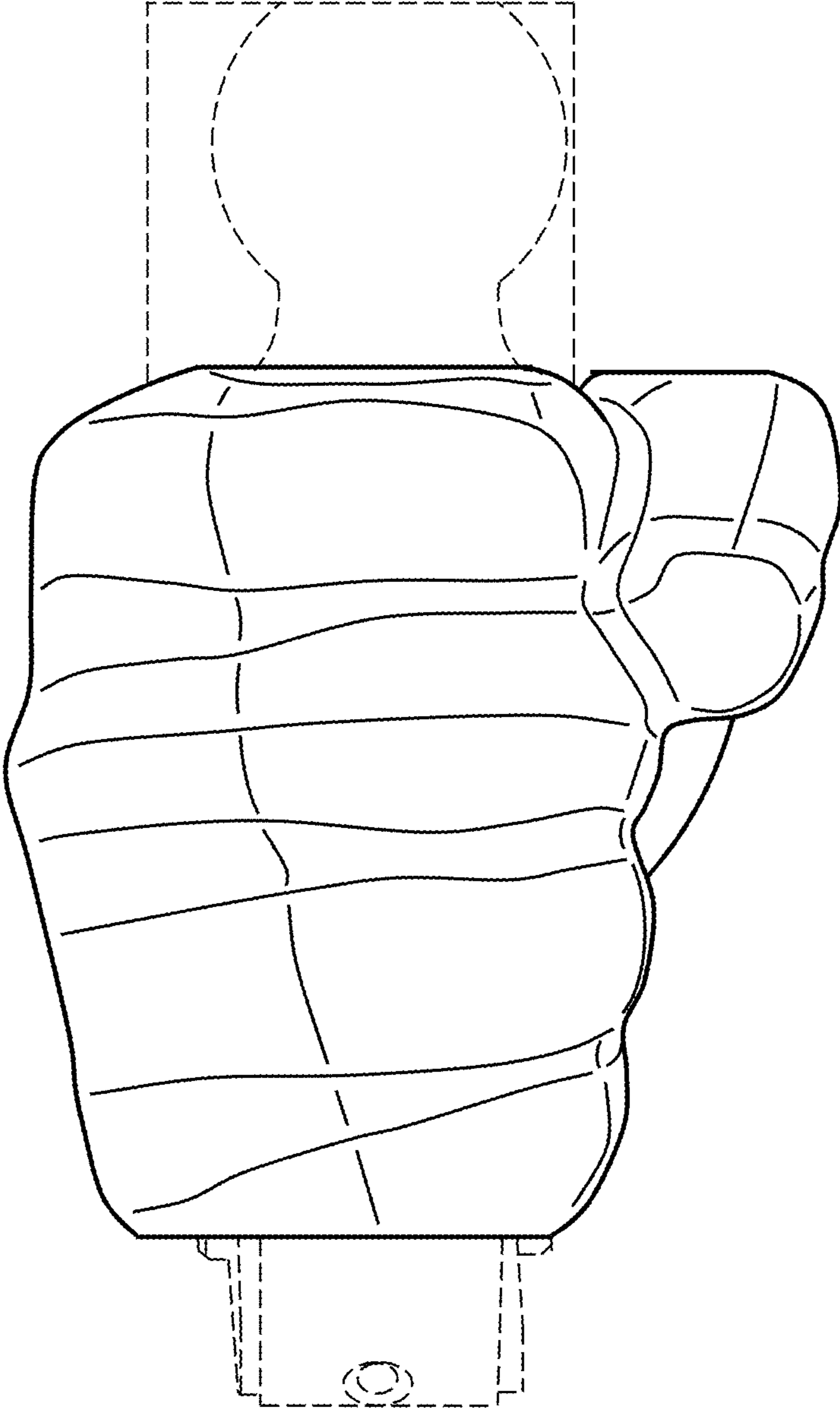


FIG. 4

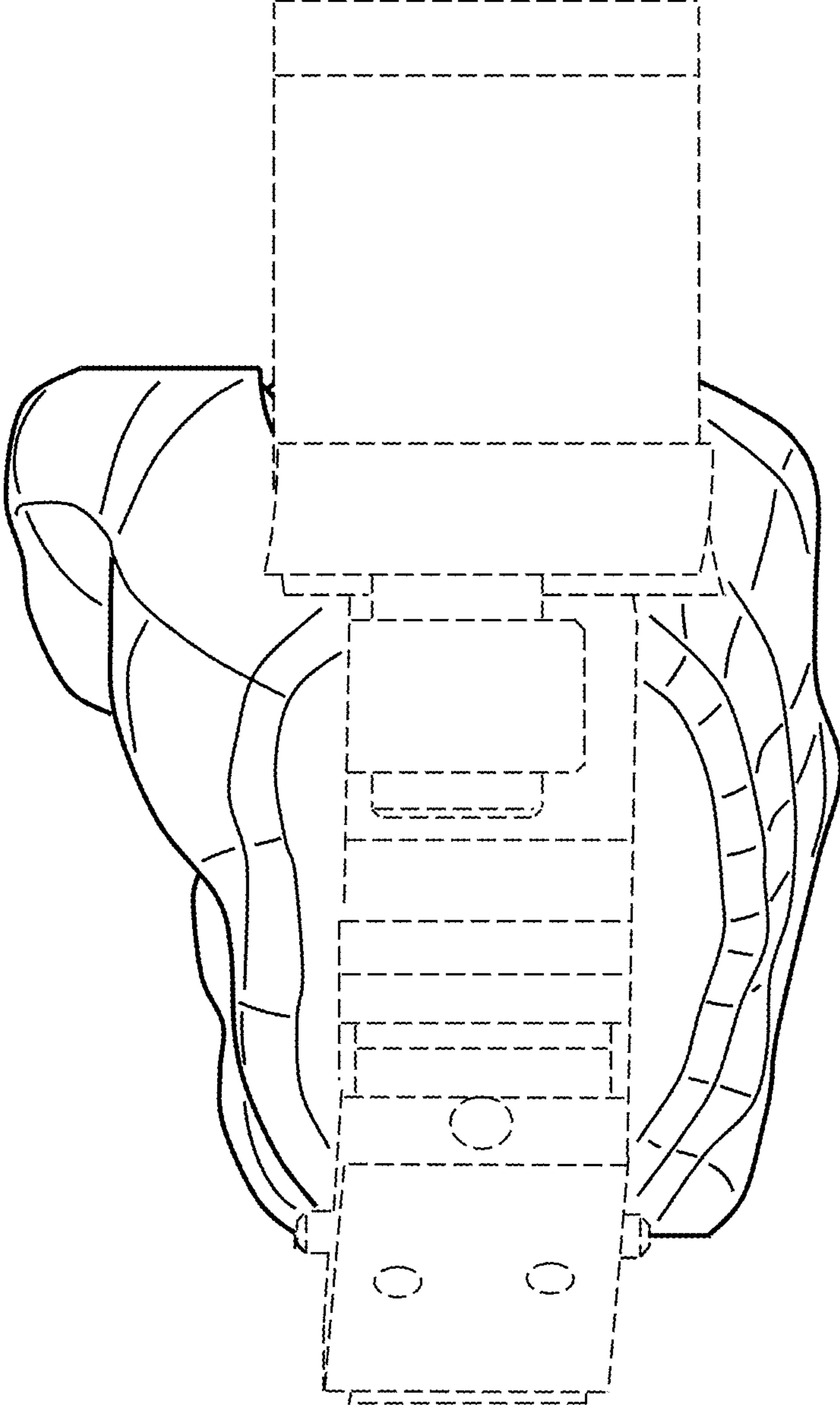


FIG. 5

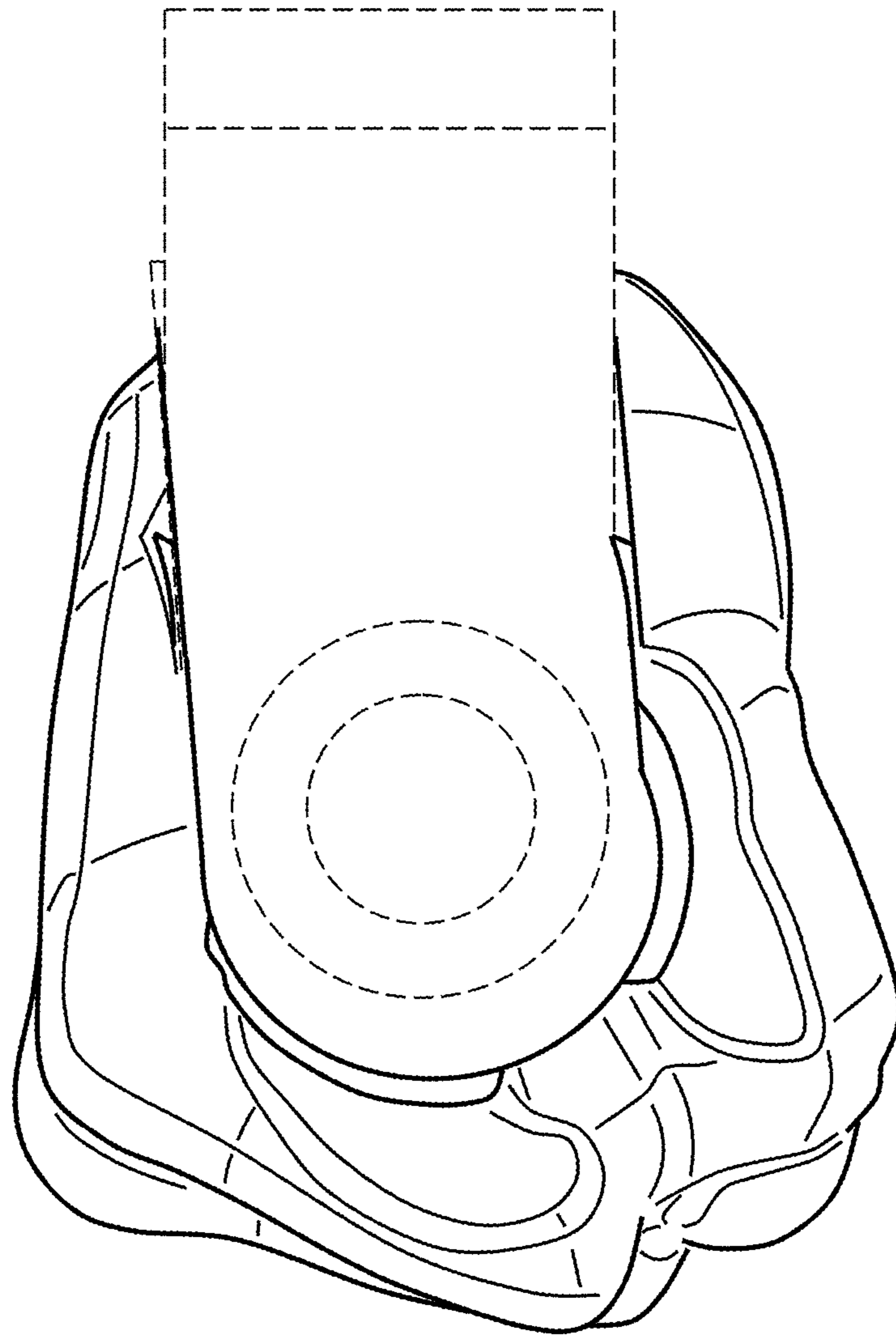


FIG. 6

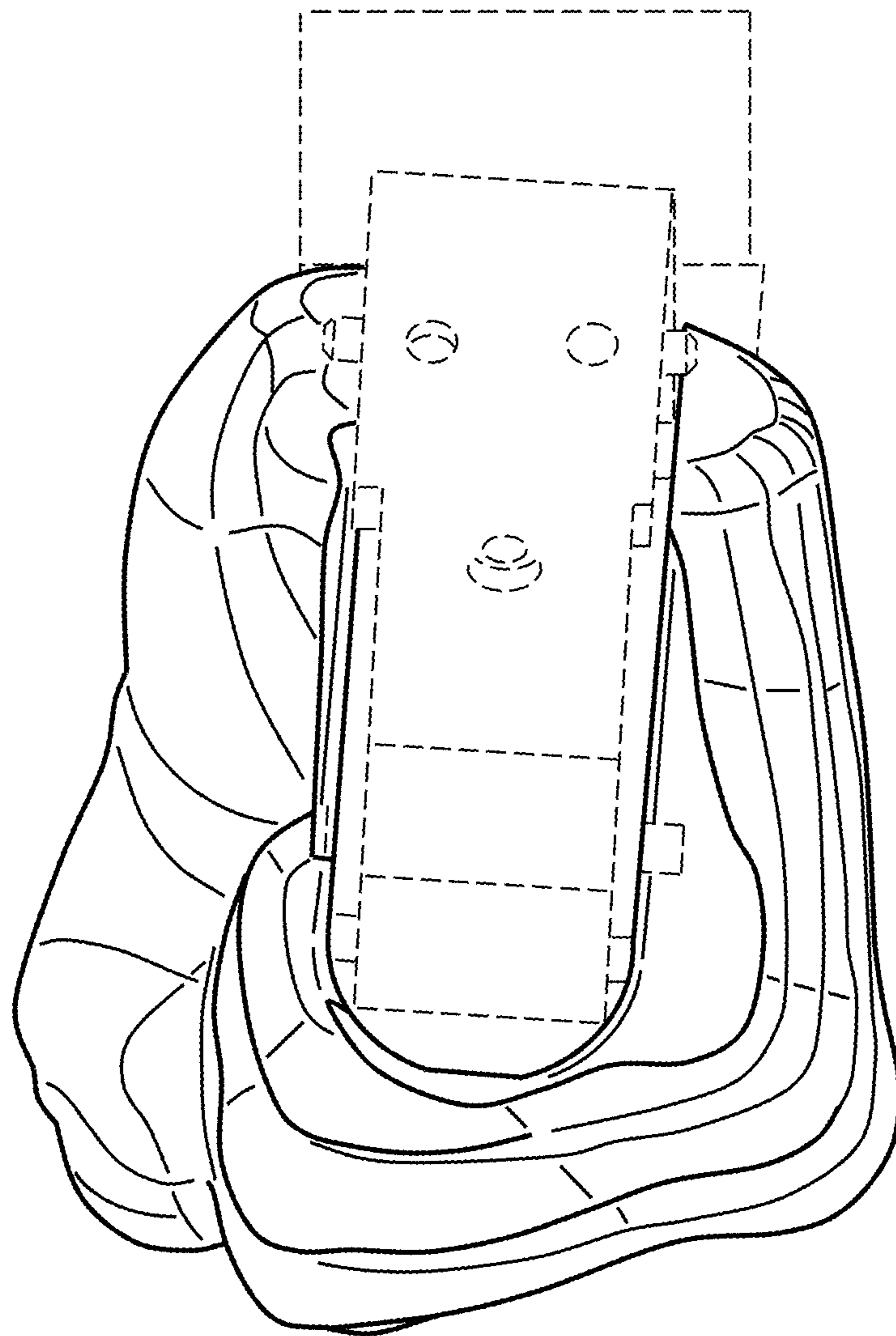


FIG. 7

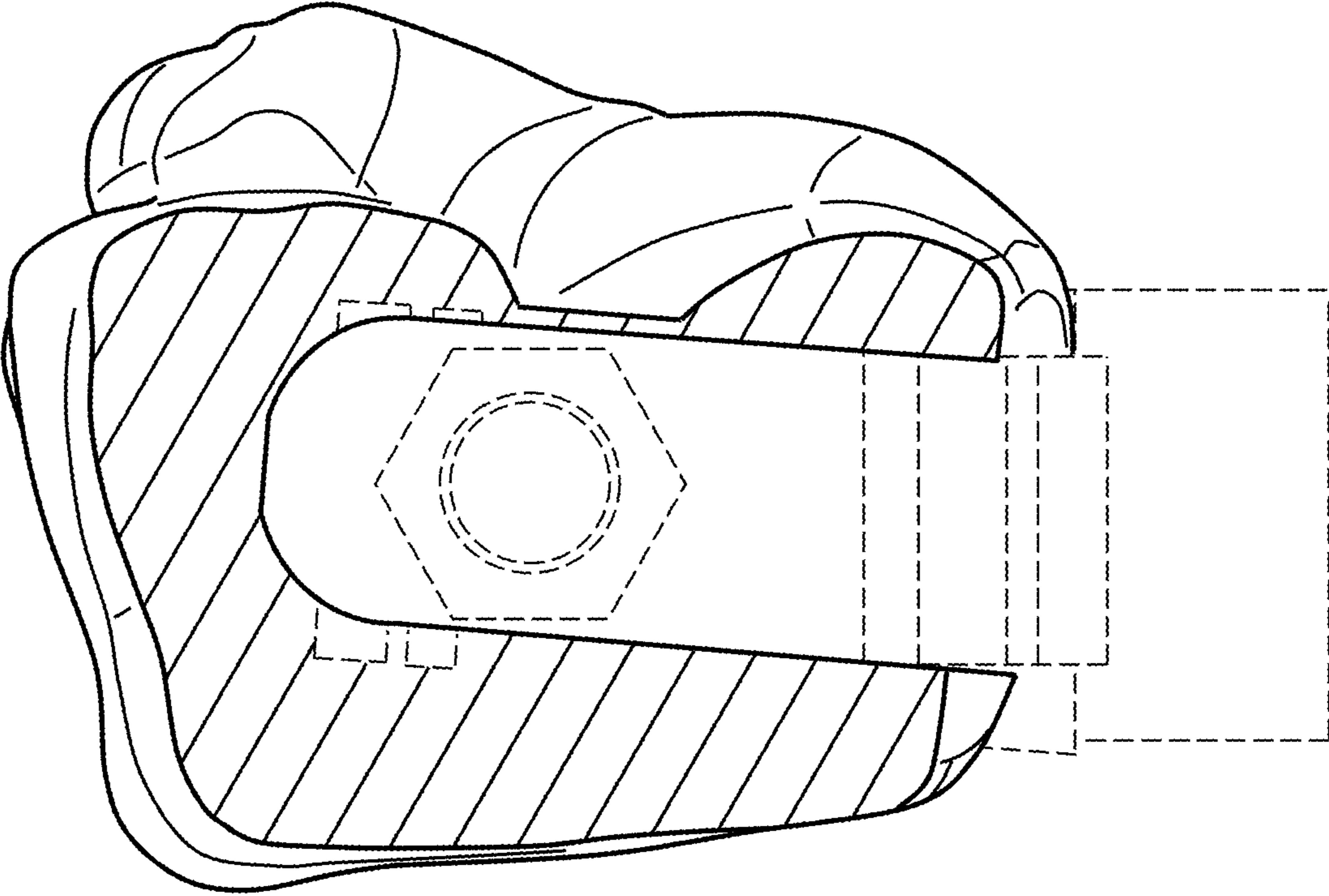


FIG. 8