



US00D908047S

(12) **United States Design Patent**
Seljestad

(10) **Patent No.:** **US D908,047 S**

(45) **Date of Patent:** **** Jan. 19, 2021**

- (54) **HAND POWERED TRIKE**
- (71) Applicant: **Gregory Allan Seljestad**, Nibley, UT (US)
- (72) Inventor: **Gregory Allan Seljestad**, Nibley, UT (US)
- (**) Term: **15 Years**
- (21) Appl. No.: **29/698,849**
- (22) Filed: **Jul. 19, 2019**
- (51) **LOC (13) Cl.** **12-11**
- (52) **U.S. Cl.**
USPC **D12/112**
- (58) **Field of Classification Search**
USPC D12/1, 107, 110–114, 129, 130, 133;
D21/412, 414, 419, 423–428, 431–435
CPC ... B62K 5/05; B62K 5/08; B62K 3/005; B62J
9/21; B62M 1/14; B62M 1/24
See application file for complete search history.

D369,130 S *	4/1996	Cummings	D12/112
D460,723 S *	7/2002	Smit	D12/112
D465,439 S *	11/2002	van de Vrie	D12/112
D485,514 S *	1/2004	Berg	D12/112
D493,391 S *	7/2004	Gunter	D12/112
D516,962 S *	3/2006	Oosterveer	D12/112
D517,453 S *	3/2006	Oosterveer	D12/112
D608,250 S *	1/2010	Van De Vrie	D12/112
D653,996 S *	2/2012	Webster	D12/112
D678,130 S *	3/2013	Webster	D12/112
D680,913 S *	4/2013	Lofgren	D12/112
D692,505 S *	10/2013	Jiang	D21/426
D692,506 S *	10/2013	Jiang	D21/426
D693,415 S *	11/2013	Doherty	D21/435
D776,016 S *	1/2017	Androski	D12/112
D777,608 S *	1/2017	Androski	D12/112
D824,291 S *	7/2018	Hsieh	D12/112
D857,558 S *	8/2019	Allais	D12/112
D869,342 S *	12/2019	Heidl	D12/112
D872,657 S *	1/2020	Li	D12/112

* cited by examiner

Primary Examiner — Darlington Ly

(57) **CLAIM**

The ornamental design for a hand powered trike, as shown and described.

DESCRIPTION

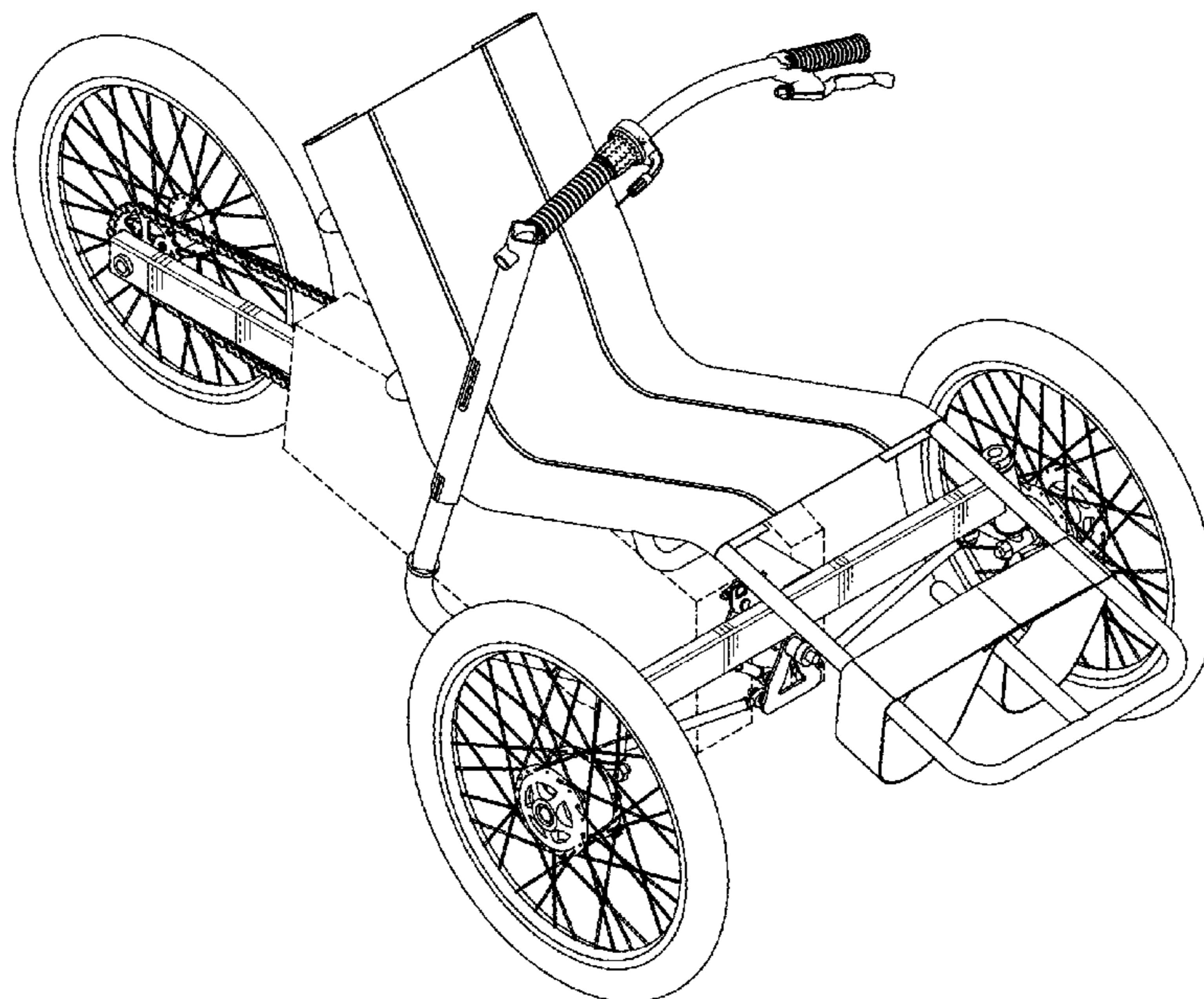
FIG. 1 is a front perspective view of a hand powered trike embodying my new design;
 FIG. 2 is a front elevation view thereof;
 FIG. 3 is a rear elevation view thereof;
 FIG. 4 is a left side elevation view thereof;
 FIG. 5 is a right side elevation view thereof;
 FIG. 6 is a top plan view thereof; and,
 FIG. 7 is a bottom plan view thereof.
 The broken lines in the drawings illustrate portions of the hand powered trike that form no part of the claimed design.

1 Claim, 7 Drawing Sheets

(56) **References Cited**

U.S. PATENT DOCUMENTS

3,913,929 A *	10/1975	Matsuura	B62K 5/08 280/7.14
D239,644 S *	4/1976	Matsuura	D12/112
D290,451 S *	6/1987	Engum	280/259
4,705,284 A *	11/1987	Stout	A61G 5/025 280/250.1
D306,988 S *	4/1990	Cummings	D12/112
4,917,396 A *	4/1990	Meneses	B62K 5/05 280/267
D320,586 S *	10/1991	Tellinghuisen	D12/112
D320,963 S *	10/1991	Krieger	D12/112
D328,266 S *	7/1992	Cummings	D12/112
5,263,732 A *	11/1993	Harmeyer	B62K 5/05 280/103
D357,215 S *	4/1995	Cummings	D12/112



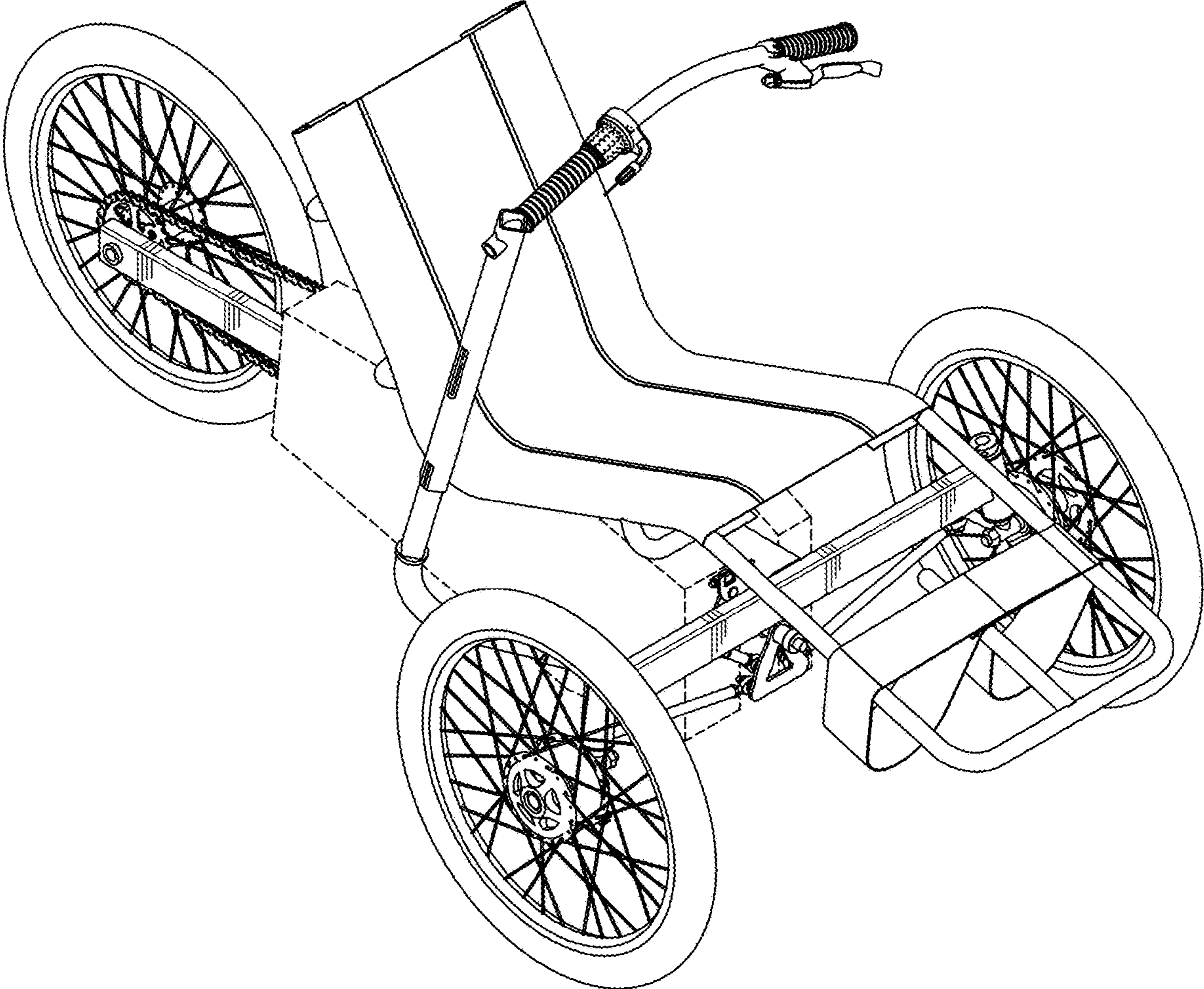


FIGURE 1

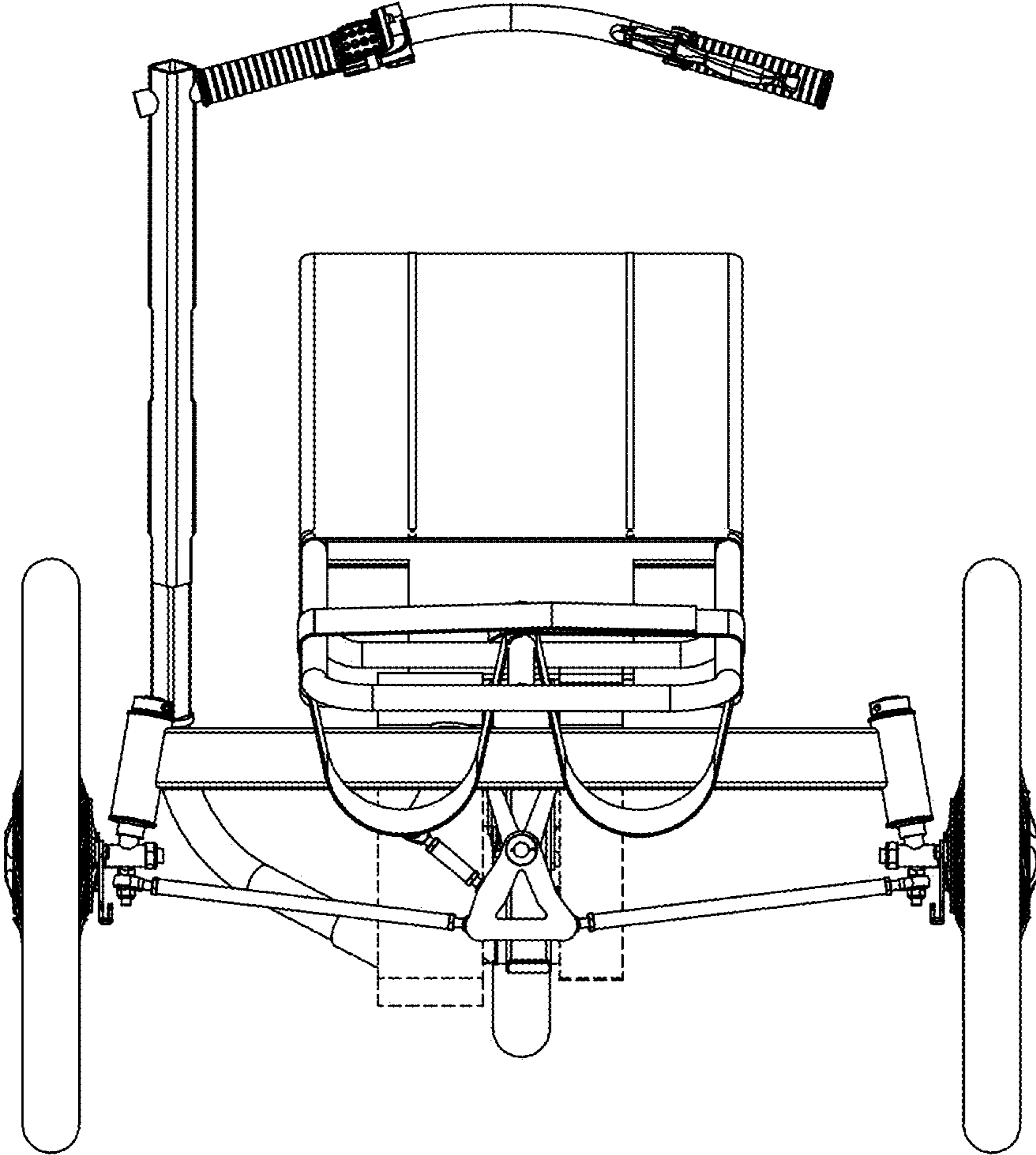


FIGURE 2

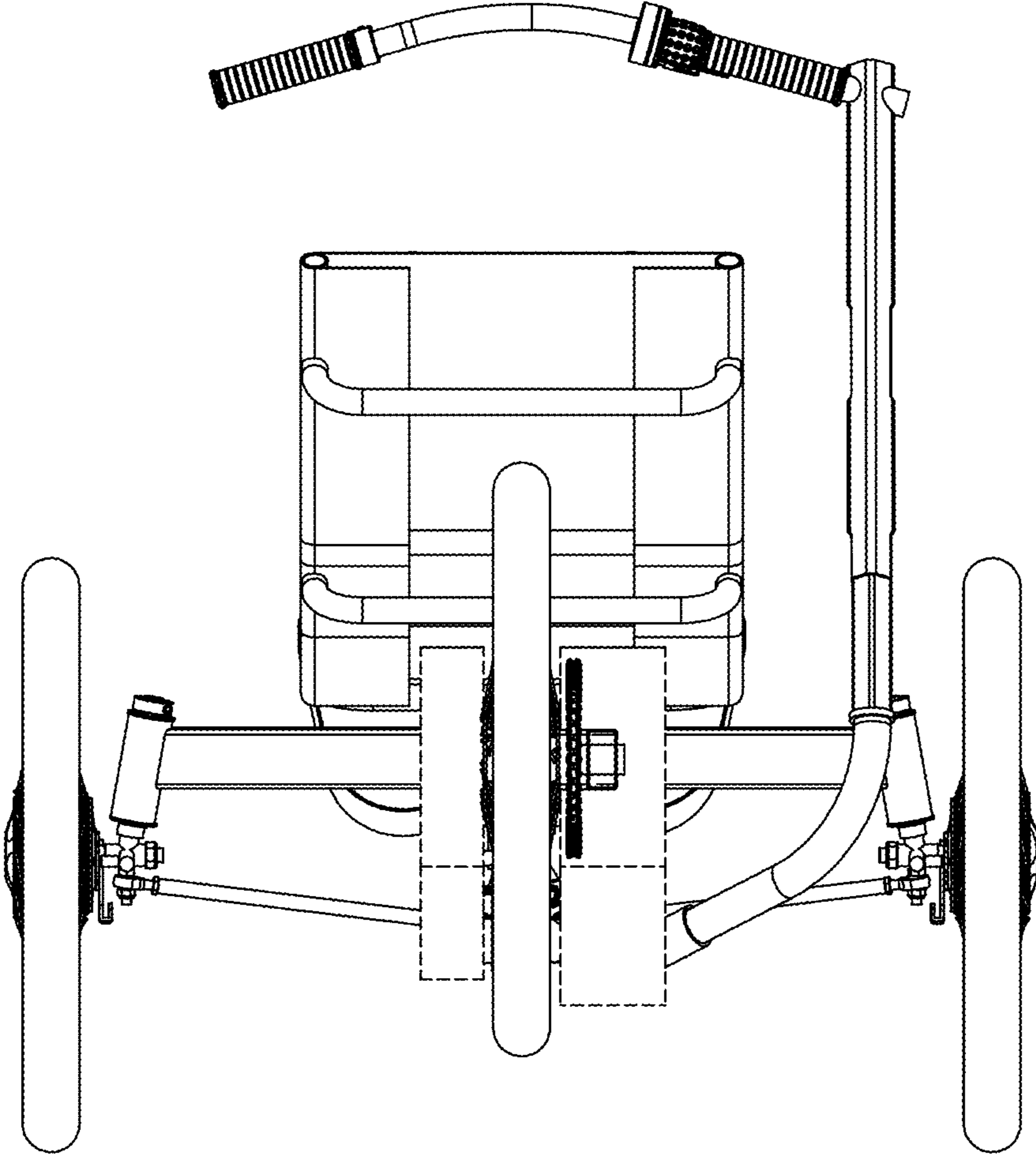


FIGURE 3

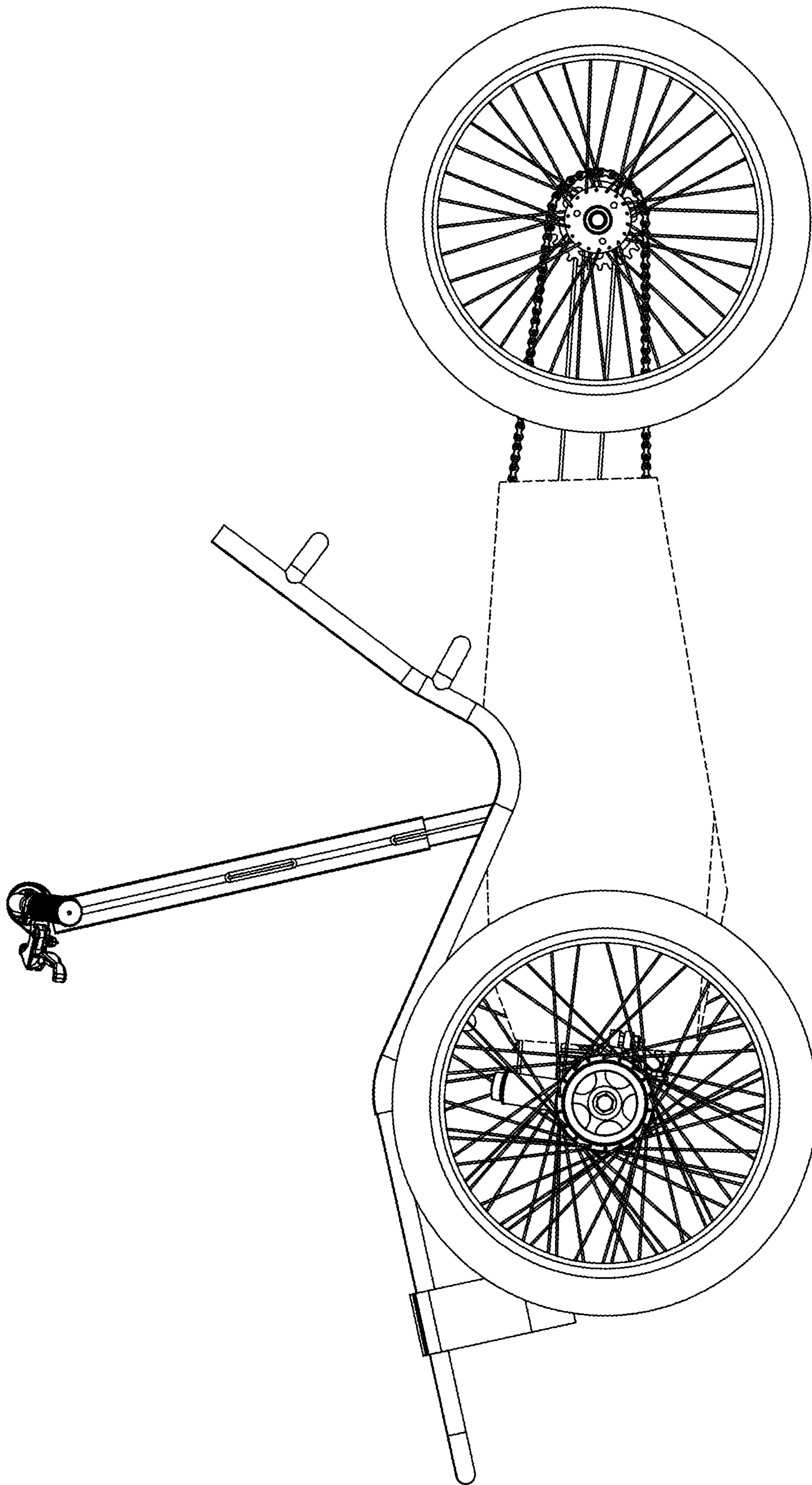


FIGURE 4

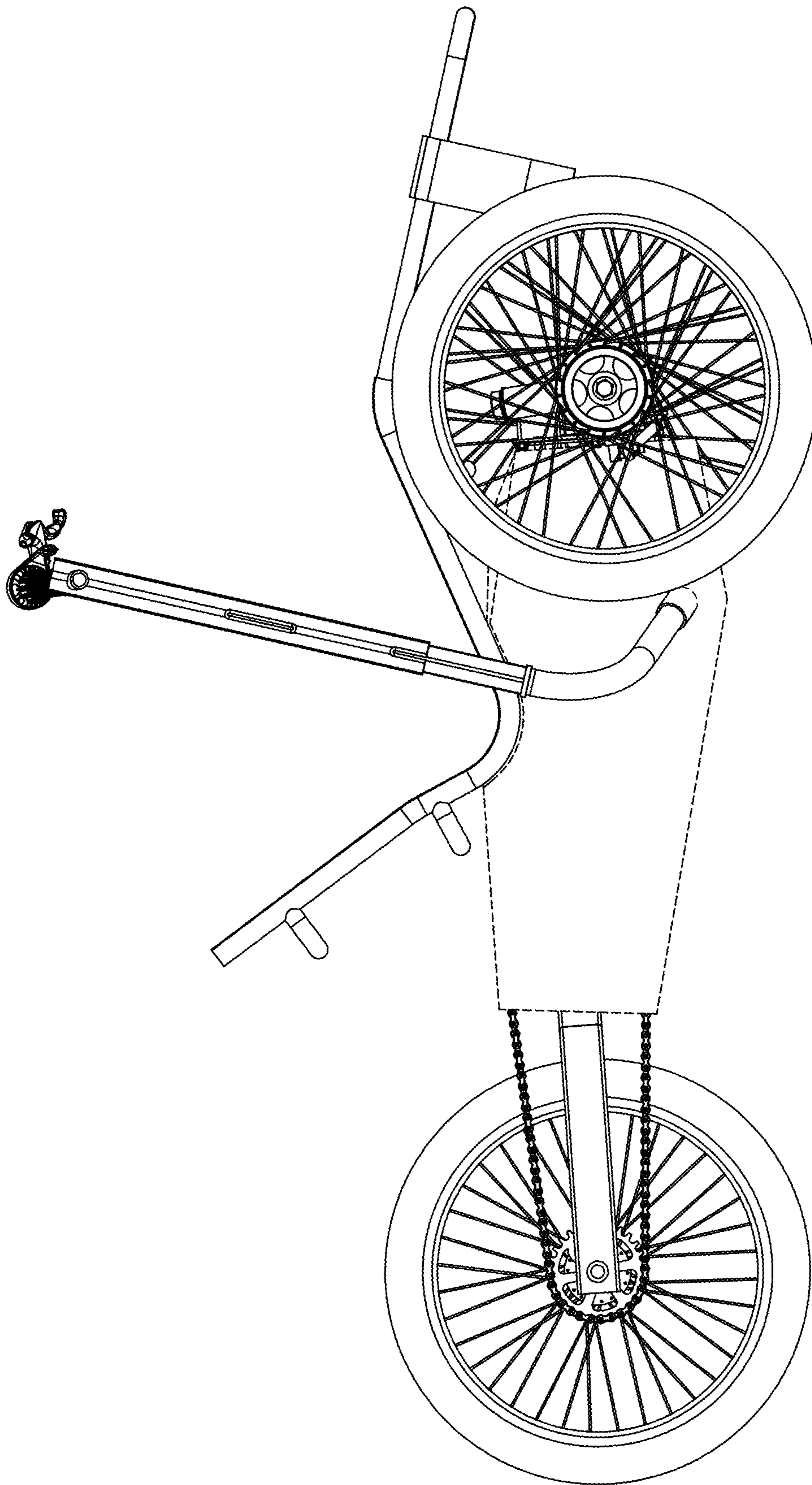


FIGURE 5

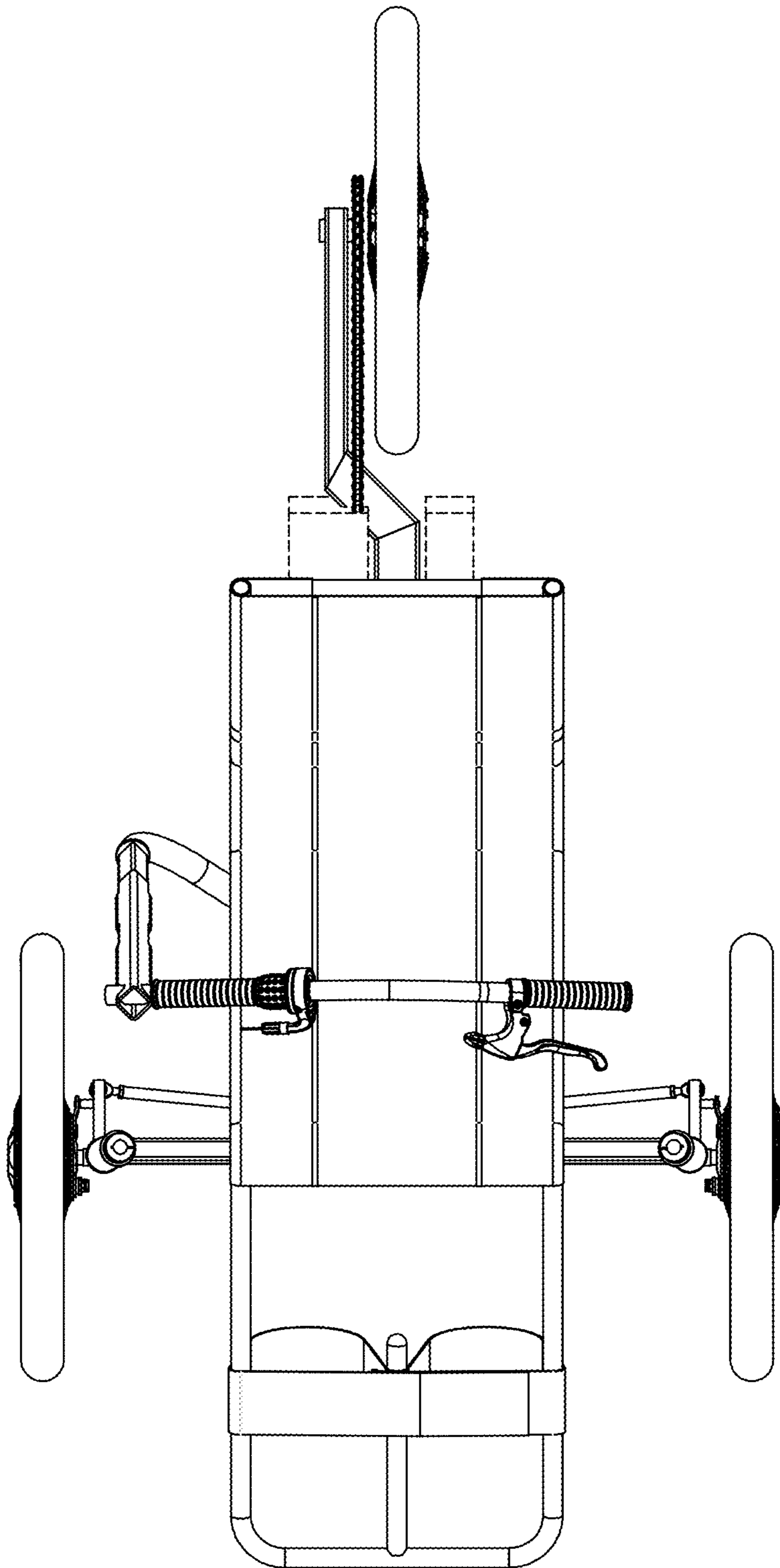


FIGURE 6

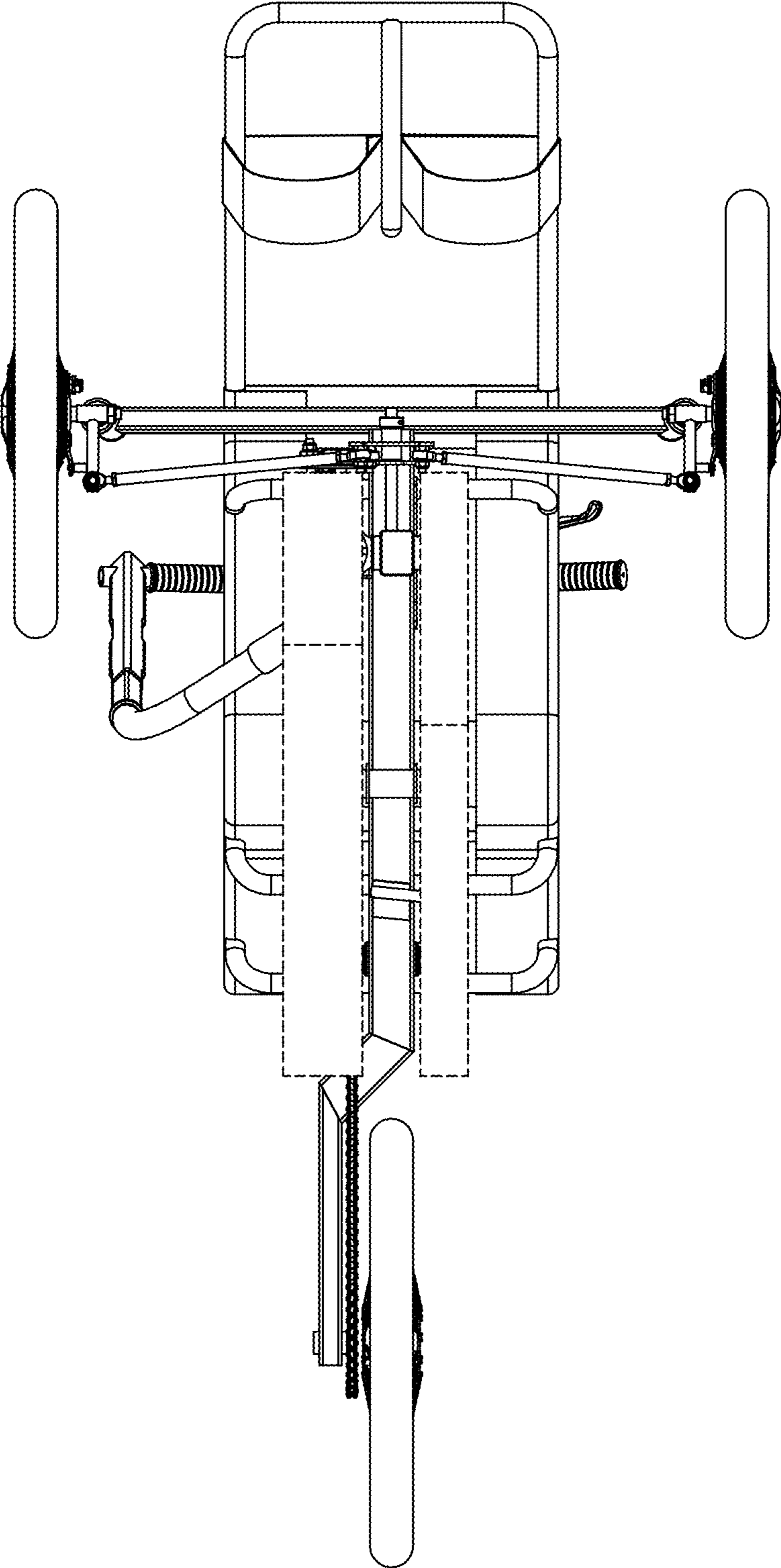


FIGURE 7