



US00D908046S

(12) **United States Design Patent** (10) **Patent No.:** **US D908,046 S**
Callahan et al. (45) **Date of Patent:** **** Jan. 19, 2021**

(54) **BICYCLE FRAME**
(71) Applicant: **Specialized Bicycle Components, Inc.**,
Morgan Hill, CA (US)
(72) Inventors: **Jean-Luc Callahan**, San Jose, CA
(US); **Nils Erik Nohlin**, San Francisco,
CA (US); **Christopher Paul D’Aluisio**,
Corralitos, CA (US)
(73) Assignee: **SPECIALIZED BICYCLE**
COMPONENTS, INC., Morgan Hill,
CA (US)

D774,970 S * 12/2016 D’Aluisio D12/111
10,150,526 B2 * 12/2018 McAndrews B62J 1/06
2002/0063410 A1 * 5/2002 Buckmiller B62K 19/16
280/274
2011/0187077 A1 * 8/2011 Appleman B62K 3/00
280/277

FOREIGN PATENT DOCUMENTS

CN 201330598444 * 12/2013
CN 201530447031 * 11/2015
CN 201730166835 * 5/2017

OTHER PUBLICATIONS

Youtube, 2017 Specialized Roubaix Comp, posted Apr. 4, 2017,
[online], [visited Sep. 9, 2020]. Internet, <URL: <https://www.youtube.com/watch?v=7R0oXsLSJKo>> (Year: 2017).*

(Continued)

Primary Examiner — Sheryl Lane
Assistant Examiner — Samantha N Wood
(74) *Attorney, Agent, or Firm* — Michael Best &
Friedrich LLP

(**) Term: **15 Years**
(21) Appl. No.: **29/685,486**
(22) Filed: **Mar. 28, 2019**
(51) **LOC (13) Cl.** **12-11**
(52) **U.S. Cl.**
USPC **D12/111**
(58) **Field of Classification Search**
USPC D12/111, 107, 114, 117, 118, 119;
D21/419, 424, 697, 662, 663, 664
CPC . B62K 3/00; B62K 3/005; B62K 3/02; B62K
3/04; B62K 11/00; B62K 11/02; B62K
11/10; B62K 11/14; B62K 21/12; B62K
21/16; B62K 21/26; B62K 21/02; B62K
21/04; B62K 21/06; B62K 15/006; B62K
19/02; B62K 19/04; B62K 19/42; B62K
19/08; B62K 25/04; B62K 25/08; B62K
25/16; B62K 25/30
See application file for complete search history.

(57) **CLAIM**

We claim the ornamental design for a bicycle frame, as
shown and described.

DESCRIPTION

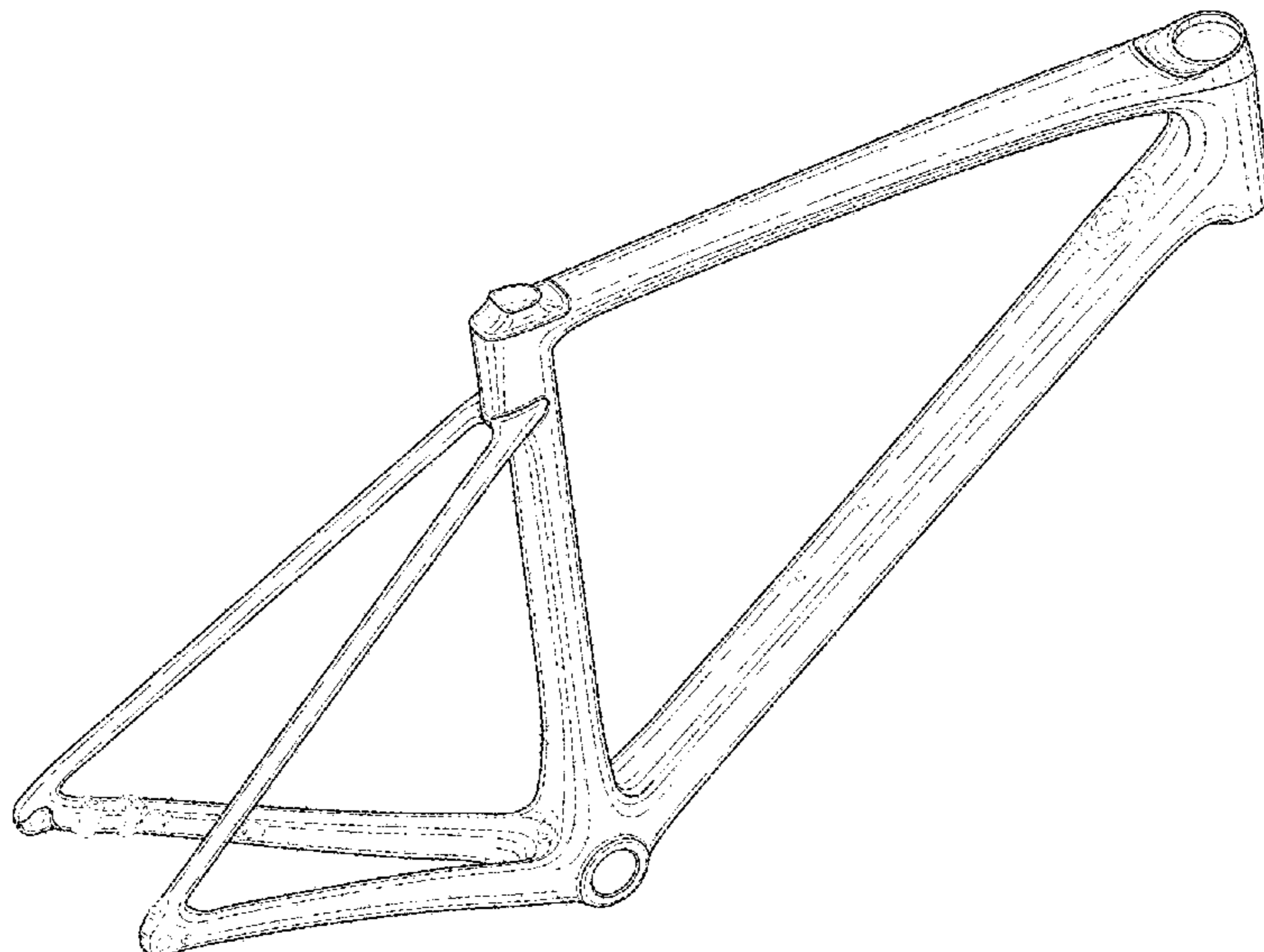
FIG. 1 is a perspective view of a bicycle frame embodying
the present invention.
FIG. 2 is a right side view of the design shown in FIG. 1.
FIG. 3 is a left side view of the design shown in FIG. 1.
FIG. 4 is a front view of the design shown in FIG. 1.
FIG. 5 is a rear view of the design shown in FIG. 1.
FIG. 6 is top view of the design of FIG. 1; and,
FIG. 7 is a bottom view of the design of FIG. 1.
The portions of the bicycle frame shown in broken lines
form no part of the claimed design.

(56) **References Cited**

U.S. PATENT DOCUMENTS

D343,600 S * 1/1994 Moore D12/111
D719,880 S * 12/2014 Juarez D12/111
D726,075 S * 4/2015 D’Aluisio D12/111
D734,218 S * 7/2015 D’Aluisio D12/111

1 Claim, 7 Drawing Sheets



(56)

References Cited

OTHER PUBLICATIONS

Youtube, Specialized Roubaix Comp Carbon 2019, posted Nov. 2, 2018, [online], [visited Sep. 9, 2020]. Internet, <URL: <https://www.youtube.com/watch?v=80y1krliGtw>> (Year: 2018).*

Amazon, SAVADECK Carbon Road Bike, posted Nov. 10, 2017, [online], [visited 09/096/2020]. Internet, <URL: <https://www.amazon.co.uk/SAVA-Phantom3-0-SHIMANO-Ultegra-MICHELIN/dp/B01N4AWJYU/ref>> (Year: 2017).*

Amazon, Eurobike Road Bike, posted Mar. 31, 2018, [online], [visited Sep. 9, 2020]. Internet, <URL: <https://www.amazon.co.uk/Eurobike-XC7000-Speed-Aluminum-Bicycle/dp/B07DNTQM12/ref>> (Year: 2018).*

* cited by examiner

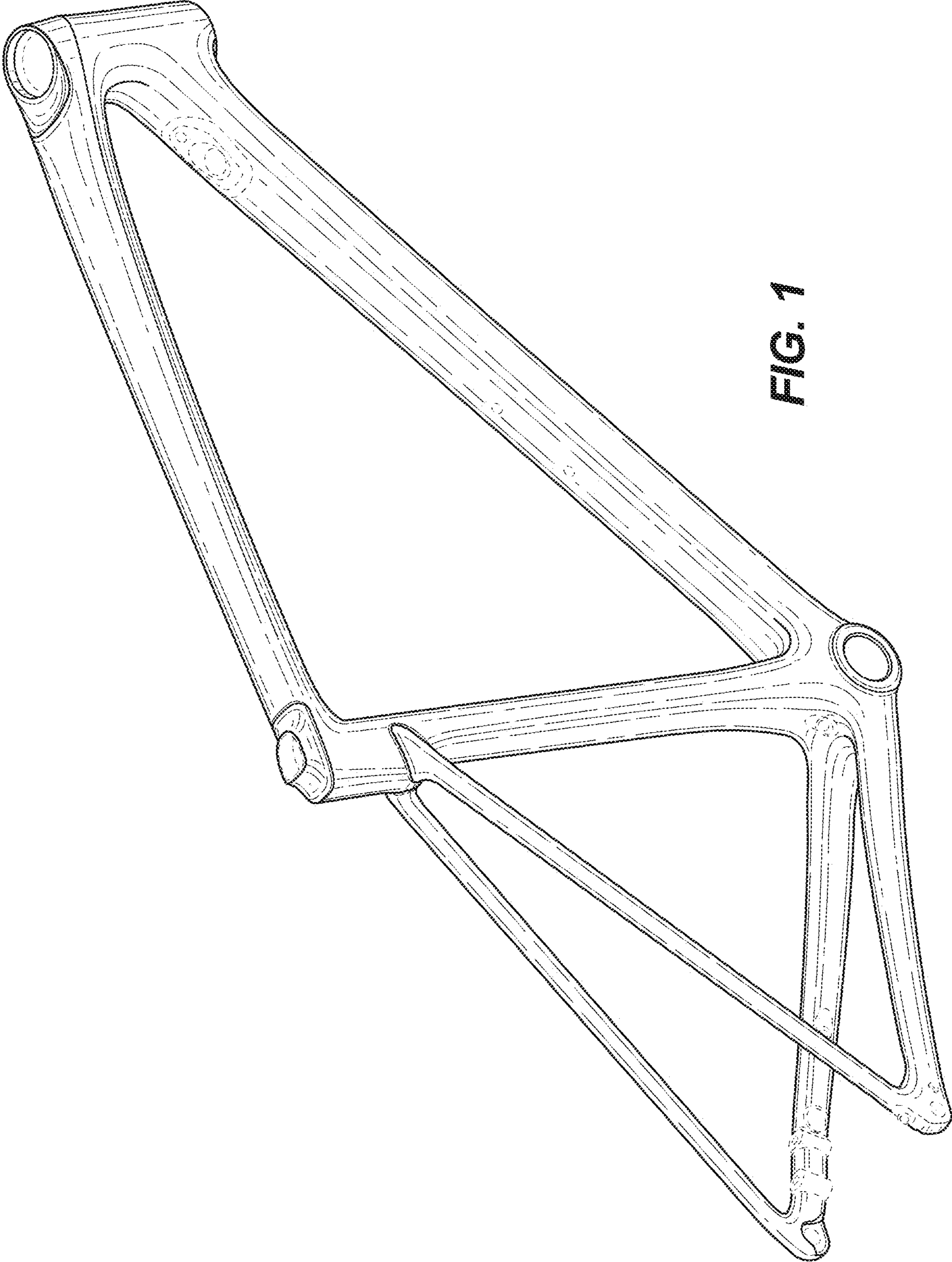


FIG. 1

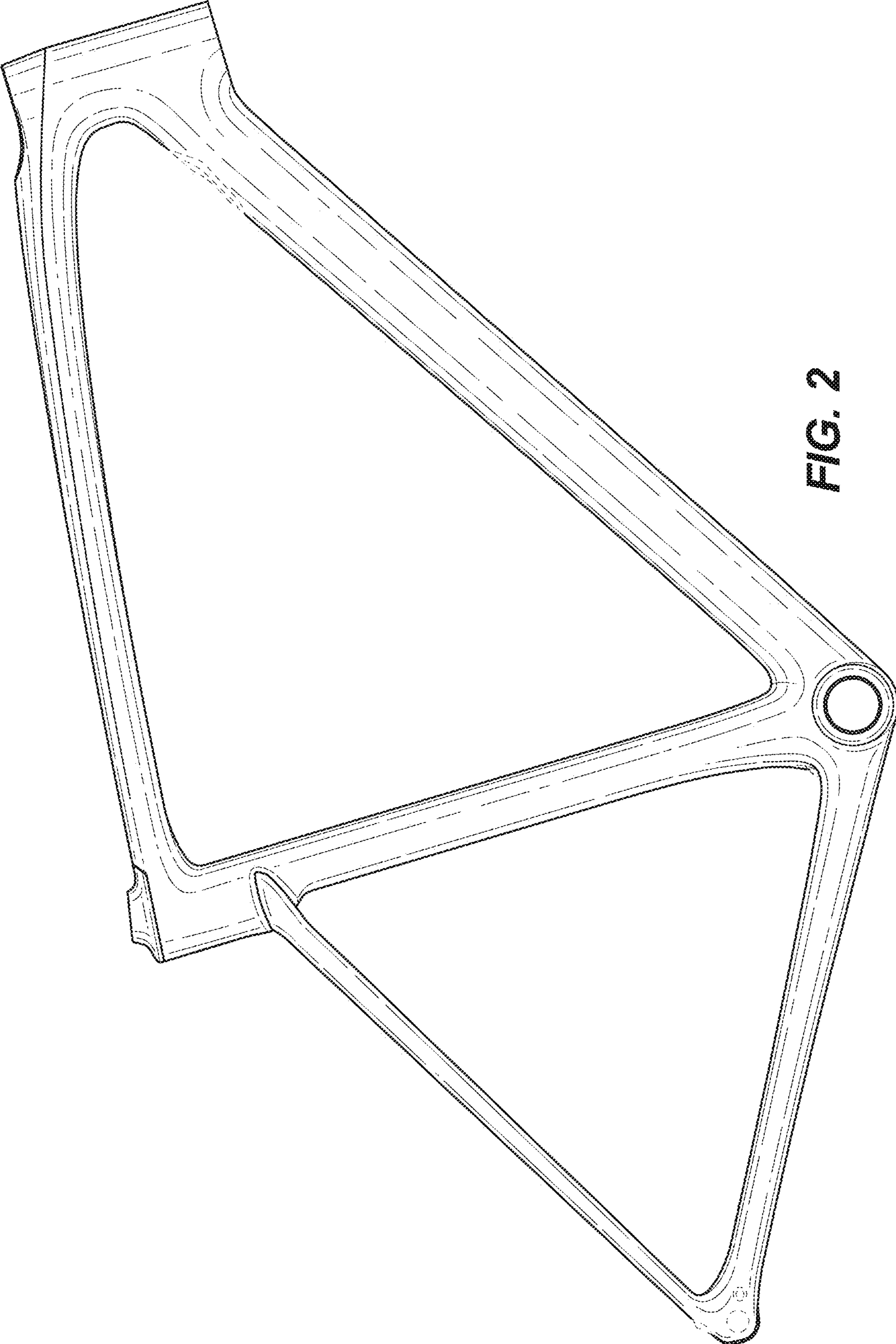


FIG. 2

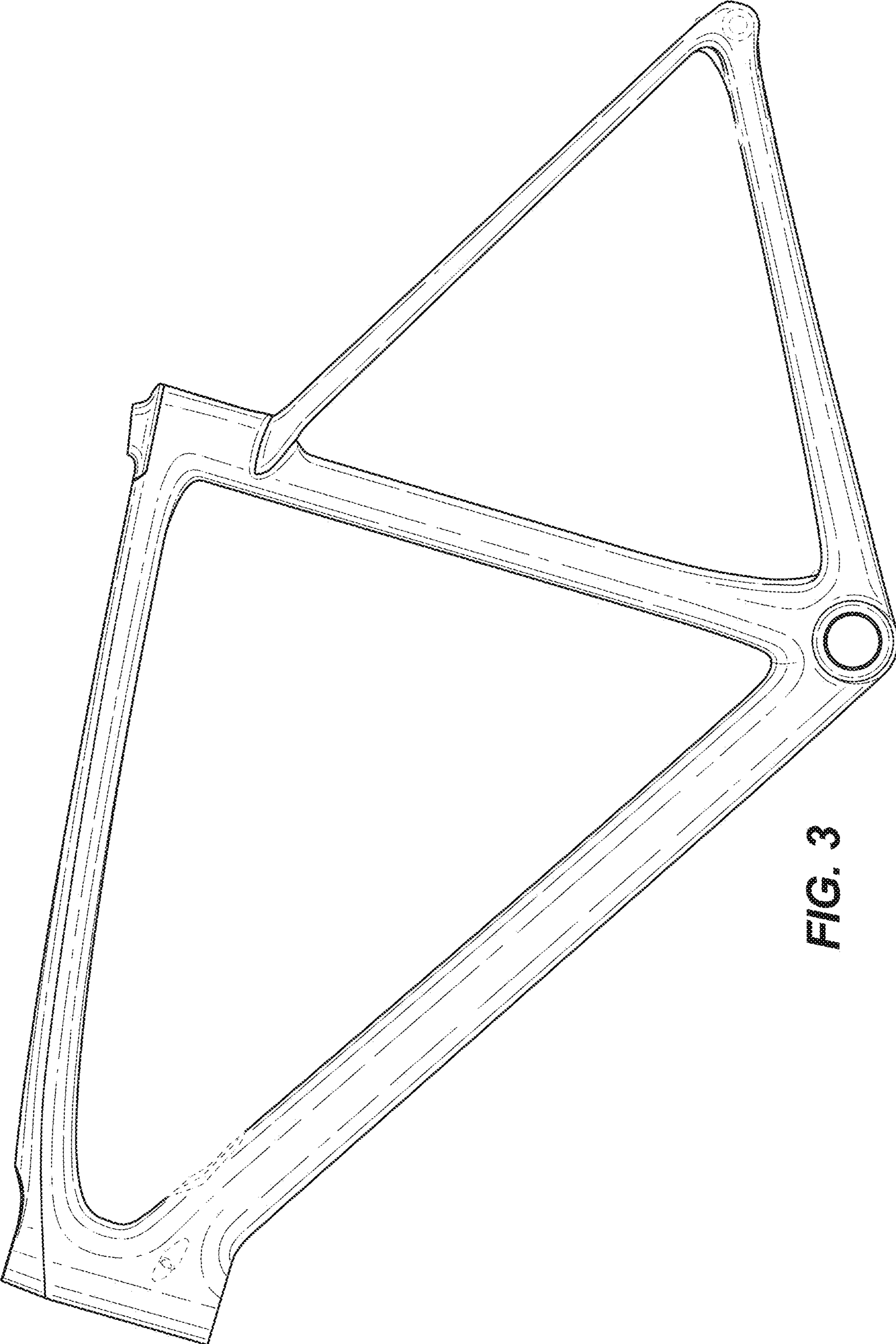


FIG. 3

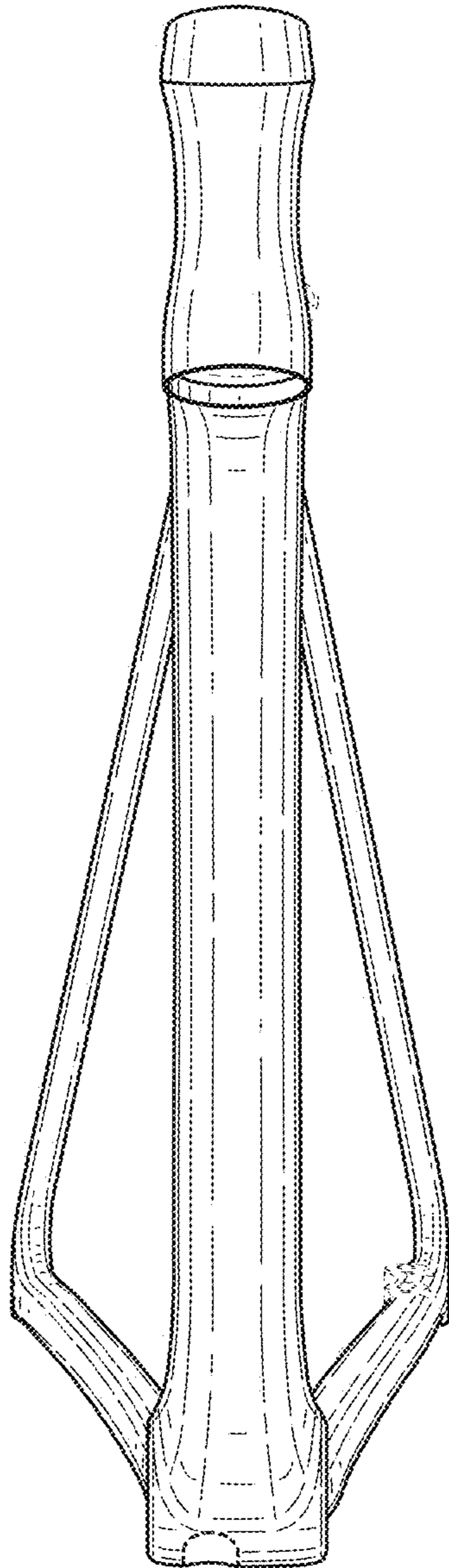


FIG. 4

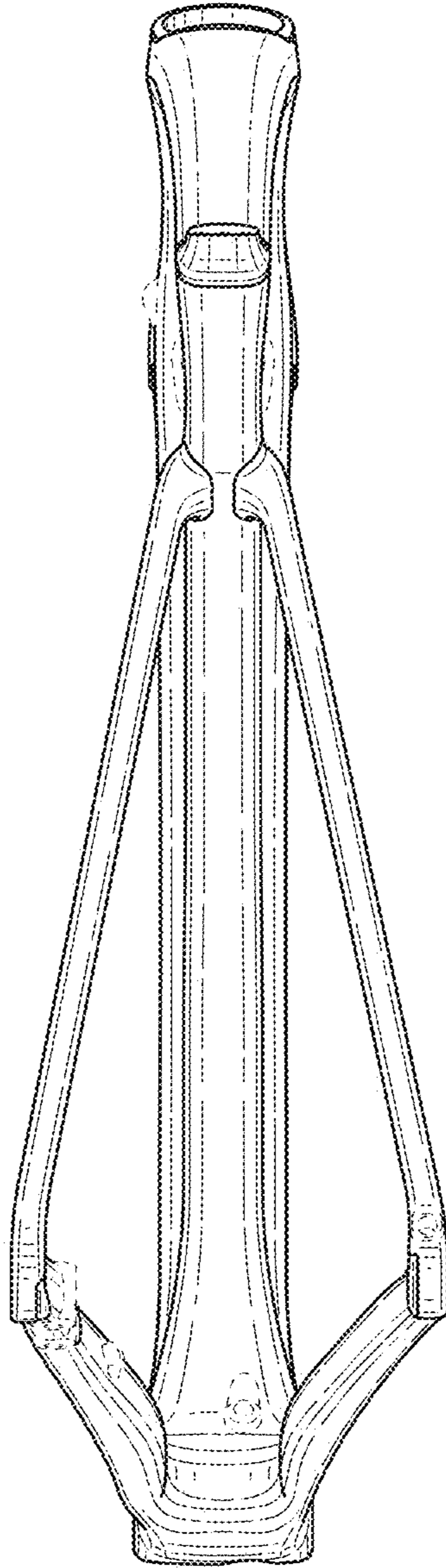


FIG. 5

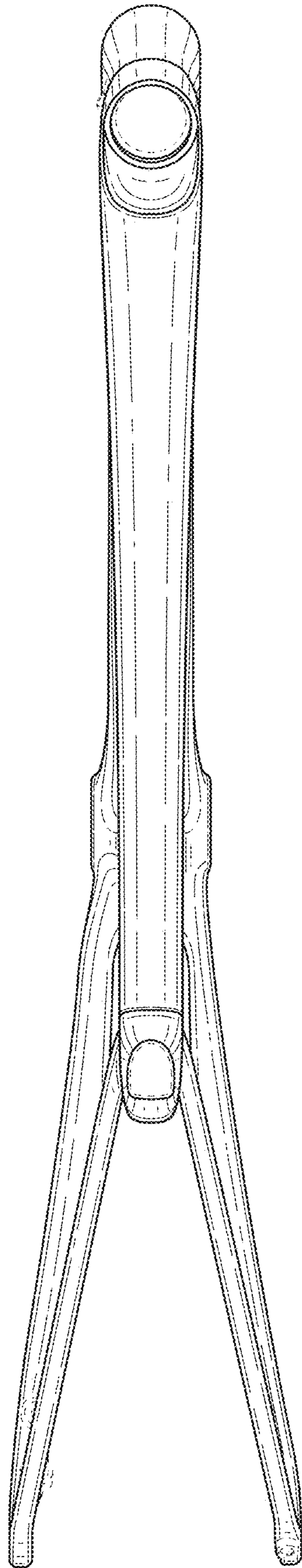


FIG. 6

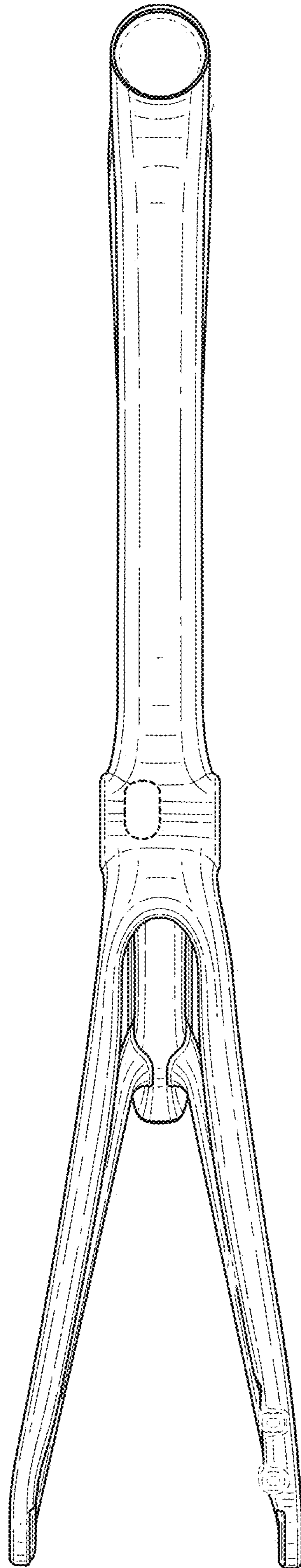


FIG. 7