



US00D908044S

(12) **United States Design Patent** (10) **Patent No.:** **US D908,044 S**
Wagers (45) **Date of Patent:** **** Jan. 19, 2021**

(54) **EXTENDED TRUCK CAB PANEL**

(71) Applicant: **Daycab Company Inc.**, Rockwood, TN (US)

(72) Inventor: **Marc Wagers**, Knoxville, TN (US)

(73) Assignee: **Daycab Company Inc.**, Rockwood, TN (US)

(**) Term: **15 Years**

(21) Appl. No.: **29/714,864**

(22) Filed: **Nov. 26, 2019**

(51) **LOC (13) Cl.** **12-08**

(52) **U.S. Cl.**
USPC **D12/96**

(58) **Field of Classification Search**
USPC ... D12/1, 14, 15, 82, 84, 90, 93, 95, 96, 99;
D21/433, 434, 552, 554
CPC B60Y 2200/14; B60Y 2200/141; B60Y
2200/142; B60Y 2200/1422; B62D 33/00;
B62D 33/06; B62D 33/077; B62D
33/0604; B62D 33/0612
See application file for complete search history.

(56) **References Cited**

U.S. PATENT DOCUMENTS

- 6,076,884 A * 6/2000 Osman B62D 33/0612
296/190.02
- D467,525 S * 12/2002 Sarmiento D12/93
- D627,687 S * 11/2010 Lewis D12/96
- 2020/0122661 A1 * 4/2020 Pawlowski B60K 1/04

OTHER PUBLICATIONS

Extended Day Cab, www.youtube.com [online]. Published on or before Jan. 10, 2020, [retrieved on Nov. 3, 2020]. Retrieved from the Internet: <URL:https://www.youtube.com/watch?v=esqOIKuPV2k> (Year: 2020).*

* cited by examiner

Primary Examiner — Michael A. Pratt

Assistant Examiner — Adam C Mager

(74) *Attorney, Agent, or Firm* — Thomas A. Kulaga;
Knox Patents

(57) **CLAIM**

The ornamental design for an extended truck cab panel, as shown and described.

DESCRIPTION

FIG. 1 is a perspective view of the rear and left side of an extended truck cab panel.

FIG. 2 is a rear view thereof.

FIG. 3 is a front, inside view thereof.

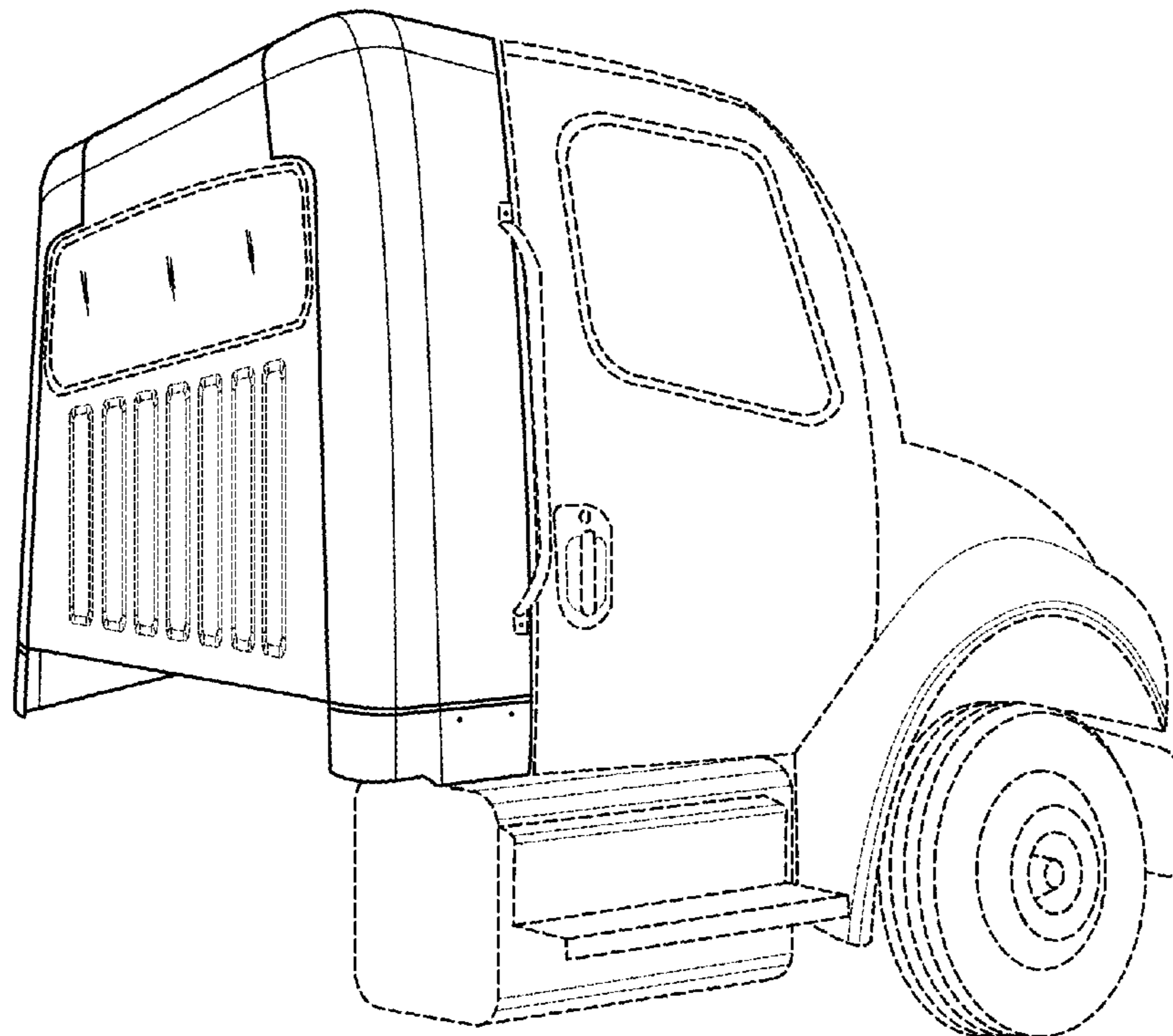
FIG. 4 is a left side view thereof, the right side being a mirror image of the left side.

FIG. 5 is a top view thereof; and,

FIG. 6 is a bottom view thereof.

The broken lines shown in the drawings depict portions of the extended truck cab panel that form no part of the claimed design. The partial truck body shown in broken lines is for the purpose of illustrating environmental structure, which forms no part of the claimed design.

1 Claim, 5 Drawing Sheets



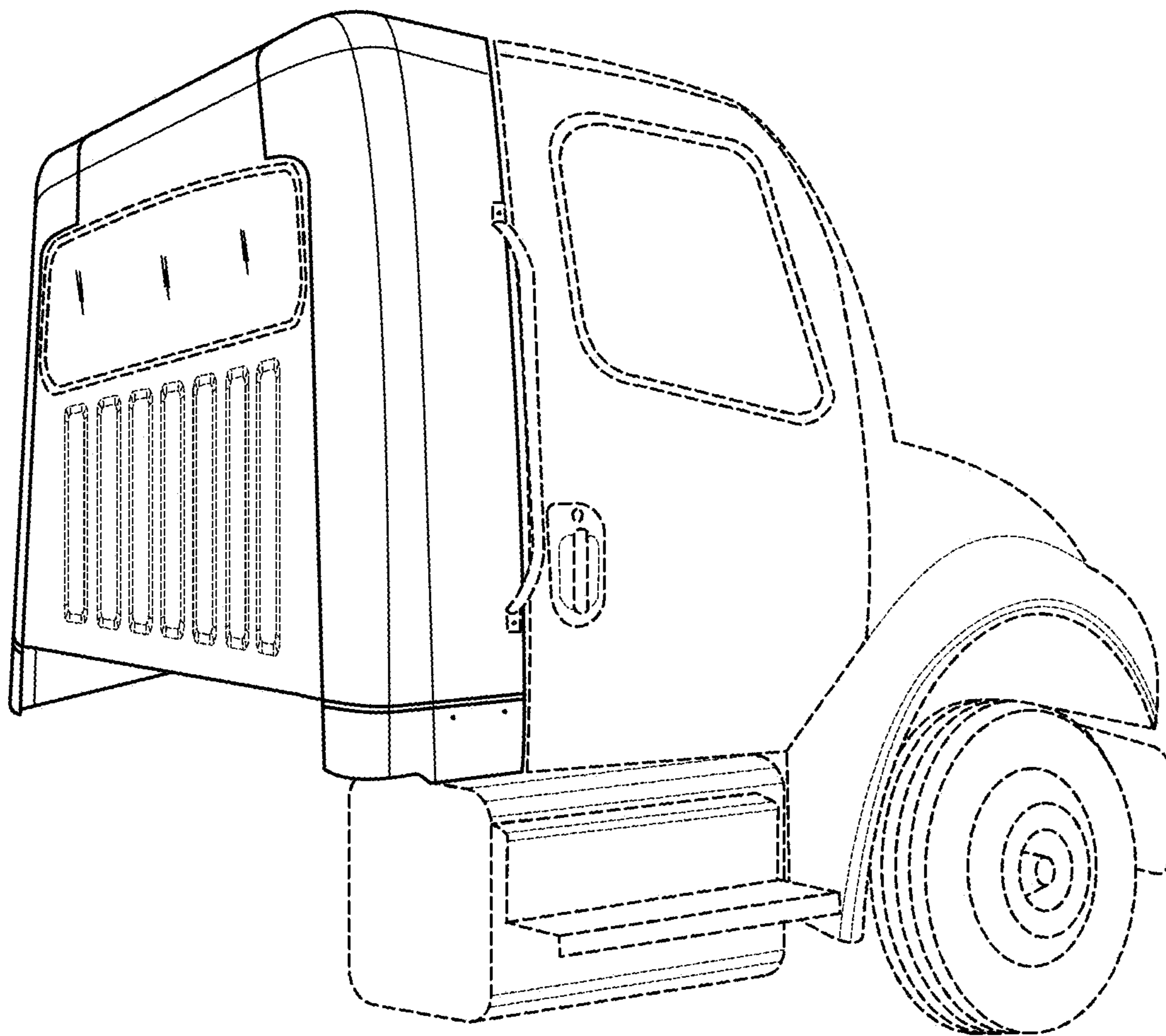


Fig. 1

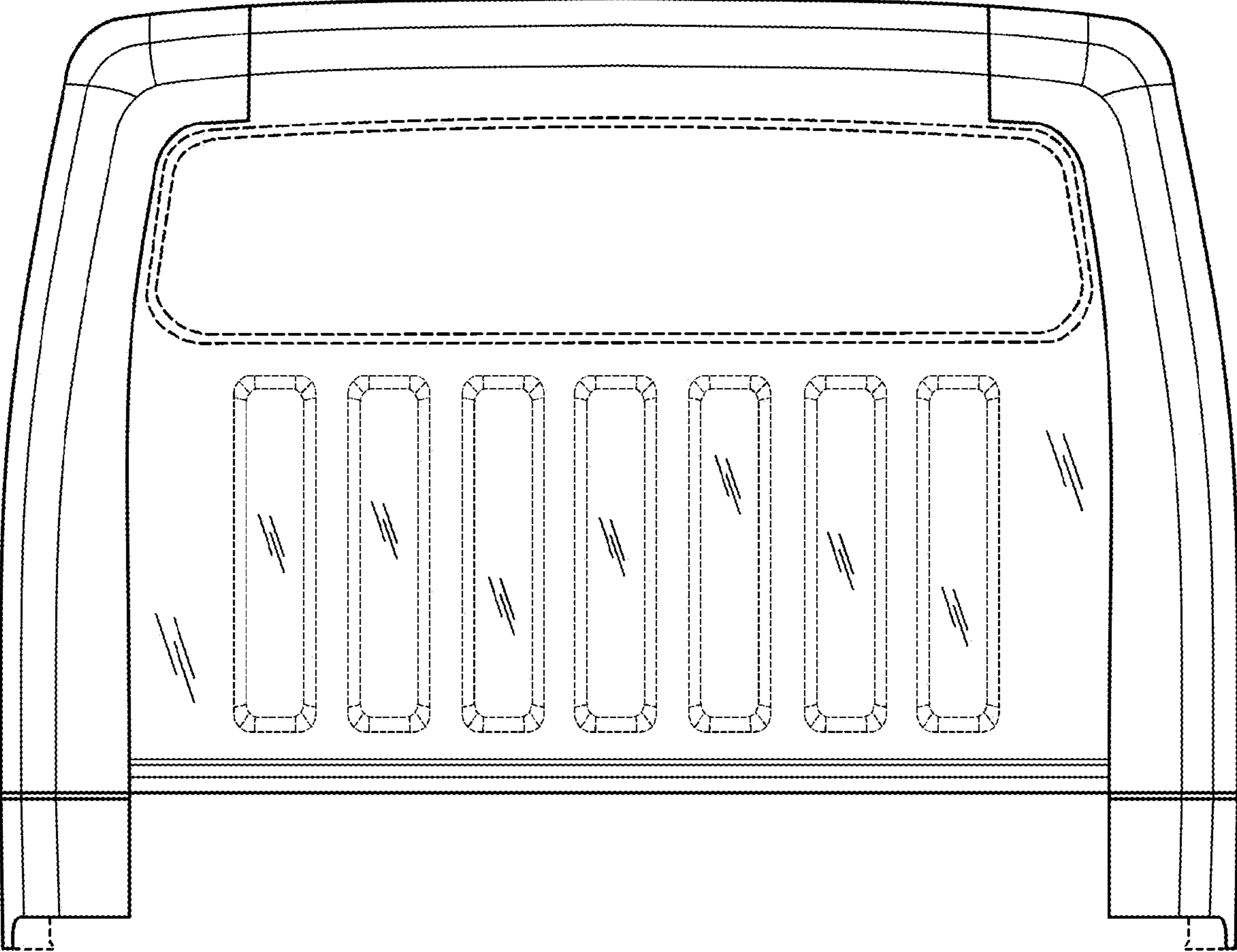


Fig. 2

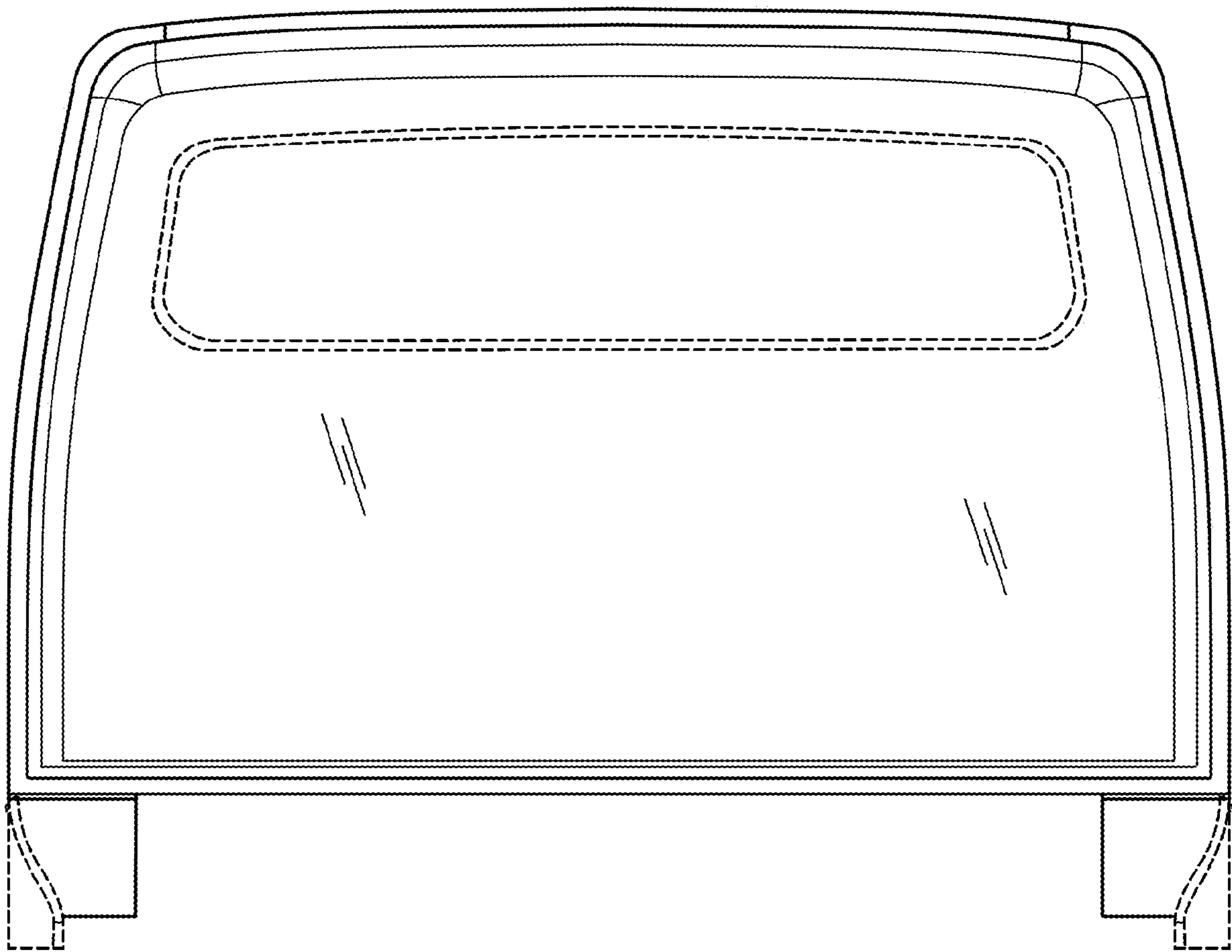


Fig. 3

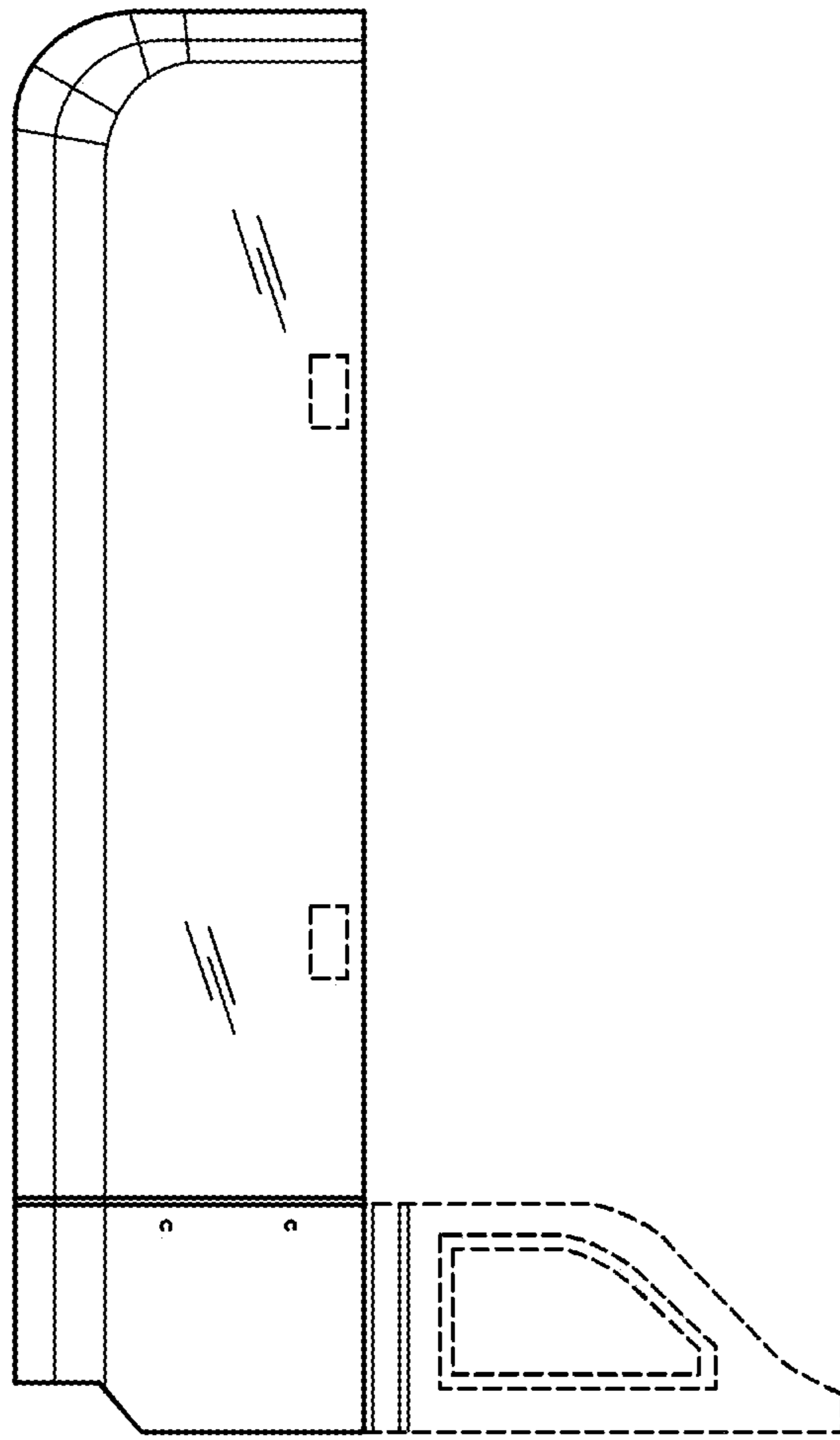


Fig. 4

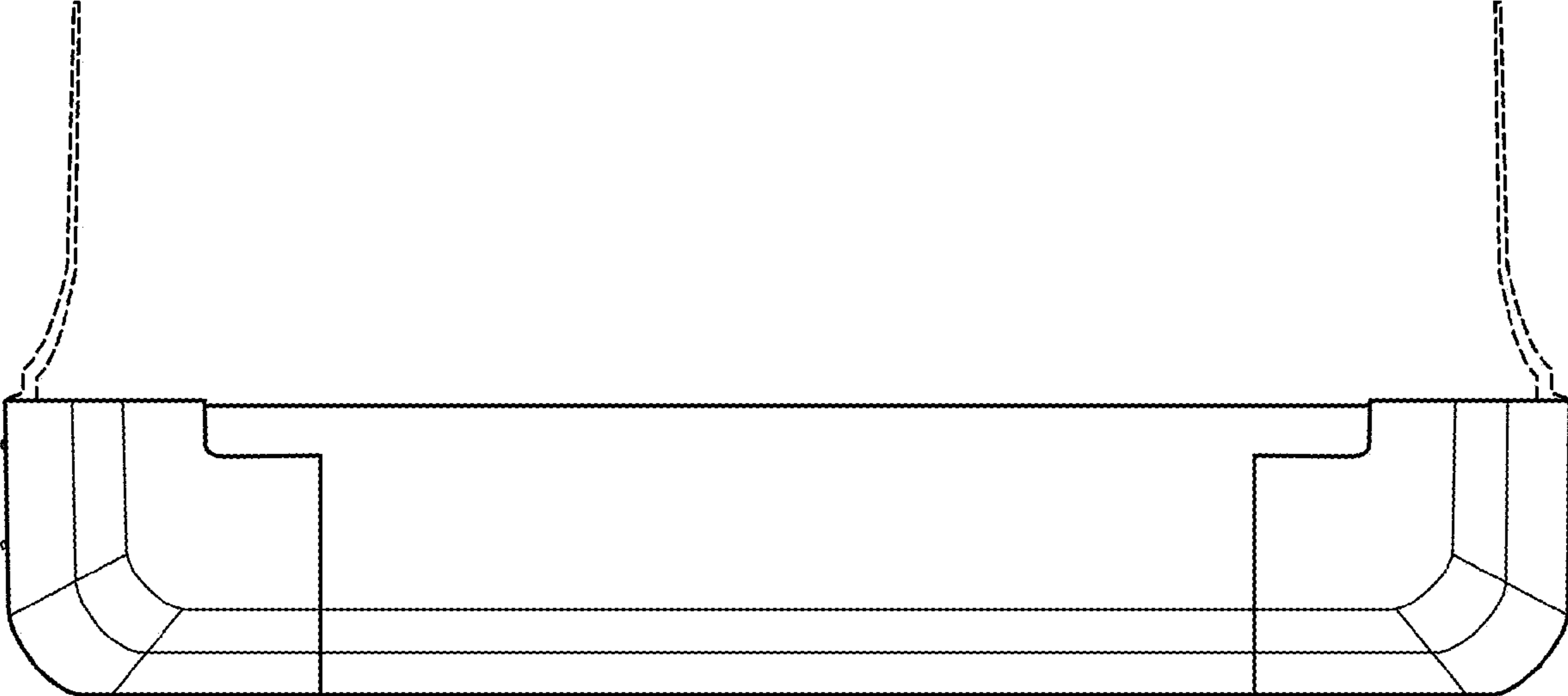


Fig. 5

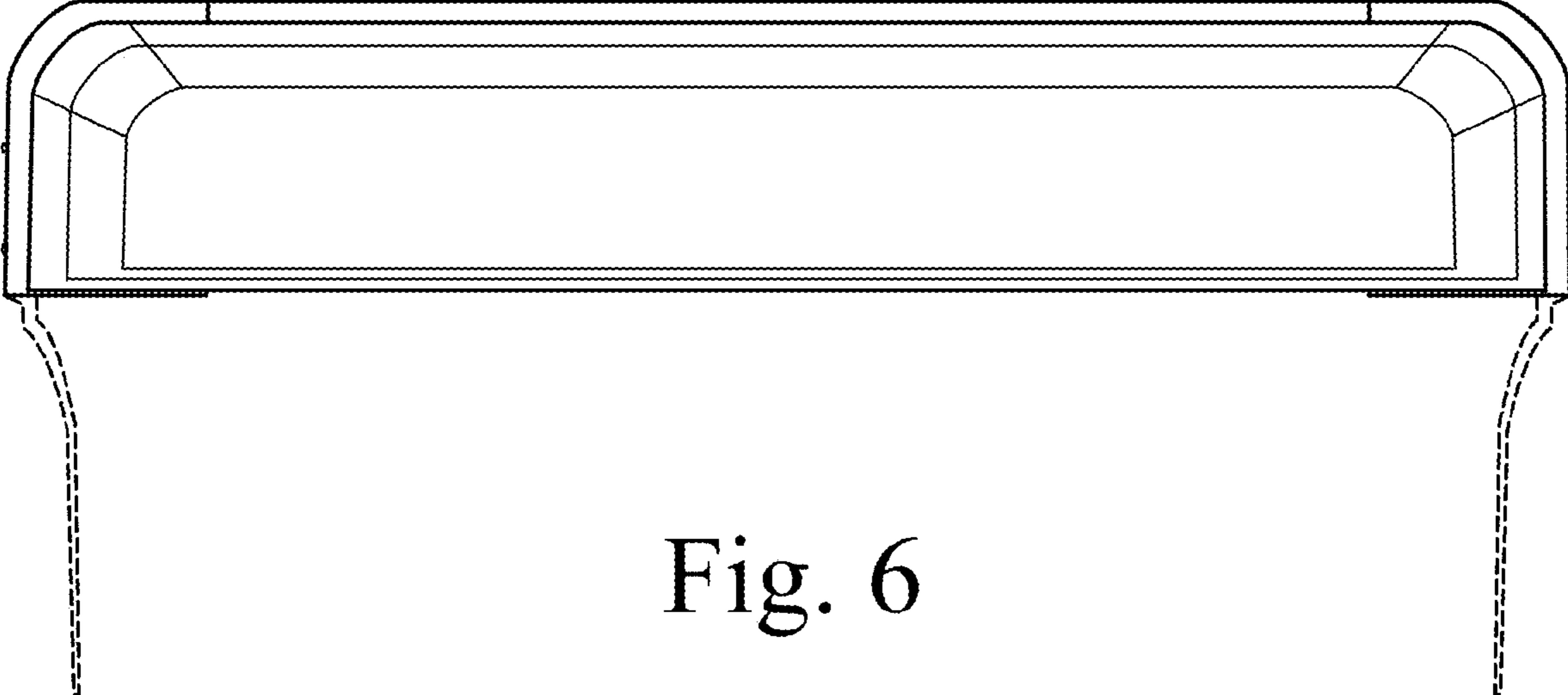


Fig. 6