



US00D908042S

(12) **United States Design Patent** (10) **Patent No.:** **US D908,042 S**
Brown (45) **Date of Patent:** **** Jan. 19, 2021**

(54) **GROWING TRAY COVER**
(71) Applicant: **Paul William Brown**, Barrie (CA)
(72) Inventor: **Paul William Brown**, Barrie (CA)
(73) Assignee: **MPL INDUSTRIES LTD.**, Barrie (CA)
(**) Term: **15 Years**
(21) Appl. No.: **29/673,265**
(22) Filed: **Dec. 13, 2018**

3,003,203 A * 10/1961 Grunwald E06B 1/70
49/467
3,014,253 A * 12/1961 Manville E06B 7/2316
49/469
3,072,976 A * 1/1963 Klaas E06B 1/70
49/468

(Continued)

FOREIGN PATENT DOCUMENTS

AU 2015243012 4/2017
CA 2 908 184 4/2017
EP 3 155 896 4/2017

OTHER PUBLICATIONS

U.S. Appl. No. 29/673,263, filed Dec. 13, 2018, Brown.

Primary Examiner — Elizabeth A. Albert
(74) *Attorney, Agent, or Firm* — Daniel F. Nesbitt; Hasse & Nesbitt LLC

(30) **Foreign Application Priority Data**
Jun. 13, 2018 (CA) 181913
(51) **LOC (13) Cl.** **11-02**
(52) **U.S. Cl.**
USPC **D11/156**
(58) **Field of Classification Search**
USPC D11/143–156, 164; D3/304; D6/403,
D6/404, 405, 556, 557, 558; D7/523,
D7/602, 630; D8/356; D9/428, 500;
D25/119, 120, 121
CPC ... A47G 7/00; A47G 7/02; A47G 7/06; A47G
7/08; A01G 5/04; A01G 9/02; A01G
9/021; A01G 9/029; A01G 9/0293; A01G
9/047; E06B 1/70
See application file for complete search history.

(57) **CLAIM**

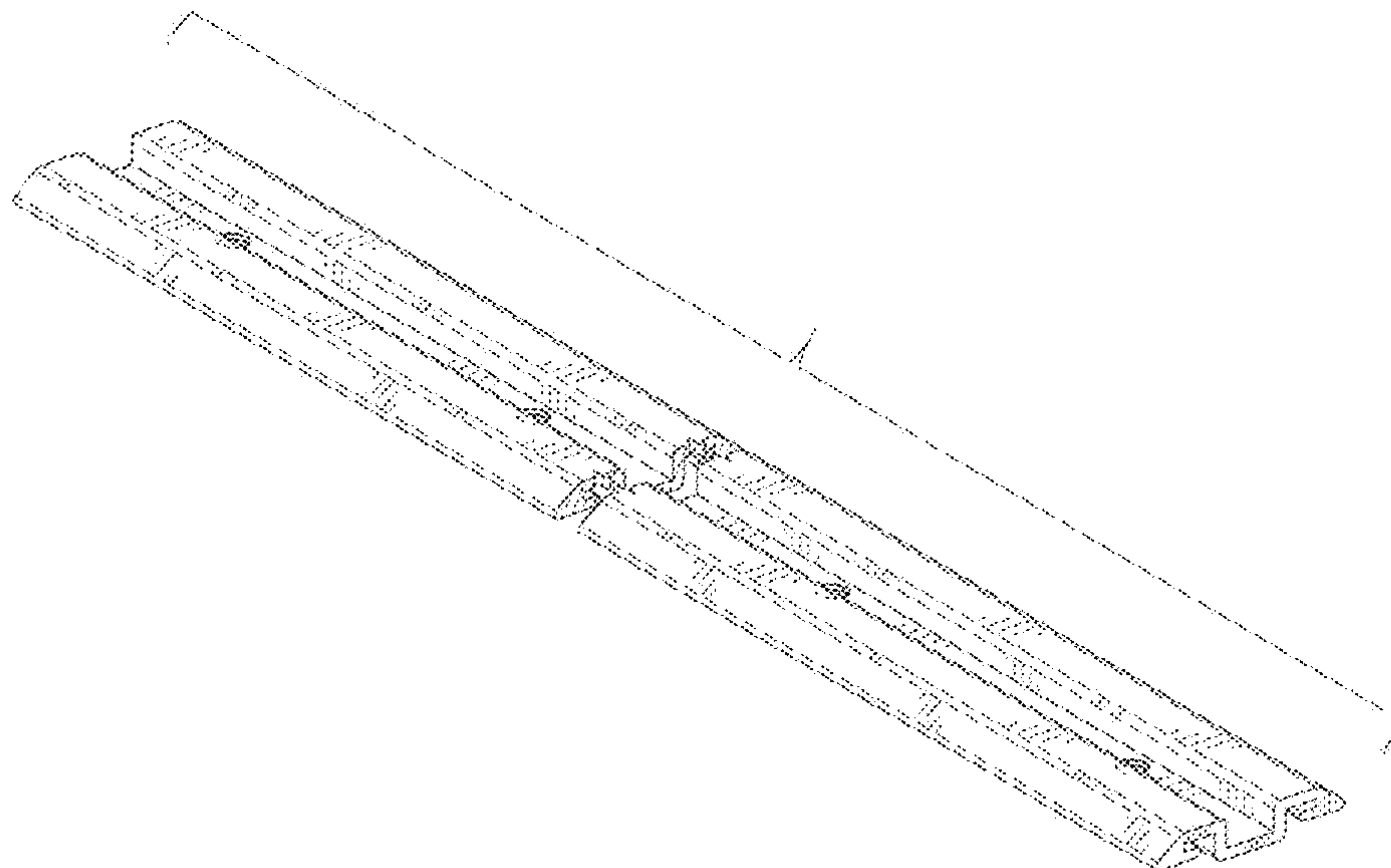
I claim the ornamental design for a growing tray cover, as shown and described.

DESCRIPTION

FIG. 1 is a top-front perspective view of a growing tray cover, showing the new design;
FIG. 2 is a bottom-rear perspective view thereof;
FIG. 3 is a left side view thereof;
FIG. 4 is a front view thereof;
FIG. 5 is a right side view thereof;
FIG. 6 is a rear view thereof;
FIG. 7 is a top plan view thereof; and,
FIG. 8 is a bottom plan view thereof.
The broken away symbols that consist of solid, straight zigzag lines in FIGS. 1, 2, 3, 5, 7 and 8 indicate that the appearance of any portion of the article between the broken away symbols forms no part of the claimed design.

1 Claim, 5 Drawing Sheets

(56) **References Cited**
U.S. PATENT DOCUMENTS
2,541,421 A * 2/1951 Hunter E06B 7/18
49/305
2,718,677 A * 9/1955 Cornell E06B 7/2316
49/469
2,794,219 A * 6/1957 MacKlanburg E06B 7/2316
49/469
2,947,043 A * 8/1960 Klemma E06B 7/2316
49/468



(56)

References Cited

U.S. PATENT DOCUMENTS

| | | | | | | | | | |
|----------------|---------|-----------------|-------|--------------|---------|-------------------|---------|-----------------|------------------|
| 3,261,130 A * | 7/1966 | Lawson | | E06B 3/9632 | 49/469 | 8,984,807 B2 | 3/2015 | Hansen et al. | |
| 3,374,579 A * | 3/1968 | Neff | | E06B 7/2316 | 49/468 | D742,540 S * | 11/2015 | Singh | D25/119 |
| 3,667,192 A * | 6/1972 | Sewell | | E06B 1/70 | 52/213 | D746,669 S * | 1/2016 | McBride | E04B 1/40 |
| 4,074,464 A * | 2/1978 | McCay | | E06B 1/70 | 49/468 | 9,380,751 B2 | 7/2016 | Storey | |
| 4,104,830 A * | 8/1978 | Eagle | | E06B 1/70 | 49/468 | D785,497 S | 5/2017 | Storey | |
| 4,387,535 A * | 6/1983 | Corbo | | E06B 1/70 | 49/468 | 9,795,089 B2 | 10/2017 | Kantola et al. | |
| D315,542 S * | 3/1991 | Dalton | | D12/167 | | 9,816,311 B2 * | 11/2017 | Reyes | E06B 1/70 |
| 5,010,686 A | 4/1991 | Rivest | | | | D821,915 S | 7/2018 | Storey | |
| D318,177 S * | 7/1991 | Winter | | D25/119 | | D826,769 S | 8/2018 | Storey | |
| 5,029,911 A * | 7/1991 | Daniels | | E05B 63/0052 | 292/170 | 10,080,335 B1 | 9/2018 | Van Wingerden | |
| D329,707 S * | 9/1992 | Embree | | D25/119 | | D832,738 S | 11/2018 | Storey | |
| D366,119 S * | 1/1996 | Headrick | | D25/48.2 | | D834,728 S * | 11/2018 | Jackson | D25/119 |
| 5,819,826 A * | 10/1998 | Schmatjen | | B27L 11/005 | 144/241 | D839,783 S * | 2/2019 | Van Wingerden | A01G 9/047 |
| D430,811 S * | 9/2000 | DeVos | | D10/71 | | 10,485,186 B2 | 11/2019 | Storey | |
| D506,663 S * | 6/2005 | Biller | | D25/125 | | 10,638,677 B2 | 5/2020 | Storey | |
| 6,968,879 B2 * | 11/2005 | Schuh | | B27L 11/005 | 144/174 | 2005/0011119 A1 | 1/2005 | Bourgoin et al. | |
| 7,000,351 B2 | 2/2006 | Baumann | | | | 2009/0145870 A1 | 6/2009 | Tagawa et al. | |
| 7,181,886 B2 | 2/2007 | Bourgoin et al. | | | | 2009/0165373 A1 | 7/2009 | Souvlos et al. | |
| | | | | | | 2012/0324787 A1 | 12/2012 | Daas et al. | |
| | | | | | | 2014/0165458 A1 | 6/2014 | Wang et al. | |
| | | | | | | 2015/0208592 A1 | 7/2015 | Marchildon | |
| | | | | | | 2015/0342127 A1 * | 12/2015 | Gallant | A01G 9/02 |
| | | | | | | 2017/0099792 A1 | 4/2017 | Gallant | 47/20.1 |

* cited by examiner

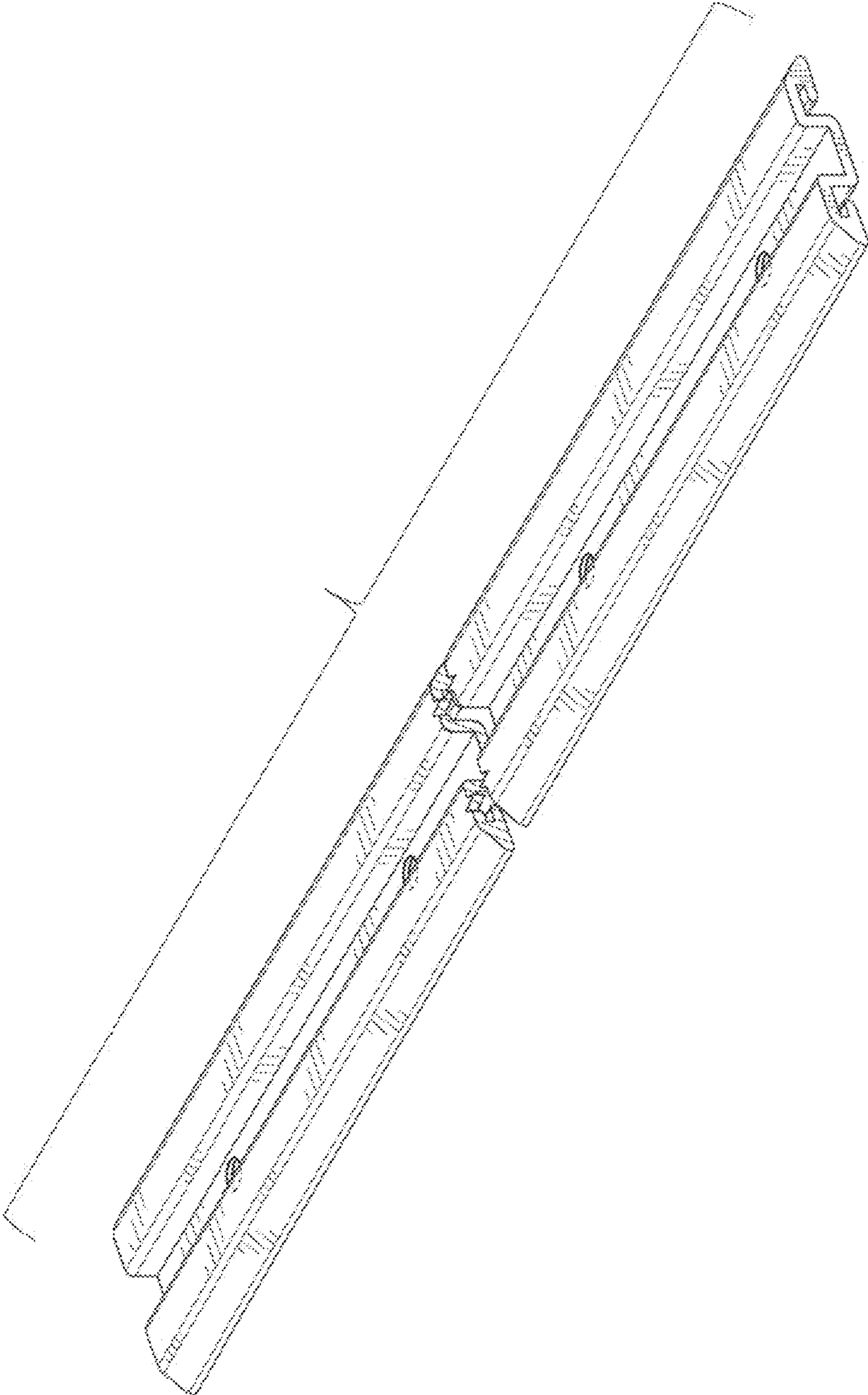


FIG. 1

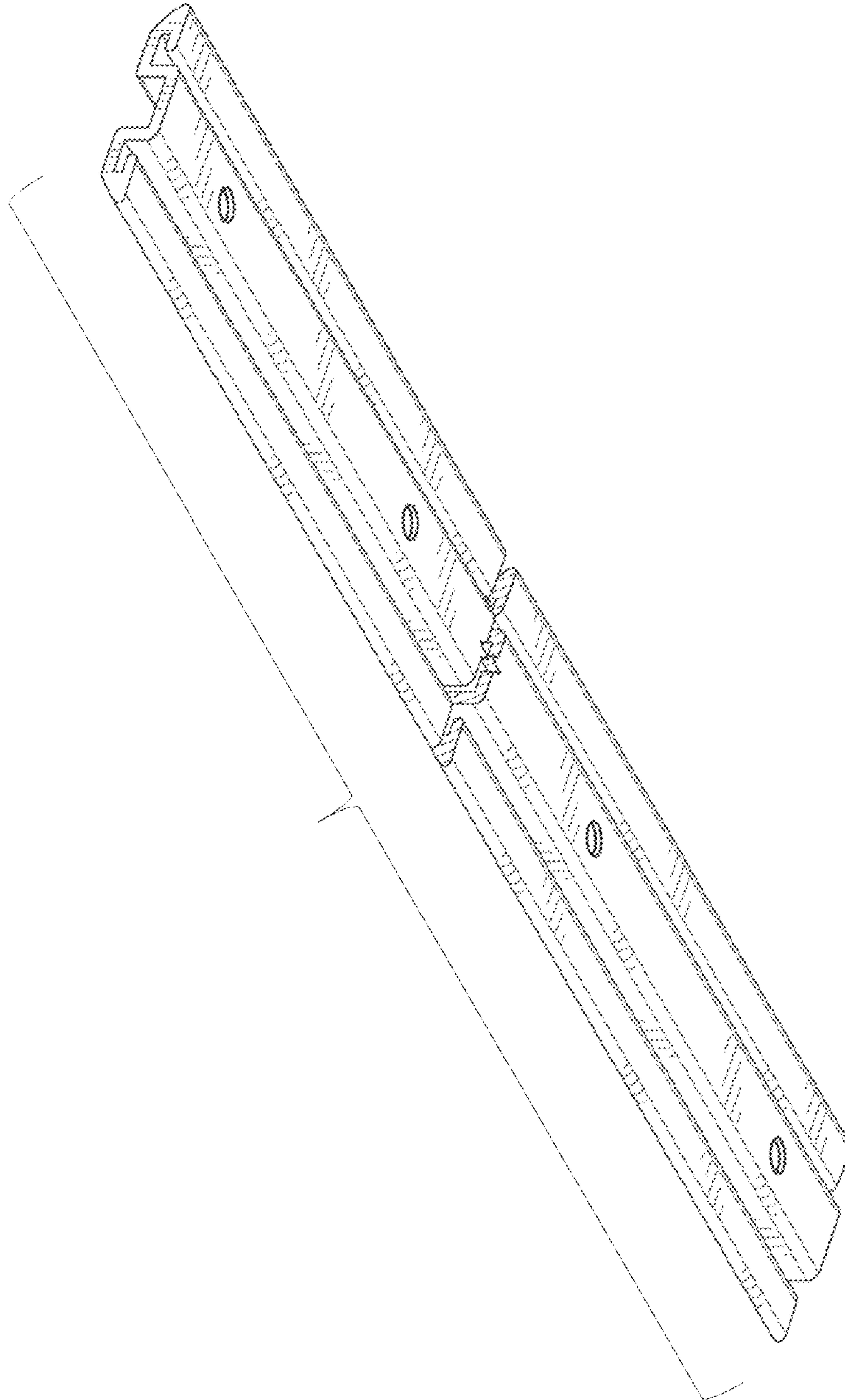


FIG. 2

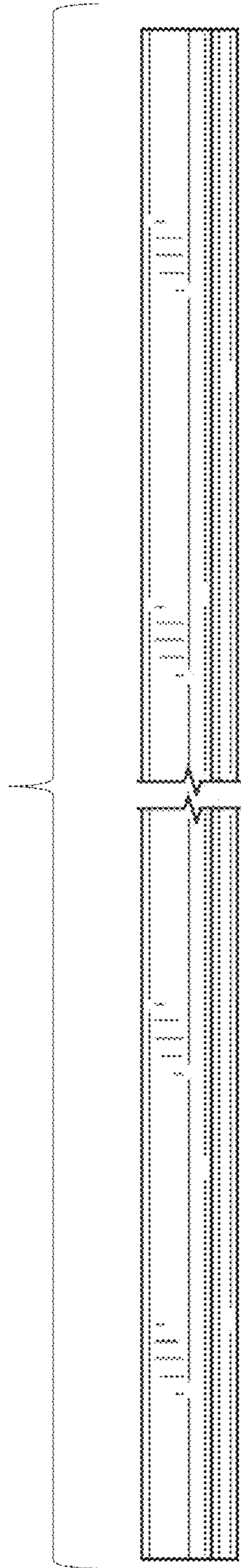


FIG. 3

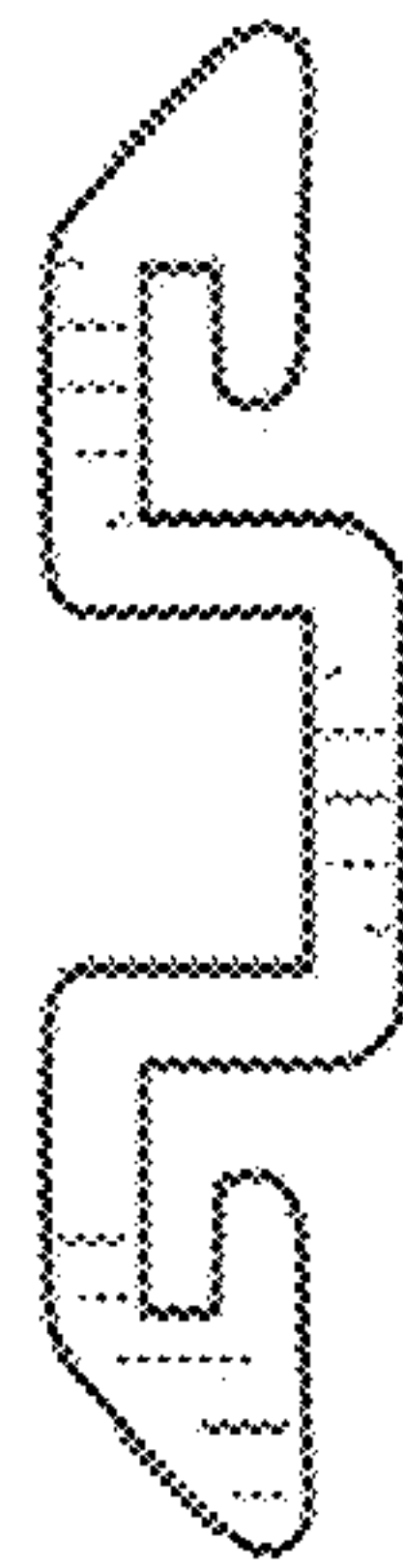


FIG. 4

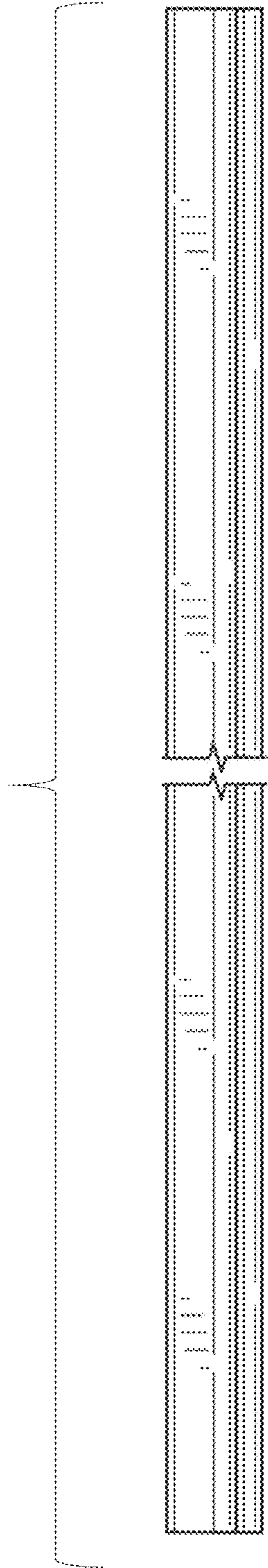


FIG. 5

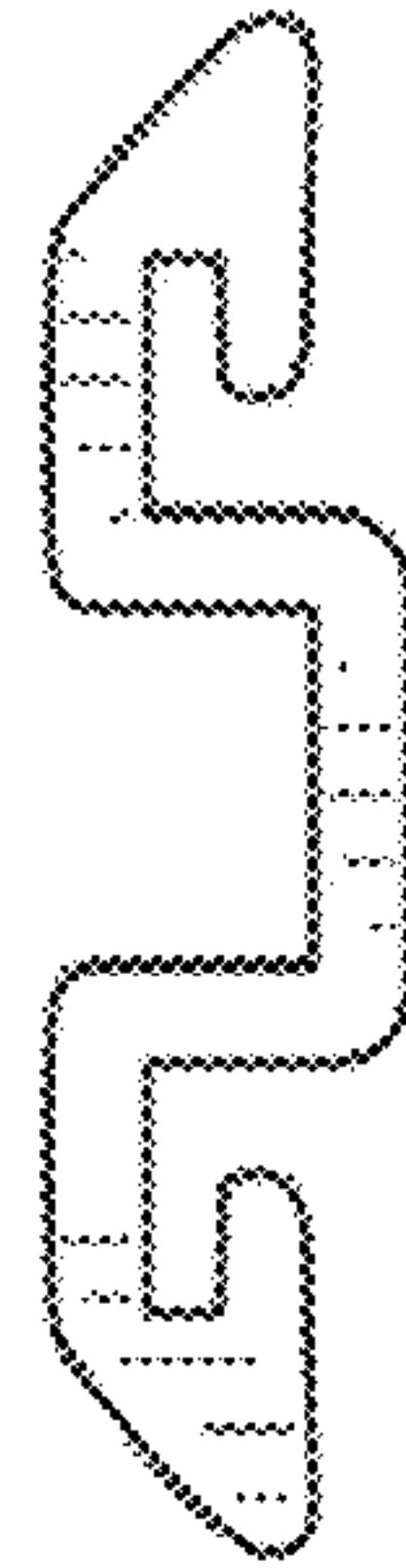


FIG. 6

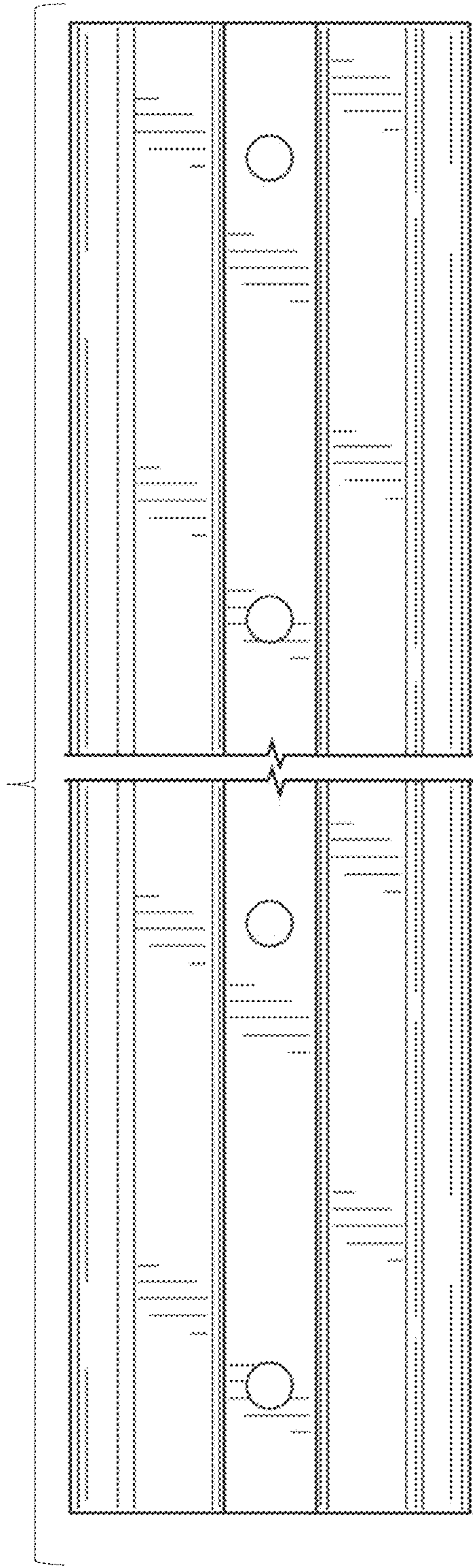


FIG. 7

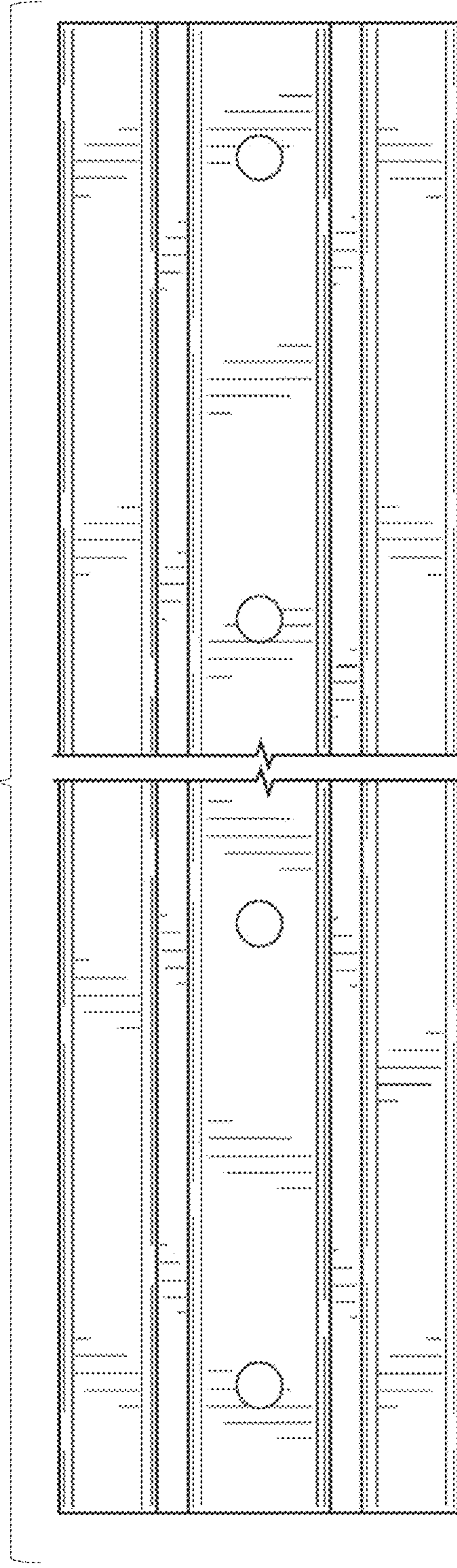


FIG. 8