



US00D908040S

(12) **United States Design Patent** (10) **Patent No.:** **US D908,040 S**
Now (45) **Date of Patent:** **** *Jan. 19, 2021**

(54) **TRAY LINER**
(71) Applicant: **Leo Now**, San Francisco, CA (US)
(72) Inventor: **Leo Now**, San Francisco, CA (US)
(*) Notice: This patent is subject to a terminal disclaimer.
(**) Term: **15 Years**
(21) Appl. No.: **29/662,929**
(22) Filed: **Sep. 10, 2018**
(51) **LOC (13) Cl.** **11-02**
(52) **U.S. Cl.**
USPC **D11/155**
(58) **Field of Classification Search**
USPC D11/143-156, 164; D3/304, 307, 315;
D6/691.6, 692.4, 403-405, 556-558;
D7/509, 554.3; D34/5
CPC . A47G 7/02; A47G 7/04; A47G 7/041; A47G
7/042; A47G 7/044; A47G 7/045; A47G
7/047; A47G 7/06; A47G 7/063; A47G
7/08; A47G 2007/048; A01G 2009/003;
A01G 9/02; A01G 9/021; A01G 9/022;
A01G 9/026; A01G 9/028; A01G 9/029;
A01G 9/0293; A01G 9/0299; A01G
9/033; A01G 9/04; A01G 9/045; A01G
9/047
See application file for complete search history.

(56) **References Cited**
U.S. PATENT DOCUMENTS
2,814,427 A * 11/1957 Emery B65D 1/34
229/406
D229,329 S * 11/1973 Jansen D11/156
3,992,809 A * 11/1976 Chew A01G 31/02
47/62 R
D245,684 S * 9/1977 Julinot D11/155

4,189,867 A * 2/1980 Schneck A01G 31/02
47/62 R
D256,344 S * 8/1980 Schneck D11/156
D259,867 S * 7/1981 Kenyon D11/155
D289,245 S * 4/1987 Ritman D7/586
D363,662 S * 10/1995 Plater D3/304
D365,501 S * 12/1995 Daugherty D7/354
D375,836 S * 11/1996 Conti D3/304
D415,656 S * 10/1999 Henry D7/354
6,619,477 B2 * 9/2003 Takahashi B65D 19/06
206/386
6,862,842 B2 * 3/2005 Mischo A01G 9/033
47/65.9
D571,688 S * 6/2008 White D11/155
D623,085 S * 9/2010 Rackley D11/144
9,062,914 B2 * 6/2015 Sweeney B32B 5/18
10,064,344 B1 * 9/2018 Meyer A01G 9/027
D835,953 S * 12/2018 Meyer A01G 25/00
D8/1

(Continued)

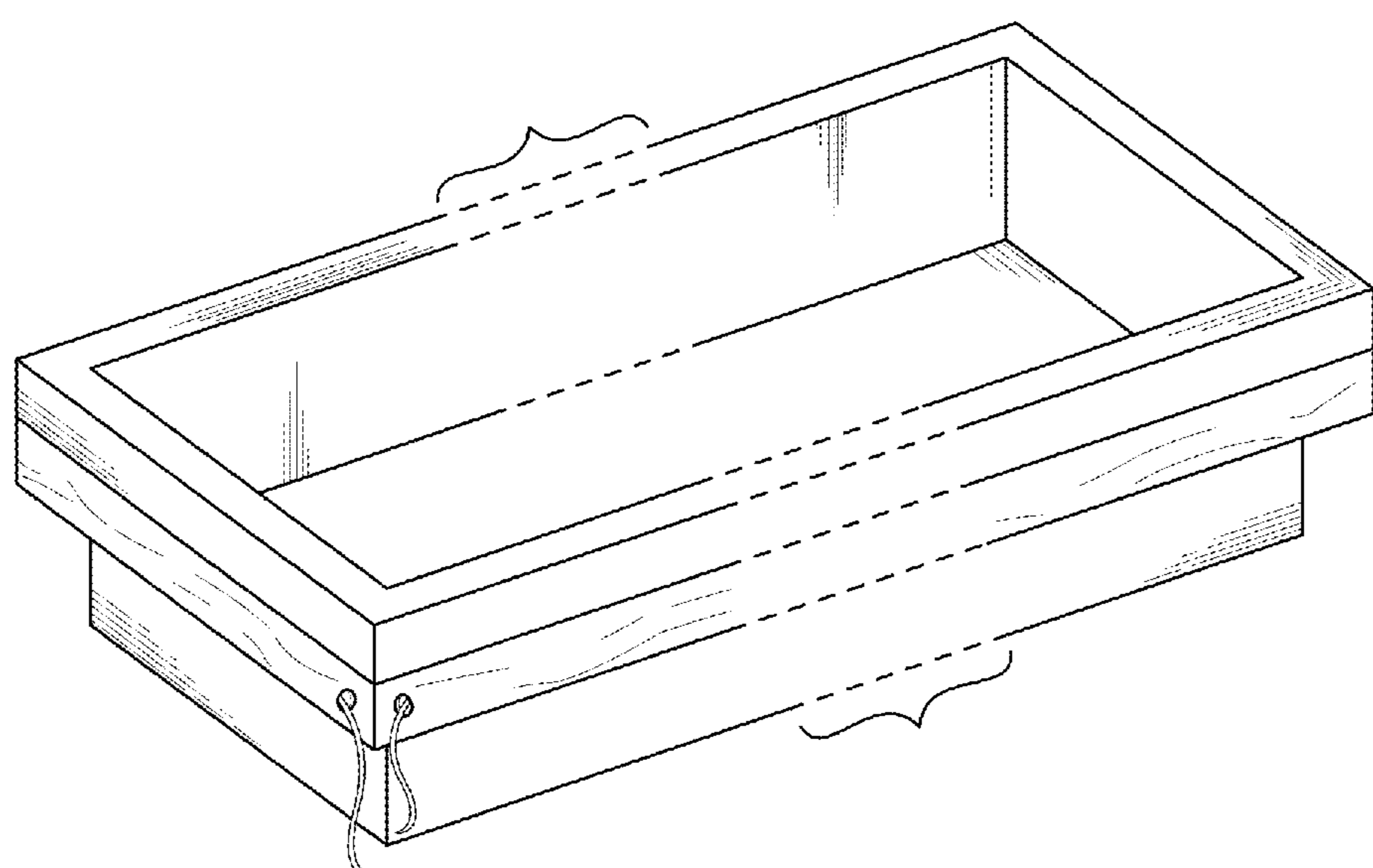
Primary Examiner — Elizabeth A. Albert
(74) *Attorney, Agent, or Firm* — Quickpatents, LLC;
Kevin Prince

(57) **CLAIM**
I claim the ornamental design for a tray liner, as shown and described.

DESCRIPTION

FIG. 1 is a top perspective view of a tray liner showing my new design;
FIG. 2 is a front elevational view of FIG. 1;
FIG. 3 is a rear elevational view of FIG. 1;
FIG. 4 is a left-side elevational view of FIG. 1;
FIG. 5 is a right-side elevational view of FIG. 1;
FIG. 6 is a top plan view of FIG. 1;
FIG. 7 is a bottom plan view of FIG. 1; and,
FIG. 8 is a bottom perspective view of FIG. 1.
The broken away symbols in the drawings indicate the appearance of any portion of the article between the break lines forms no part of the claimed design.

1 Claim, 4 Drawing Sheets



(56)

References Cited

U.S. PATENT DOCUMENTS

2005/0136238 A1* 6/2005 Lindsay A47L 13/16
428/304.4
2016/0029572 A1* 2/2016 Stott A01G 9/0297
47/66.7
2018/0207976 A1* 7/2018 Robertson B44D 3/123

* cited by examiner

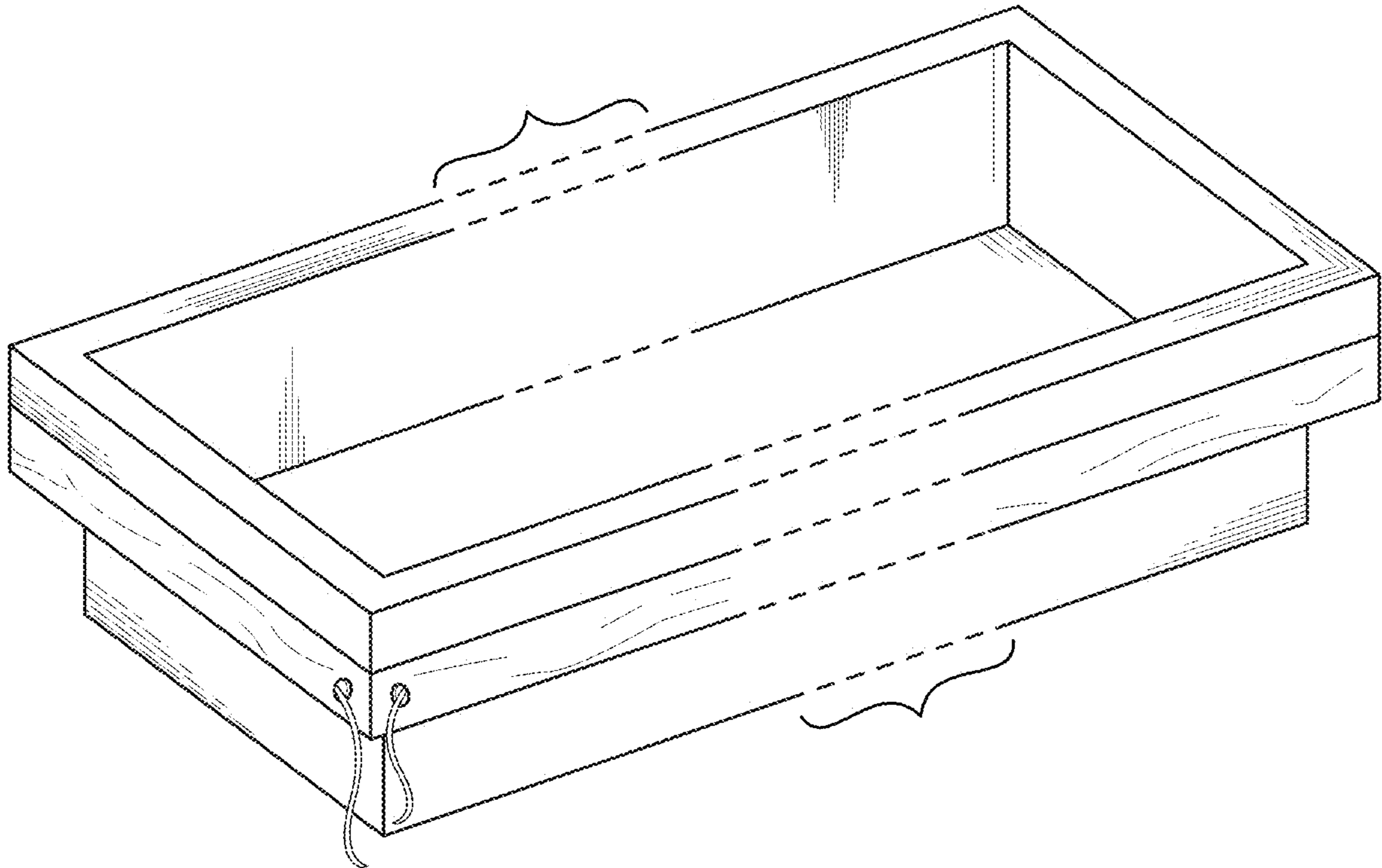


FIG. 1

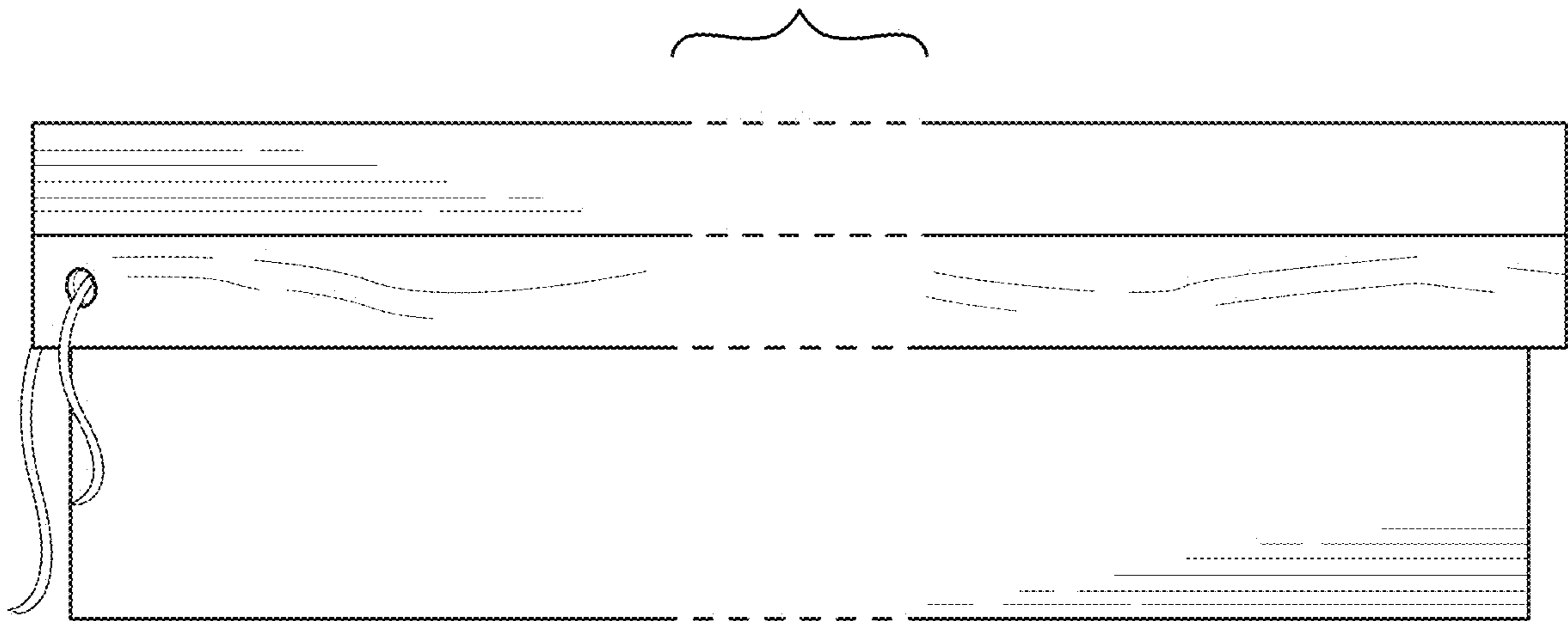


FIG. 2

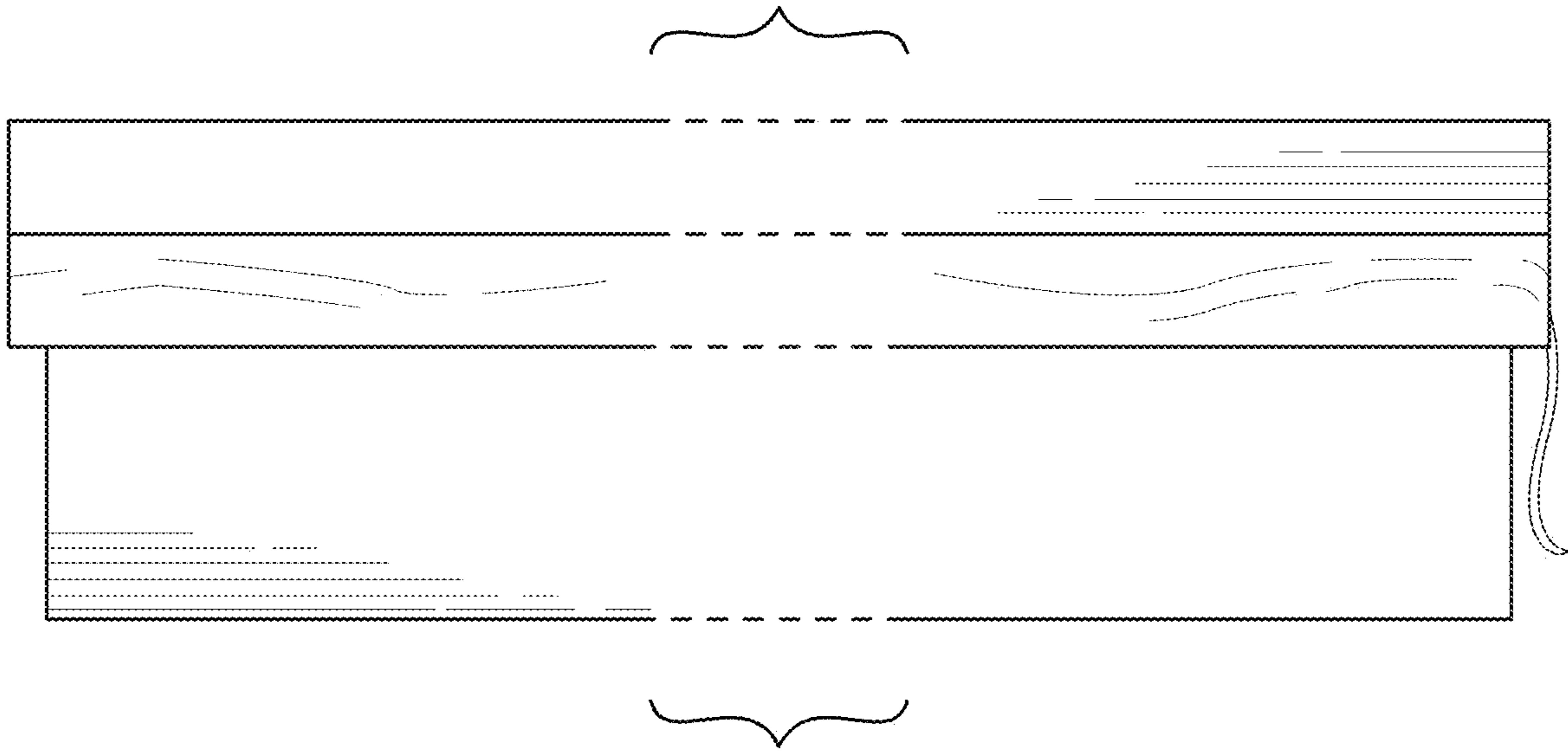


FIG. 3

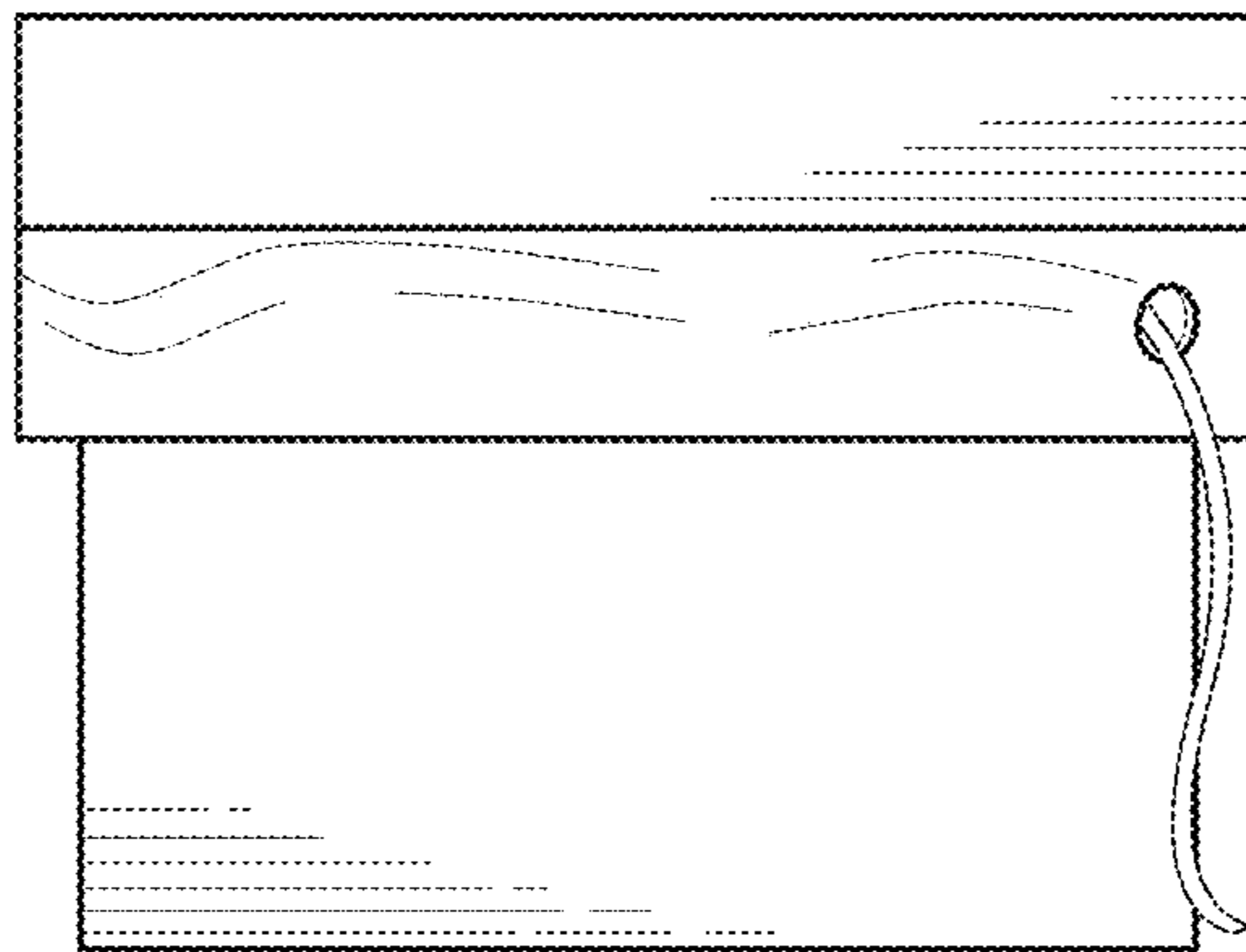


FIG. 4

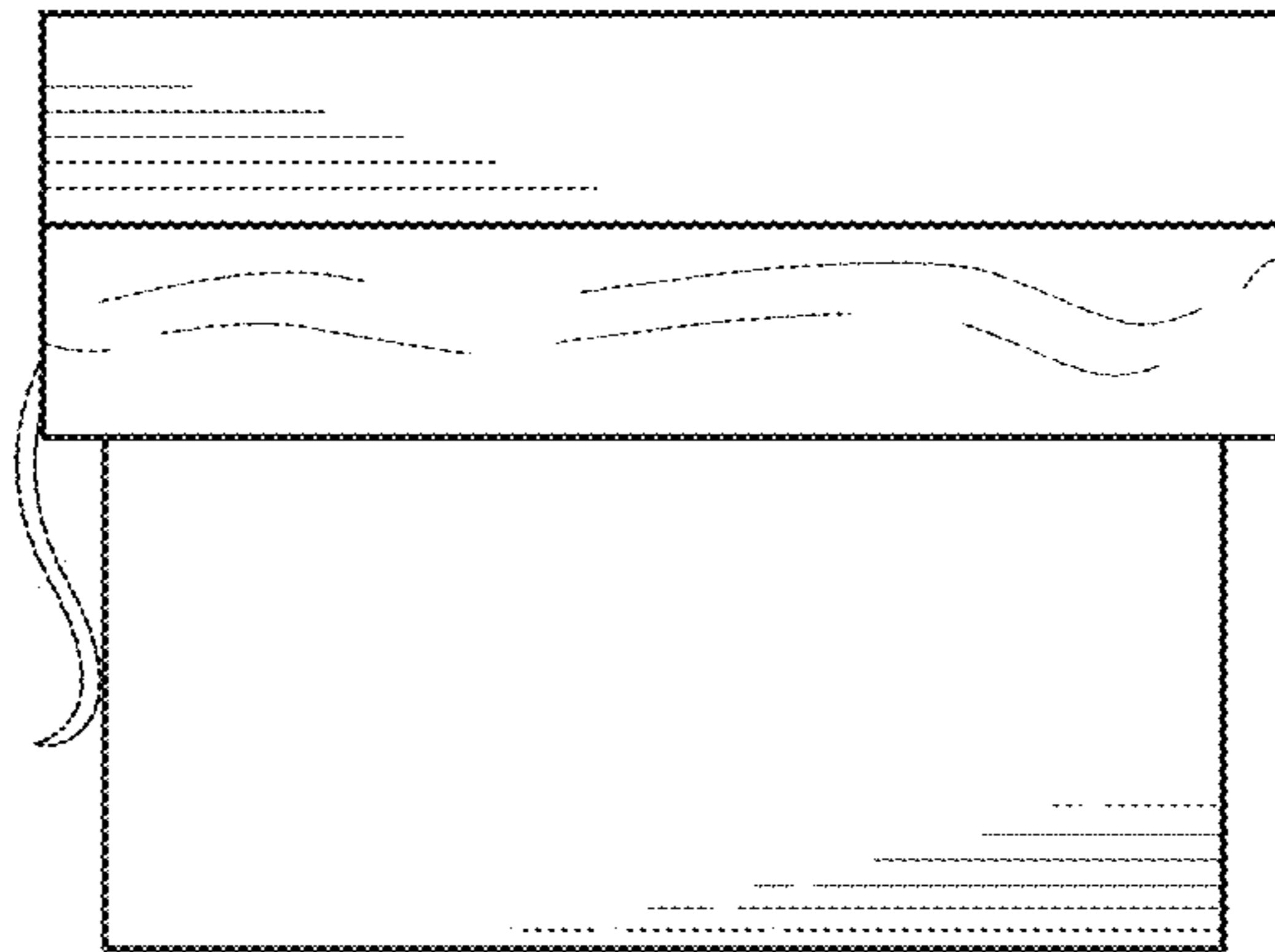


FIG. 5

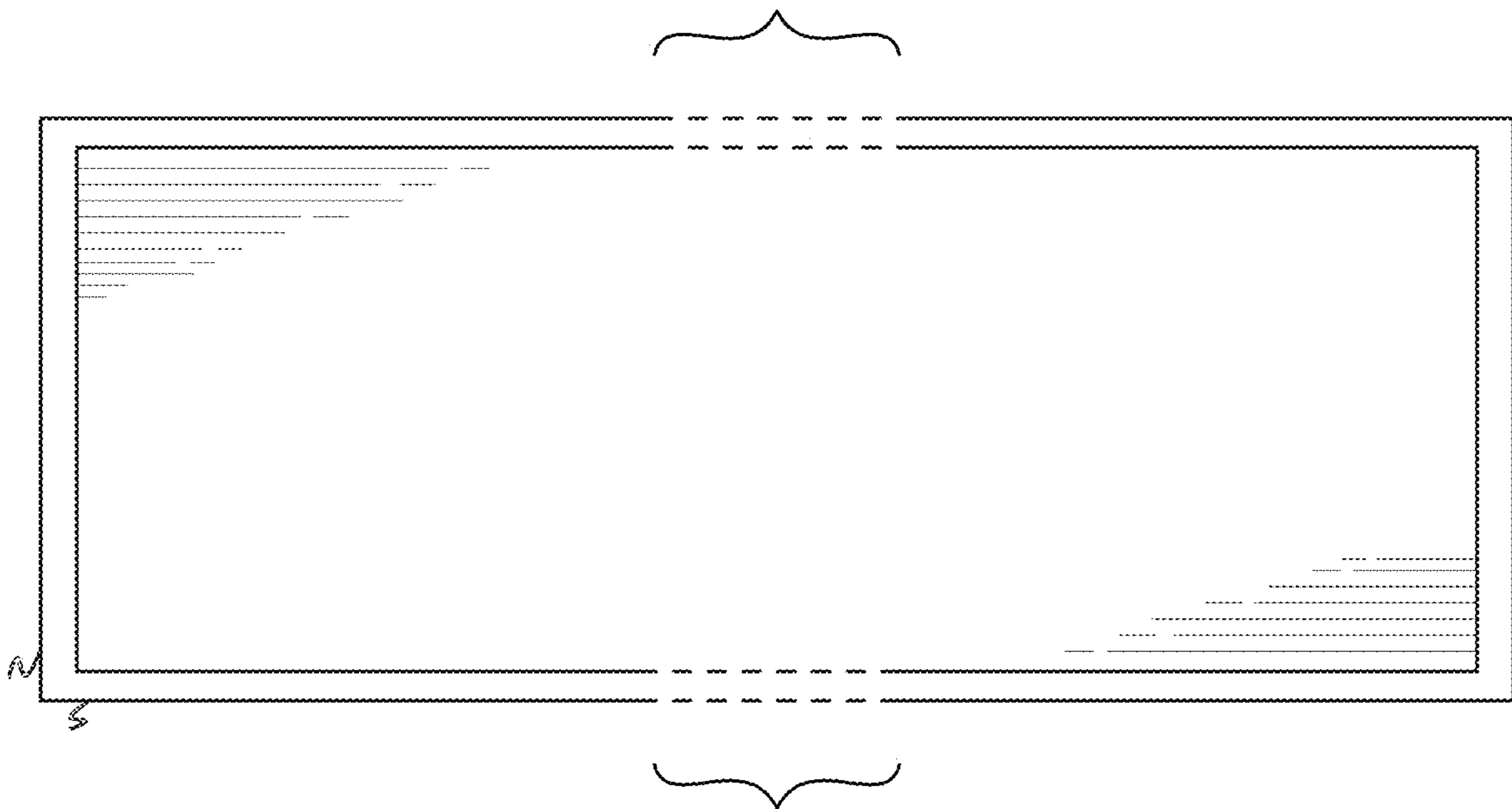


FIG. 6

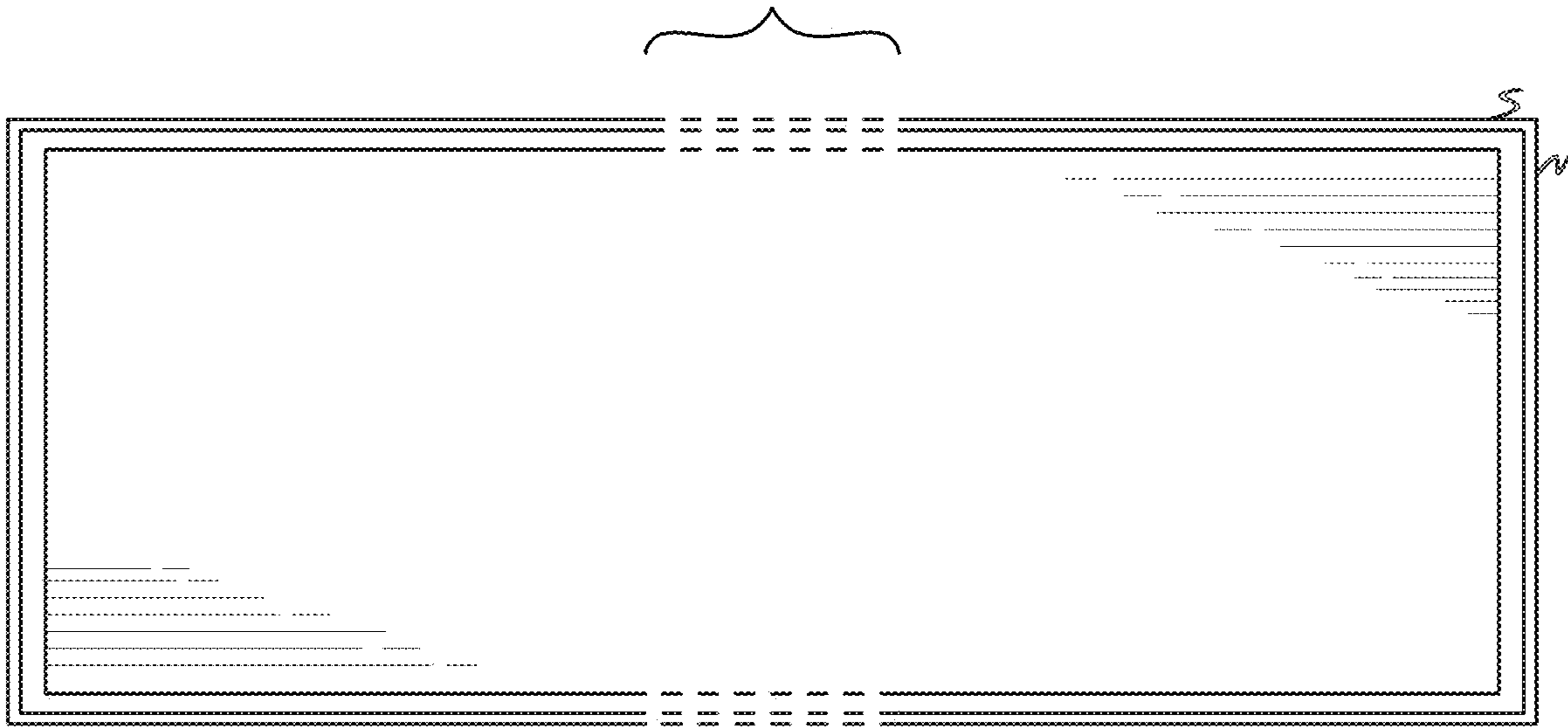


FIG. 7

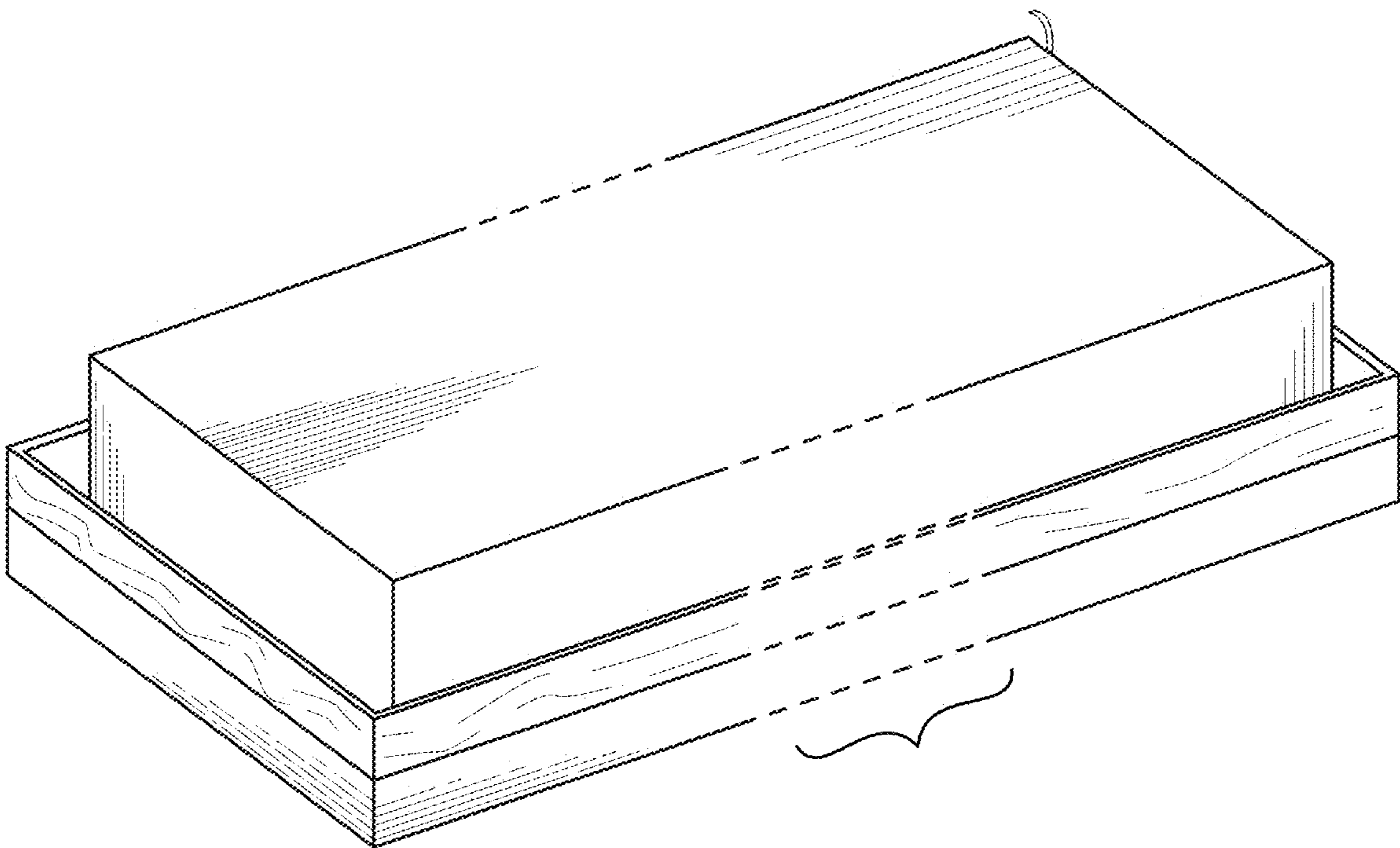


FIG. 8