



US00D908039S

(12) **United States Design Patent**  
**Hung et al.**

(10) **Patent No.:** **US D908,039 S**  
(45) **Date of Patent:** **\*\* Jan. 19, 2021**

(54) **PLANTER AND PACKAGE COMBINATION**

(71) Applicant: **ATT Southern, Inc.**, Camp Hill, PA (US)

(72) Inventors: **Chun Hung**, Dillsburg, PA (US); **Brian Leahy**, Atlanta, GA (US); **Patrick Guillory**, Smyrna, GA (US); **Phillip Lemke**, Schuylkill Haven, PA (US); **John Carpenter**, Camp Hill, PA (US)

(73) Assignee: **ATT Southern, Inc.**, Camp Hill, PA (US)

(\*\*) Term: **15 Years**

(21) Appl. No.: **29/702,665**

(22) Filed: **Aug. 21, 2019**

**Related U.S. Application Data**

(60) Division of application No. 29/586,077, filed on Nov. 30, 2016, now Pat. No. Des. 862,282, which is a continuation-in-part of application No. 29/567,117, filed on Jun. 6, 2016, now Pat. No. Des. 837,094.

(51) **LOC (13) Cl.** ..... **11-02**

(52) **U.S. Cl.**  
USPC ..... **D11/152**

(58) **Field of Classification Search**

USPC ..... D11/151, 154, 156, 152, 157, 143, 148, D11/425; D6/403, 405, 513, 556, 572, D6/565, 573, 675.1, 680.1; D21/338; D23/267; D25/164; D34/7; D3/276, D3/292, 308, 313, 315; D7/359, 550.1, D7/554.3, 600; D8/381; D99/5; D9/425  
CPC ..... A47G 7/044; A01G 31/02; A01G 9/12; B65D 85/62

See application file for complete search history.

(56) **References Cited**

**U.S. PATENT DOCUMENTS**

1,059,359 A 4/1913 Hahn  
1,116,694 A 11/1914 Hahn

1,146,515 A 7/1915 Potter  
1,625,620 A 4/1927 Maston  
(Continued)

**OTHER PUBLICATIONS**

U.S. Office Action for U.S. Appl. No. 16/568,732, dated May 22, 2020, 8 pages.

*Primary Examiner* — Karen S Acker

*Assistant Examiner* — Steven B Reinholdt, Jr.

(74) *Attorney, Agent, or Firm* — Brooks Kushman P.C.

(57) **CLAIM**

The ornamental design for a planter and package combination, as shown and described.

**DESCRIPTION**

FIG. 1 is a top perspective view of a planter and package combination according to our new design;

FIG. 2 is a bottom perspective view of the planter and package combination of FIG. 1;

FIG. 3 is a top plan view of the planter and package combination of FIG. 1;

FIG. 4 is a bottom view of the planter and package combination of FIG. 1;

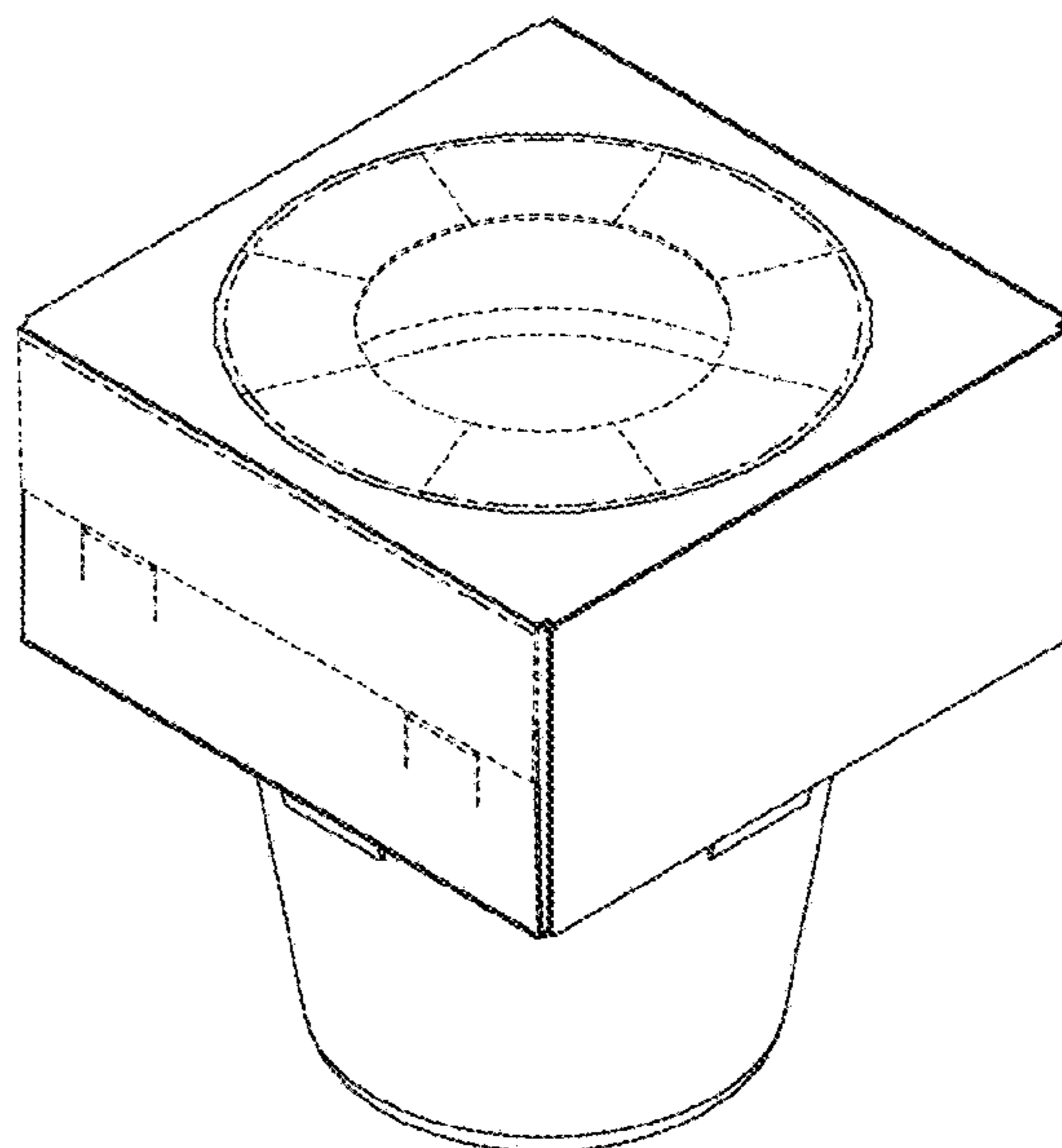
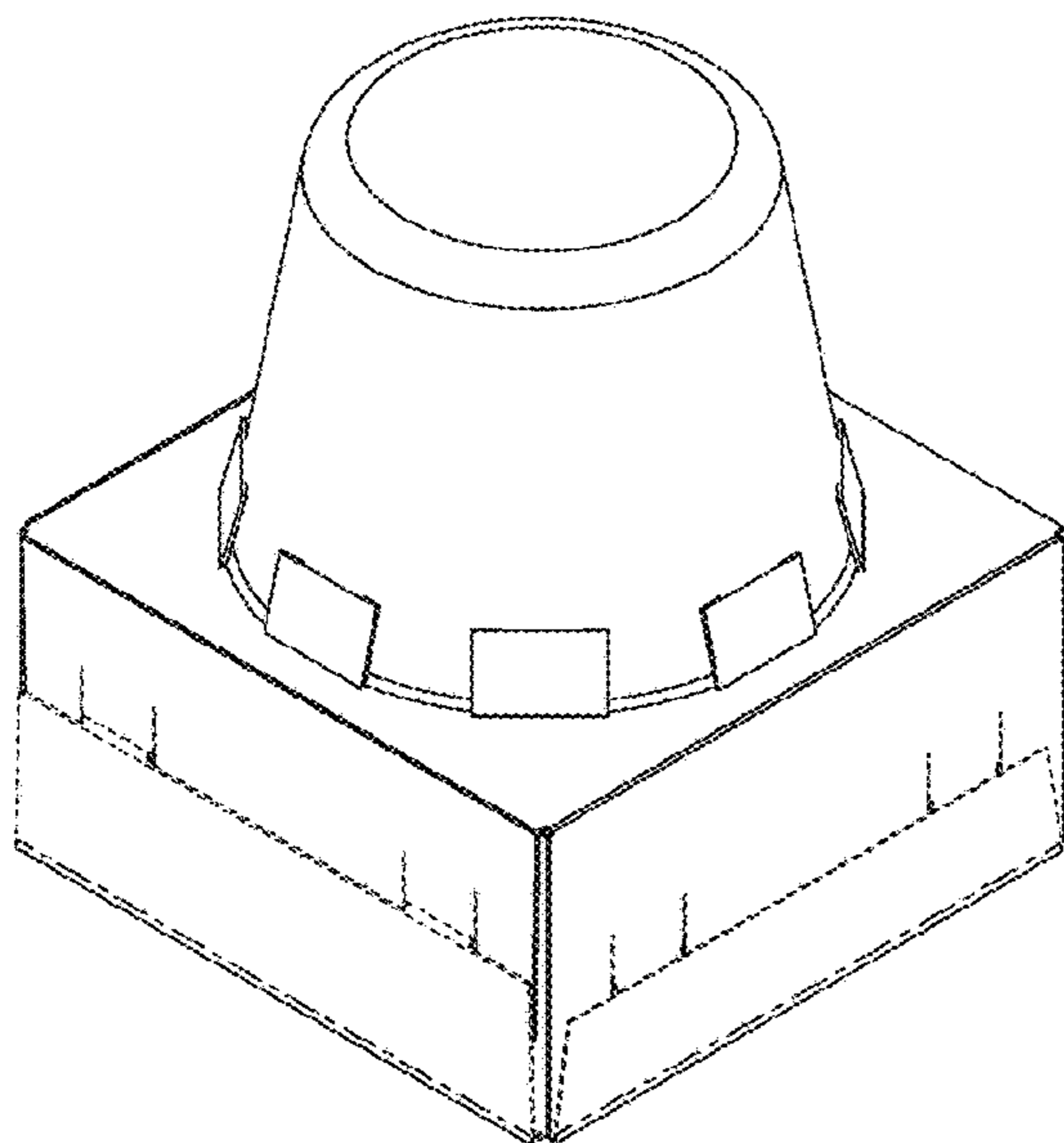
FIG. 5 is a front side elevation view of the planter and package combination of FIG. 1; the rear side elevation view is a mirror image thereof;

FIG. 6 is a left side elevation view of the planter and package combination of FIG. 1; and,

FIG. 7 is a right side elevation view of the planter and package combination of FIG. 1.

The broken lines and the areas within them depict portions of the planter and package combination and form no part of the claimed design. Dot-dash-dot broken lines depict the boundaries of the claim and form no part thereof.

**1 Claim, 3 Drawing Sheets**





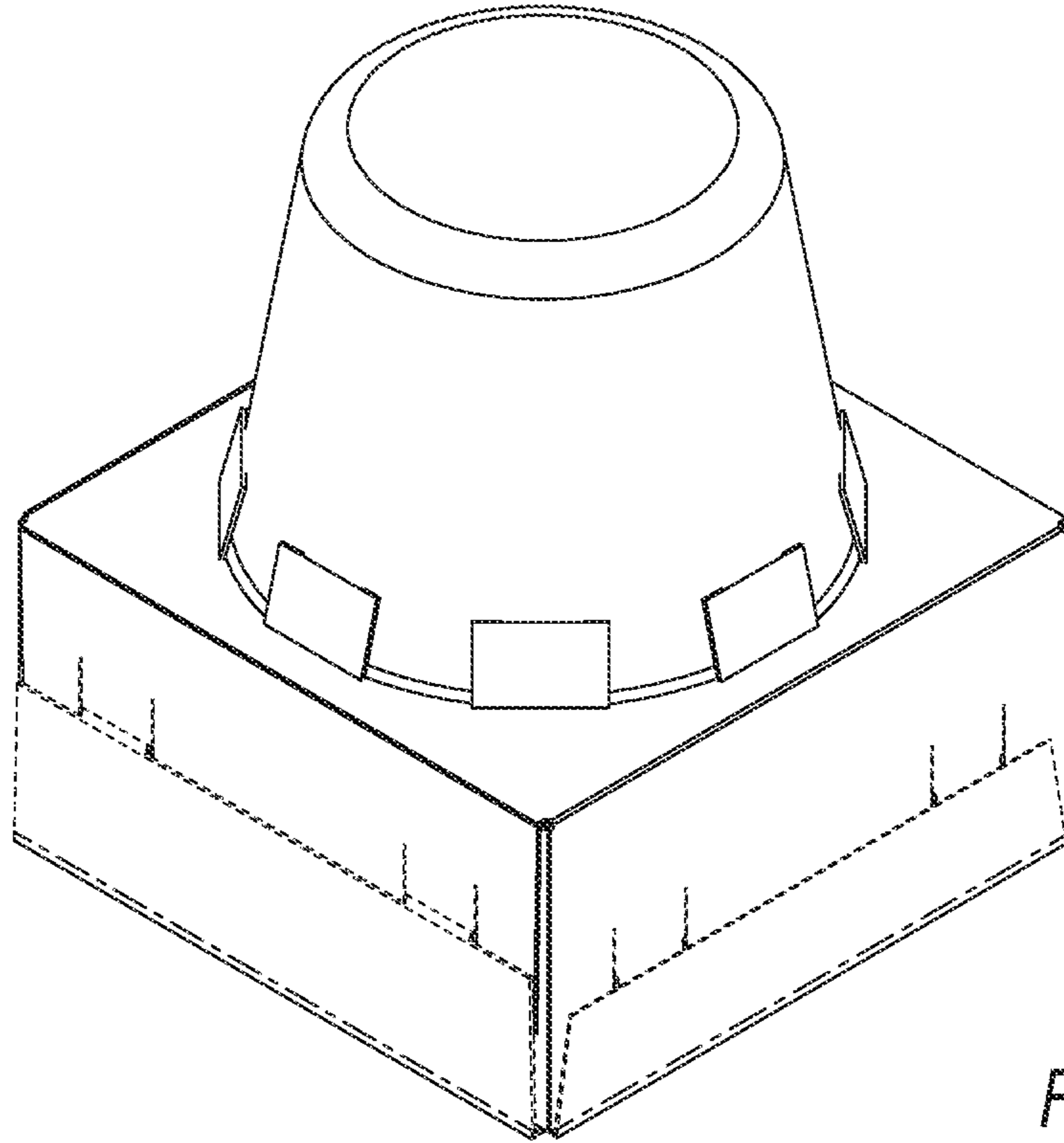


FIG. 1

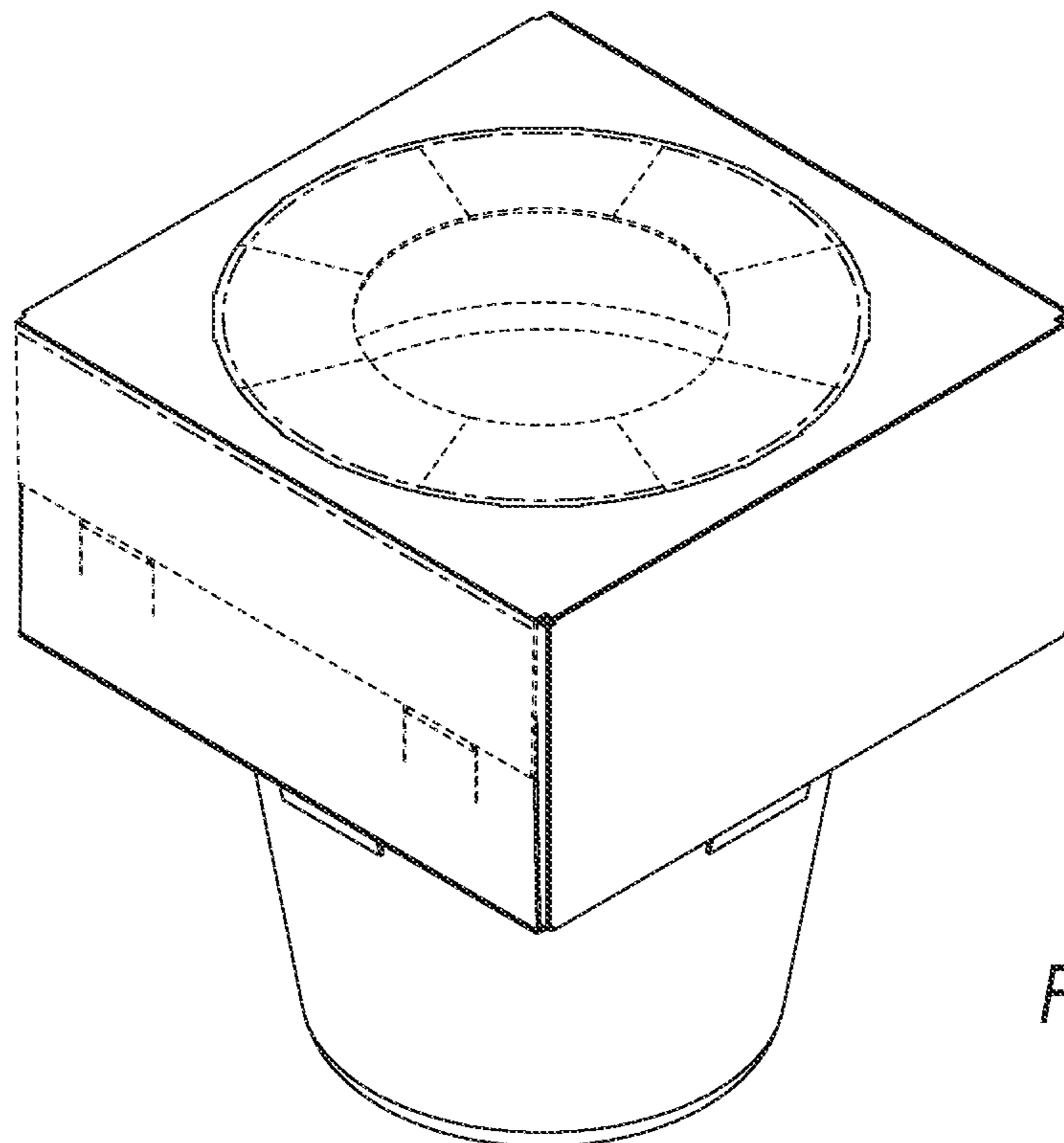


FIG. 2

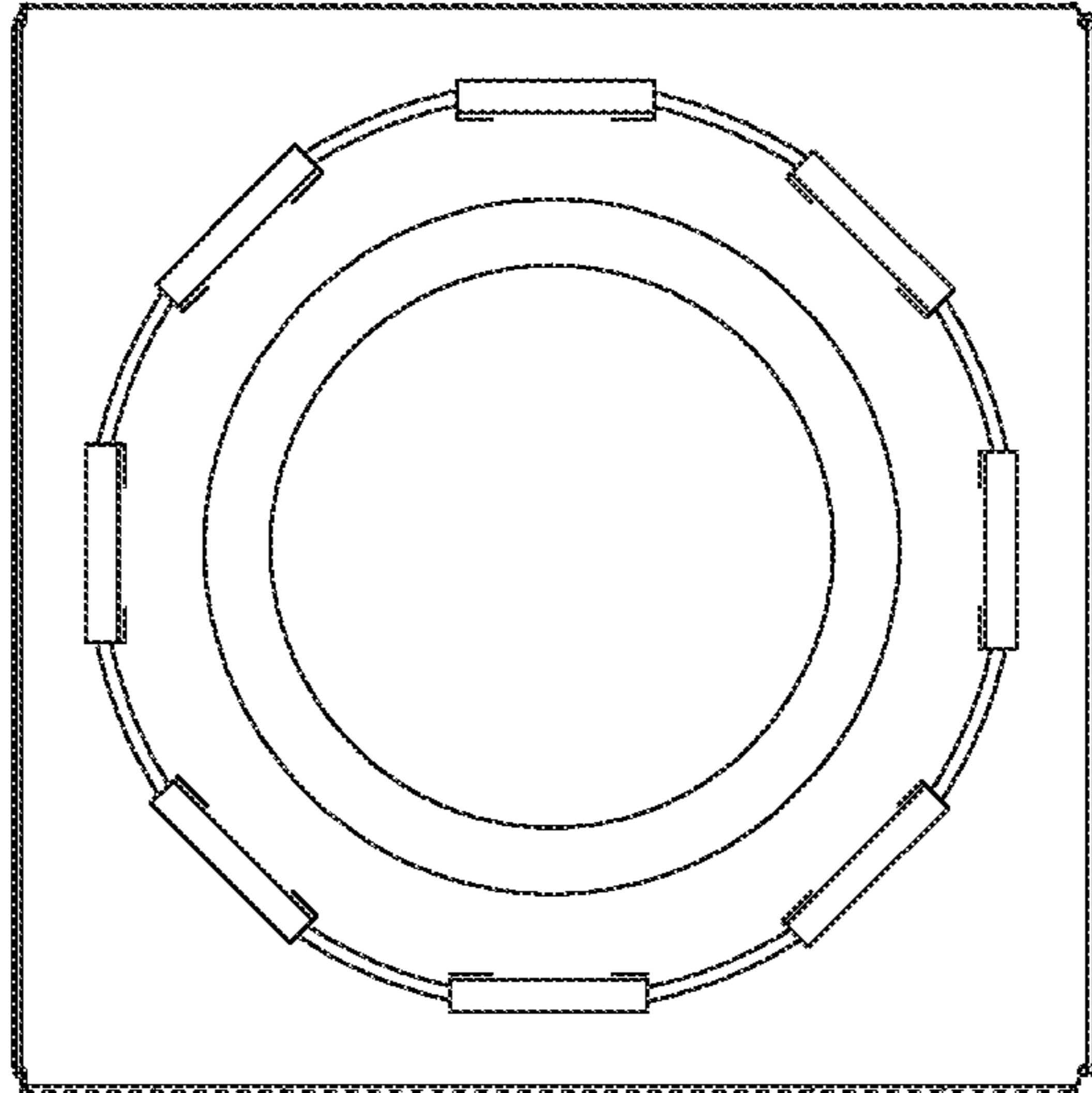


FIG. 3

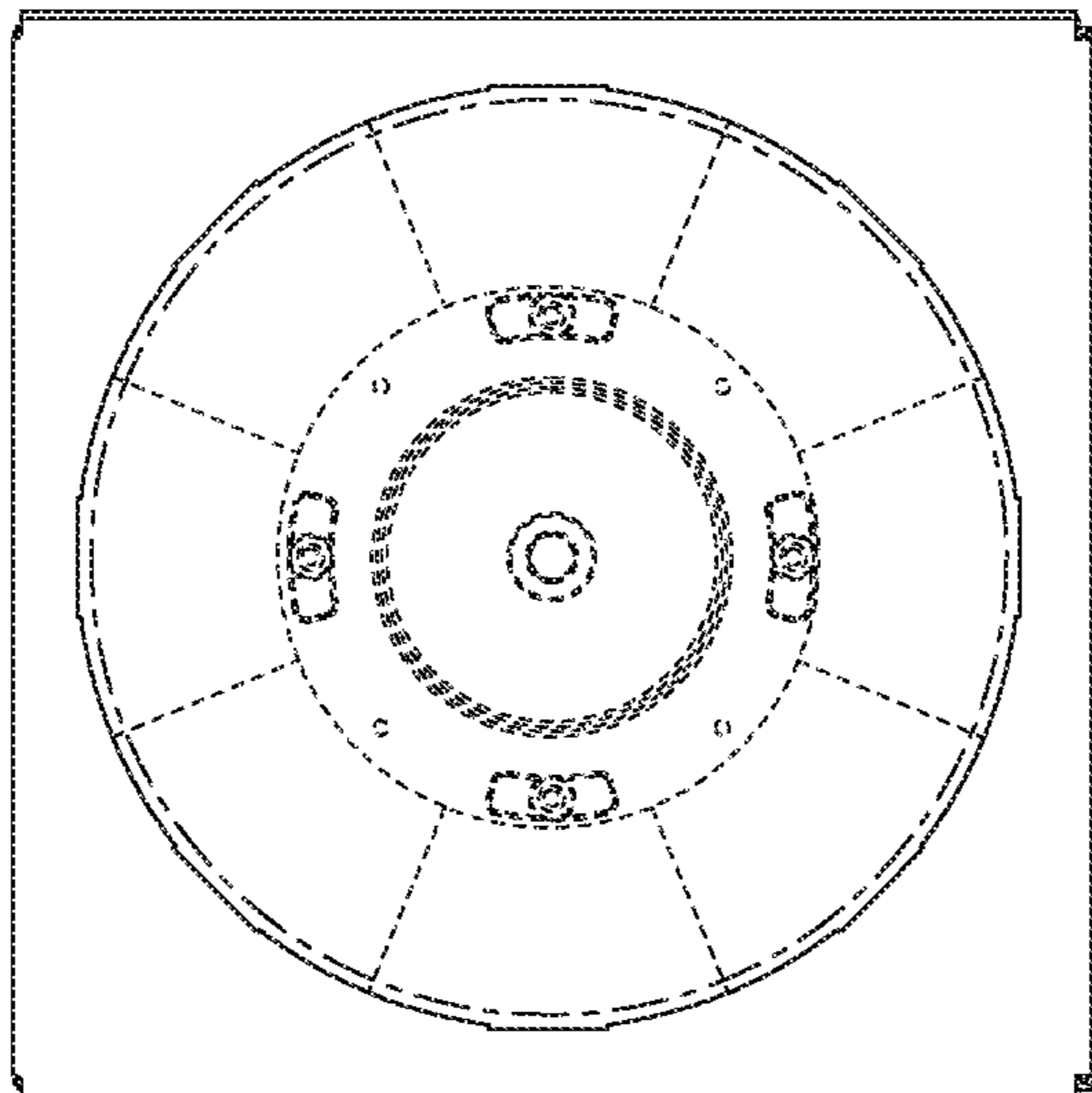


FIG. 4

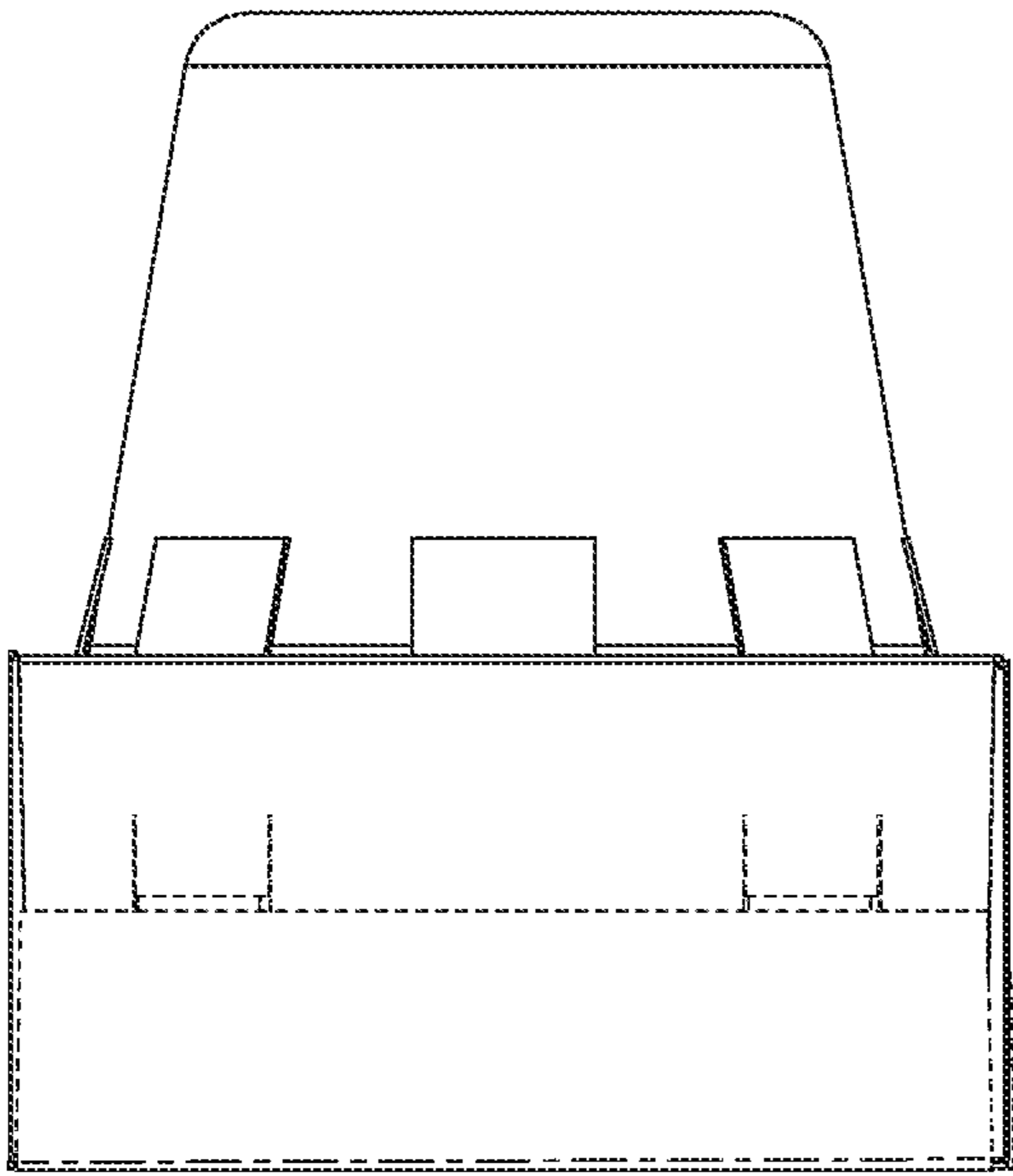


FIG. 5

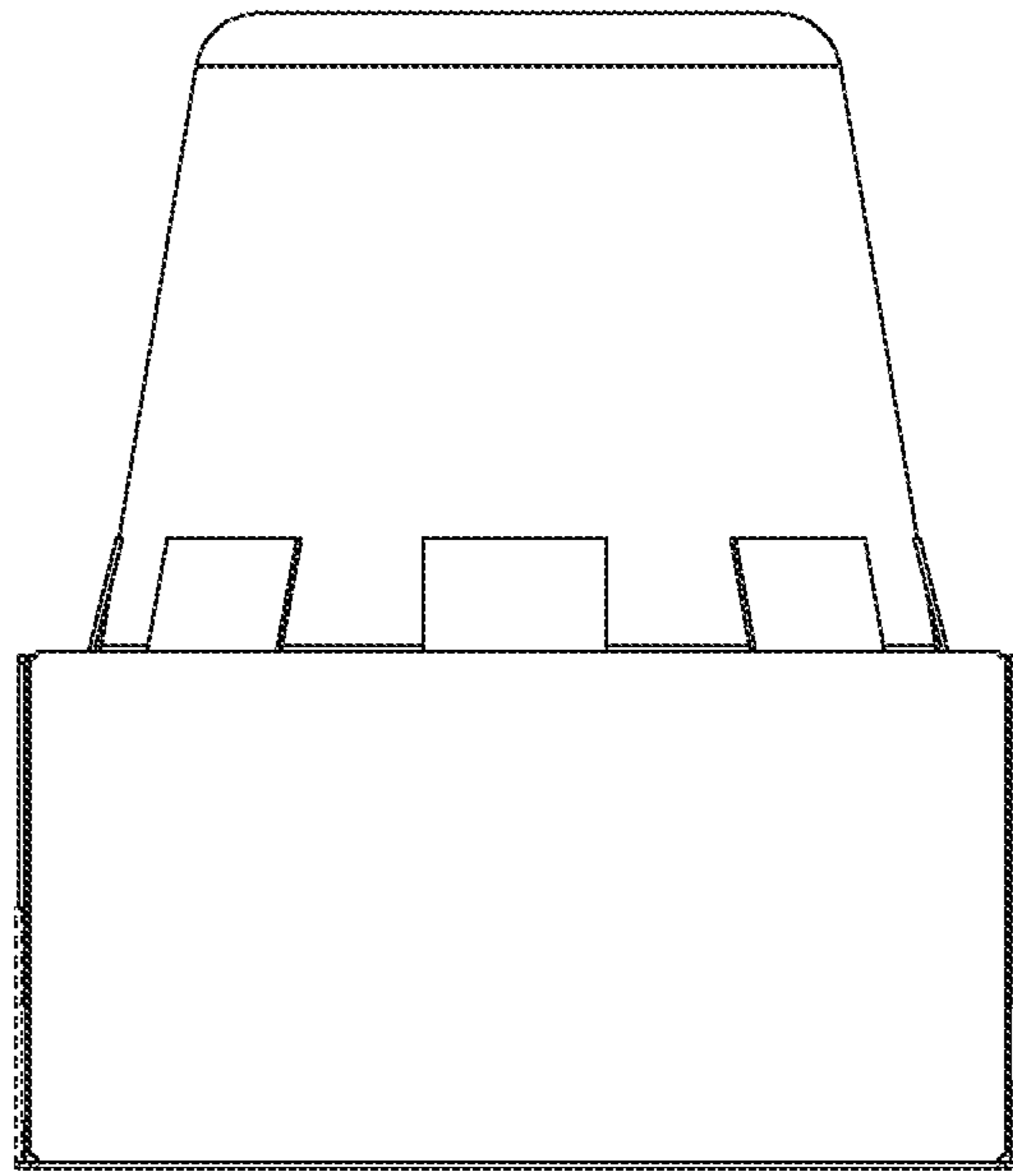


FIG. 6

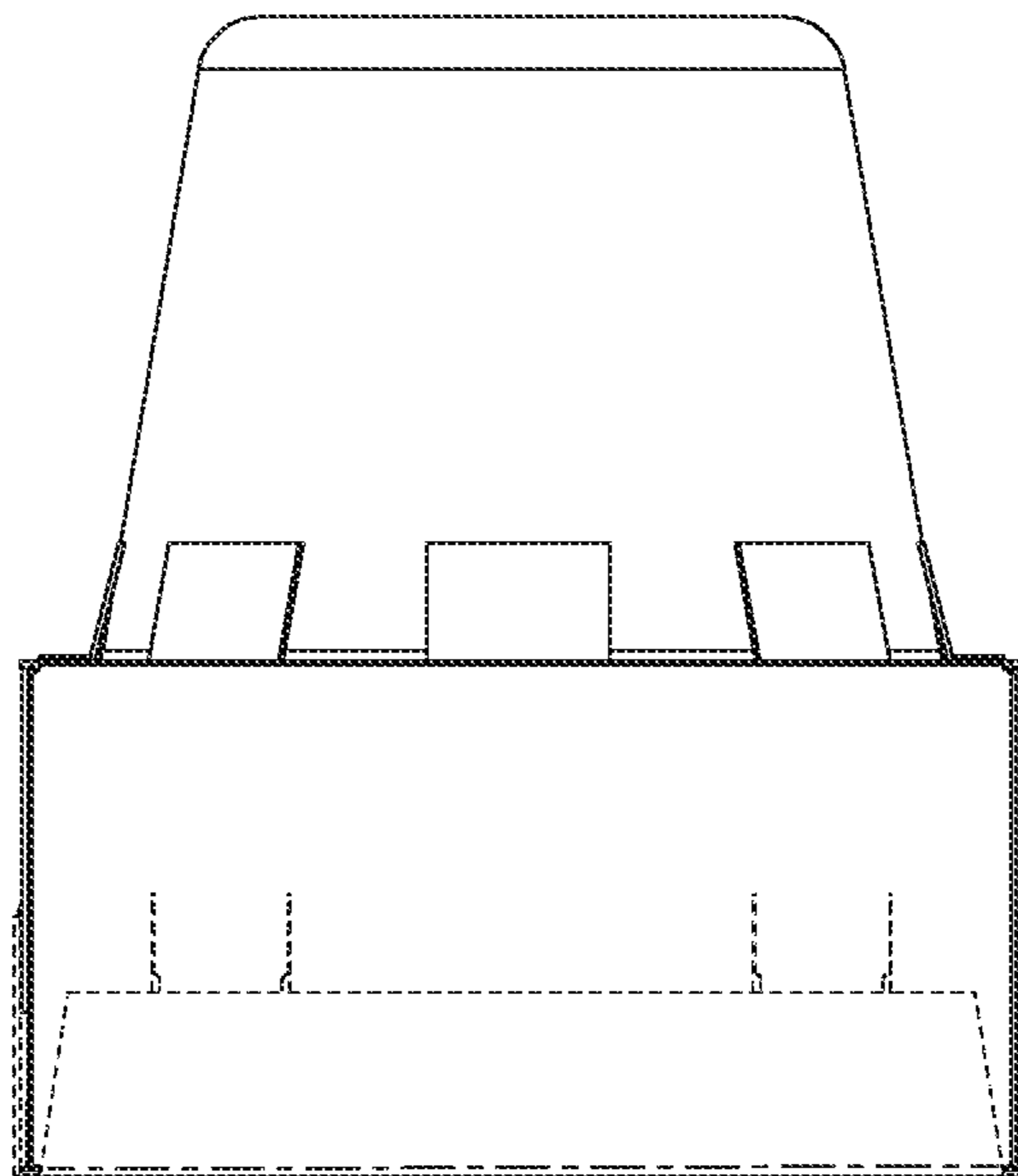


FIG. 7