



US00D908019S

(12) **United States Design Patent**
Ruthe-Steinsiek

(10) **Patent No.:** **US D908,019 S**

(45) **Date of Patent:** **** Jan. 19, 2021**

(54) **DISPENSER**

(71) Applicant: **Henkel AG & Co. KGaA**, Duesseldorf (DE)

(72) Inventor: **Kai Ruthe-Steinsiek**, Duesseldorf (DE)

(73) Assignee: **Henkel AG & Co. KGaA**, Duesseldorf (DE)

(**) Term: **15 Years**

(21) Appl. No.: **29/655,391**

(22) Filed: **Jul. 3, 2018**

(30) **Foreign Application Priority Data**

Jan. 4, 2018 (EM) 004593291

(51) **LOC (13) Cl.** **09-01**

(52) **U.S. Cl.**
USPC **D9/727**

(58) **Field of Classification Search**
USPC D9/442, 503, 695-699, 702-714,
D9/723-729; D24/199; D28/7;
132/317, 318, 320; 222/95, 207, 212,
222/335

CPC A45D 34/00; A45D 40/00; B65D 81/3272
See application file for complete search history.

(56) **References Cited**

U.S. PATENT DOCUMENTS

D328,028 S * 7/1992 Driscoll D9/548
D425,411 S * 5/2000 May D9/730

D464,107 S * 10/2002 Holmes D23/208
D482,620 S * 11/2003 Kleckauskas D9/530
6,648,538 B2 * 11/2003 Gueret A45D 40/04
401/123
D488,064 S * 4/2004 Crawford D9/502
D537,722 S * 3/2007 Jaichandra D9/517
D538,164 S * 3/2007 Zach D9/517
D702,398 S * 4/2014 Fakhouri D27/181
D752,733 S * 3/2016 Zach D23/208
D801,473 S * 10/2017 Zach D23/208

* cited by examiner

Primary Examiner — Janice Patyk

(74) *Attorney, Agent, or Firm* — James E. Piotrowski

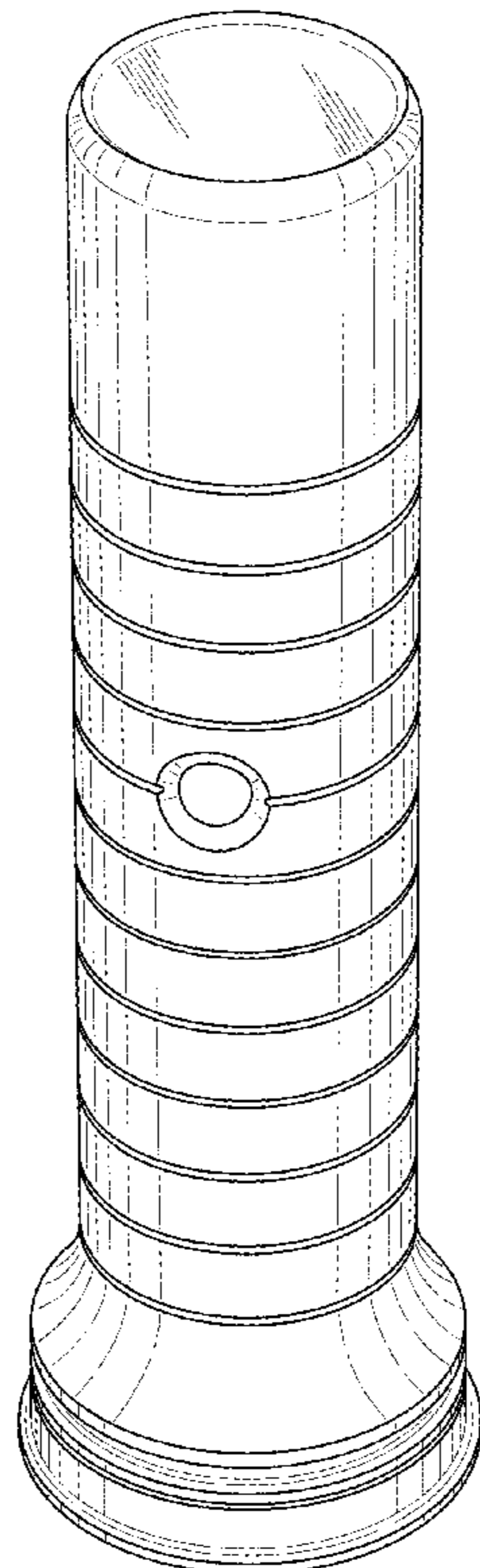
(57) **CLAIM**

The ornamental design for a dispenser, as shown and described.

DESCRIPTION

FIG. 1 is a top perspective view of a dispenser, showing my new design;
FIG. 2 is a front elevational view thereof;
FIG. 3 is a rear elevational view thereof;
FIG. 4 is a left side elevational view thereof;
FIG. 5 is a right side elevational view thereof;
FIG. 6 is a bottom plan view thereof; and,
FIG. 7 is a top plan view thereof.
The broken lines in the Figures illustrate the portions of the design that form no part of the claimed design.

1 Claim, 7 Drawing Sheets



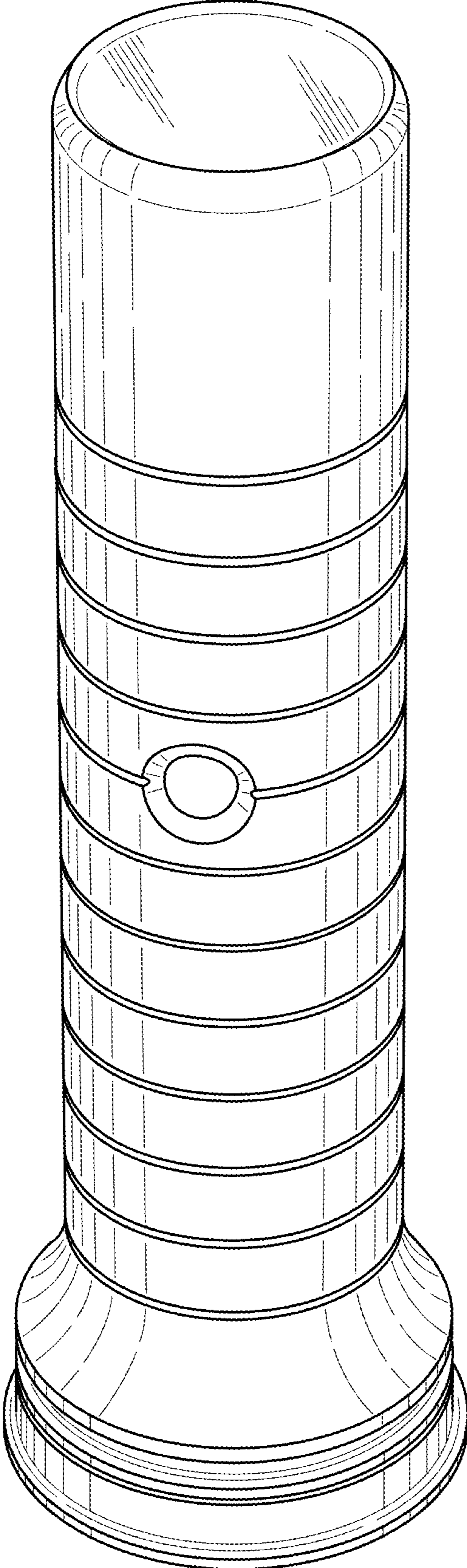


FIG.1

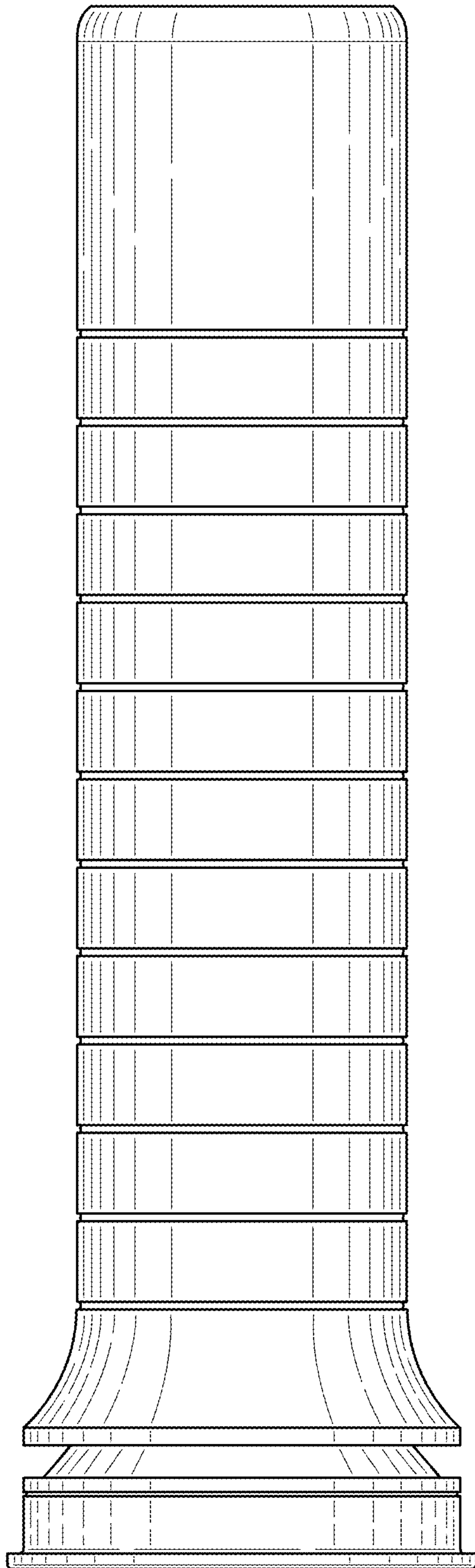


FIG.2

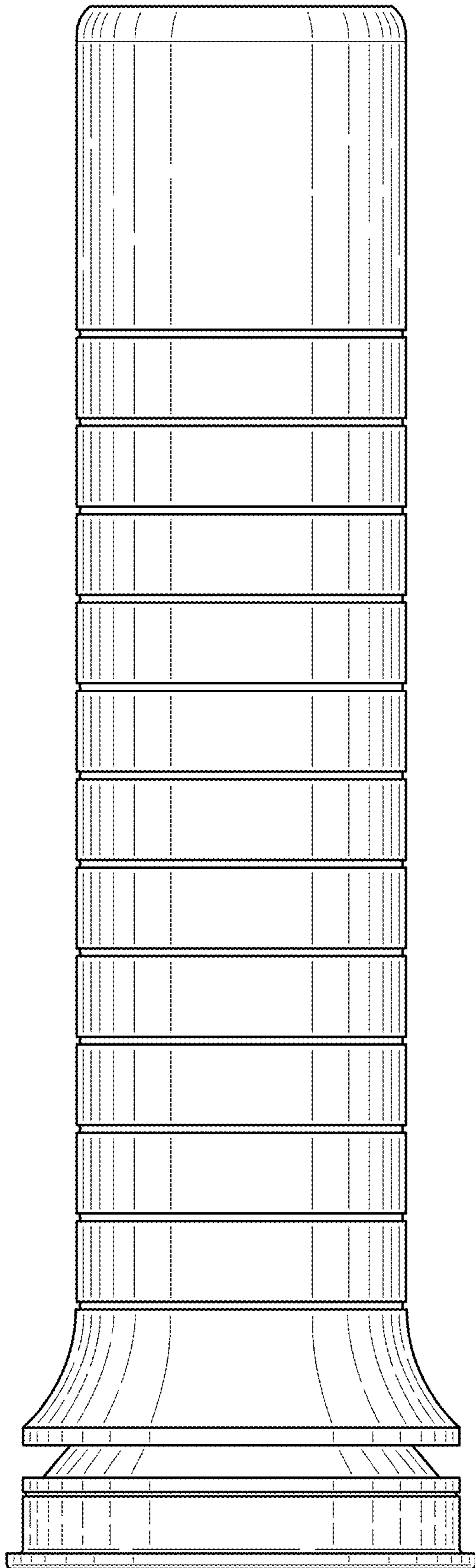


FIG.3

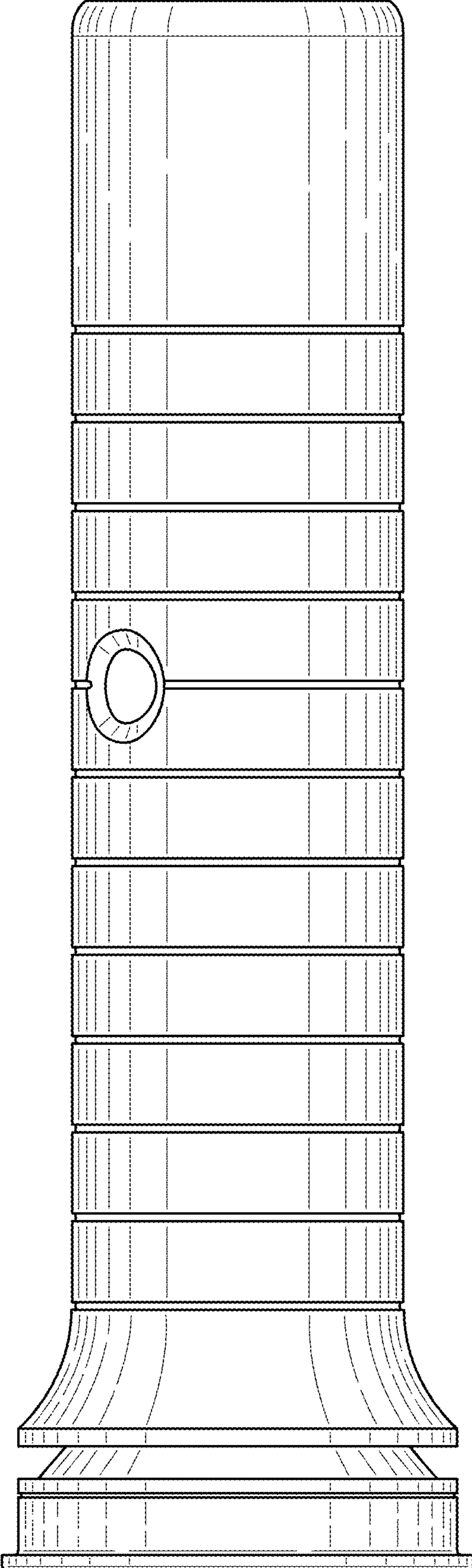


FIG.4

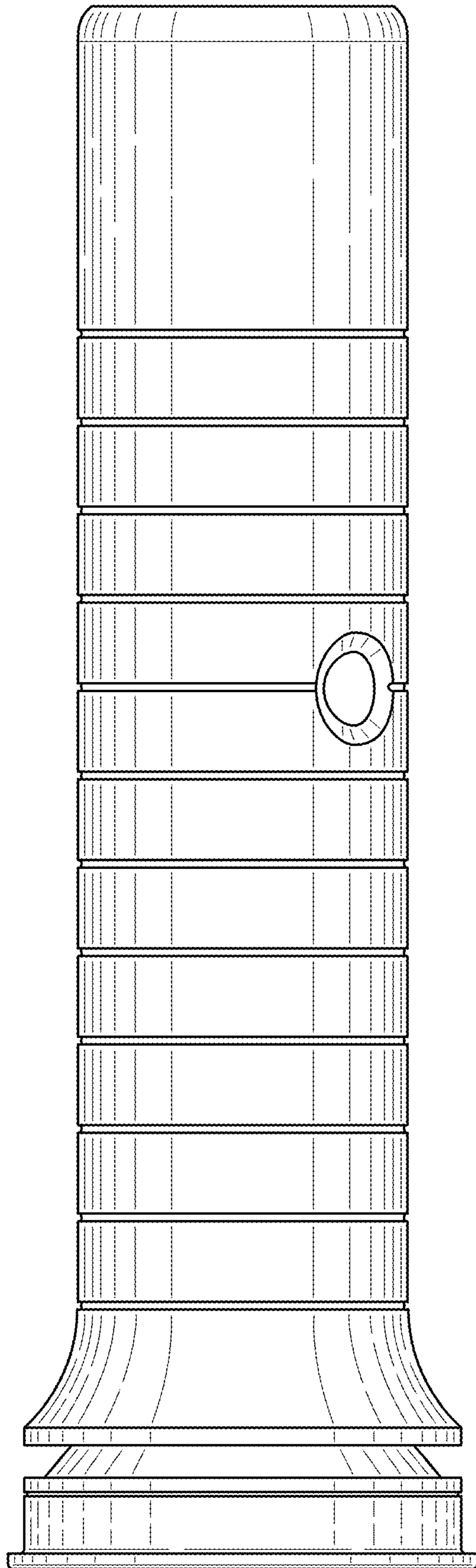


FIG.5

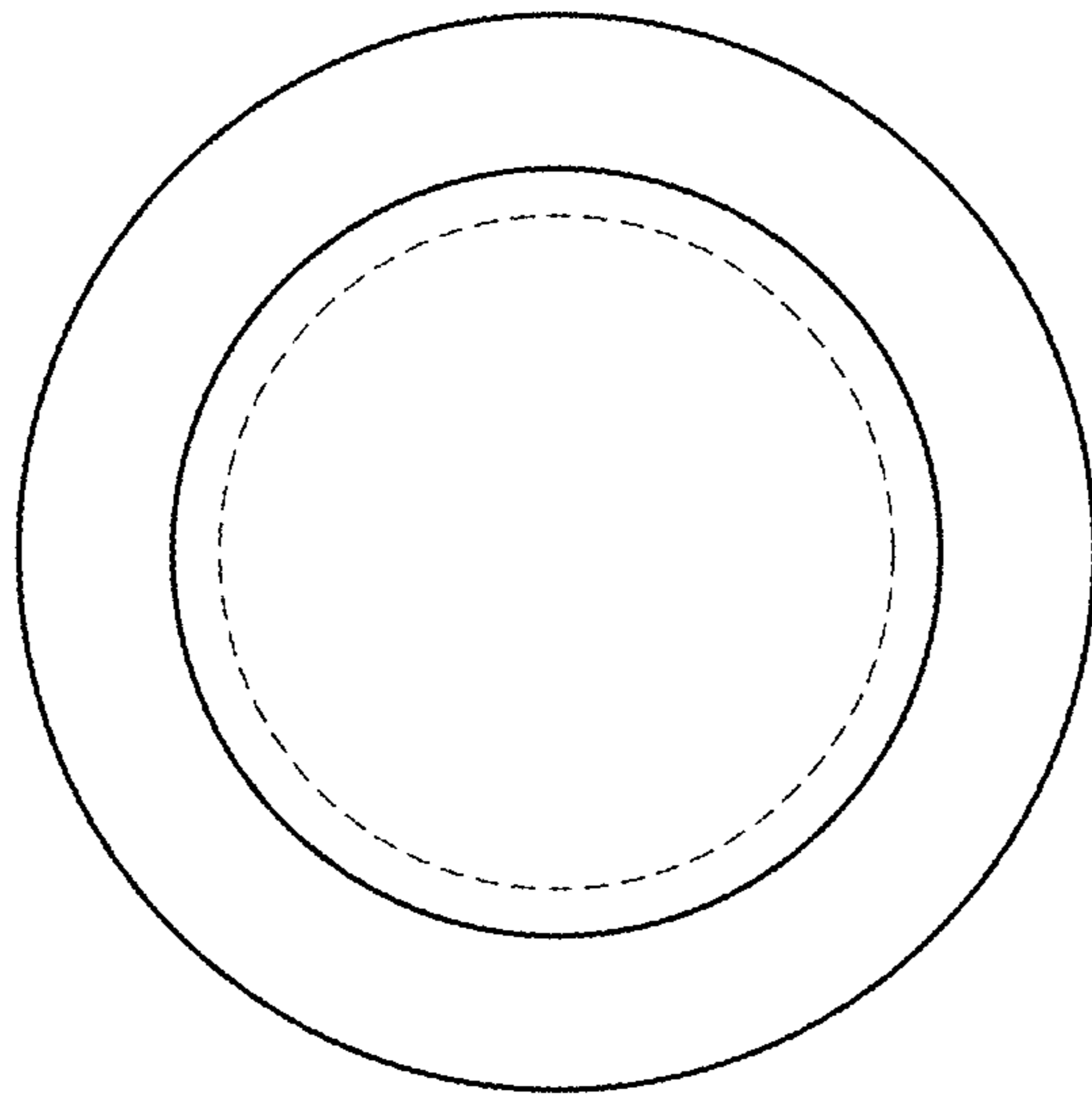


FIG.6

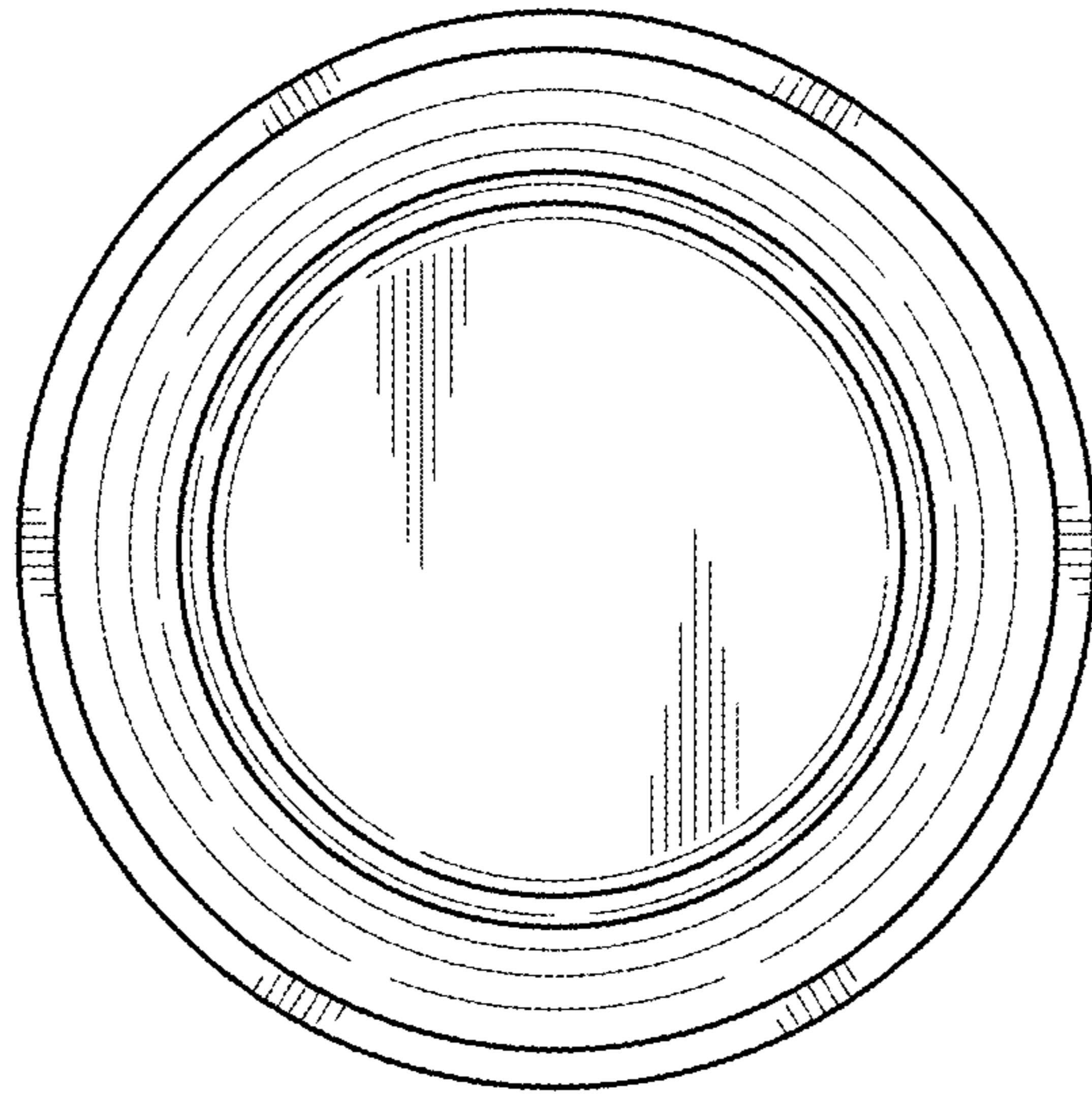


FIG.7