



US00D908016S

(12) **United States Design Patent**  
**Sánchez et al.**

(10) **Patent No.:** **US D908,016 S**

(45) **Date of Patent:** **\*\* Jan. 19, 2021**

(54) **BOTTLE**

(71) Applicant: **Reckitt & Colman (Overseas)**  
**Hygiene Home Limited, Slough (GB)**

(72) Inventors: **José Maria Sánchez, Barcelona (ES);**  
**Ramon Martinez de Sarasa, Llinars**  
**del Vallès (ES)**

(73) Assignee: **Reckitt & Colman (Overseas)**  
**Hygiene Home Limited, Slough (GB)**

(\*\*) Term: **15 Years**

(21) Appl. No.: **29/734,049**

(22) Filed: **May 8, 2020**

(30) **Foreign Application Priority Data**

Nov. 12, 2019 (EP) ..... 007224118

(51) **LOC (13) Cl.** ..... **09-01**

(52) **U.S. Cl.**  
USPC ..... **D9/574; D9/563**

(58) **Field of Classification Search**  
USPC ..... D9/434, 516, 530, 542, 549, 550, 558,  
D9/563, 571, 574, 715, 719  
CPC ..... B65D 1/00; B65D 1/02; B65D 1/0223;  
B65D 23/00; B65D 51/32; B65D  
2501/00; B65D 2501/0009; B65D  
2501/0081

See application file for complete search history.

(56) **References Cited**

**U.S. PATENT DOCUMENTS**

D201,997 S *	8/1965	Luedtke	.....	D9/525
D204,707 S *	5/1966	Abbott	.....	D9/526
D205,731 S *	9/1966	Levy	.....	D9/542
D207,429 S *	4/1967	McLean	.....	D9/522
D207,461 S *	4/1967	Argenta	.....	D9/542

D211,709 S *	7/1968	Kingsford	.....	D9/550
D212,278 S *	9/1968	Weckman	.....	D9/550
D219,727 S *	1/1971	Weckman	.....	D9/550
D220,167 S *	3/1971	Baker	.....	D9/542
D222,530 S *	11/1971	Luedtke	.....	D9/529
D225,155 S *	11/1972	Schafer	.....	D9/542
D225,834 S *	1/1973	Kneapler	.....	D9/571
D227,224 S *	6/1973	Schweizer	.....	D9/571
D238,555 S *	1/1976	Blank	.....	D9/550
D238,854 S *	2/1976	Britt	.....	D9/542
D239,368 S *	3/1976	McDonald	.....	D9/558
D246,953 S *	1/1978	Britt	.....	D9/542
D257,504 S *	11/1980	Weckman	.....	D9/563
D259,181 S *	5/1981	Saenz	.....	D9/542
D280,603 S *	9/1985	Johnson	.....	D9/453
D469,022 S *	1/2003	Kuzma	.....	D9/550
D545,211 S *	6/2007	Armstrong	.....	D9/446
D558,590 S *	1/2008	Cowan-Hughes	.....	D9/682
D739,750 S *	9/2015	Luijendijk	.....	D9/529
D759,491 S *	6/2016	Mazur	.....	D9/542
D794,469 S *	8/2017	Yen	.....	D9/563
D821,112 S *	6/2018	Cannamela	.....	D6/542
D821,212 S *	6/2018	Cannamela	.....	D9/542
D821,214 S *	6/2018	Mazur	.....	D9/543

(Continued)

*Primary Examiner* — Dana Meyrow

(74) *Attorney, Agent, or Firm* — Norris McLaughlin PA

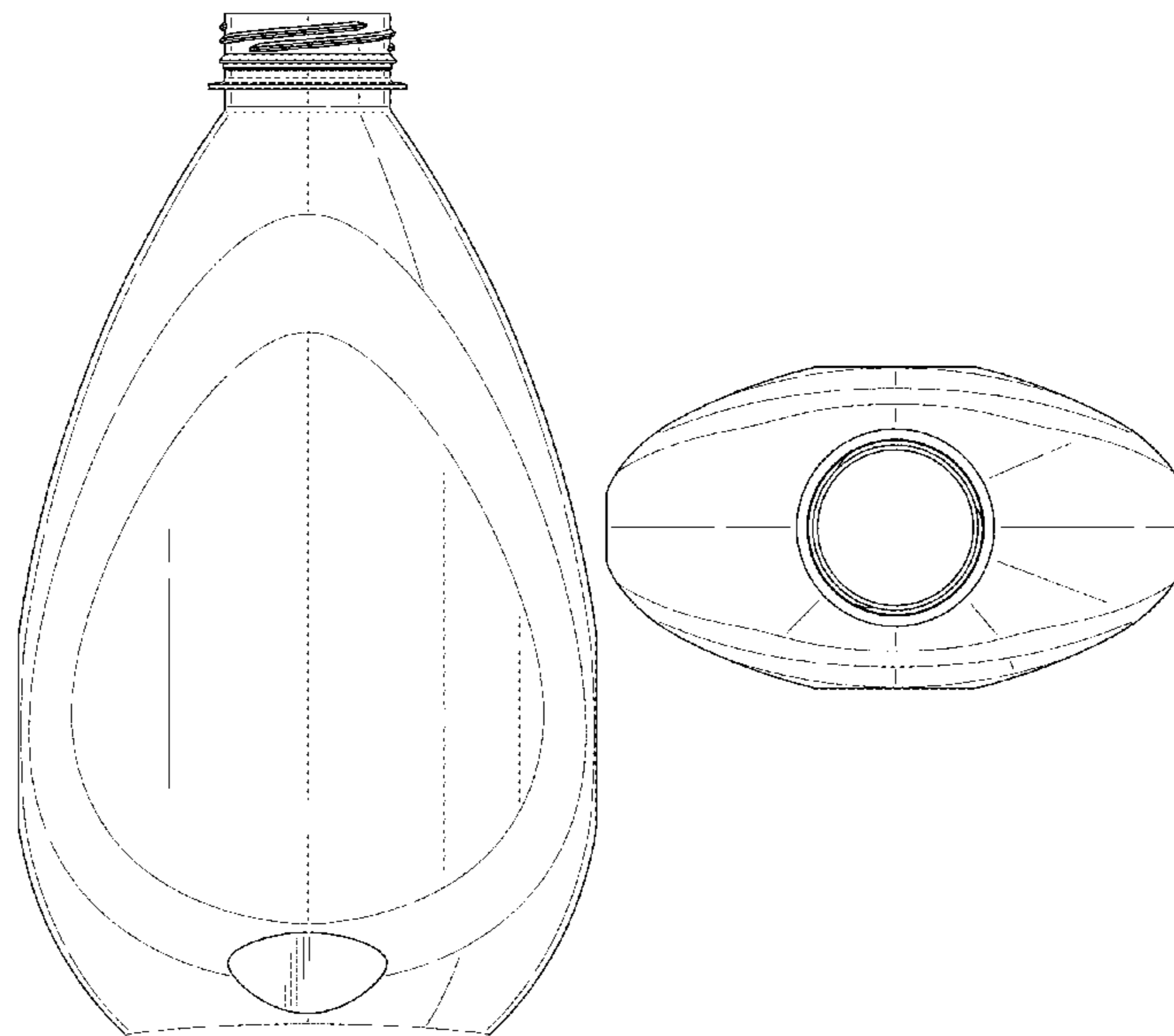
(57) **CLAIM**

The ornamental design for a bottle, as shown and described.

**DESCRIPTION**

FIG. 1 is a front perspective top view of the bottle;  
FIG. 2 is a front side elevational view thereof;  
FIG. 3 is a back side elevational view thereof;  
FIG. 4 is a further side elevational view thereof;  
FIG. 5 is a further side elevational view thereof;  
FIG. 6 is a top plan view thereof; and,  
FIG. 7 is a bottom perspective view thereof.  
The portion of the drawings illustrated in broken lines form  
no part of the claimed design.

**1 Claim, 5 Drawing Sheets**



(56)

**References Cited**

U.S. PATENT DOCUMENTS

D821,882 S *	7/2018	Cannamela .....	D9/529
D821,883 S *	7/2018	Cannamela .....	D9/542
D822,493 S *	7/2018	Cannamela .....	D9/529
D834,940 S *	12/2018	Mazzei .....	D9/529
D839,099 S *	1/2019	Rhodes .....	D9/529
D847,652 S *	5/2019	Forrest .....	D9/551
D871,912 S *	1/2020	McGann .....	D9/543

\* cited by examiner

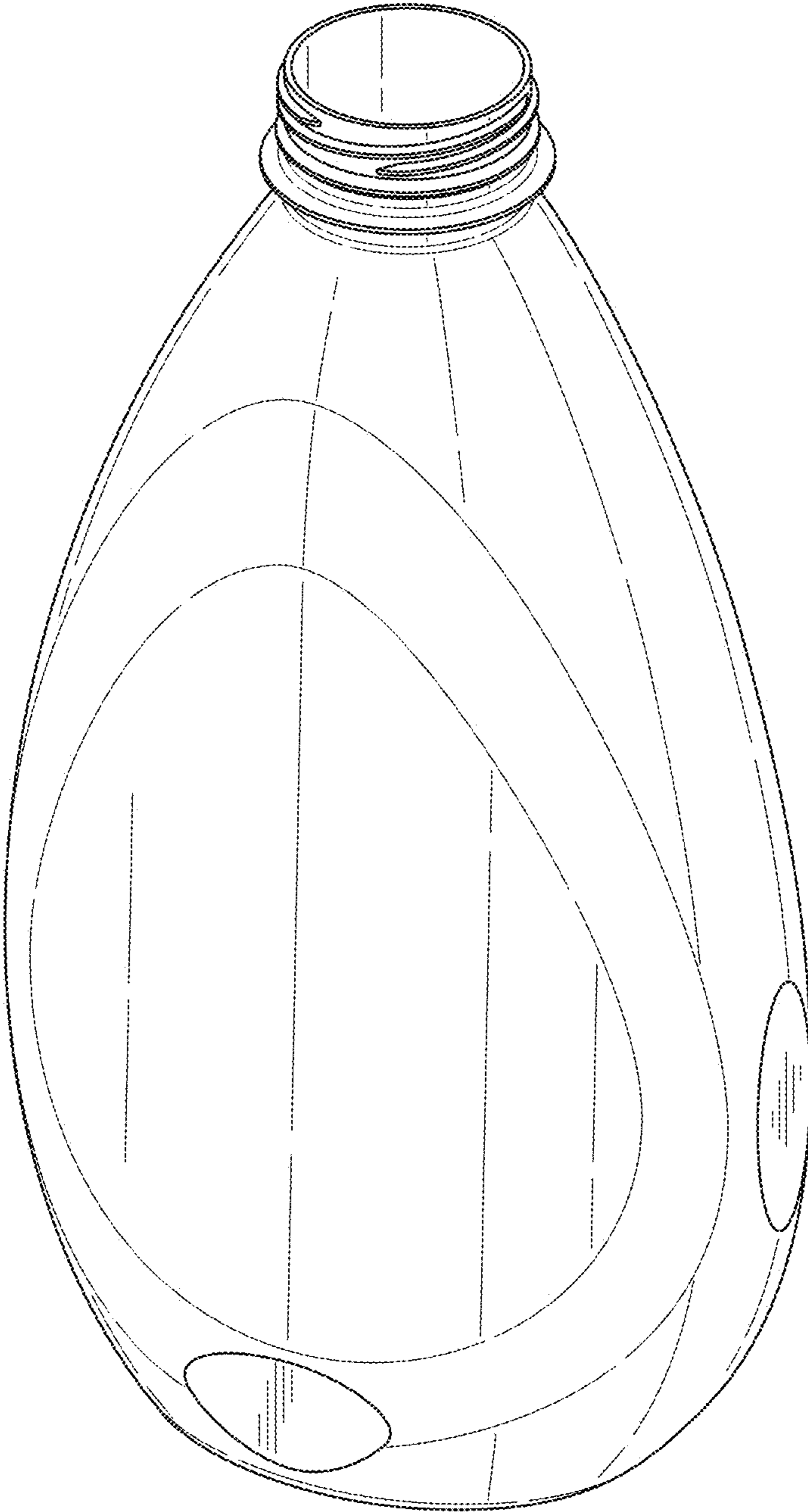


Fig. 1

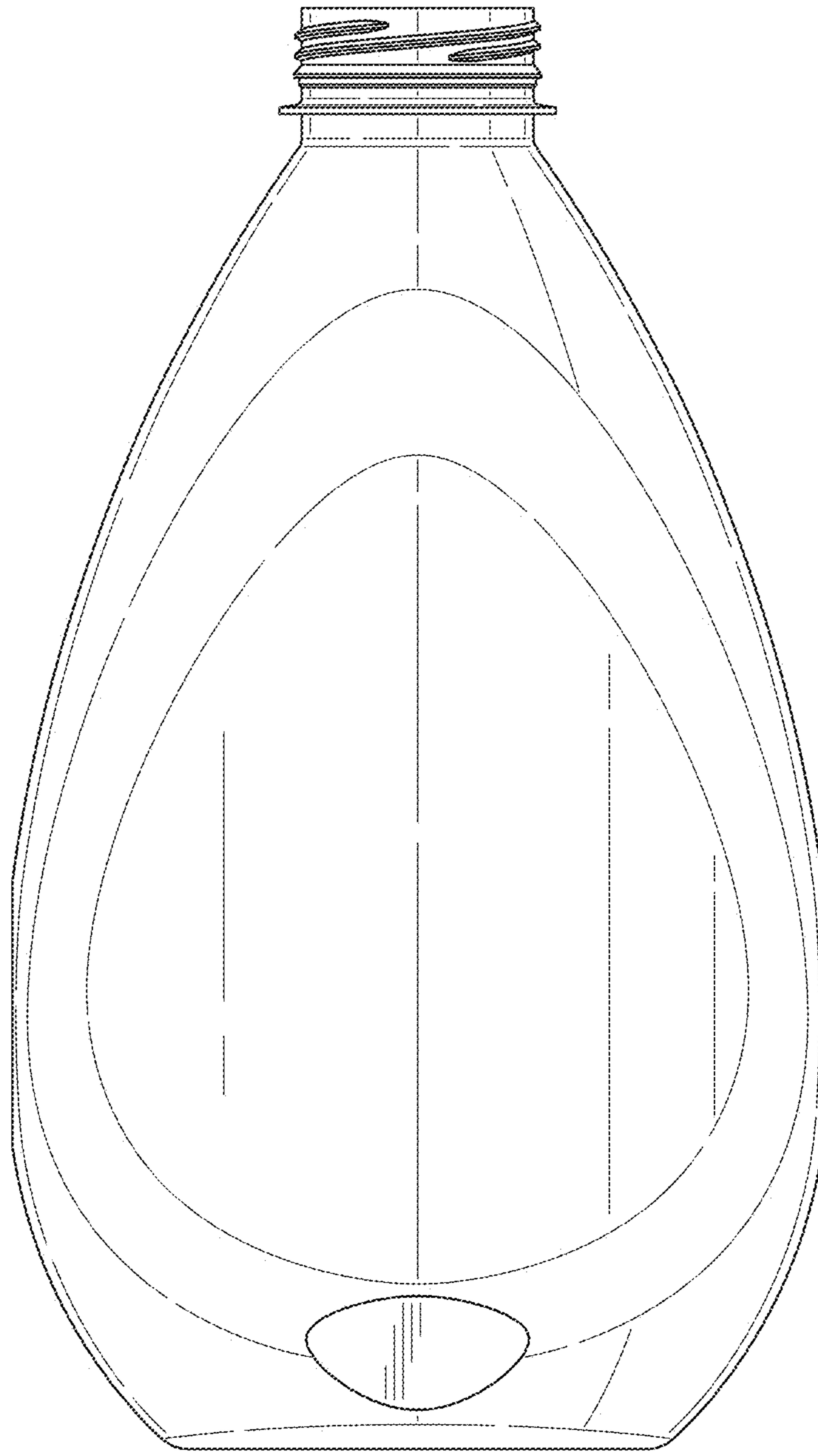


Fig. 2

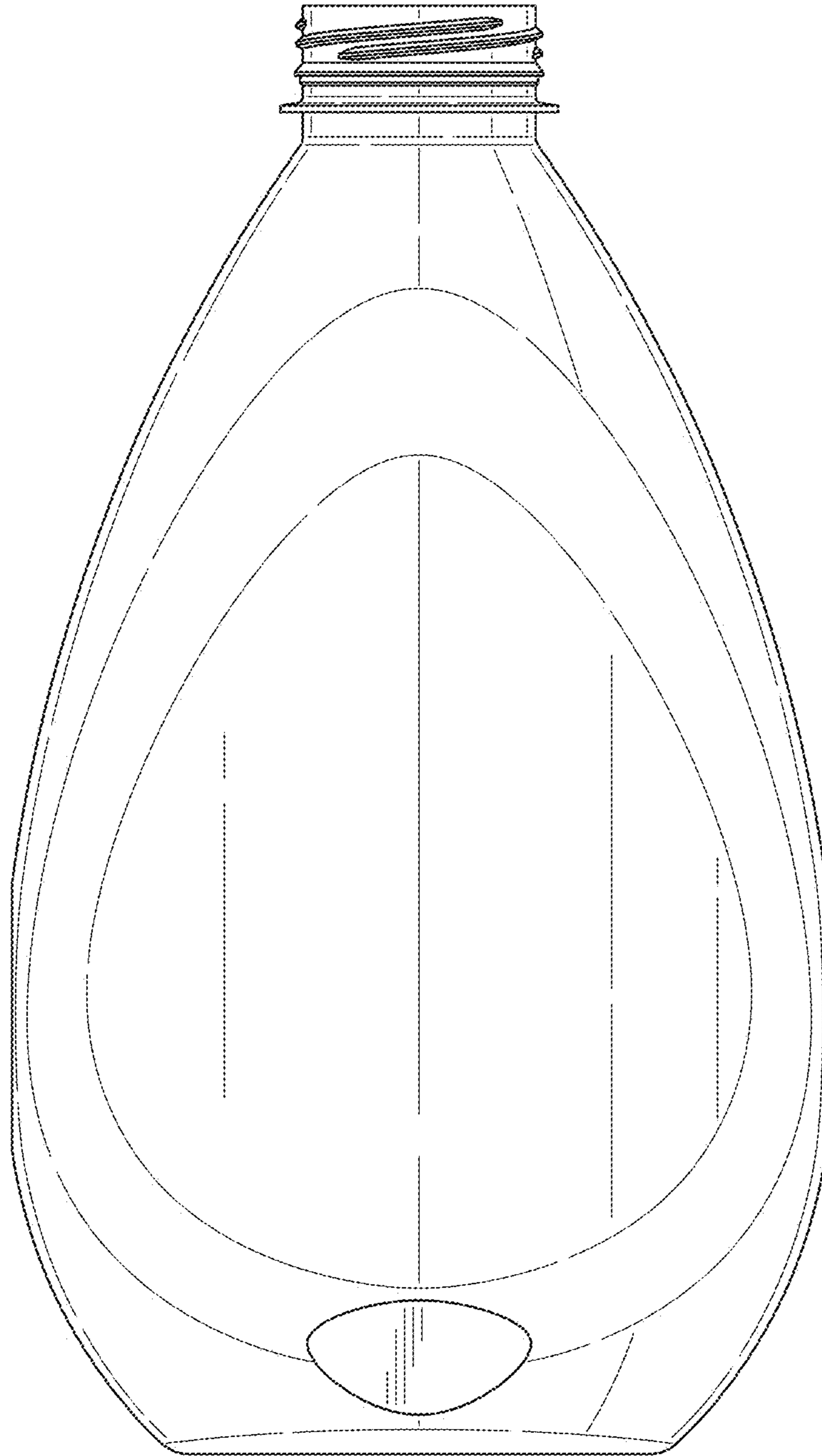


Fig. 3

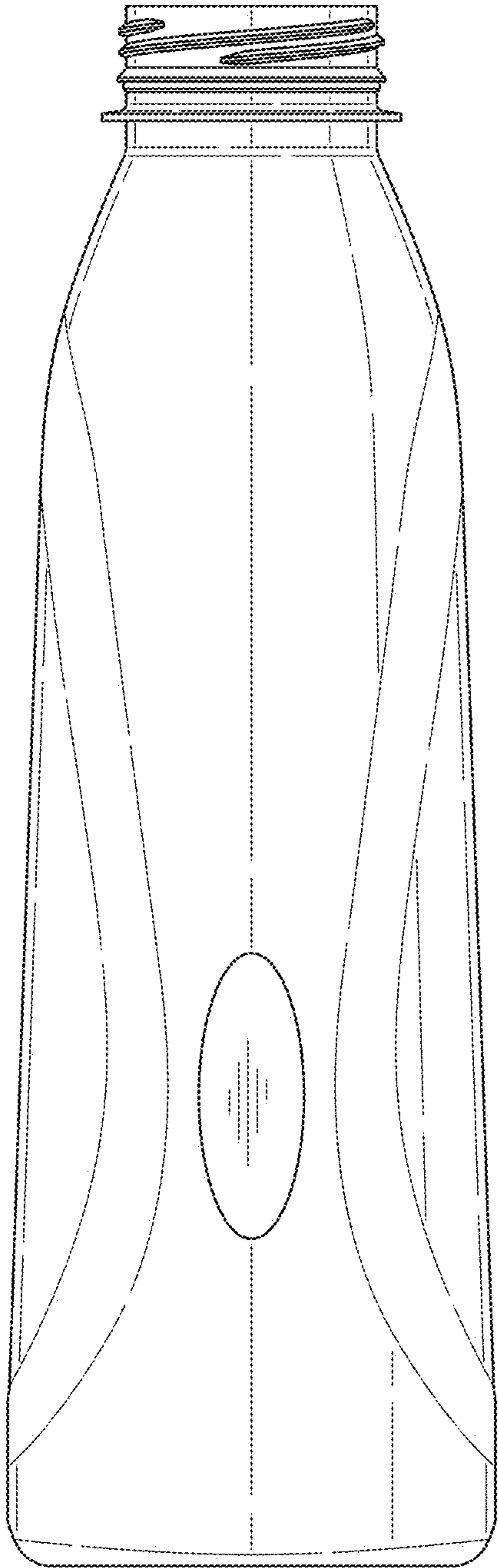


Fig. 4

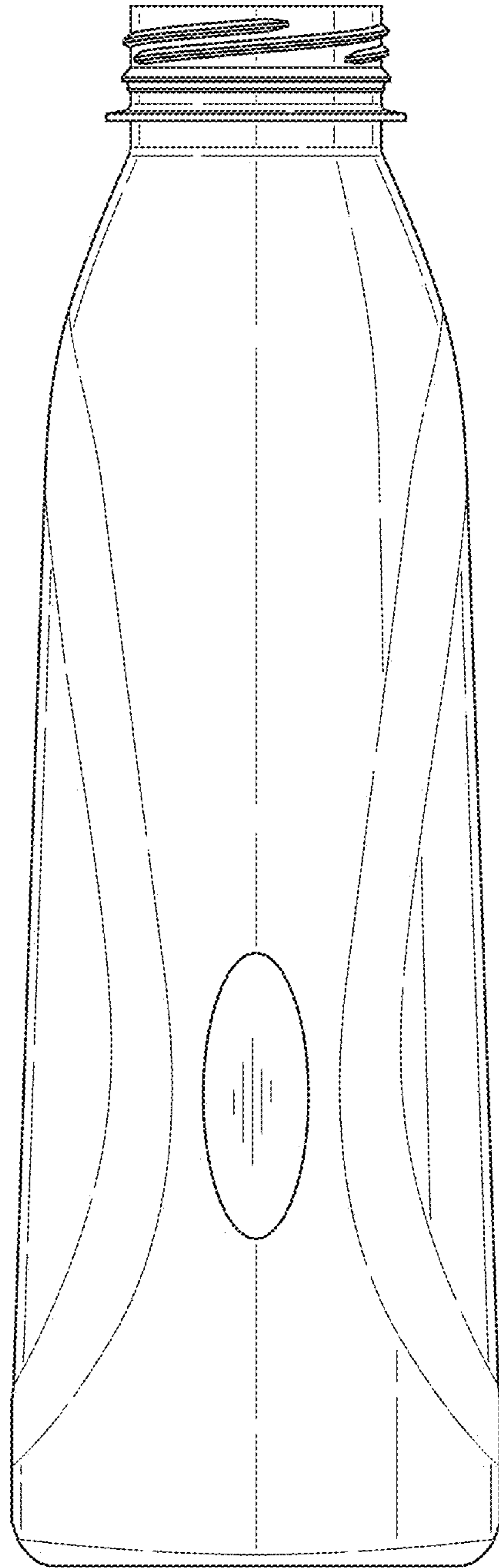


Fig. 5

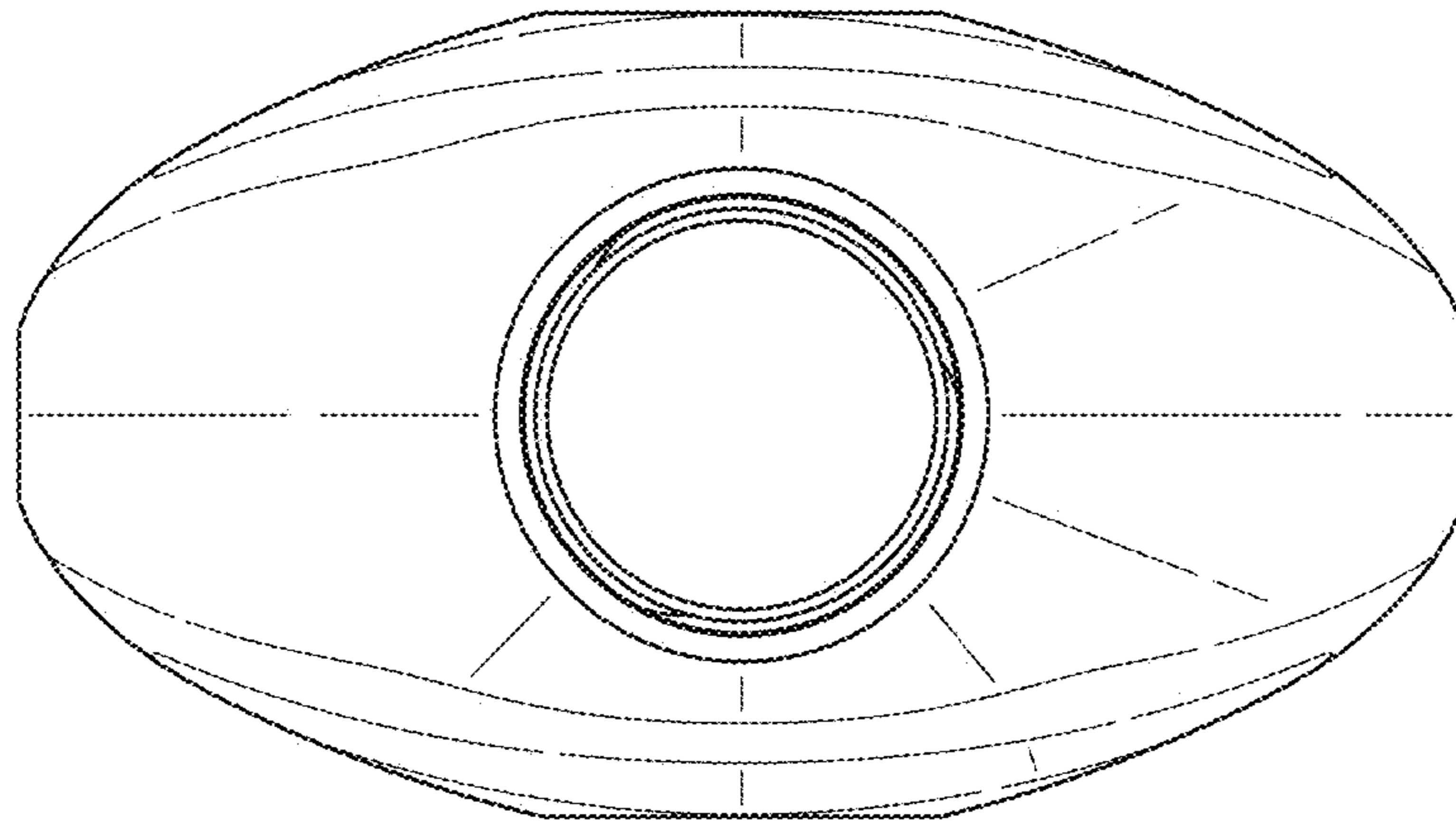


Fig. 6

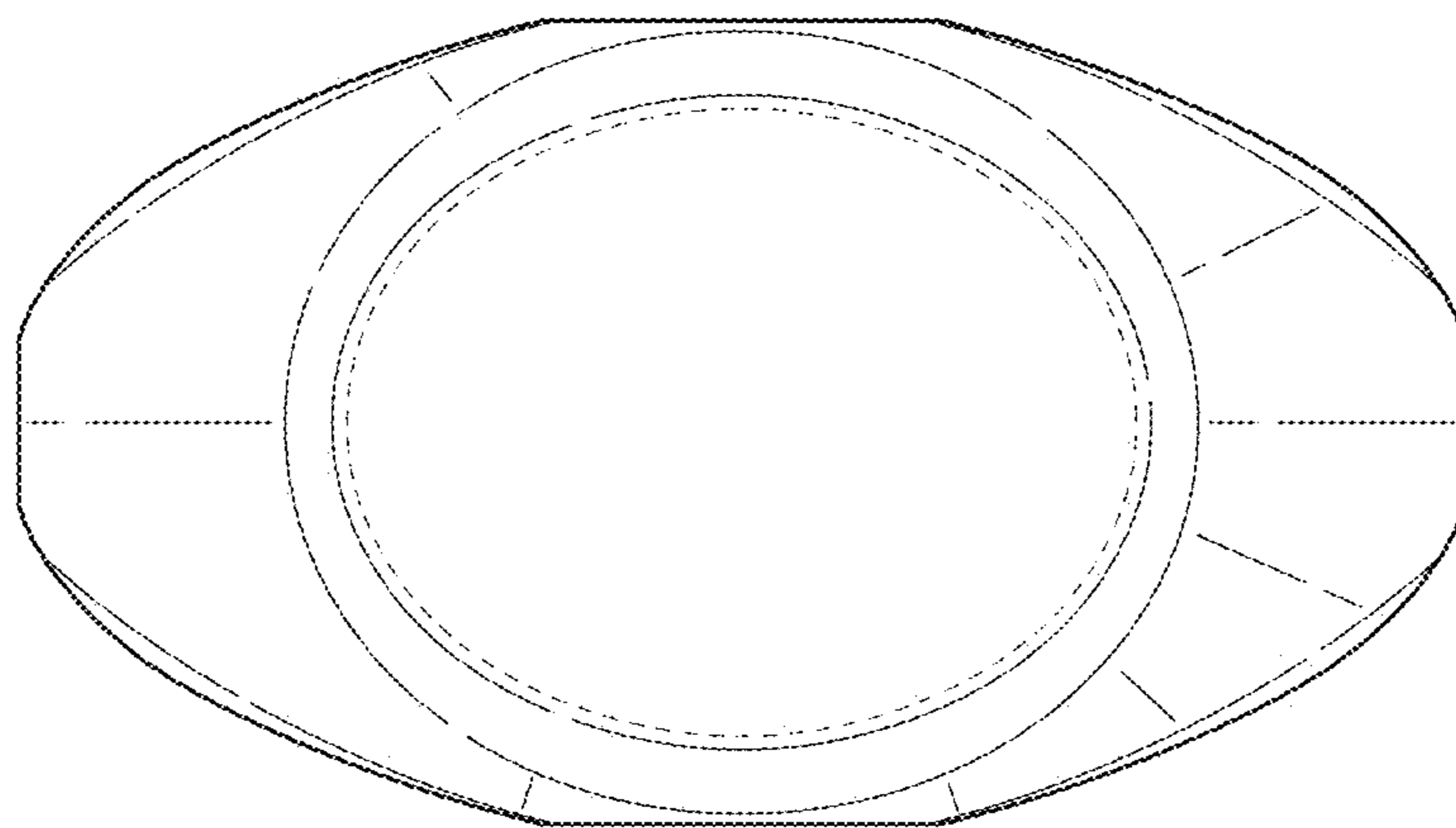


Fig. 7