



US00D908002S

(12) **United States Design Patent**
Bontrager et al.

(10) **Patent No.: US D908,002 S**
(45) **Date of Patent: ** Jan. 19, 2021**

- (54) **LID FOR A FOOD CONTAINER**
- (71) Applicant: **Zume, Inc.**, Camarillo, CA (US)
- (72) Inventors: **Rick Bontrager**, Mountain View, CA (US); **Randall Strange**, Manteca, CA (US)
- (73) Assignee: **Zume, Inc.**, Mountain View, CA (US)
- (**) Term: **15 Years**
- (21) Appl. No.: **29/707,458**
- (22) Filed: **Sep. 27, 2019**
- (51) **LOC (13) Cl.** **09-07**
- (52) **U.S. Cl.**
USPC **D9/454**; D9/443; D7/391; D7/392.1
- (58) **Field of Classification Search**
USPC D9/414, 424, 425, 428, 432, 434, 435, D9/436, 439, 440, 443-450, 452-457, D9/499, 503, 682, 685, 686; D7/387, D7/391, 392, 392.1, 396.2, 510, 511, 538, D7/900, 629; D3/202, 203.2; D28/91, D28/91.1
CPC .. A61J 1/00; A61J 1/1412; B65D 1/00; B65D 1/02; B65D 1/10; B65D 1/46; B65D 5/46; B65D 41/00; B65D 41/38; B65D 41/56; B65D 41/62; B65D 47/00; B65D 47/06; B65D 47/08; B65D 2251/00; B65D 2543/00046; B65D 2543/00092; B65D 2543/00296
See application file for complete search history.

D275,636 S 9/1984 Picozza
4,471,880 A 9/1984 Taylor
4,705,172 A 11/1987 Gage
(Continued)

FOREIGN PATENT DOCUMENTS

TW 207485 6/1993
TW 531175 5/2003
(Continued)

OTHER PUBLICATIONS

Taiwanese Search Report in Application 109301258, dated Sep. 18, 2020, 1 page.
(Continued)

Primary Examiner — Wendy L Arminio

(57) **CLAIM**

The ornamental design for a lid for a food container, as shown and described.

DESCRIPTION

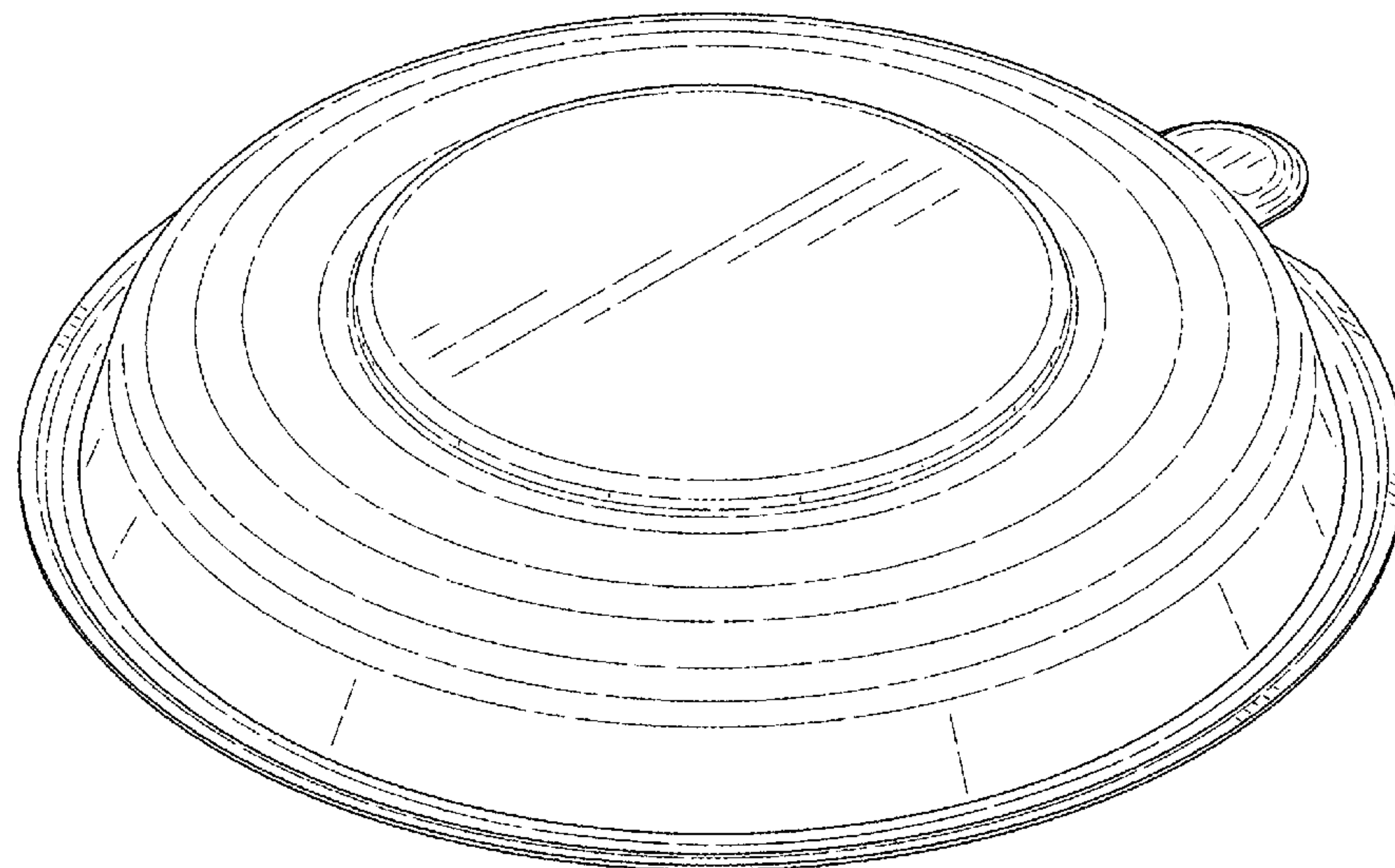
FIG. 1 is a top perspective view of a lid for a food container showing the new design.
FIG. 2 is a bottom perspective view of the lid for a food container of FIG. 1.
FIG. 3 is a front view of the lid for a food container of FIG. 1.
FIG. 4 is a back view of the lid for a food container of FIG. 1.
FIG. 5 is a right side view of the lid for a food container of FIG. 1.
FIG. 6 is a left side view of the lid for a food container of FIG. 1.
FIG. 7 is a top view of the lid for a food container of FIG. 1; and,
FIG. 8 is a bottom view of the lid for a food container of FIG. 1.

1 Claim, 8 Drawing Sheets

(56) **References Cited**

U.S. PATENT DOCUMENTS

D26,062 S 9/1896 Hunter
2,770,957 A 11/1956 Bronson
D207,356 S 4/1967 McCormick
4,076,123 A 2/1978 Davis
D257,933 S * 1/1981 Conti D7/391
D266,818 S 11/1982 Trombly



(56)

References Cited

U.S. PATENT DOCUMENTS

D297,297 S 8/1988 Lacey
 4,782,976 A 11/1988 Kenyon
 4,930,656 A 6/1990 Blachette
 D322,760 S 12/1991 Blanchette
 D339,958 S * 10/1993 Olsen D9/454
 D350,688 S 9/1994 Wardell, Jr.
 D373,704 S * 9/1996 Doxey D7/391
 D373,932 S 9/1996 Onneweer
 D381,268 S 7/1997 Rush
 5,709,314 A 1/1998 Petry
 D415,652 S * 10/1999 Loew D7/392.1
 D419,371 S 1/2000 Haley
 6,168,044 B1 1/2001 Zettle
 D445,687 S * 7/2001 Gilbertson D9/443
 D450,537 S 11/2001 Hayes
 D457,037 S 5/2002 Hayes
 D475,897 S * 6/2003 Zettle D7/629
 D476,861 S * 7/2003 Zettle D7/538
 D478,469 S * 8/2003 Roth F25D 3/08
 D7/392.1
 D480,264 S * 10/2003 de Groote D7/392.1
 D482,232 S * 11/2003 Zettle D7/392.1
 D482,283 S * 11/2003 Wichmann D9/454
 D483,222 S 12/2003 Willis
 D484,412 S * 12/2003 Willis D9/454
 D497,548 S 10/2004 Nordland
 D502,052 S 2/2005 Meade
 D504,053 S * 4/2005 Bertulis D7/629
 D506,359 S 6/2005 Zettle
 D507,937 S 8/2005 Dais
 D508,187 S 8/2005 Dais
 D508,188 S 8/2005 Lettle
 D513,940 S 1/2006 Kolflat
 D528,359 S 9/2006 Laib
 D549,050 S * 8/2007 Spencer D9/428
 D563,785 S * 3/2008 Maki D9/454
 D565,253 S 3/2008 Modi
 D575,114 S * 8/2008 Moghavem D7/629
 D579,276 S 10/2008 Burd
 D591,590 S 5/2009 Wilson
 D606,368 S * 12/2009 Wu D7/629
 D611,769 S 3/2010 Hauser
 D612,196 S 3/2010 Furlong
 D614,453 S 4/2010 Curtin
 D629,264 S 12/2010 Curtin
 D632,527 S 2/2011 Olivari
 D632,528 S 2/2011 Olivari
 D636,229 S 4/2011 Koennecke
 D636,230 S 4/2011 Koennecke
 D642,921 S 8/2011 Endert
 D651,865 S 1/2012 Smyers
 D656,818 S 4/2012 Dunwoody
 D676,284 S 2/2013 Pallotto
 D677,162 S * 3/2013 Sharma D9/454
 D689,730 S 9/2013 Goto
 D710,696 S 8/2014 Kwon
 D717,104 S 11/2014 Redfem
 D731,239 S 6/2015 Rothfield
 D746,640 S 1/2016 Myoung
 D752,383 S 3/2016 Zox
 D761,061 S 7/2016 McConnell
 D770,233 S 11/2016 Raphael
 D772,002 S * 11/2016 Affatato D7/391
 D774,900 S 12/2016 Longoni
 D778,204 S 2/2017 Thuma
 D787,274 S 5/2017 Gagnon

D795,058 S * 8/2017 Buck D9/428
 D795,069 S * 8/2017 Haddad D9/454
 D799,963 S 10/2017 Akiyama
 D803,677 S * 11/2017 Yang D7/629
 D811,214 S * 2/2018 Wu D9/428
 D815,915 S 4/2018 Raphael
 D823,643 S 7/2018 Paul
 D835,455 S * 12/2018 Sedgwick D7/392.1
 D835,459 S * 12/2018 Sedgwick D7/392.1
 D845,758 S 4/2019 Van Wingerden
 D845,763 S 4/2019 Savenok
 D845,765 S 4/2019 Stammen
 D848,207 S 5/2019 Holding
 D848,784 S 5/2019 Hazelton
 D859,978 S 9/2019 Barrett
 D861,481 S 10/2019 Barrett
 D861,486 S 10/2019 Stammen
 D871,834 S 1/2020 Samoff
 D871,906 S 1/2020 Ramsey
 D877,558 S 3/2020 Dorfmüller
 2002/0175171 A1 11/2002 Stewart
 2003/0155354 A1 8/2003 Tucker
 2004/0206765 A1 10/2004 McMahon, III
 2004/0245261 A1 * 12/2004 Stanos B65D 43/021
 220/793
 2005/0127074 A1 6/2005 Kasuma
 2005/0230404 A1 10/2005 Dark
 2008/0099476 A1 5/2008 Fung
 2009/0039086 A1 2/2009 Auer
 2009/0241417 A1 10/2009 Smith
 2010/0147848 A1 6/2010 Rider, Jr.
 2012/0145728 A1 6/2012 Pounder
 2014/0374428 A1 12/2014 Watson
 2016/0009464 A1 1/2016 Lewellen
 2016/0152384 A1 6/2016 Kopolas
 2018/0362223 A1 12/2018 Kosmeh
 2019/0090672 A1 3/2019 Bishop
 2019/0193903 A1 6/2019 Tamshe

FOREIGN PATENT DOCUMENTS

TW D138732 1/2011
 TW D145336 2/2012
 TW D166244 3/2015

OTHER PUBLICATIONS

U.S. Appl. No. 29/699,813, Notice of Allowance dated Sep. 18, 2020, 11 pages.
 U.S. Appl. No. 29/699,812, Notice of Allowance dated Sep. 10, 2020, 12 pages.
 Zume Food Containers: Site Visited [Aug. 27th, 2020], "Select Products—Zume Store", Available from Internet URL: <https://zume.com/collections/food-products/products/select-products>, 5 pages.
 Pizza Hut Box: Announced Oct. 2nd, 2019 [online]. Site Visited [Aug. 27th, 2020], "Pizza Hut is testing a new round pizza box that looks like a spaceship and is meant to keep pizza fresher", Available from Internet URL: <https://www.businessinsider.com/pizza-hut-new-round-pizza-box-keeps-pizza-fresher-compostable-2019-10>, 7 pages.
 Food Container Lids: Site Visited [Aug. 27th, 2020], "Direct Source Products.com", Available from Internet URL: <https://directsourceproducts.com/products/12-to-32-oz-food-container-lids-case-of-500>, 7 pages.
 U.S. Appl. No. 29/708,375, Notice of Allowance dated Nov. 25, 2020, 10 pages.

* cited by examiner

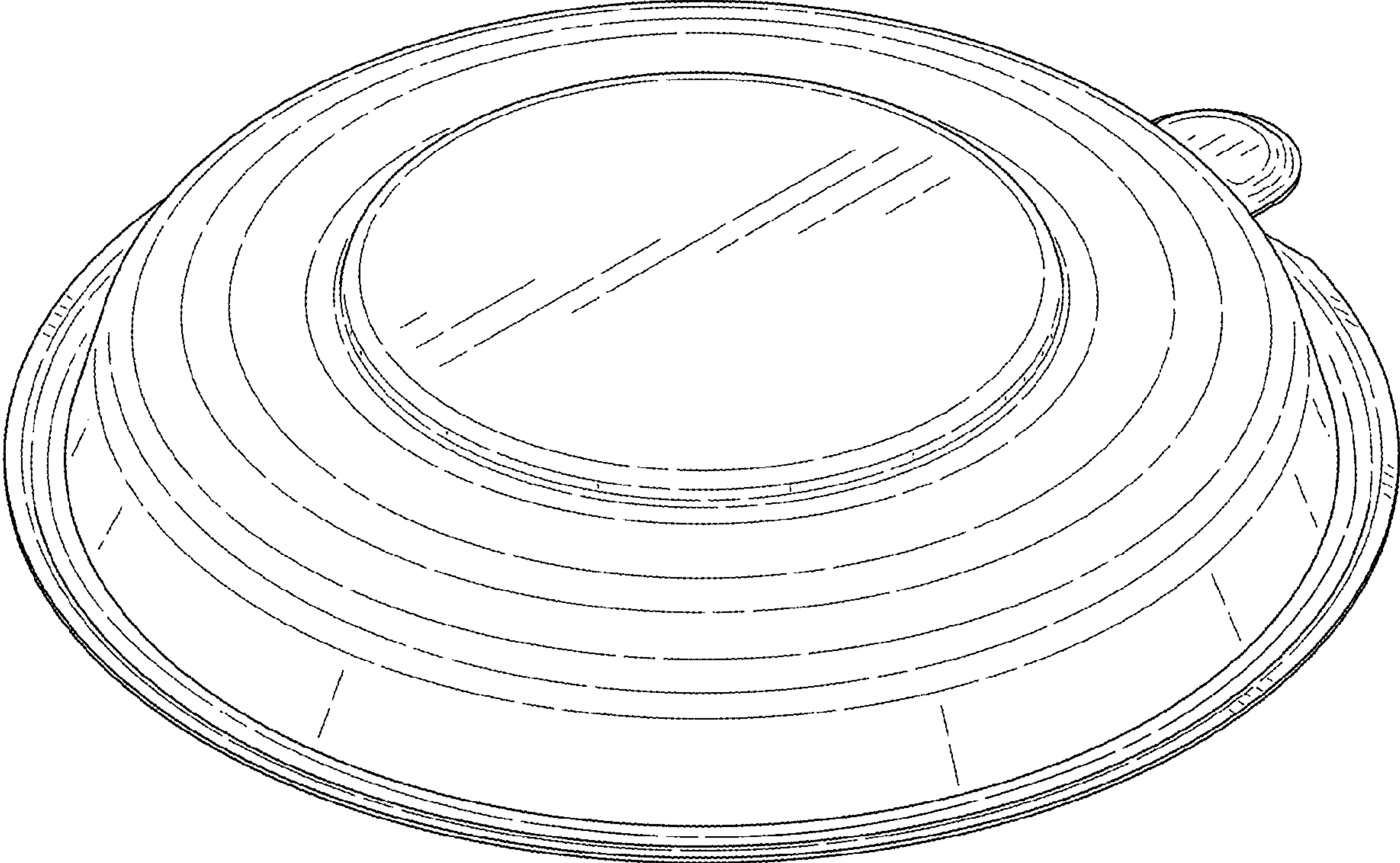


FIG.1

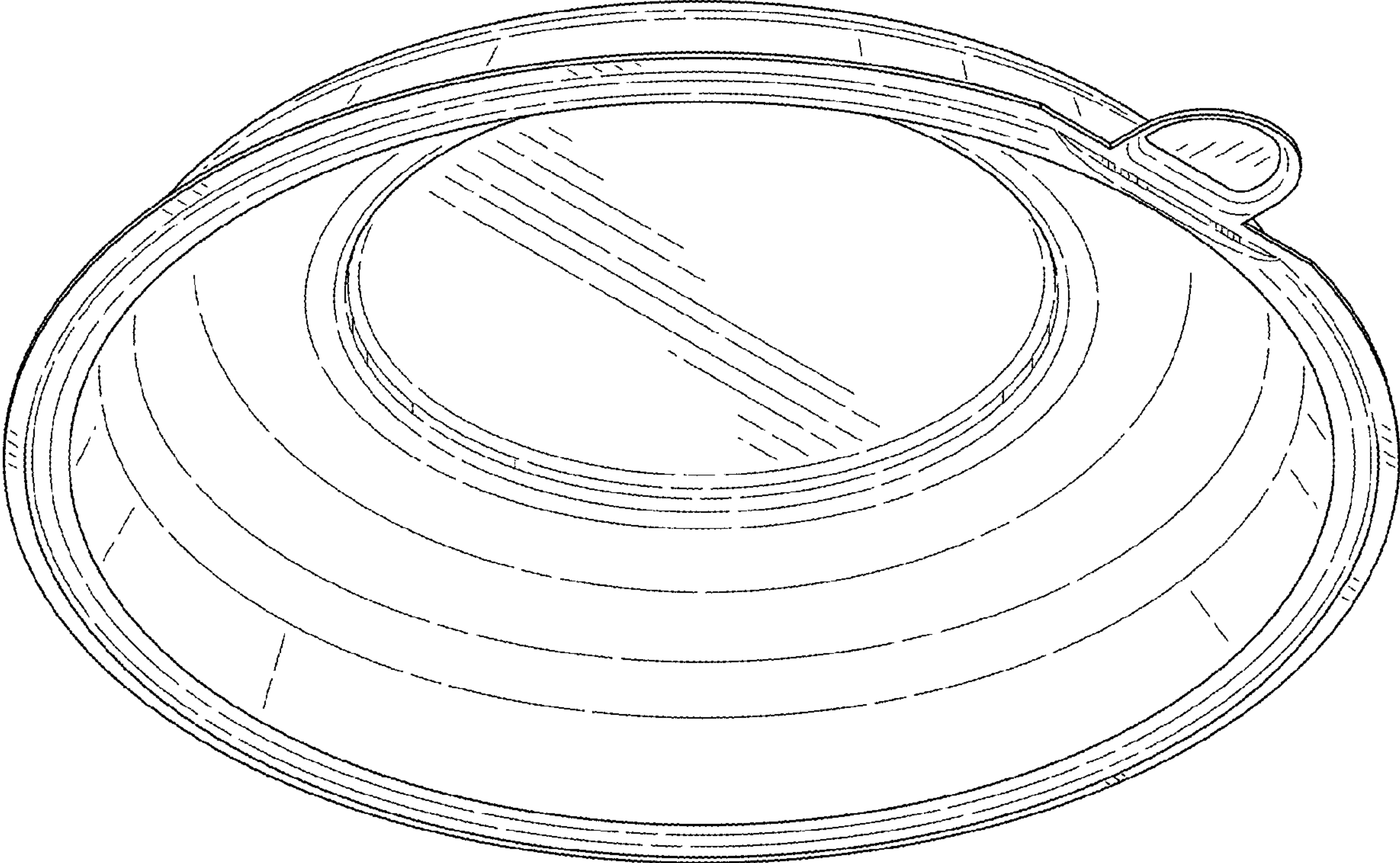


FIG.2

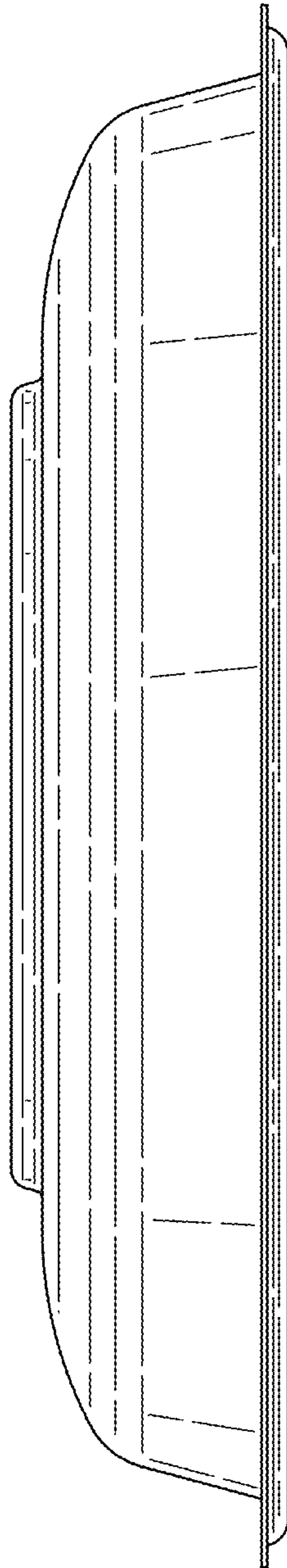


FIG.3

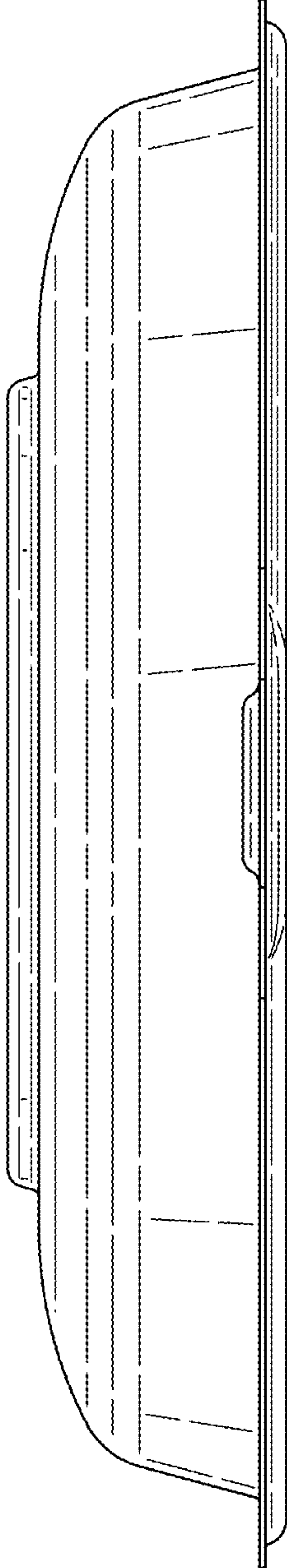


FIG.4

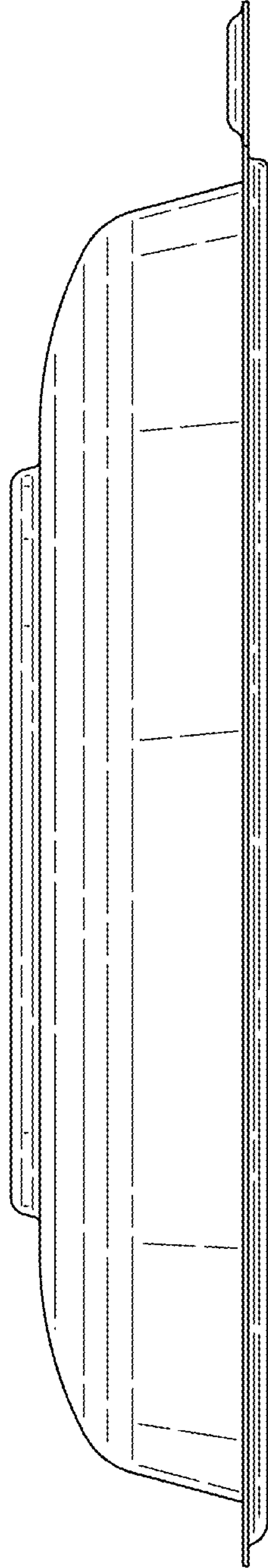


FIG.5

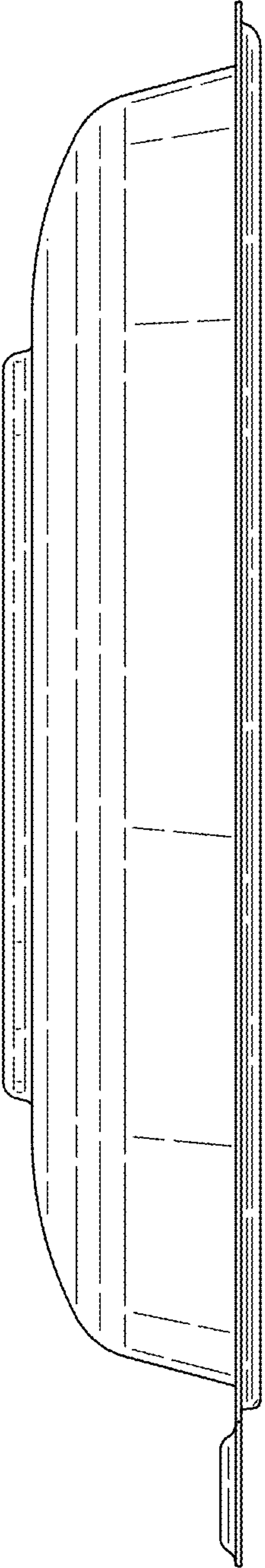


FIG.6

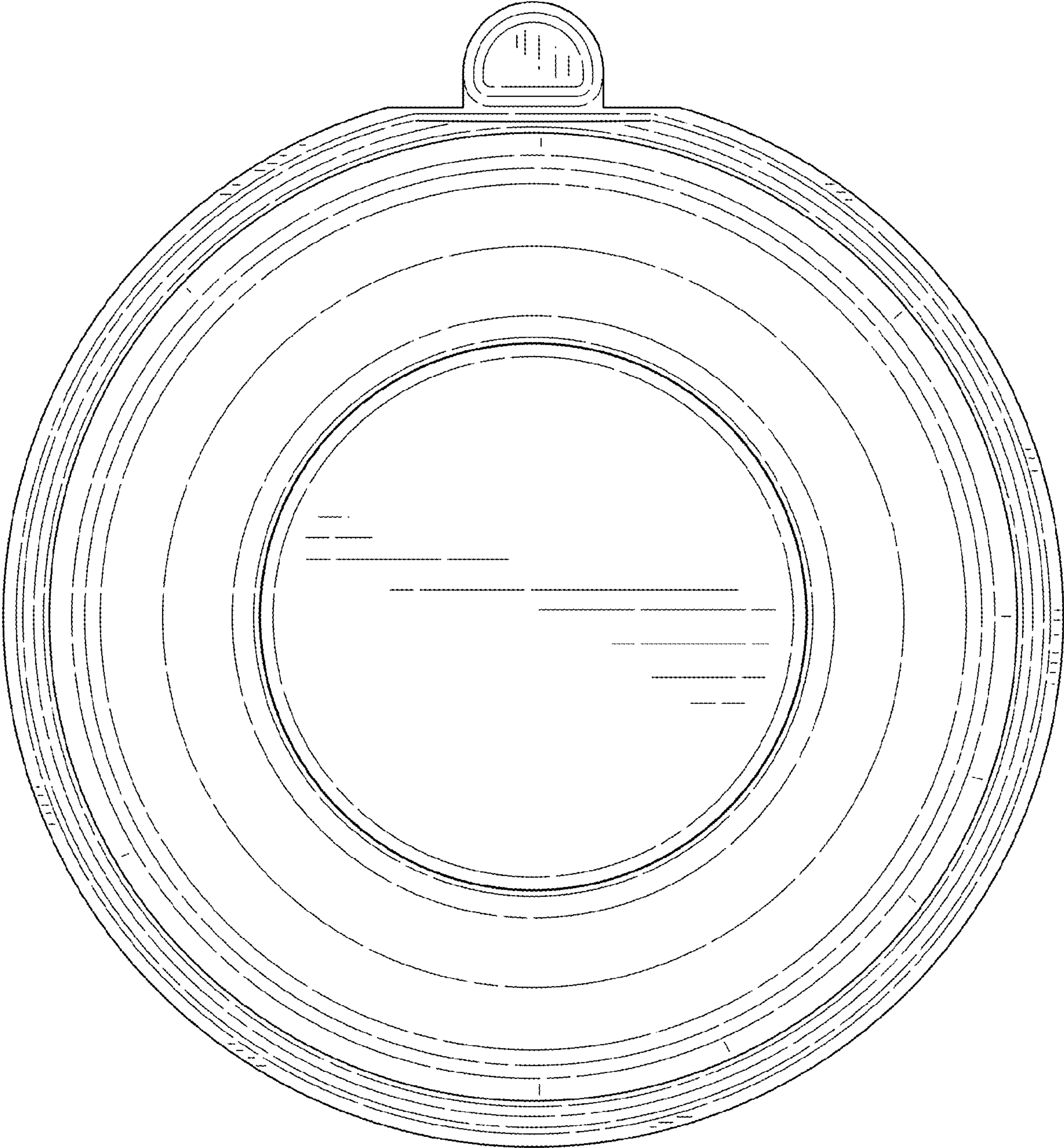


FIG.7

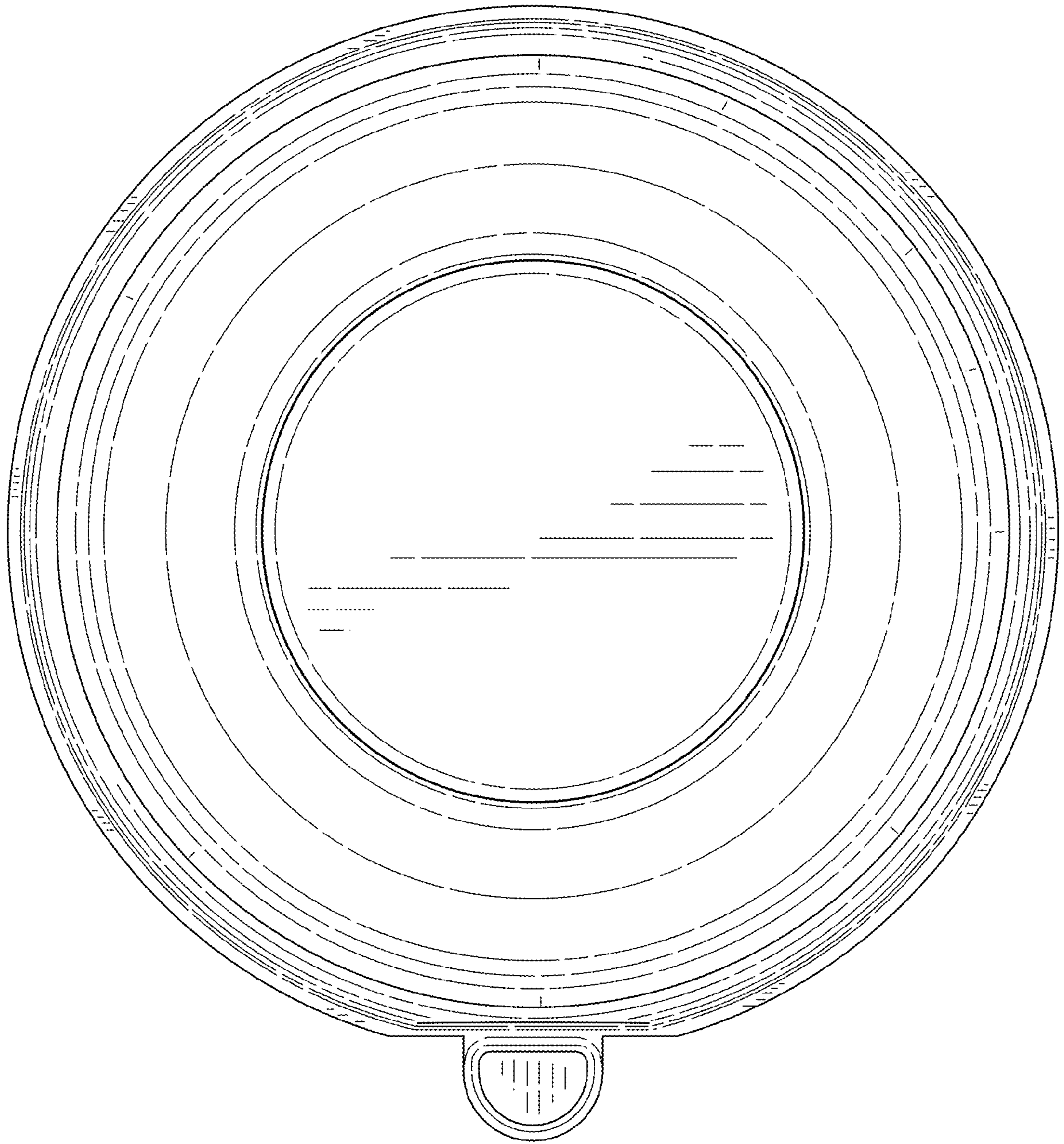


FIG.8