



US00D908001S

(12) **United States Design Patent**  
**Pinard**

(10) **Patent No.:** **US D908,001 S**

(45) **Date of Patent:** **\*\* Jan. 19, 2021**

- (54) **CAP FOR A BOTTLE**
- (71) Applicant: **Jean-Pierre Pinard**, Geovresset (FR)
- (72) Inventor: **Jean-Pierre Pinard**, Geovresset (FR)
- (\*\*) Term: **15 Years**
- (21) Appl. No.: **29/680,027**
- (22) Filed: **Feb. 12, 2019**
- (30) **Foreign Application Priority Data**  
  - Sep. 4, 2018 (WO) ..... 75253
- (51) **LOC (13) Cl.** ..... **09-07**
- (52) **U.S. Cl.**  
  - USPC ..... **D9/454**
- (58) **Field of Classification Search**  
  - USPC ..... D9/434, 435, 438–441, 443–454, 499,  
D9/503–505, 682, 685, 686; D7/300.1,  
D7/387, 391, 392, 392.1, 393, 394, 396.1,  
D7/396.2, 506, 507, 510, 511, 533, 534,  
D7/900; D3/202, 203.2, 294, 318;  
D28/91, 91.1
  - CPC .. A61J 1/00; A61J 1/1412; B65D 1/00; B65D  
1/02; B65D 1/10; B65D 1/46; B65D  
5/46; B65D 41/00; B65D 41/38; B65D  
41/56; B65D 41/62; B65D 47/00; B65D  
47/06; B65D 47/08; B65D 2251/00;  
B65D 2543/00046; B65D 2543/00092;  
B65D 2543/00296

See application file for complete search history.

- (56) **References Cited**  
  - U.S. PATENT DOCUMENTS
  - D84,683 S \* 7/1931 Davis ..... D9/503
  - D102,154 S \* 12/1936 Vuilleminot ..... D28/91.1
  - D129,297 S \* 9/1941 Sundberg ..... D28/91.1
  - D206,628 S \* 1/1967 Anderson ..... D9/503

3,434,615 A *	3/1969	Barletta .....	B01L 3/5021
			D9/505
D292,674 S *	11/1987	Morris .....	D9/439
D403,584 S *	1/1999	Bakic .....	D9/454
D406,769 S *	3/1999	Ackroyd .....	D9/454
D428,812 S *	8/2000	Bakic .....	D9/439
D443,040 S *	5/2001	Fabian .....	D23/249
D448,294 S *	9/2001	Alscher .....	D9/435
D453,473 S *	2/2002	Del Bianco .....	D9/453
D511,461 S *	11/2005	Seys .....	D9/522
D523,335 S *	6/2006	Nelson .....	D9/447
D527,611 S *	9/2006	Sato .....	D8/307
D533,962 S *	12/2006	Angeletta .....	D9/447
D545,676 S *	7/2007	Rica .....	D9/439
D551,548 S *	9/2007	Didier .....	D9/439
D583,670 S *	12/2008	Lamb .....	D9/454
D597,840 S *	8/2009	Biesecker .....	D9/454
D657,675 S *	4/2012	Averill .....	D9/454
D676,748 S *	2/2013	Guillois .....	
D682,097 S *	5/2013	Chiorazzi .....	D9/439
D687,672 S *	8/2013	Rae .....	D7/393
D695,116 S *	12/2013	Ahn .....	D9/454

(Continued)

*Primary Examiner* — Wendy L Arminio  
(74) *Attorney, Agent, or Firm* — Craft Chu PLLC;  
Andrew W. Chu

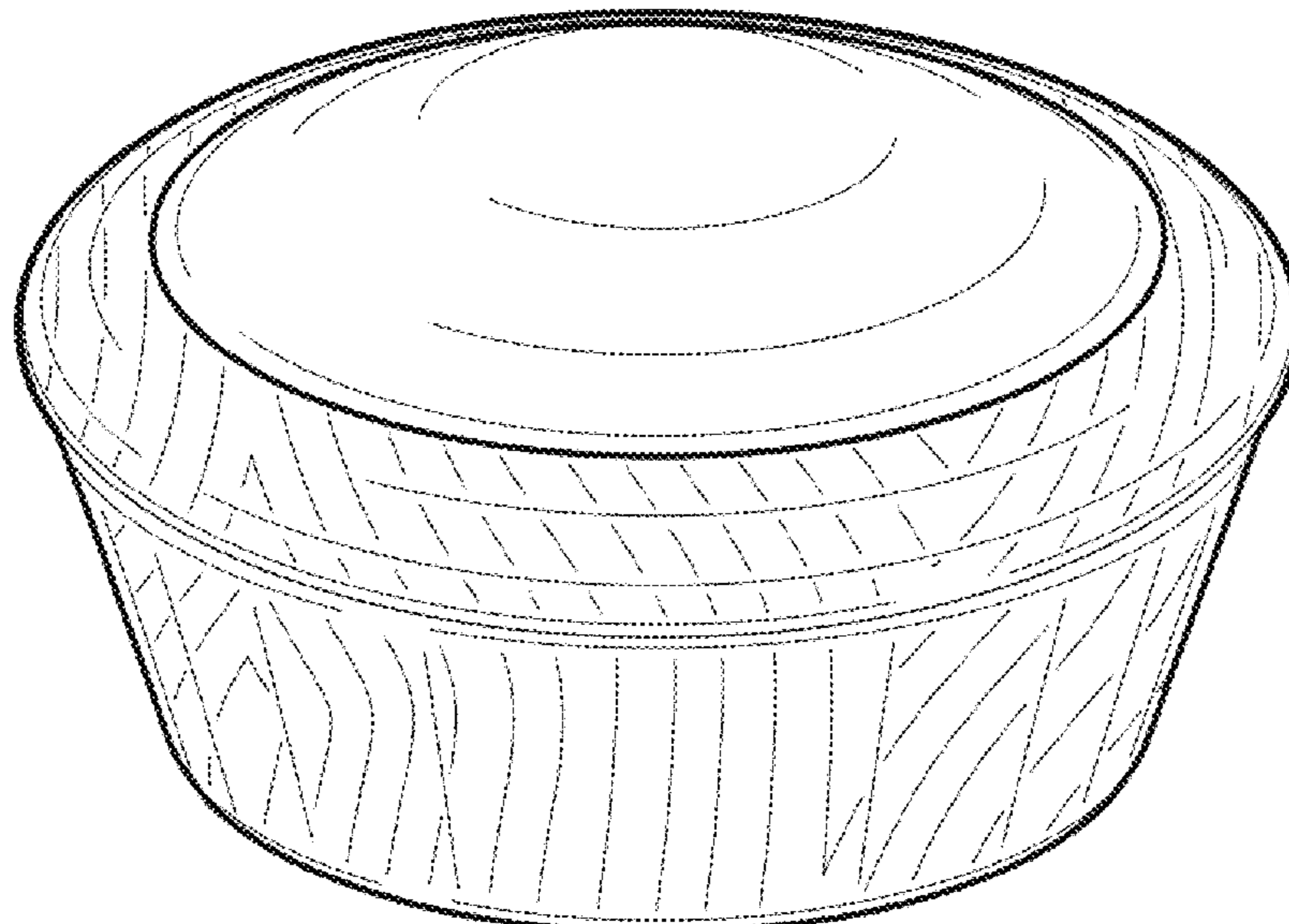
(57) **CLAIM**

The ornamental design for a cap for a bottle, as shown and described.

**DESCRIPTION**

FIG. 1 is a front elevation view of the cap for a bottle showing my design, a back elevation view, being identical. FIG. 2 is a top plan view thereof; FIG. 3 is a bottom plan view thereof; FIG. 4 is a side elevation view thereof, an opposite side elevation view being identical; and, FIG. 5 is an upper perspective view thereof. The broken lines in FIG. 3 depict portions of the cap for a bottle that form no part of the claimed design.

**1 Claim, 1 Drawing Sheet**



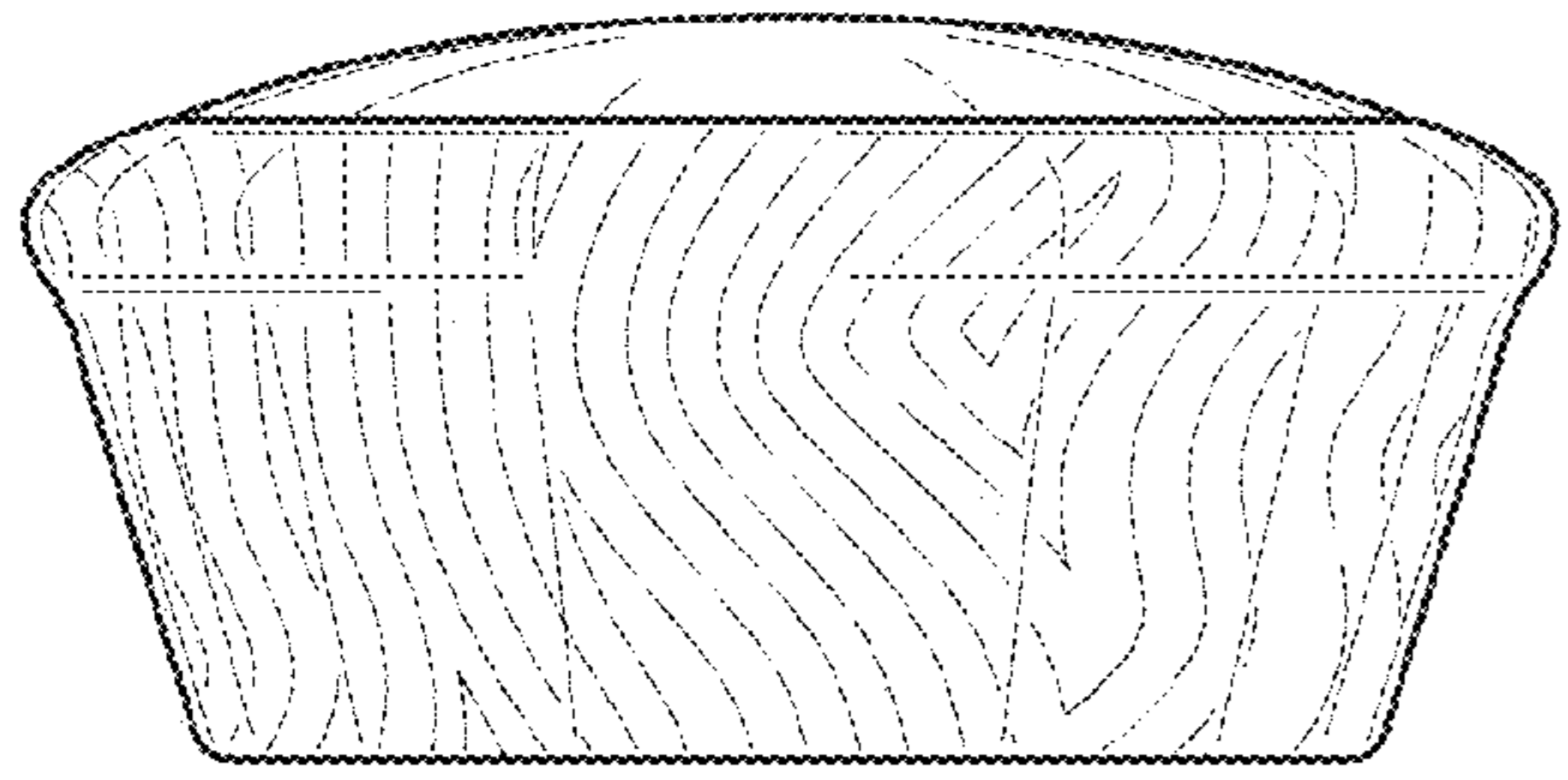
(56)

**References Cited**

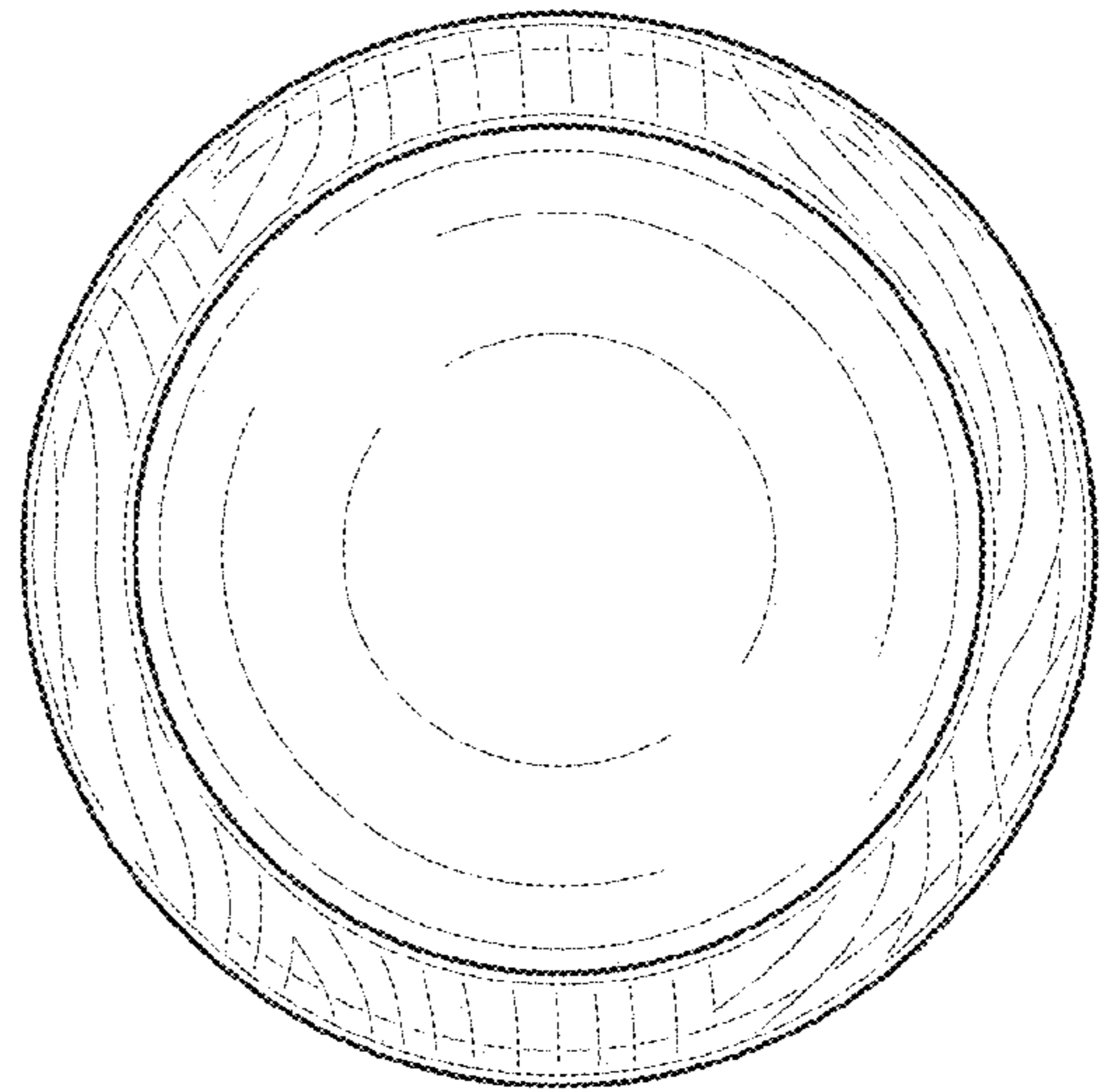
U.S. PATENT DOCUMENTS

D710,196 S *	8/2014	Ivosevic .....	D9/454
D717,648 S *	11/2014	Firestone .....	D9/439
D733,493 S *	7/2015	Barberi .....	D7/393
D756,221 S	5/2016	Koop et al.	
D769,120 S *	10/2016	Albuquerque .....	D9/454
D774,392 S	12/2016	Broad	
D790,966 S	7/2017	Roberts	
D796,333 S *	9/2017	Penn .....	D9/544
D850,917 S *	6/2019	Kuma .....	D9/454
D850,919 S *	6/2019	Kuma .....	D9/454
D854,881 S *	7/2019	Barberi .....	D7/393
D873,070 S *	1/2020	Frings .....	D9/452
D873,666 S *	1/2020	Yokokura .....	D9/454
D878,915 S *	3/2020	Parzych .....	D9/439

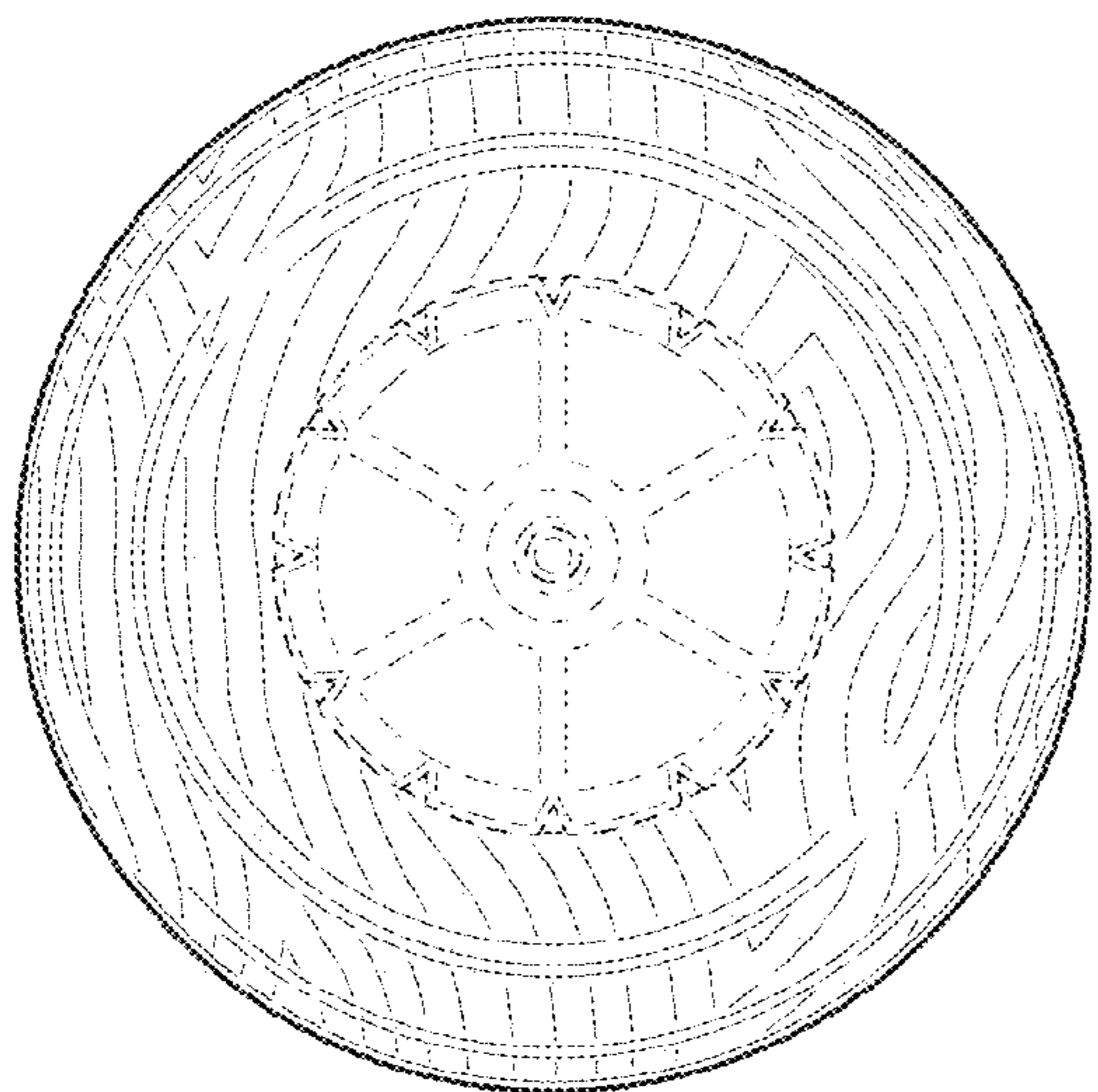
\* cited by examiner



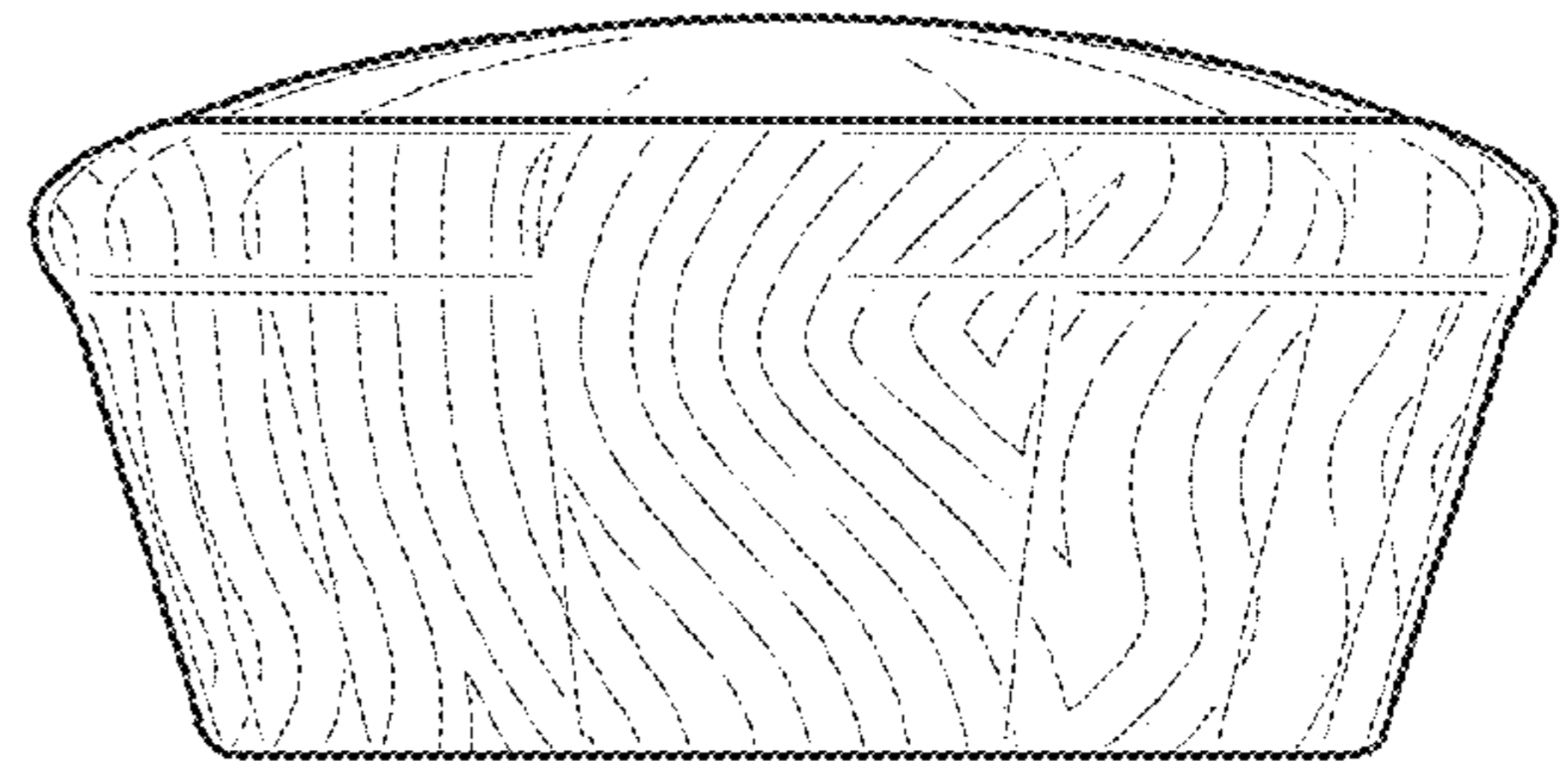
*FIG. 1*



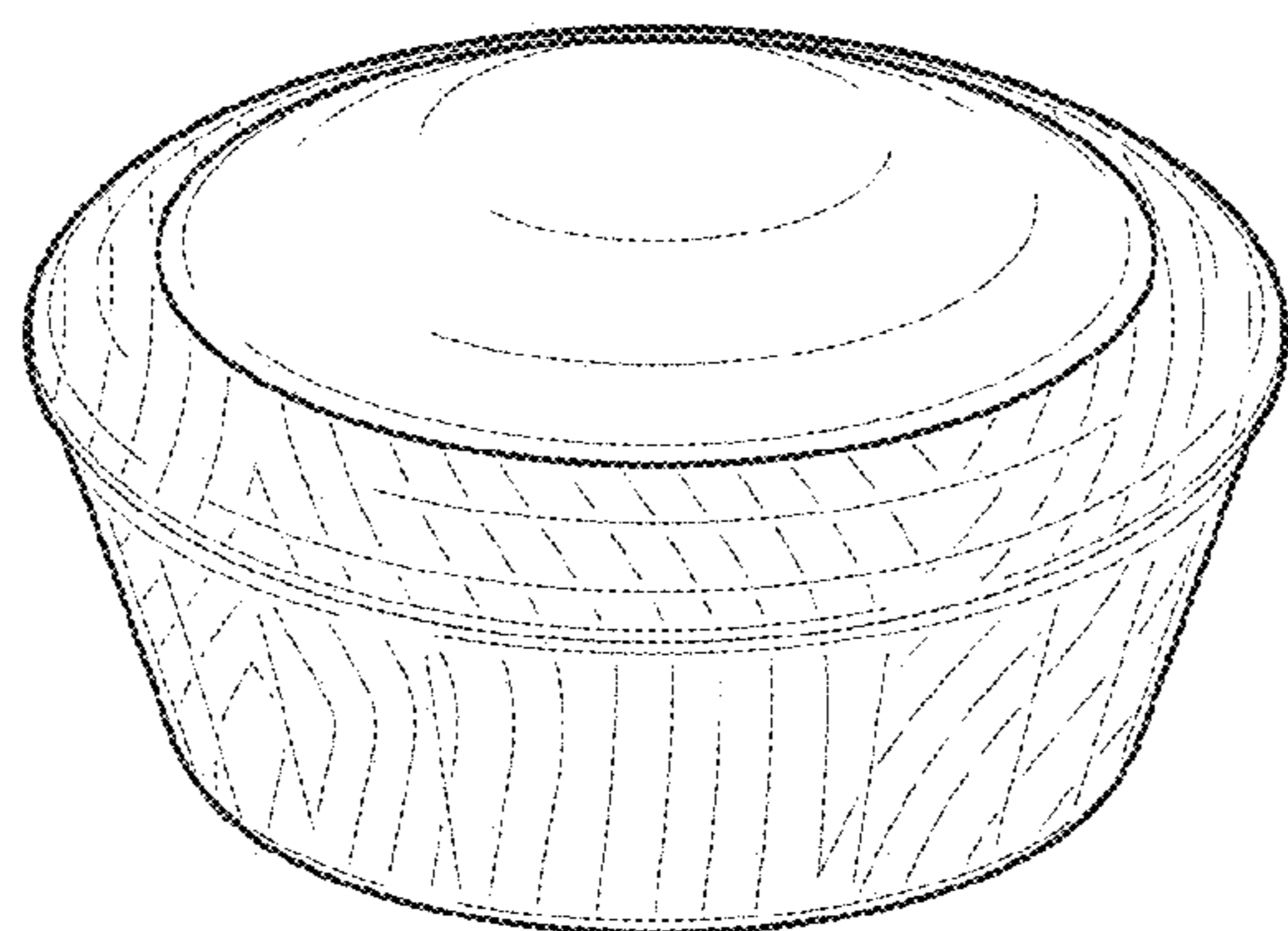
*FIG. 2*



*FIG. 3*



*FIG. 4*



*FIG. 5*