



US00D907998S

(12) **United States Design Patent**
Michel et al.

(10) **Patent No.:** **US D907,998 S**
(45) **Date of Patent:** **** Jan. 19, 2021**

(54) **CORK STOPPER SHAVING DEVICE**

(71) Applicant: **EYEon Innovations, LLC**, Carlsbad, CA (US)

(72) Inventors: **Anne Marie Michel**, Carlsbad, CA (US); **David William Reed**, Carlsbad, CA (US)

(73) Assignee: **EYEon Innovations, LLC**, Carlsbad, CA (US)

(**) Term: **15 Years**

(21) Appl. No.: **29/676,019**

(22) Filed: **Jan. 8, 2019**

(51) **LOC (13) Cl.** **09-07**

(52) **U.S. Cl.**
USPC **D9/436; D9/439**

(58) **Field of Classification Search**
USPC D3/201, 202; D7/300, 300.1, 317, 321, D7/391, 392, 392.1, 396.2, 601, 602, D7/619.1, 629, 368, 673, 678, 679, 693, D7/694, 372; D9/434-436, 439, 440, D9/443, 445-447, 449, 452-454, 499; D18/34.3, 34.4, 34.5, 34.8; D19/72-74
CPC B67B 7/44; B26B 11/00
See application file for complete search history.

(56) **References Cited**

U.S. PATENT DOCUMENTS

D146,197 S *	1/1947	Staab	D19/73
D660,076 S *	5/2012	Schramm	D7/368
D729,314 S *	5/2015	Weiland	D19/73
D763,685 S *	8/2016	Arriaga	D9/436
D795,063 S *	8/2017	Arriaga	D9/436
D801,813 S *	11/2017	Craven	D9/445
D805,164 S *	12/2017	Norman	D23/259
9,926,088 B2 *	3/2018	Auer	B65B 3/22
D815,256 S *	4/2018	Norman	D23/259

D818,360 S *	5/2018	Oates, II	D9/435
D833,809 S *	11/2018	Gaeta	D7/397
10,173,879 B1 *	1/2019	Michel	B26B 11/00
D848,839 S *	5/2019	Kravchenko	D9/443
D860,785 S *	9/2019	Ross	D9/435
D867,132 S *	11/2019	Callaars	D9/439
D871,133 S *	12/2019	Bullock	D7/392.1
D875,524 S *	2/2020	Holmes	D9/439

OTHER PUBLICATIONS

Indie GoGo. New Code Zero refillable range by King of Shaves by Will King. Aug. 20, 2019. <https://www.indiegogo.com/projects/new-code-zero-refillable-range-by-king-of-shaves#/updates/all> (Year: 2019).*

* cited by examiner

Primary Examiner — Darcey E Gottschalk
(74) *Attorney, Agent, or Firm* — Coastal Patent Law Group, P.C.

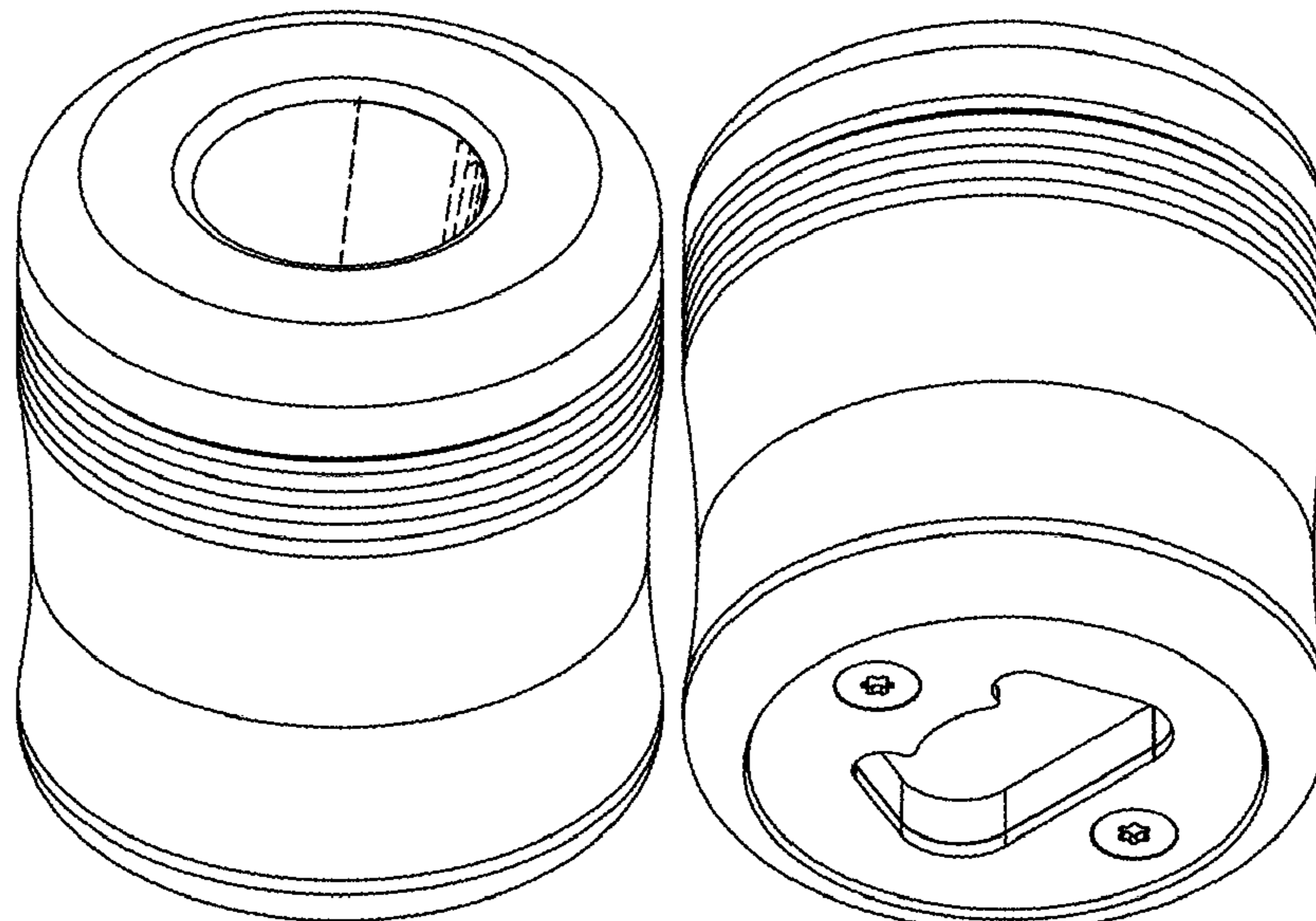
(57) **CLAIM**

An ornamental design for a cork stopper shaving device, as shown and described.

DESCRIPTION

FIG. 1 shows a first perspective view of a cork stopper shaving device;
FIG. 2 shows a second perspective view of the cork stopper shaving device;
FIG. 3 shows a top plan view of the cork stopper shaving device;
FIG. 4 shows a bottom plan view of the cork stopper shaving device; and,
FIG. 5 shows a side view of the cork stopper shaving device. Each of the front, rear, left and right sides are identical, as such a generic side view is shown in FIG. 5. That which is shown in broken lines is for environmental purposes only and does not form part of the claimed design.

1 Claim, 1 Drawing Sheet



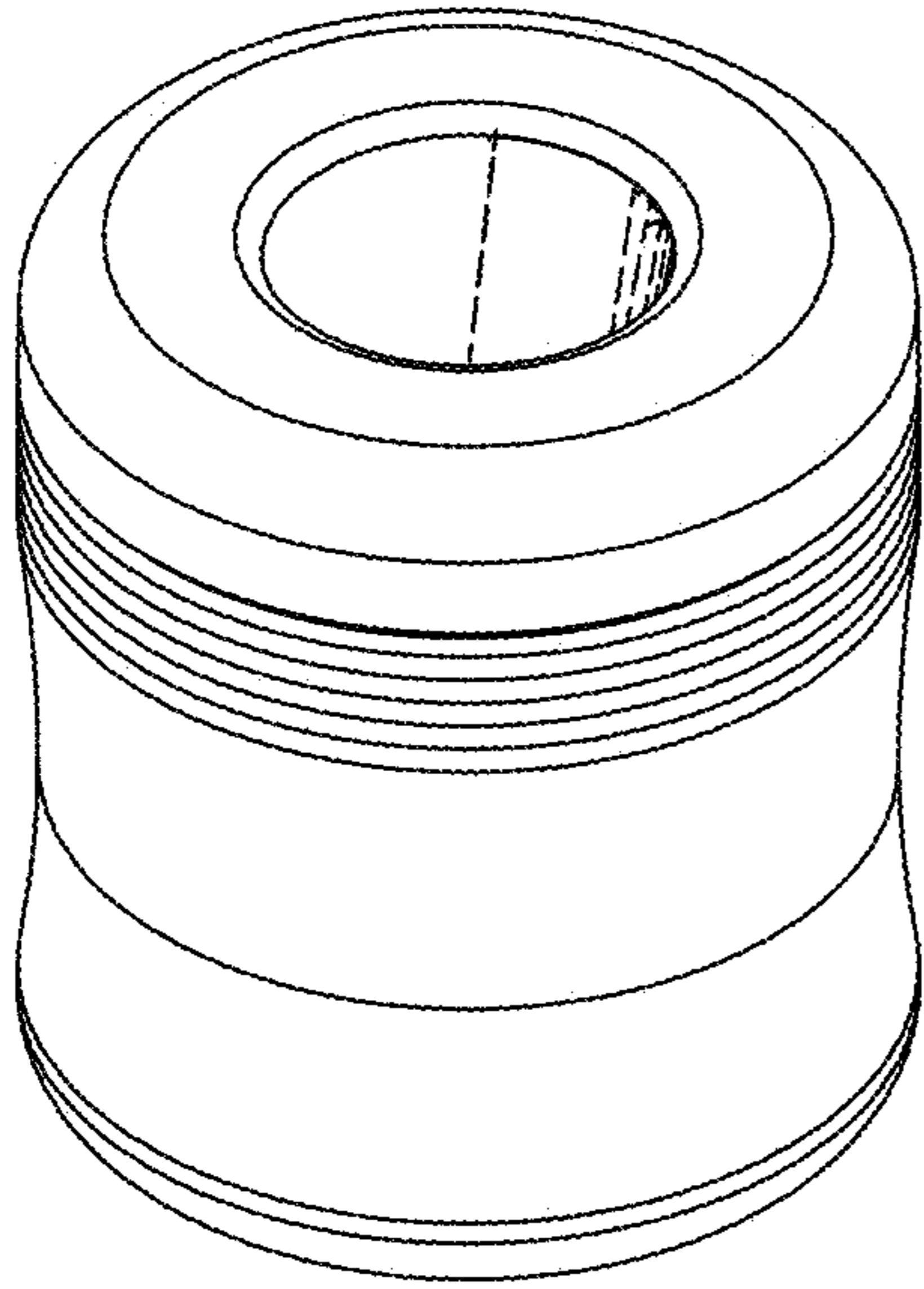


FIG. 1

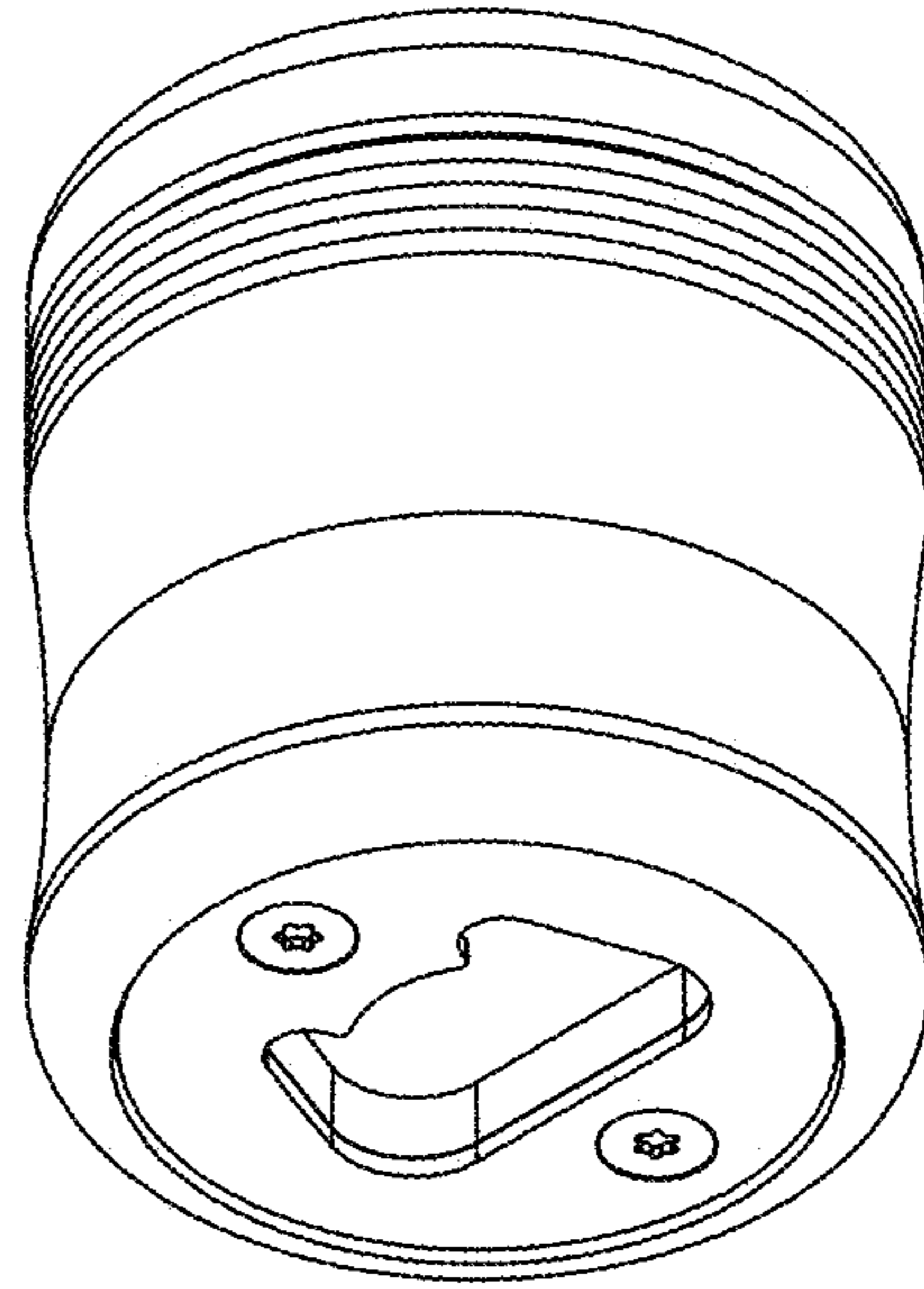


FIG. 2

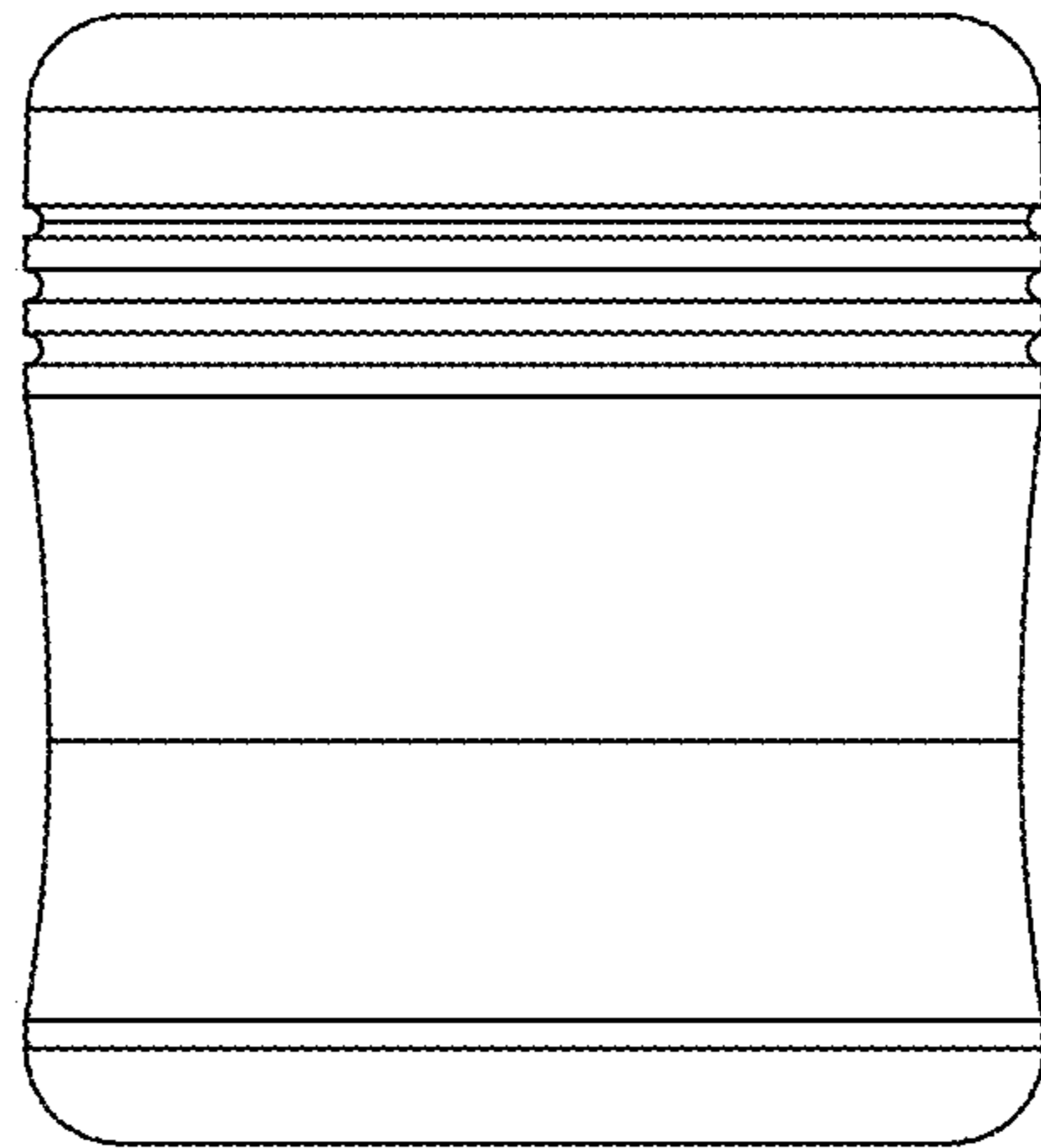


FIG. 5

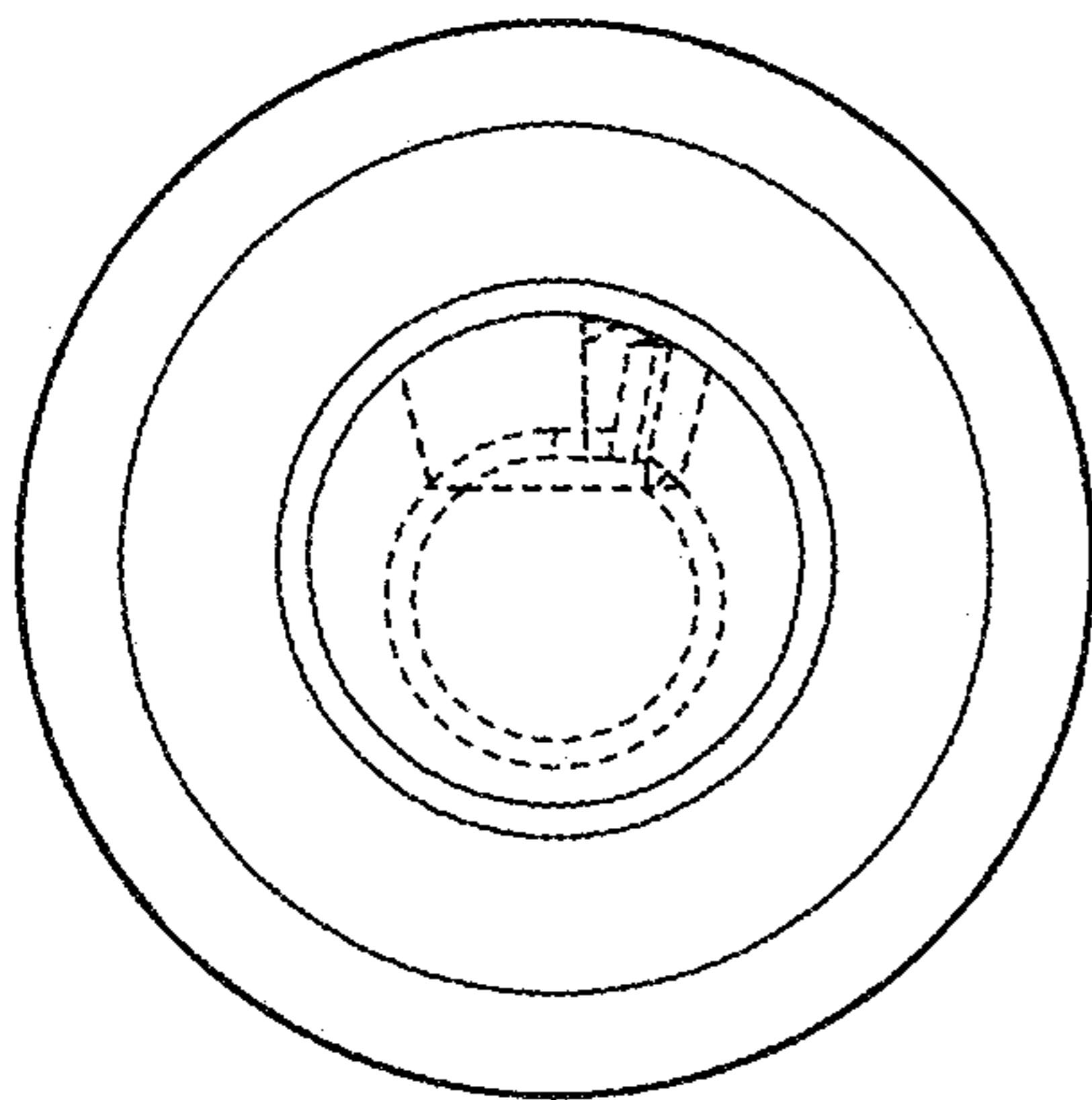


FIG. 3

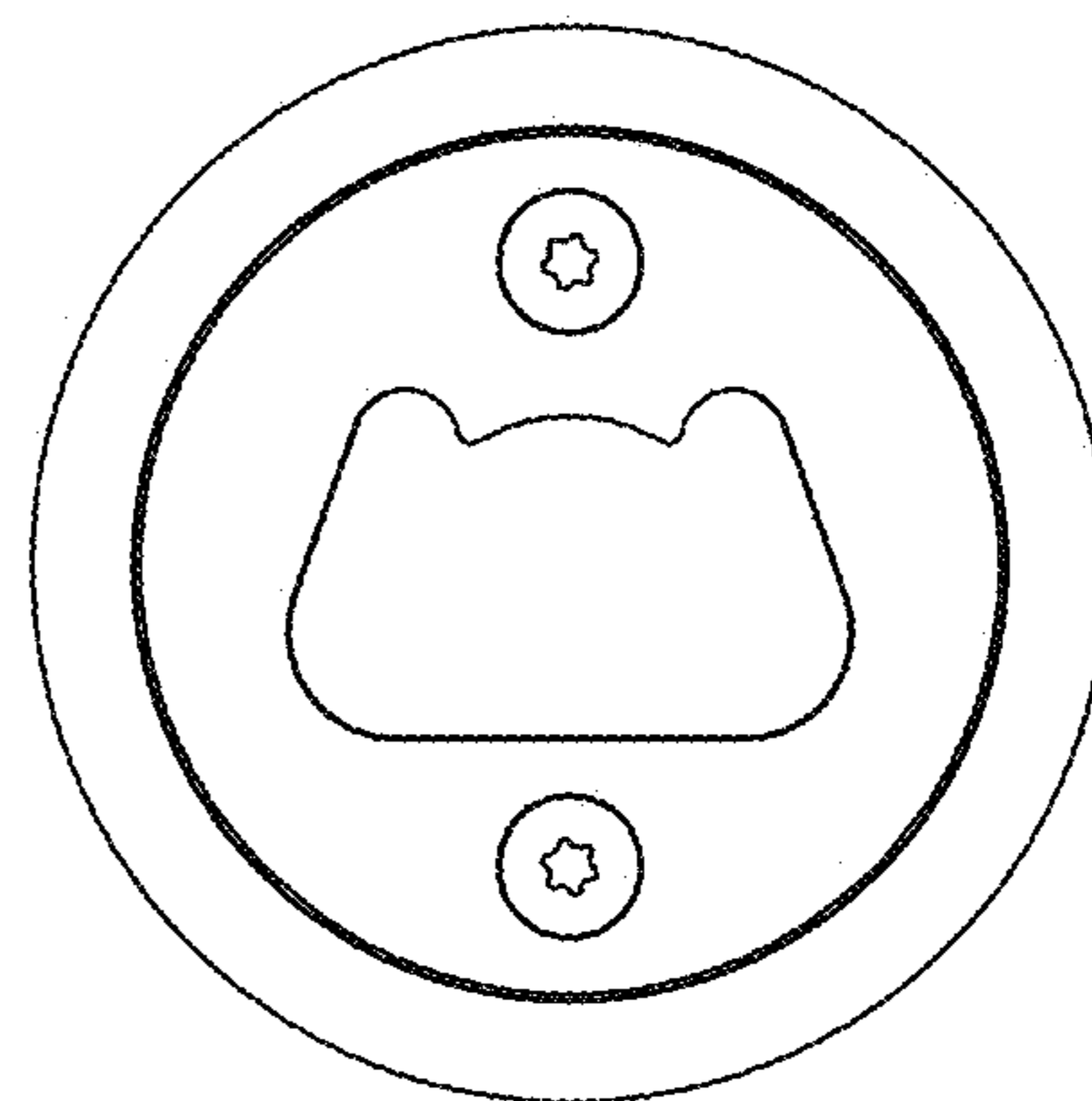


FIG. 4