

US00D907996S

(12) **United States Design Patent**
Lee et al.

(10) **Patent No.:** **US D907,996 S**
(45) **Date of Patent:** **** Jan. 19, 2021**

(54) **BOX FOR FEEDING ANIMALS**

(71) Applicant: **LeapHigh Animals, LLC**, San Gabriel, CA (US)

(72) Inventors: **Si Hyung Lee**, San Gabriel, CA (US);
Sean Sangil Hahn, San Gabriel, CA (US)

(73) Assignee: **LeapHigh Animals, LLC**, Las Vegas, NV (US)

(**) Term: **15 Years**

(21) Appl. No.: **29/674,440**

(22) Filed: **Dec. 21, 2018**

(51) **LOC (13) Cl.** **09-03**

(52) **U.S. Cl.**
USPC **D9/432**

(58) **Field of Classification Search**

USPC D9/414-433, 434, 456, 457, 711, 713,
D9/721-722, 737, 756, 758, 759, 760;
(Continued)

(56) **References Cited**

U.S. PATENT DOCUMENTS

D267,150 S * 12/1982 Kinsell, Jr. D9/416
D304,887 S * 12/1989 Carlson D6/706
(Continued)

OTHER PUBLICATIONS

20 Row Seeder Germination Tray. [online] Published on Jan. 26, 2018. Retrieved Mar. 12, 2020 from URL: <https://www.prairiemoon.com/prairie-moon-nursery-tool-shed-20-row-seeder-tray.html>.*

Primary Examiner — Vy N Koenig

(74) *Attorney, Agent, or Firm* — Lempia Summerfield Katz LLC

(57) **CLAIM**

We claim the ornamental design for box for feeding animals, as shown and described.

DESCRIPTION

FIG. 1 is a front perspective view of a first embodiment of a box for feeding animals showing our new design.

FIG. 2 is a front view thereof.

FIG. 3 is a back view thereof.

FIG. 4 is a right side view thereof.

FIG. 5 is a left side view thereof.

FIG. 6 is a top view thereof.

FIG. 7 is a bottom view thereof.

FIG. 8 is a front view of a second embodiment of a box for feeding animals showing our new design, with the back side, right side, left side, top and bottom views being identical to FIGS. 3-7, respectively.

FIG. 9 is a front view of a third embodiment of a box for feeding animals showing our new design, with the back side, right side, left side, top and bottom views being identical to FIGS. 3-7, respectively.

FIG. 10 is a front view of a fourth embodiment of a box for feeding animals showing our new design, with the back side, right side, left side, top and bottom views being identical to FIGS. 3-7, respectively.

FIG. 11 is a front perspective view of a fifth embodiment of a box for feeding animals showing our new design.

FIG. 12 is a front view thereof.

FIG. 13 is a back view thereof.

FIG. 14 is a right side view thereof.

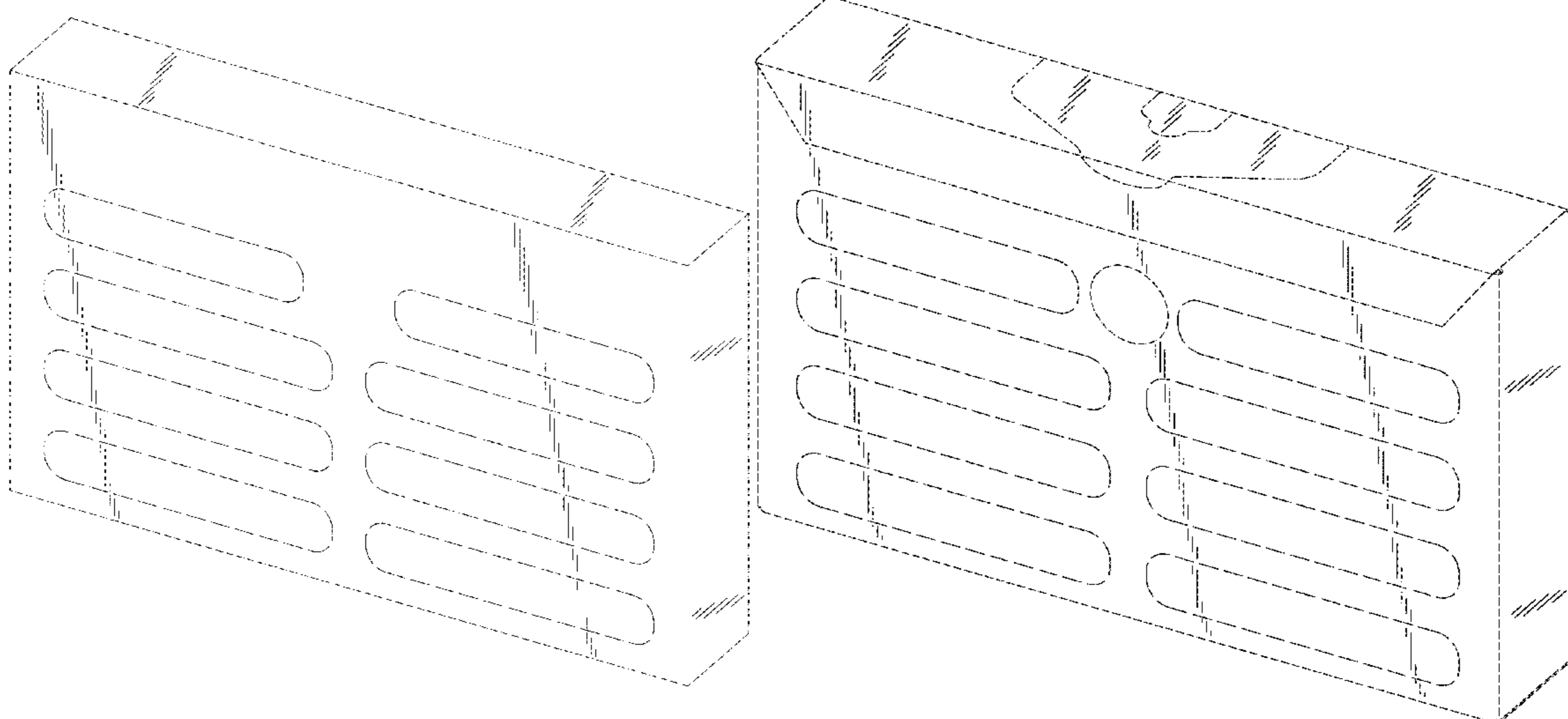
FIG. 15 is a left side view thereof

FIG. 16 is a top view thereof; and,

FIG. 17 is a bottom view thereof.

It is understood that portions of the carton shown in long broken lines (— — — —) represent perforations, which form part of the claimed design. It is further understood that short broken lines (- - -) or shading shown in the figures are for illustrative purposes only and form no part of the claimed design. It is also understood that the following pattern (— - - — - - - -) represent perforations, which form no part of the claimed design.

1 Claim, 13 Drawing Sheets



US D907,996 S

Page 2

(58) **Field of Classification Search**

USPC D20/10, 22, 27, 40, 42; D3/272-274,
D3/290, 304, 305, 315
CPC ... B65D 5/00; B65D 5/02; B65D 5/18; B65D
5/20

See application file for complete search history.

(56) **References Cited**

U.S. PATENT DOCUMENTS

D365,732 S * 1/1996 Kellen D6/705.7
D424,941 S * 5/2000 Boutour D9/456
D445,332 S * 7/2001 Breiding D6/522
D470,414 S * 2/2003 Hsu D9/456
D503,087 S * 3/2005 Dzwil D3/264
D503,614 S 4/2005 Sax et al.
D504,159 S 4/2005 Best et al.
D504,314 S * 4/2005 Kim D9/416
D564,794 S 3/2008 Ehresman
D569,719 S * 5/2008 Ross D9/416
D573,014 S 7/2008 Hetrick
D573,458 S 7/2008 Anderson et al.
D584,944 S * 1/2009 Kirk D9/416
D619,453 S 7/2010 Petaccia
D619,891 S 7/2010 Lymn et al.
D622,140 S 8/2010 Elhalwani

D625,613 S 10/2010 Cowan-Hughes et al.
D645,740 S * 9/2011 Ross D9/432
D655,165 S * 3/2012 Jensen B65D 75/327
D9/456
D668,718 S 10/2012 Clark et al.
D705,054 S 5/2014 McCarthy
D718,616 S 12/2014 Palmer
D734,169 S * 7/2015 Harper D9/756
D743,794 S * 11/2015 Carroll D9/456
D748,499 S * 2/2016 Hanna D9/756
D760,072 S * 6/2016 Lutz D9/416
D772,703 S 11/2016 Choi et al.
D778,149 S * 2/2017 Frick D9/416
D787,314 S 5/2017 Sill et al.
D801,193 S * 10/2017 Vorobej D9/756
D803,057 S * 11/2017 Malone D9/456
D830,199 S 10/2018 Ogata et al.
D830,824 S * 10/2018 Safdie D9/432
D839,479 S * 1/2019 Heslop D28/61
D859,979 S * 9/2019 Akana D9/432
D866,312 S * 11/2019 Ito D9/416
D874,280 S * 2/2020 Malone D9/456
D874,919 S * 2/2020 Choi D9/418
D876,215 S * 2/2020 Sanfilippo D9/416
D883,082 S * 5/2020 Oravec D9/418
2017/0113862 A1 * 4/2017 Malone B65B 61/20

* cited by examiner

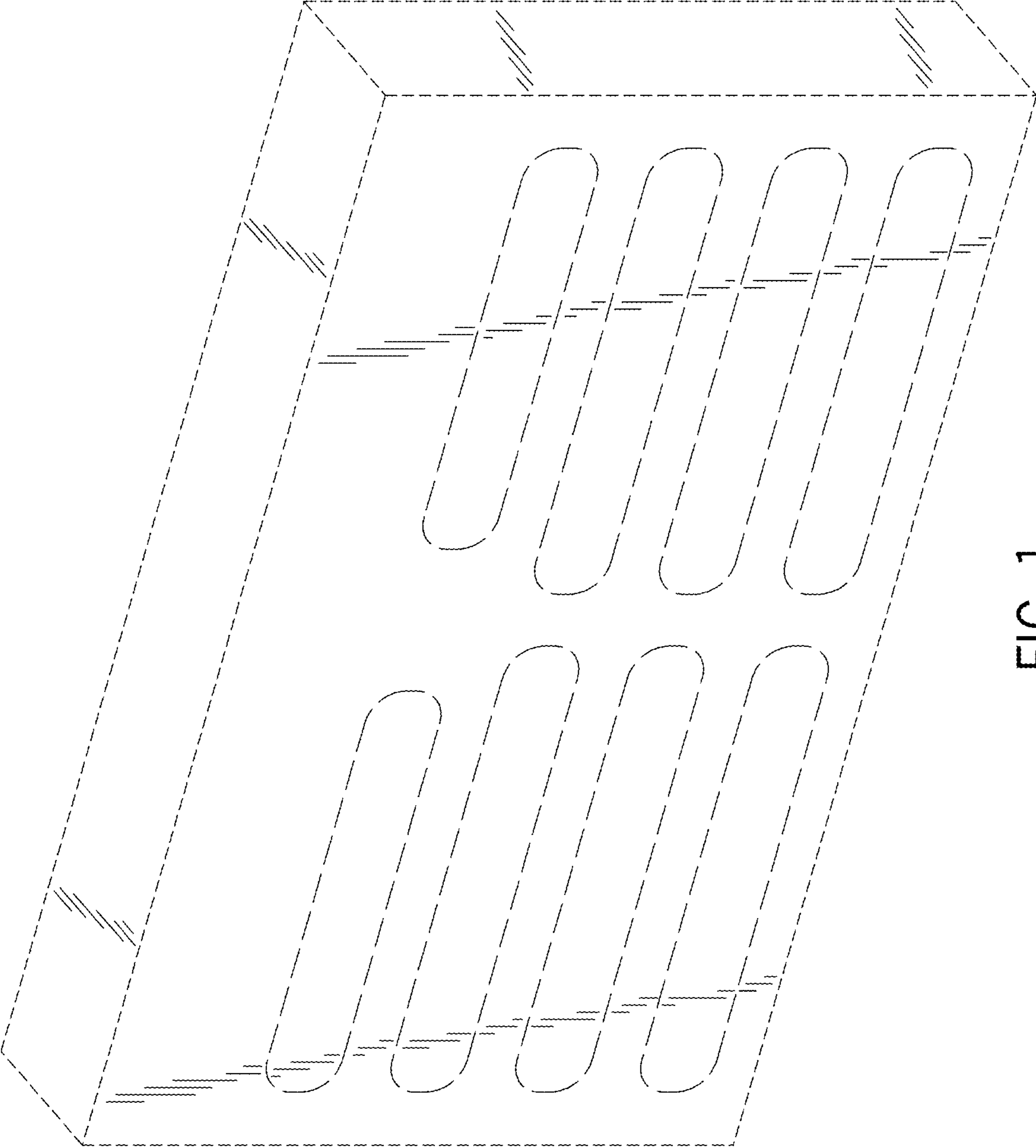


FIG. 1

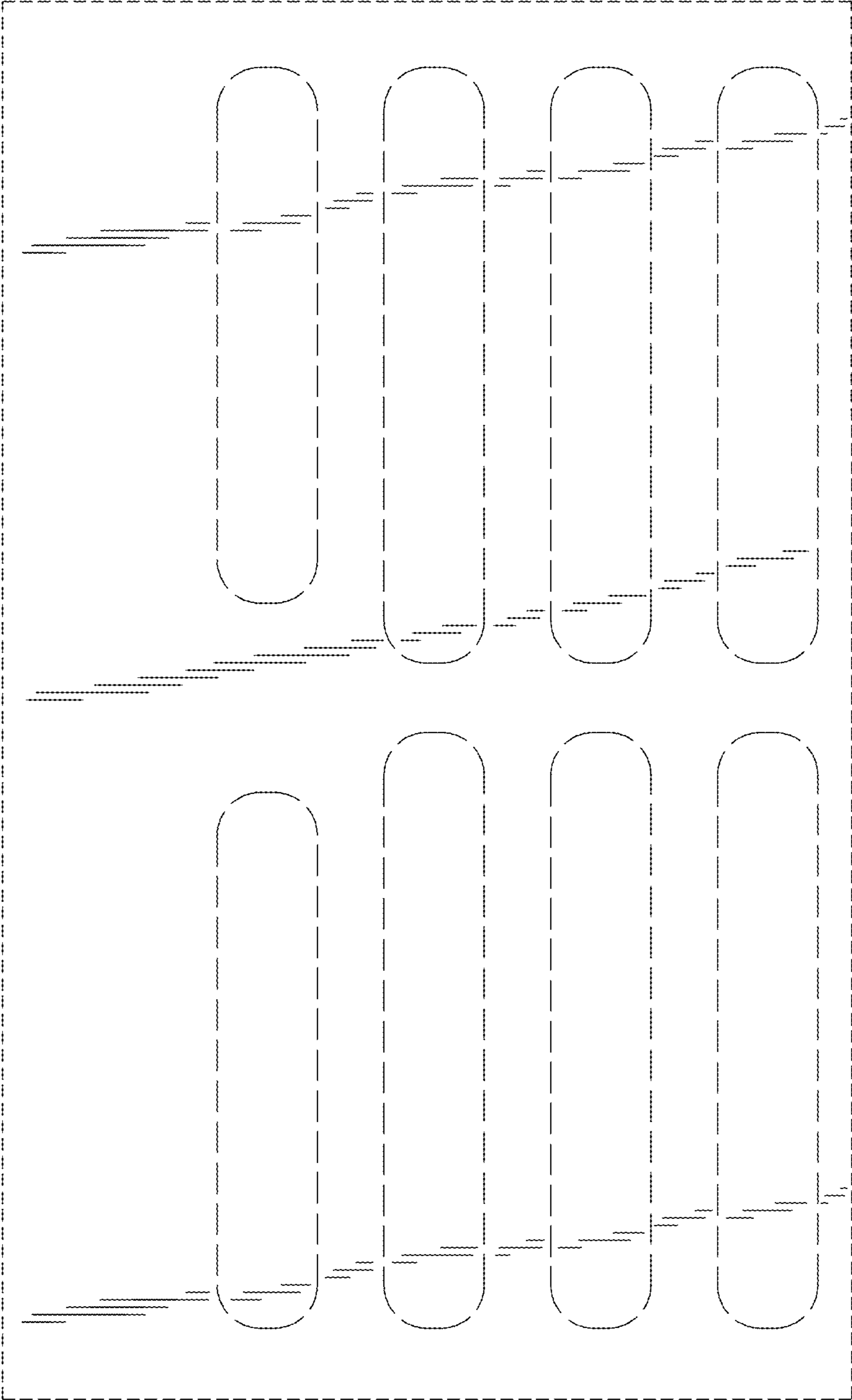


FIG. 2



FIG. 3



FIG. 5



FIG. 4

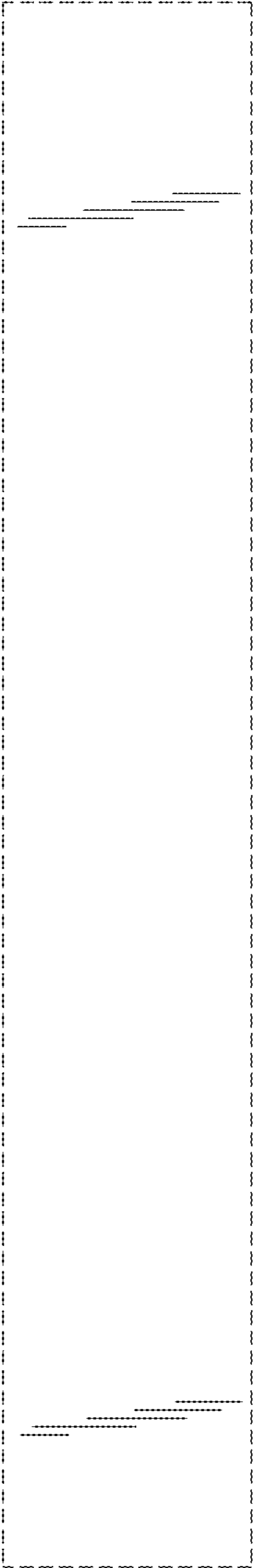


FIG. 6

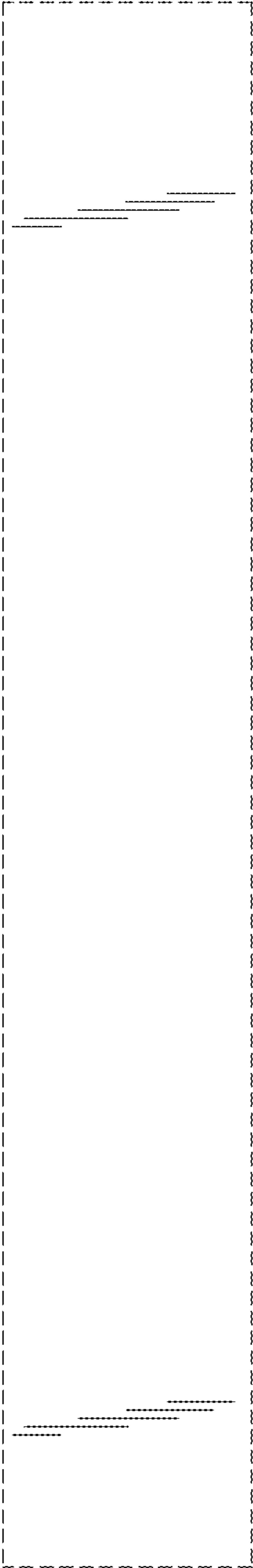


FIG. 7

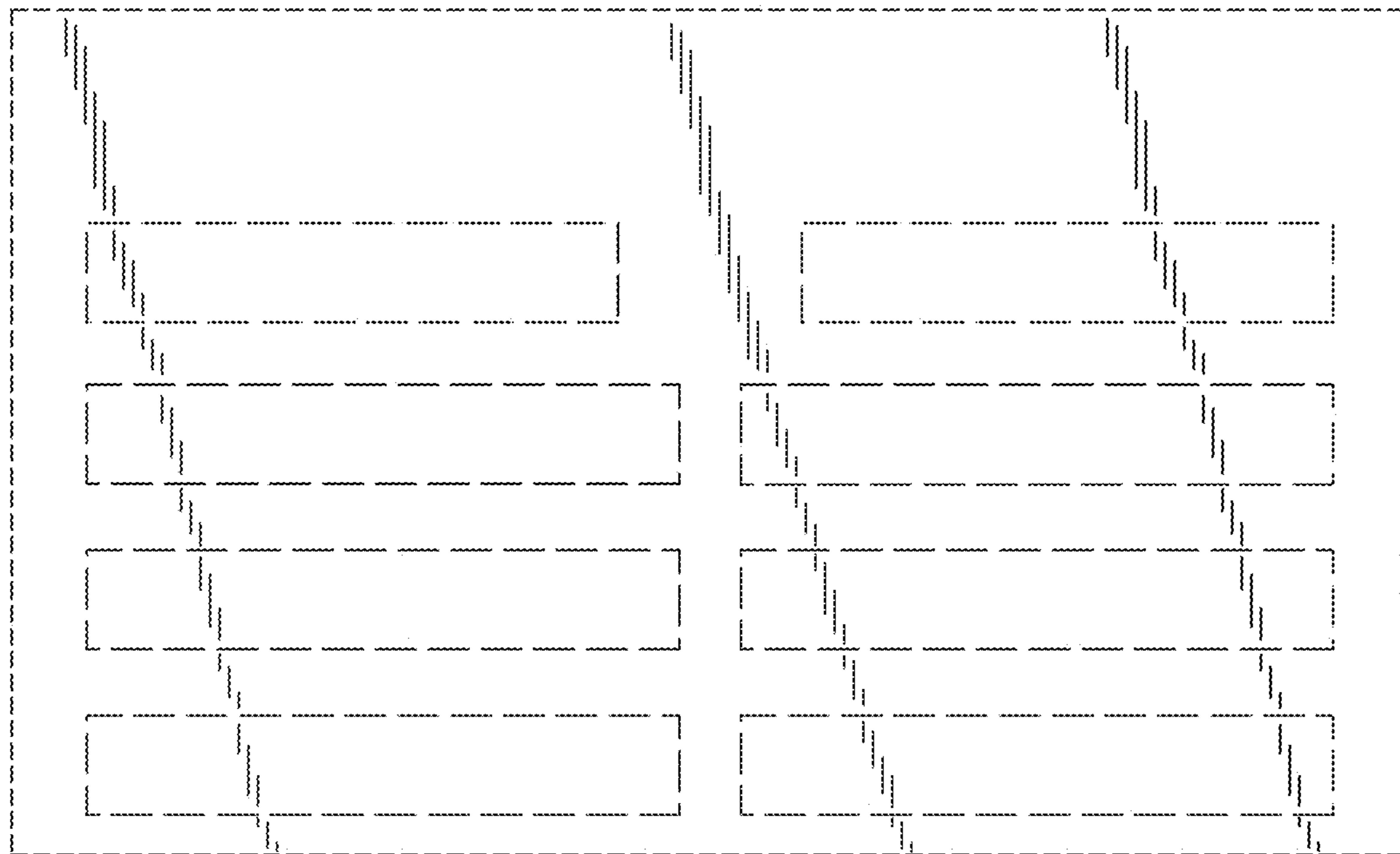


FIG. 8

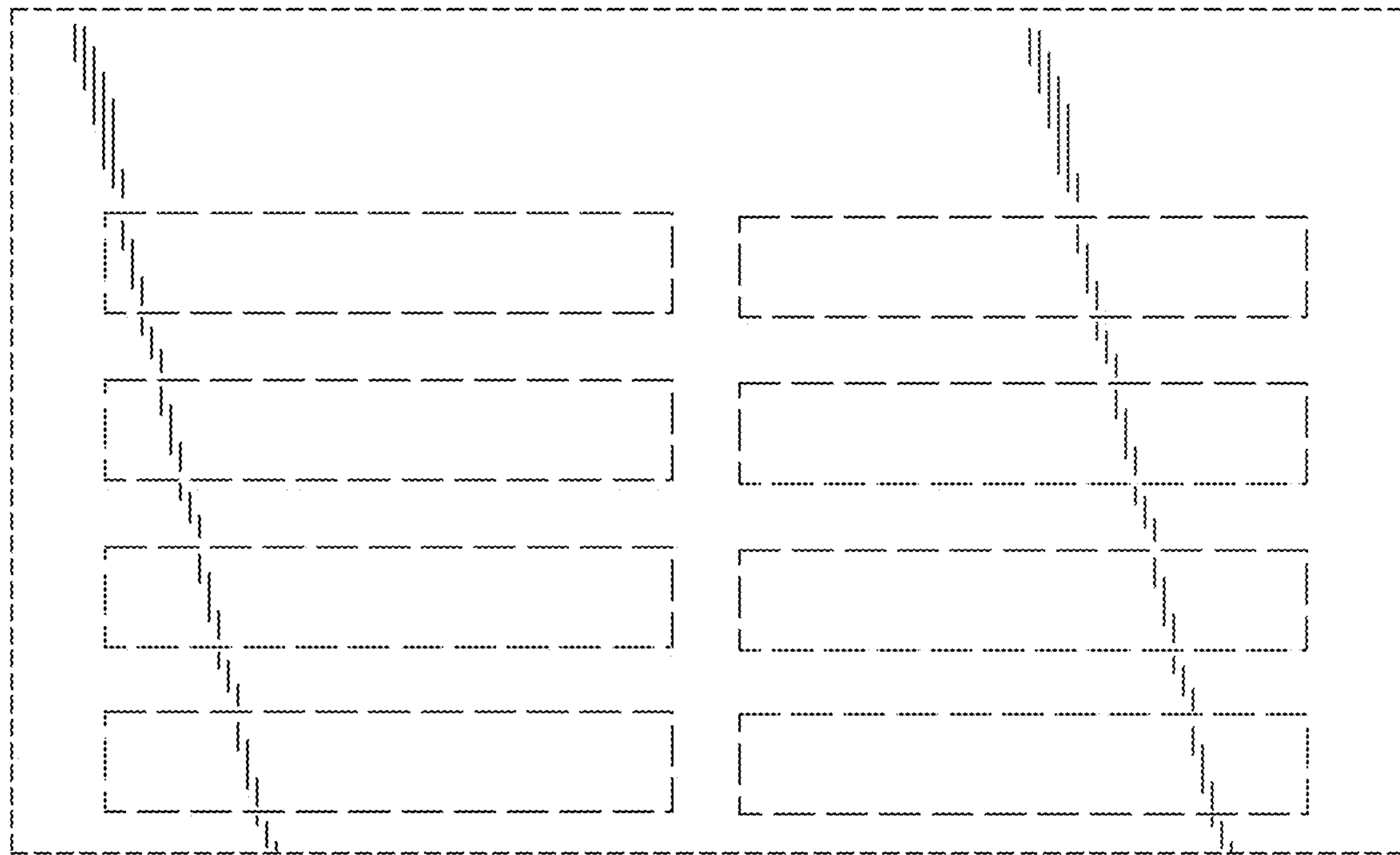


FIG. 9

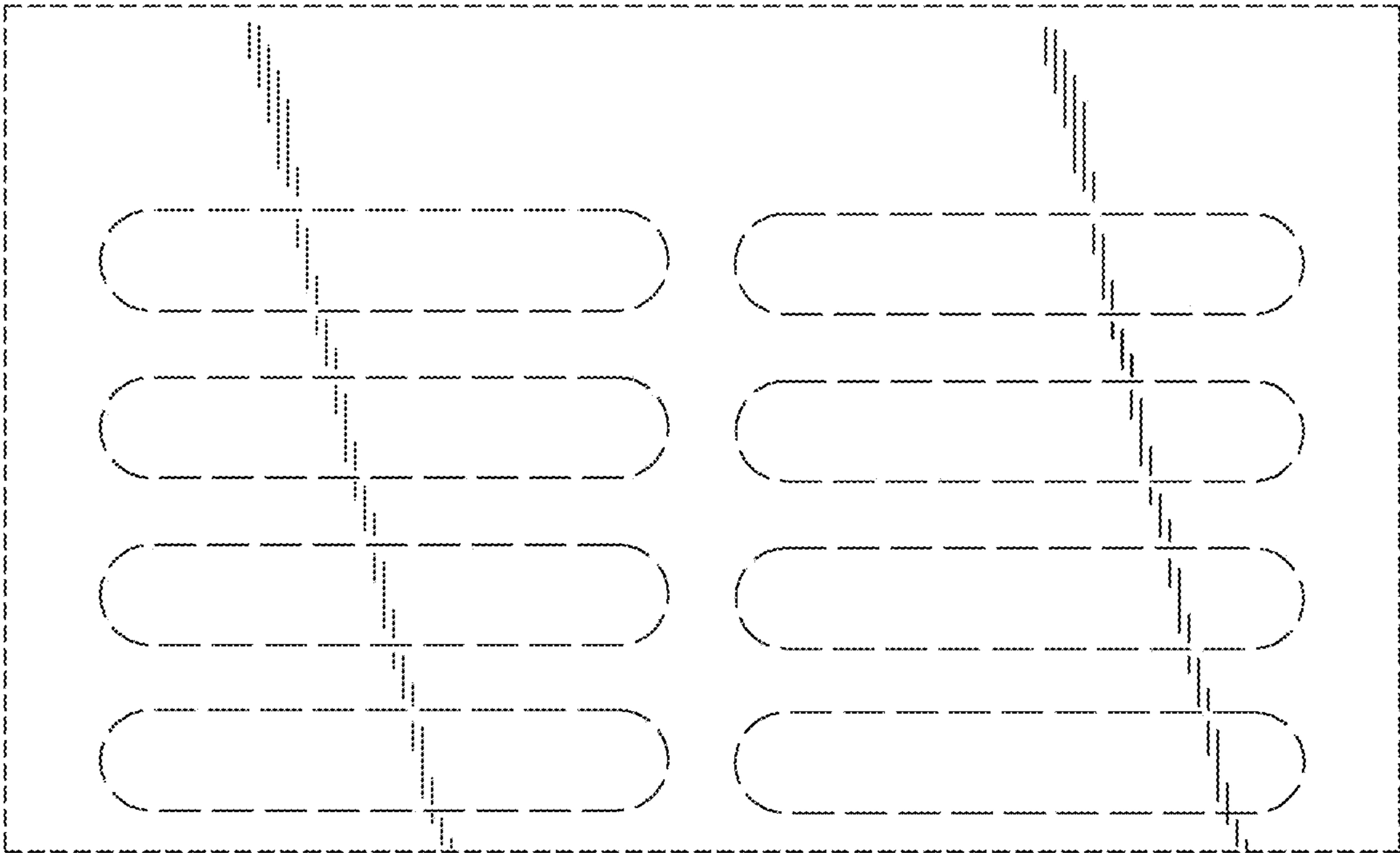


FIG. 10

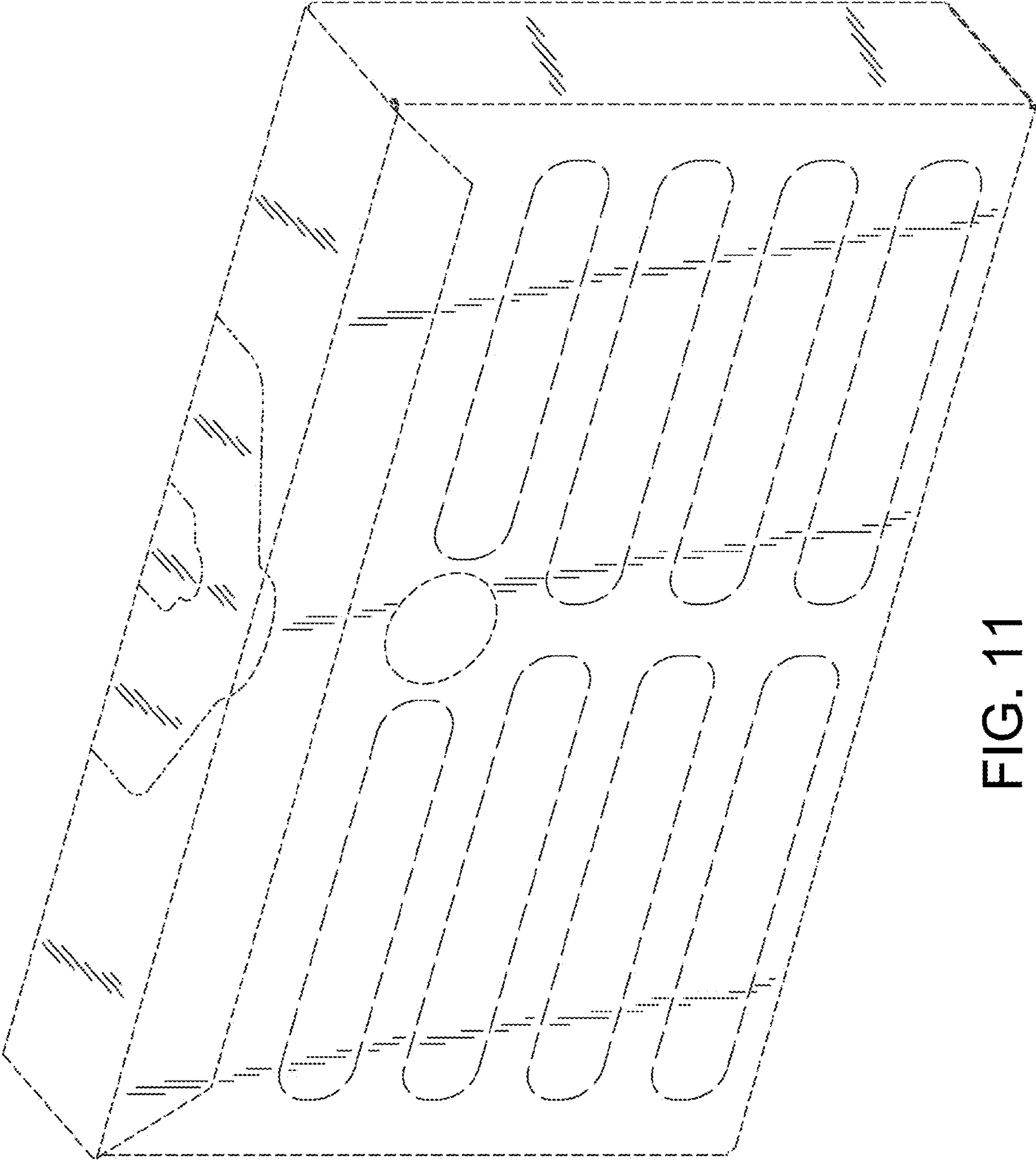


FIG. 11

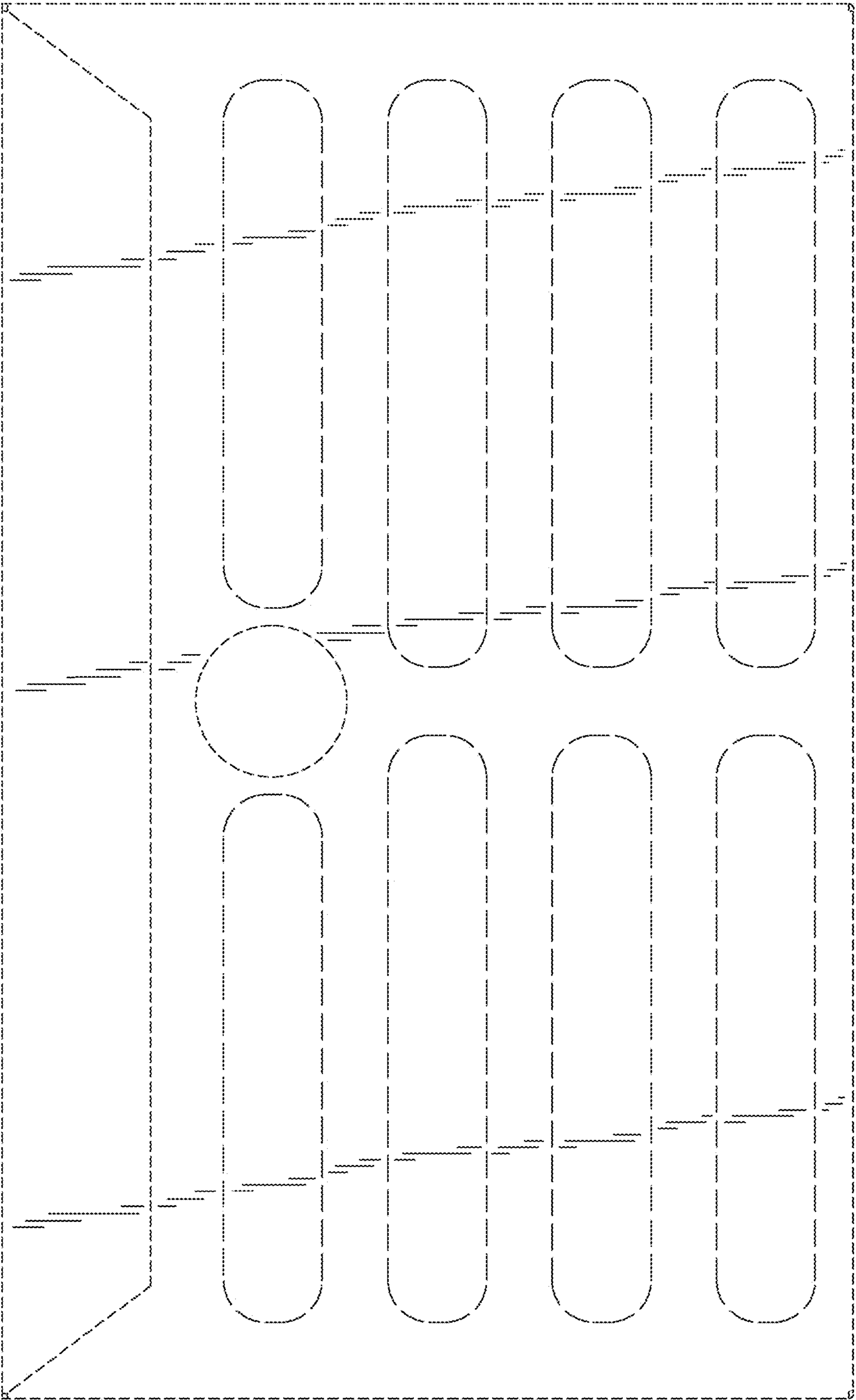


FIG. 12

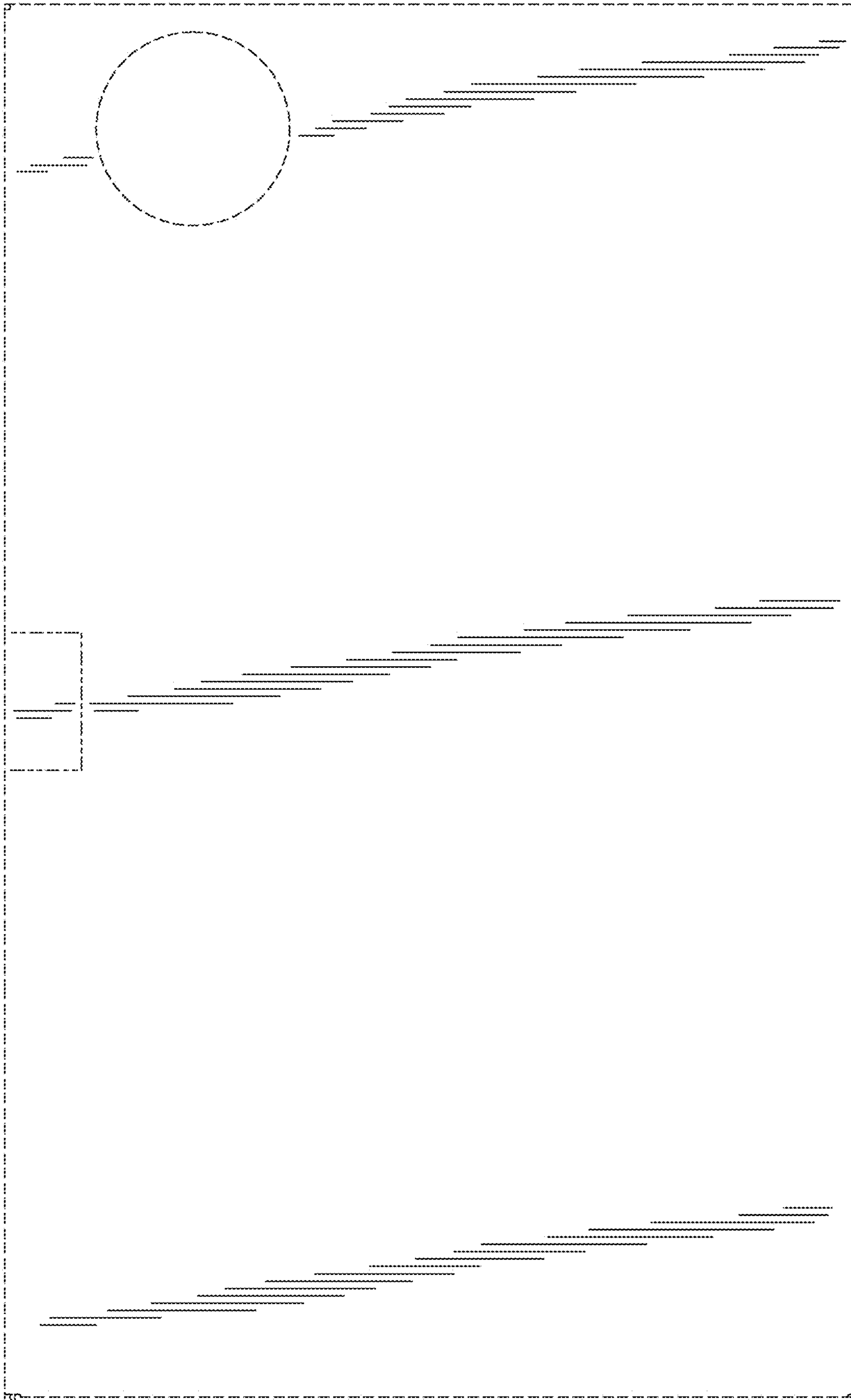


FIG. 13



FIG. 15



FIG. 14

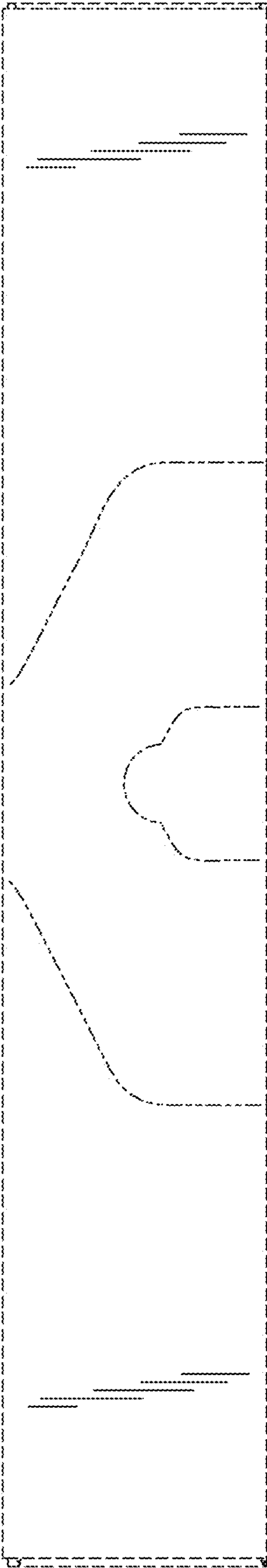


FIG. 16

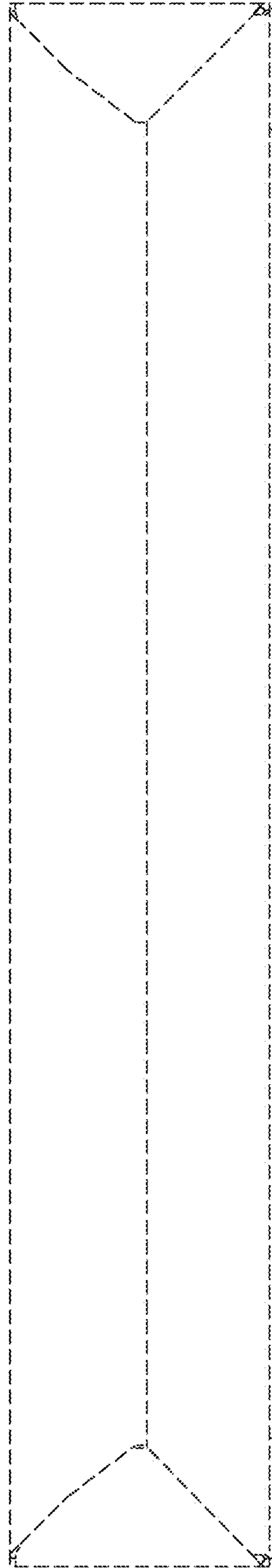


FIG. 17