



US00D907994S

(12) **United States Design Patent**  
**Chiang**

(10) **Patent No.:** **US D907,994 S**

(45) **Date of Patent:** **\*\* Jan. 19, 2021**

(54) **WINE BOTTLE GIFT BOX**

(71) Applicant: **MyGift Enterprise, LLC**, Woodinville, WA (US)

(72) Inventor: **Cliff Chiang**, Woodinville, WA (US)

(\*\*) Term: **15 Years**

(21) Appl. No.: **29/672,680**

(22) Filed: **Dec. 7, 2018**

(51) **LOC (13) Cl.** ..... **09-03**

(52) **U.S. Cl.**  
USPC ..... **D9/415**

(58) **Field of Classification Search**  
USPC ..... D9/414-420, 737, 423, 504, 757, 444, D9/544, 705, 703, 629, 432, 702, 704; D6/677.3, 515; D99/1, 33, 12, 5, 28; D2/639; D19/75; D34/7; D3/265, 273, D3/203.1, 271.7, 294, 272, 270; D7/510, D7/316; D28/79

CPC ..... B65D 23/0871; B65D 5/503; B65D 9/12; B65D 75/004; B65D 85/1036; B65D 5/0254; A47L 13/25761; A47L 17/007; E05G 1/005

See application file for complete search history.

D270,967 S \* 10/1983 Matt ..... D3/265  
D276,579 S \* 12/1984 Gordon ..... D6/515  
D303,765 S \* 10/1989 Kaplan ..... D9/423  
D309,104 S \* 7/1990 Solomon ..... D3/272  
D333,614 S \* 3/1993 Miguel ..... D19/75  
D350,002 S \* 8/1994 Viola ..... D99/28  
5,435,256 A \* 7/1995 Svehaug ..... E05G 1/005  
109/65  
D361,429 S \* 8/1995 Mohundro ..... D3/270  
D365,208 S \* 12/1995 Laib ..... D3/294  
D369,466 S \* 5/1996 Jannard ..... D3/272  
D388,225 S \* 12/1997 Saaf ..... D99/12  
D396,736 S \* 8/1998 Davis ..... D2/639  
D408,594 S \* 4/1999 Nakano ..... D28/79  
D424,434 S \* 5/2000 Hoffman ..... D9/432  
6,094,789 A \* 8/2000 Hankel ..... A61G 17/007  
27/2  
D437,685 S \* 2/2001 Liu ..... D3/294  
D438,687 S \* 3/2001 Robinson ..... D99/5  
D439,405 S \* 3/2001 Veazey ..... D3/271.7

(Continued)

*Primary Examiner* — Rhea Shields  
(74) *Attorney, Agent, or Firm* — Dean Craine; Mansa Whitaker

(57) **CLAIM**

The ornamental design for a wine bottle gift box, as shown.

**DESCRIPTION**

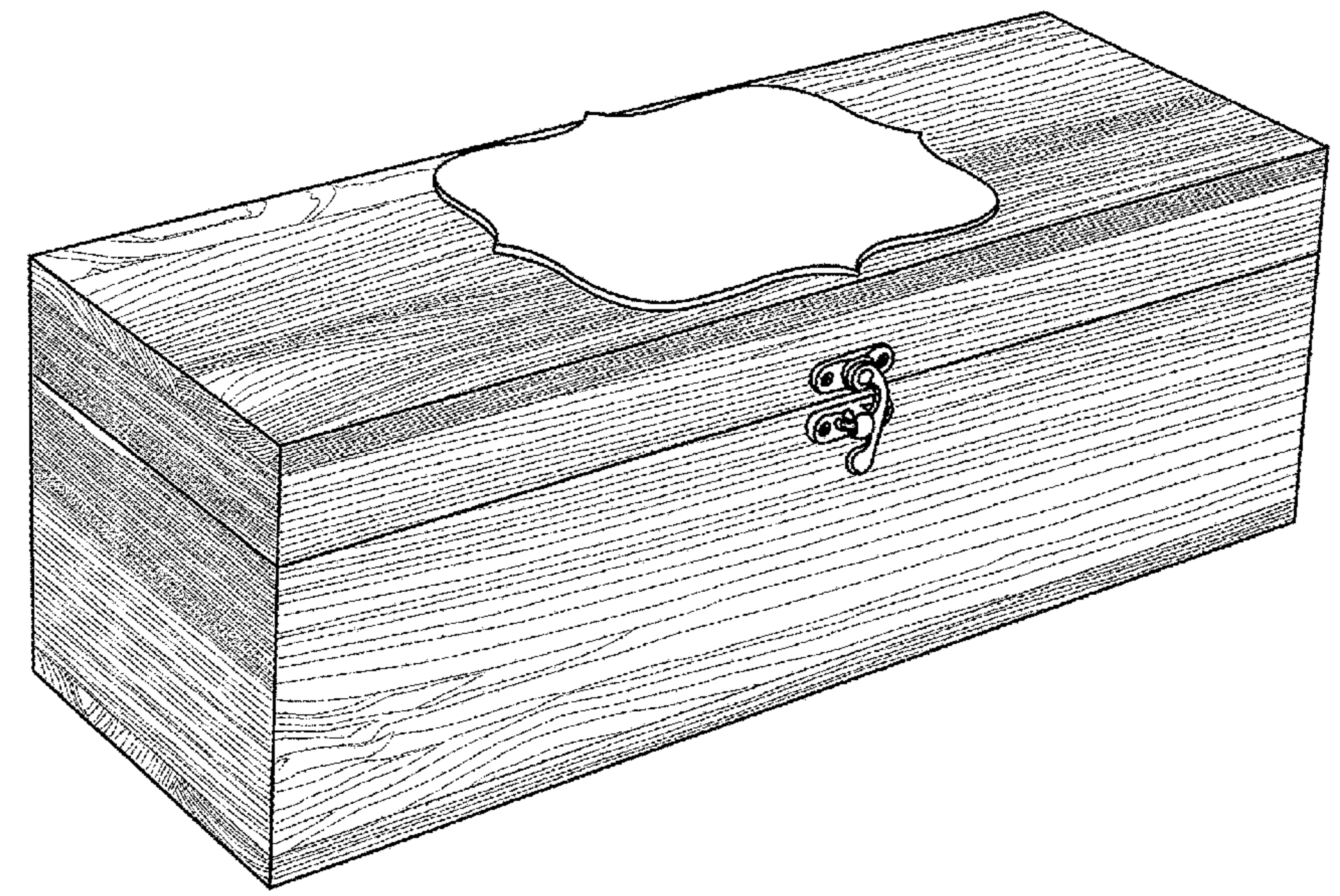
FIG. 1 is a top perspective view of a wine bottle gift box with the lid in a closed position showing my new design.  
FIG. 2 is a top perspective view of a wine bottle gift box with the lid in an open position.  
FIG. 3 is a front elevational view thereof.  
FIG. 4 is a rear elevational thereof.  
FIG. 5 is a top plan view thereof.  
FIG. 6 is a bottom plan view thereof.  
FIG. 7 is a left side elevational view thereof; and,  
FIG. 8 is a right side elevational view thereof.

**1 Claim, 8 Drawing Sheets**

(56) **References Cited**

U.S. PATENT DOCUMENTS

1,222,416 A \* 4/1917 Krbavac ..... B65D 9/12  
217/12 R  
D75,484 S \* 6/1928 Gebhard ..... D9/432  
2,445,001 A \* 7/1948 Pence ..... B65D 85/1036  
206/268  
2,672,274 A \* 3/1954 Crane ..... B65D 5/0254  
229/159  
3,006,461 A \* 10/1961 McGinnis ..... B65D 5/503  
206/446  
3,312,337 A \* 4/1967 Martin ..... B65D 75/004  
206/497



(56)

**References Cited**

U.S. PATENT DOCUMENTS

D442,760	S	*	5/2001	Cavero	.....	D99/33
D484,304	S	*	12/2003	Sanderson	.....	D3/203.1
D485,172	S	*	1/2004	Defino, Jr.	.....	D9/415
6,718,733	B2	*	4/2004	Kilmartin	.....	B65D 23/0871 215/11.6
D495,136	S	*	8/2004	Greene	.....	D3/273
D497,233	S	*	10/2004	Parker	.....	D99/1
D548,107	S	*	8/2007	Glass	.....	D9/704
D555,008	S	*	11/2007	Gattin	.....	D9/702
D587,565	S	*	3/2009	Choi	.....	D9/415
D665,194	S	*	8/2012	Lenney	.....	D6/677.3
D672,640	S	*	12/2012	Boissinot	.....	D9/418
D699,563	S	*	2/2014	McAdam	.....	D9/418
D711,615	S	*	8/2014	Girton	.....	D99/1
D725,480	S	*	3/2015	Lipman	.....	D9/629
D728,297	S	*	5/2015	Melzer	.....	D7/316
D739,766	S	*	9/2015	Glass	.....	D9/705
D744,279	S	*	12/2015	Arciero	.....	D7/510
D749,964	S	*	2/2016	Glass	.....	D9/703
D776,521	S	*	1/2017	Hardy	.....	D9/418
D777,572	S	*	1/2017	Mast	.....	D9/444
D799,137	S	*	10/2017	Bowen	.....	D34/7
D829,569	S	*	10/2018	O'Neill	.....	D9/759
D850,916	S	*	6/2019	Kuma	.....	D9/504
D850,917	S	*	6/2019	Kuma	.....	D9/504
D853,074	S	*	7/2019	Hirayama	.....	D99/1
D857,512	S	*	8/2019	Vellas	.....	D9/544
D864,756	S	*	10/2019	O'Neill	.....	D9/737

\* cited by examiner

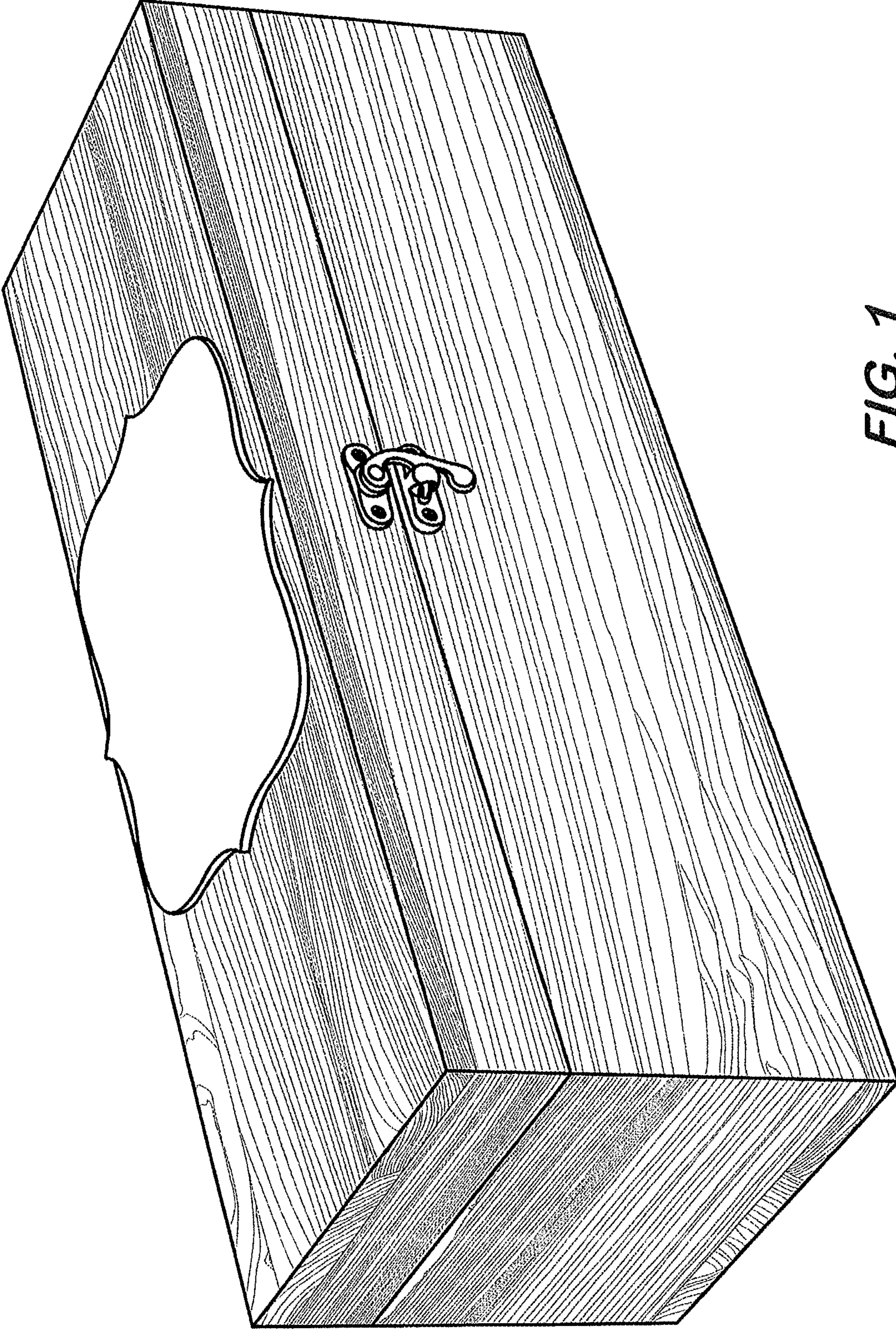


FIG. 1

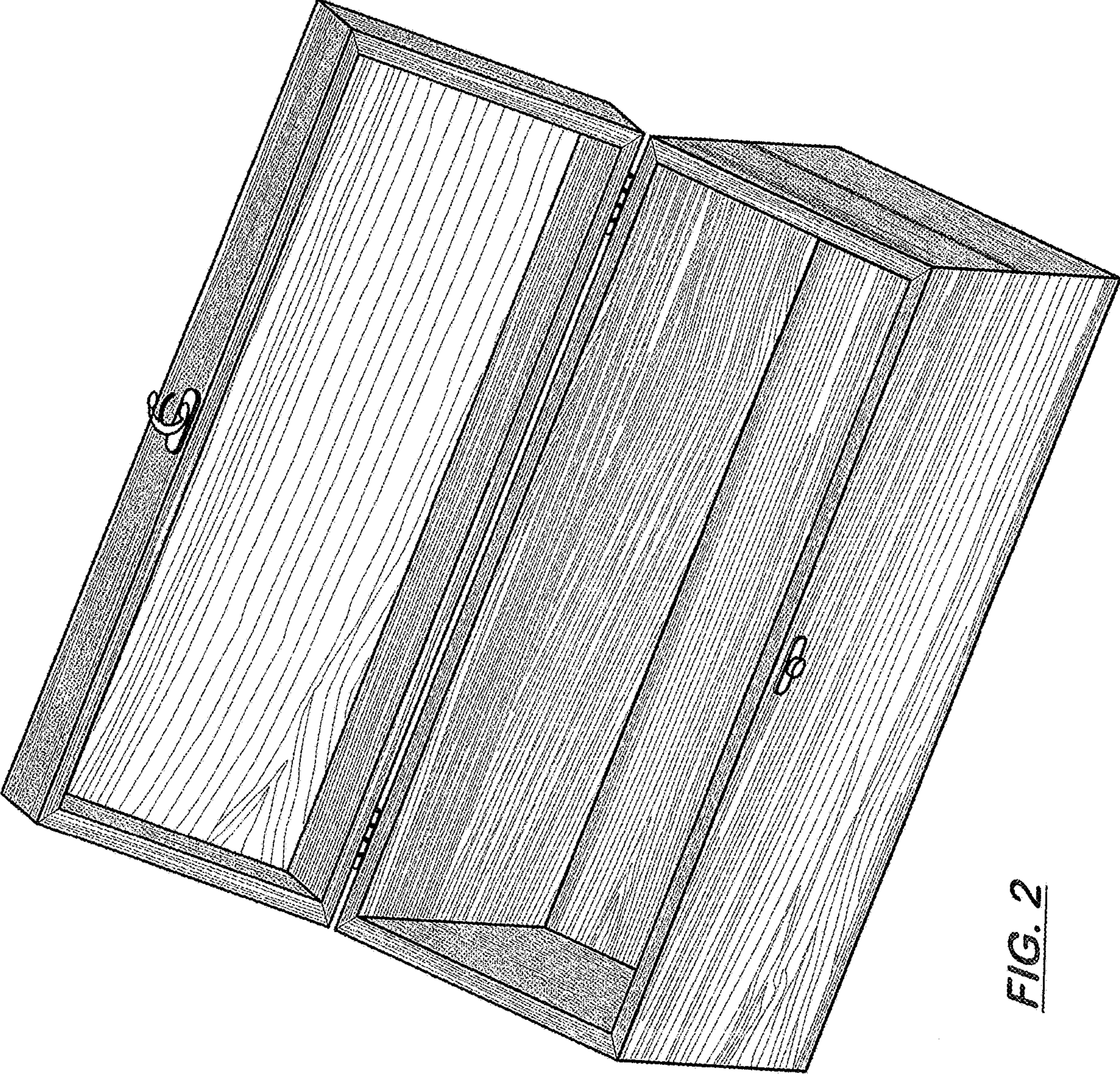


FIG. 2

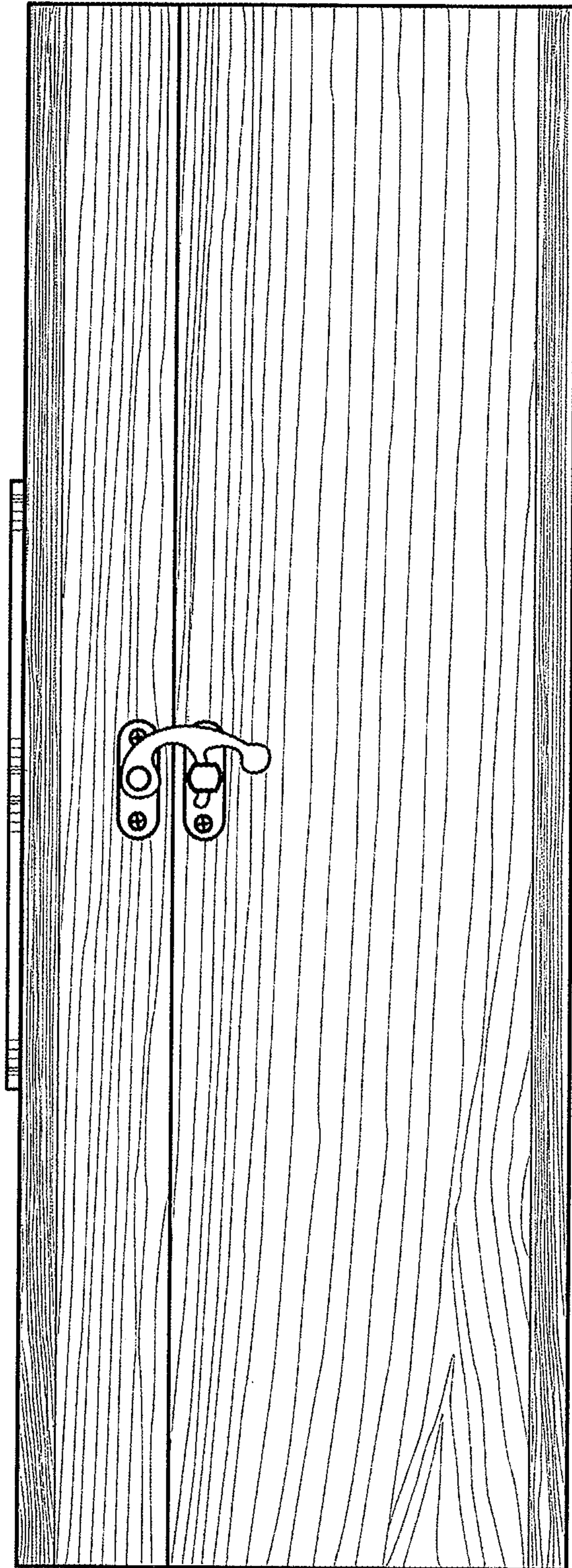


FIG. 3

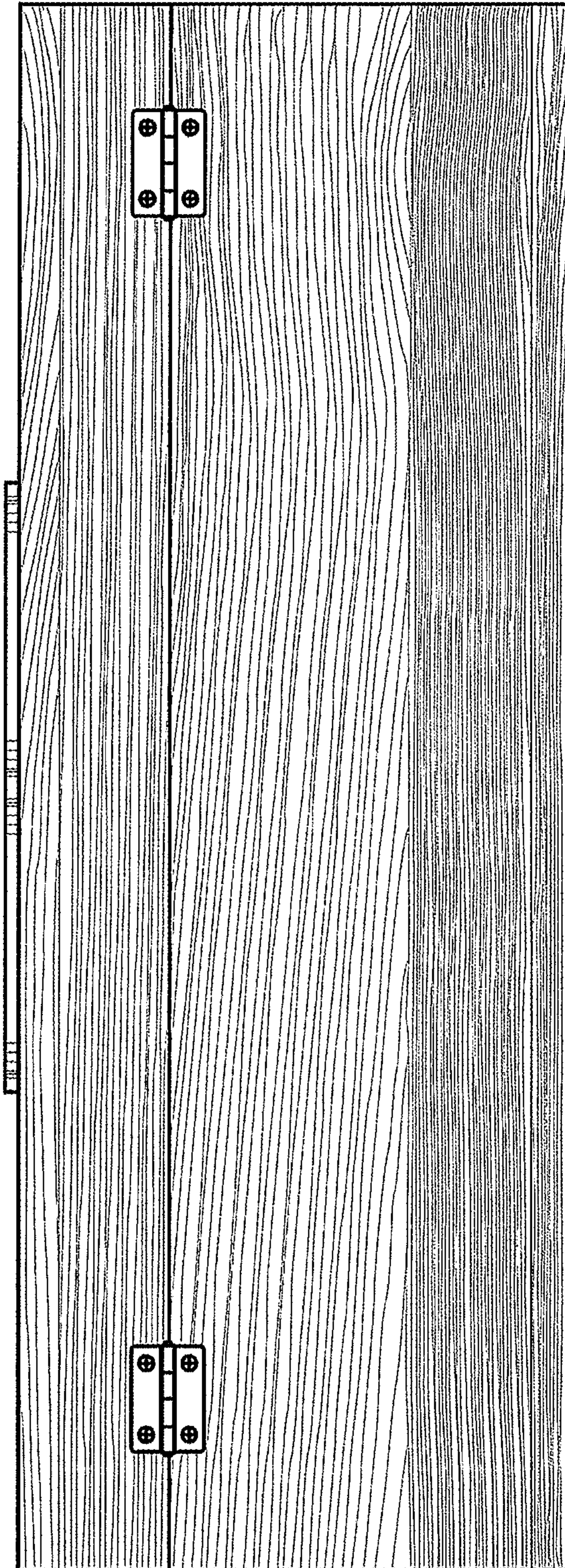


FIG. 4

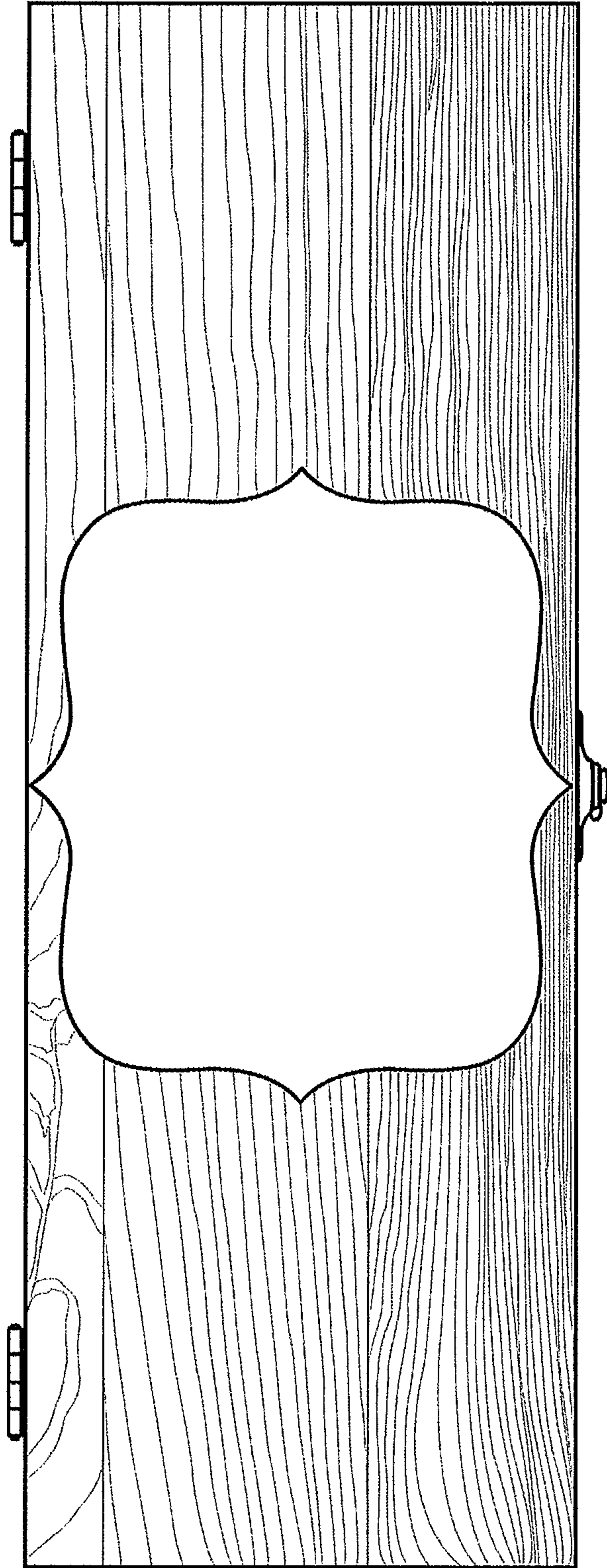


FIG. 5

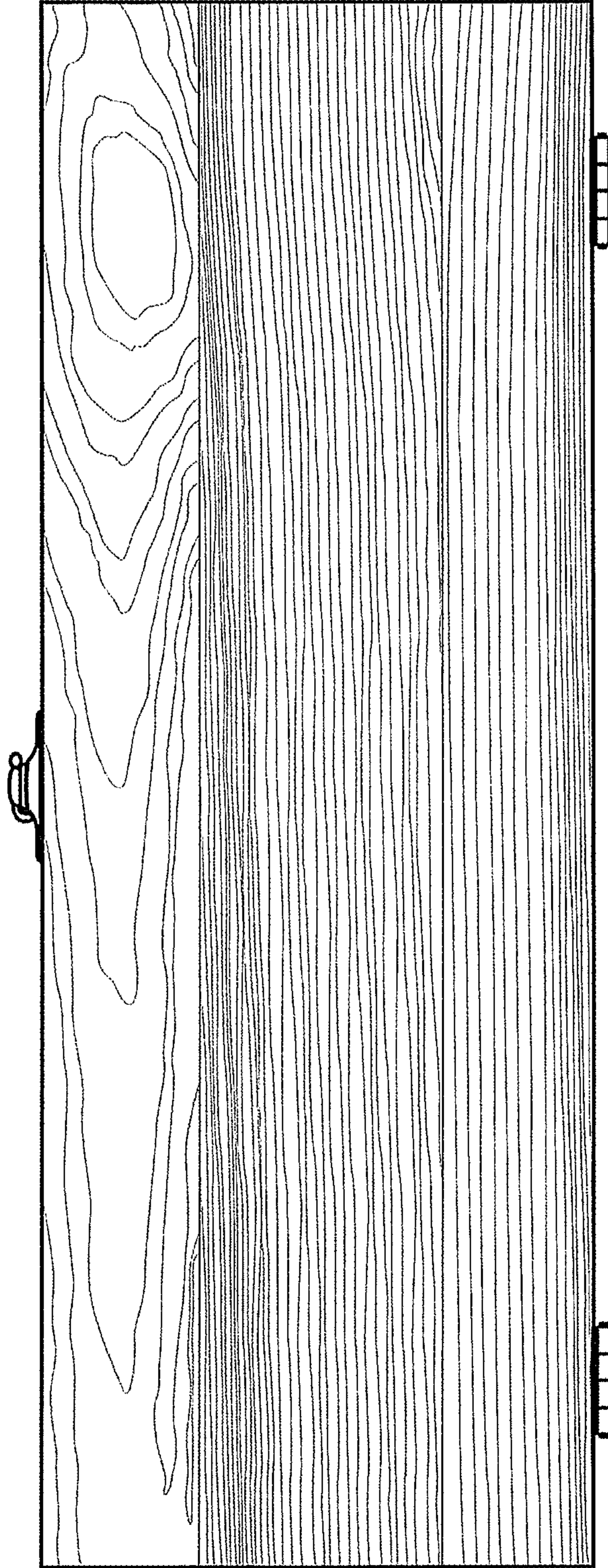


FIG. 6



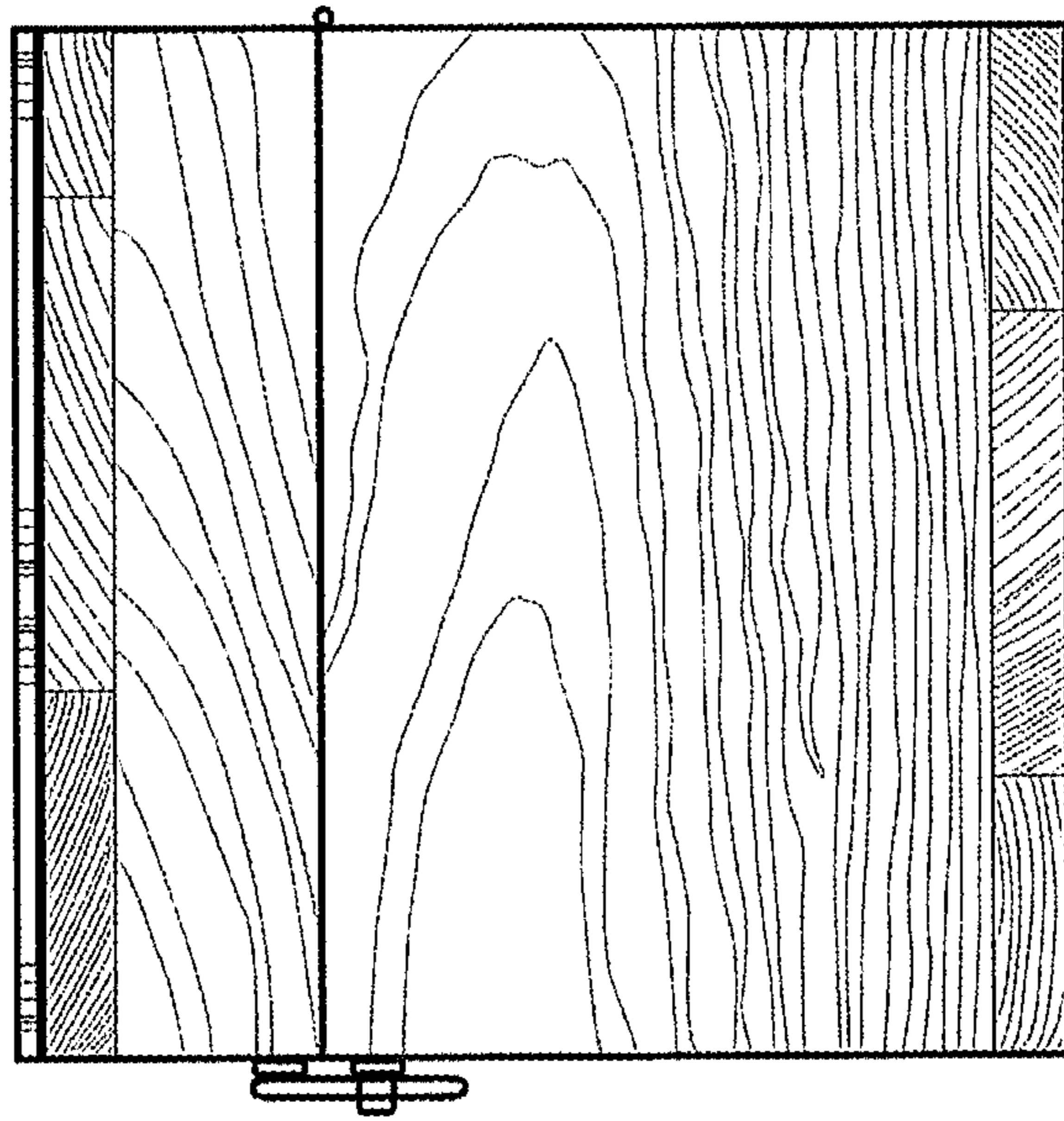


FIG. 7

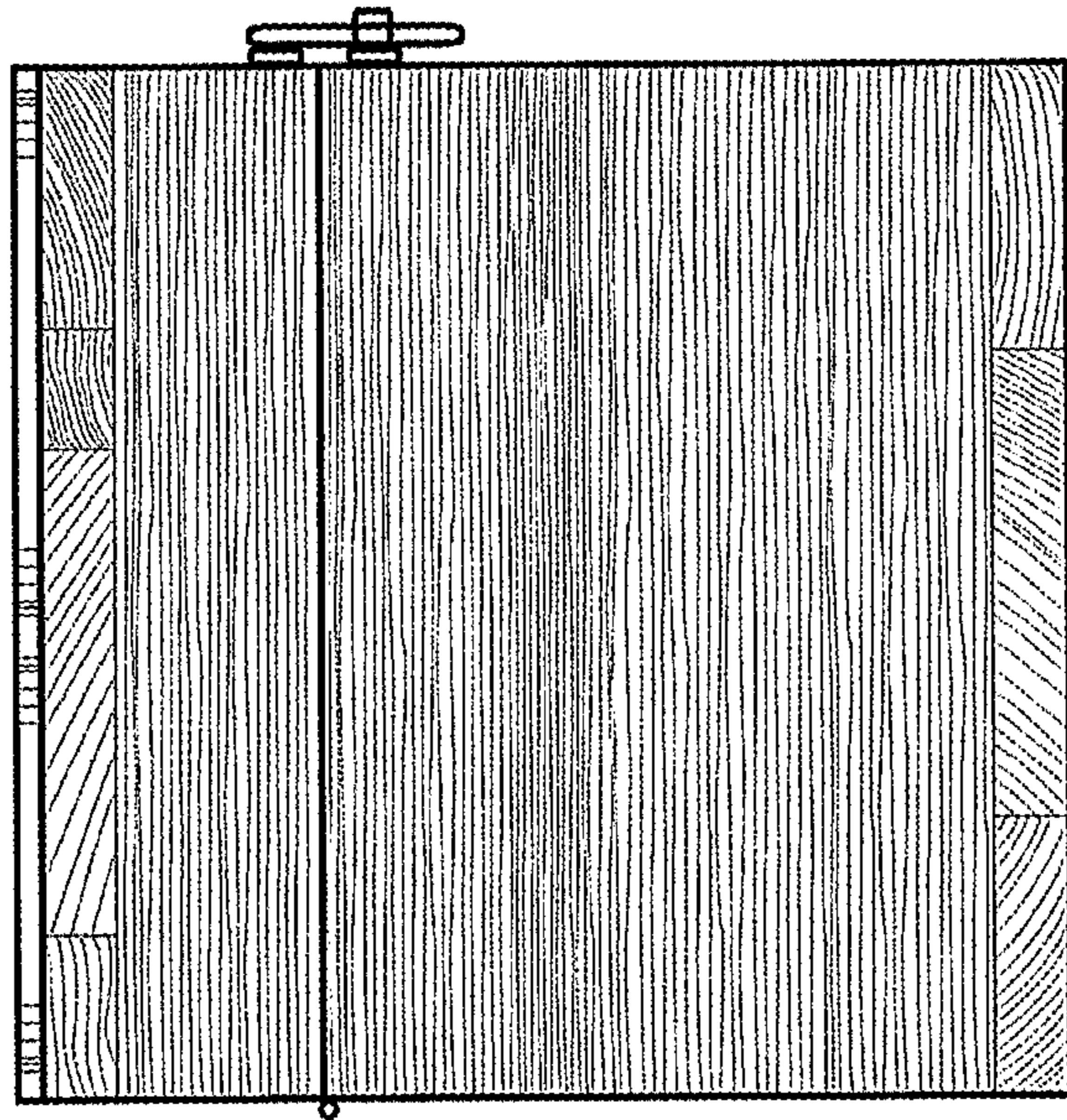


FIG. 8