



US00D907993S

(12) **United States Design Patent**
MulHolland

(10) **Patent No.:** **US D907,993 S**

(45) **Date of Patent:** **** Jan. 19, 2021**

(54) **SOLDERING BLOCK FOR LED TAPE LIGHT**

(71) Applicant: **Connlaoth MulHolland**, San Francisco, CA (US)

(72) Inventor: **Connlaoth MulHolland**, San Francisco, CA (US)

(**) Term: **15 Years**

(21) Appl. No.: **29/673,213**

(22) Filed: **Dec. 12, 2018**

(51) **LOC (13) Cl.** **08-08**

(52) **U.S. Cl.**
USPC **D8/394; D8/349**

(58) **Field of Classification Search**
USPC D8/56, 67, 72; D15/144, 144.1, 144.2; D19/66, 68, 75, 86, 88, 91, 100; D32/35, D32/63, 54, 60, 61, 64, 65
CPC .. B25B 1/00; B25B 1/20; B25B 1/205; B23K 3/00; B23K 3/087; B23K 3/08
See application file for complete search history.

(56) **References Cited**

U.S. PATENT DOCUMENTS

- D182,845 S 5/1958 Murinka
- 3,604,067 A * 9/1971 Brown B42F 3/00
24/67 R
- D303,216 S * 9/1989 Hoffman D9/434
- 5,183,237 A * 2/1993 Drago G02B 6/4464
254/134.4
- D340,328 S * 10/1993 Dragoneas D32/61
- 5,301,393 A * 4/1994 Brown B42F 1/02
24/499
- D420,912 S * 2/2000 Vaught D9/435
- D452,377 S * 12/2001 Cooke D3/318
- 6,813,814 B1 * 11/2004 Schultz A44B 99/00
24/545
- D510,019 S * 9/2005 Davis D34/10
- D521,369 S * 5/2006 Sollberger D8/395

- D550,550 S * 9/2007 Lee D8/395
- D564,346 S * 3/2008 Wolff D8/395
- D566,511 S * 4/2008 Seehoff D8/395
- D566,536 S * 4/2008 Wolff D8/395
- D571,649 S * 6/2008 Baker D8/395
- D637,905 S * 5/2011 Abrams D9/434
- D671,822 S * 12/2012 van der Lande .. B65D 33/1675
D8/395
- D671,823 S * 12/2012 van der Lande G09D 3/06
D8/395
- D671,824 S * 12/2012 van der Lande B42F 1/02
D8/395
- D671,825 S * 12/2012 van der Lande D8/395
- D683,511 S * 5/2013 Fascitelli D32/61

(Continued)

FOREIGN PATENT DOCUMENTS

KR 20130141082 A * 12/2013

Primary Examiner — Garth Rademaker

Assistant Examiner — Fritzgerald L Butac

(57) **CLAIM**

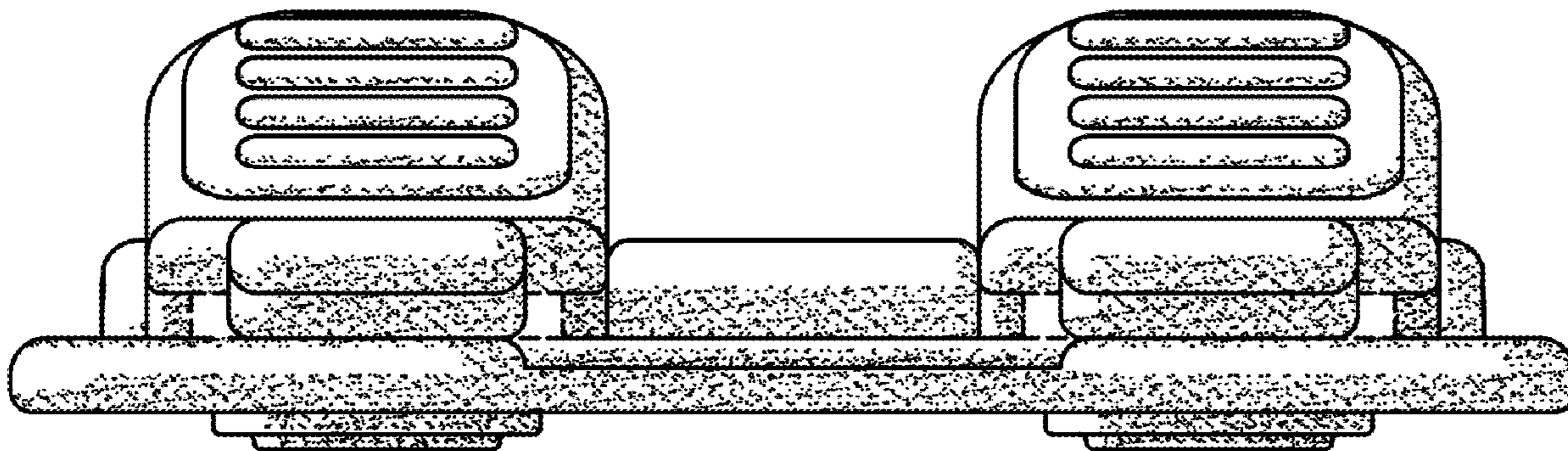
The ornamental design of a soldering block for LED tape light, substantially as shown and described.

DESCRIPTION

FIG. 1 is a front view of the soldering block for LED tape light of the present invention;
 FIG. 2 is a left side view thereof;
 FIG. 3 is a rear view thereof;
 FIG. 4 is a right side view thereof;
 FIG. 5 is a top view thereof;
 FIG. 6 is a bottom view thereof; and,
 FIG. 7 is a perspective view thereof.

The stippling in the drawings is meant to convey contours and not a contrast in materials. The stippling forms no part of the claimed design. The areas defined by broken lines form no part of the claimed design.

1 Claim, 4 Drawing Sheets



(56)

References Cited

U.S. PATENT DOCUMENTS

8,616,384 B1 * 12/2013 Tucker B65D 33/1675
211/85.15
D755,620 S * 5/2016 Li A47G 25/485
D8/395
D856,400 S * 8/2019 Harms B23K 37/0435
D16/237
2002/0162174 A1 * 11/2002 Adams B26B 27/00
7/158
2003/0126725 A1 * 7/2003 Housley A47G 25/485
24/510
2008/0093398 A1 * 4/2008 Cordova A47G 25/485
223/91
2017/0036818 A1 * 2/2017 Henry B65D 33/1675
2017/0039895 A1 * 2/2017 Henry G09D 3/06
2018/0048105 A1 2/2018 MulHolland
2018/0229323 A1 * 8/2018 Nelson B23K 37/0435

* cited by examiner

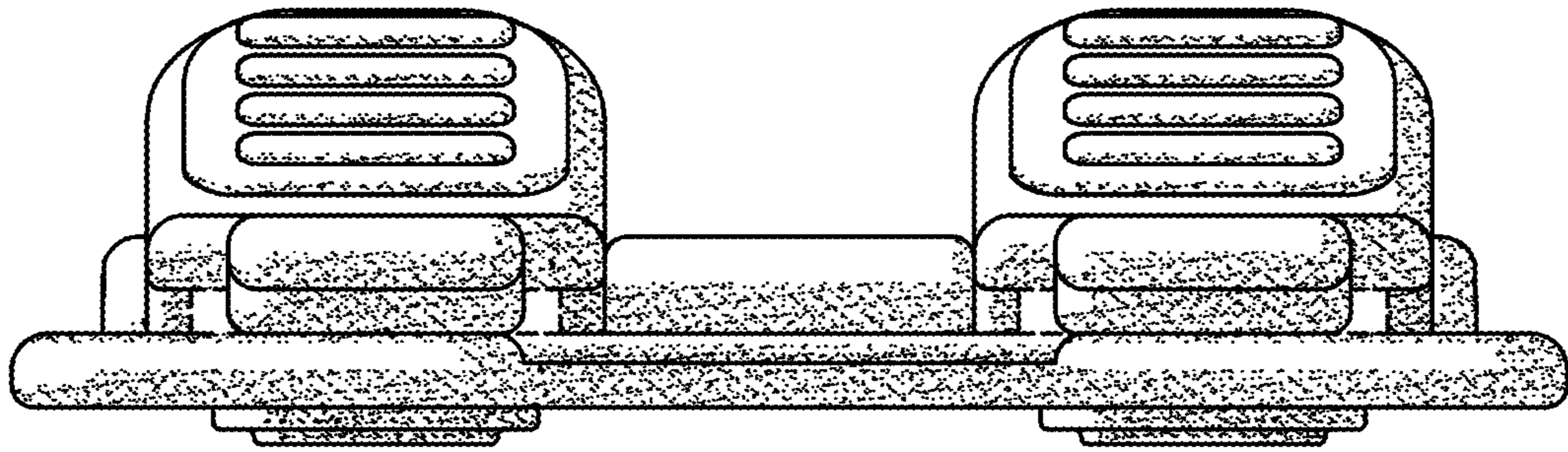


FIG. 1

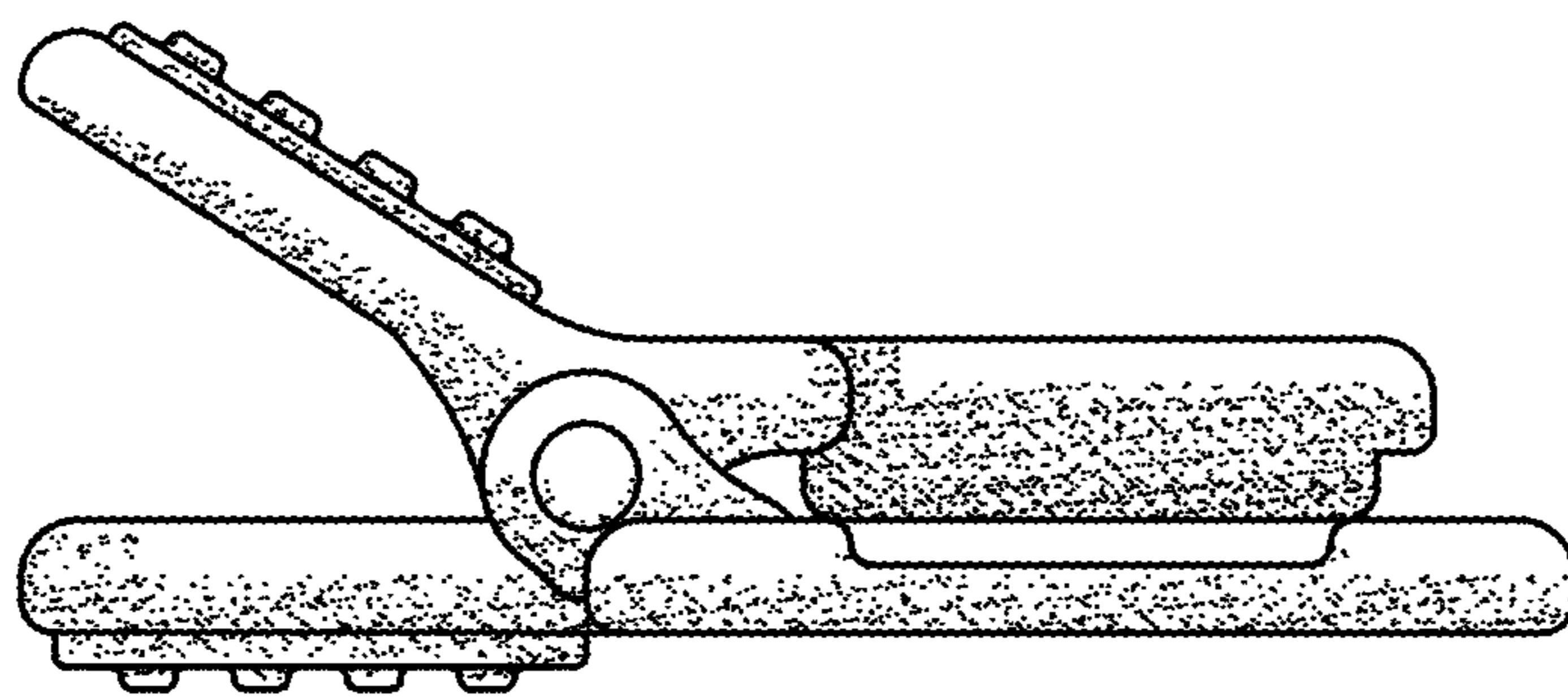


FIG. 2

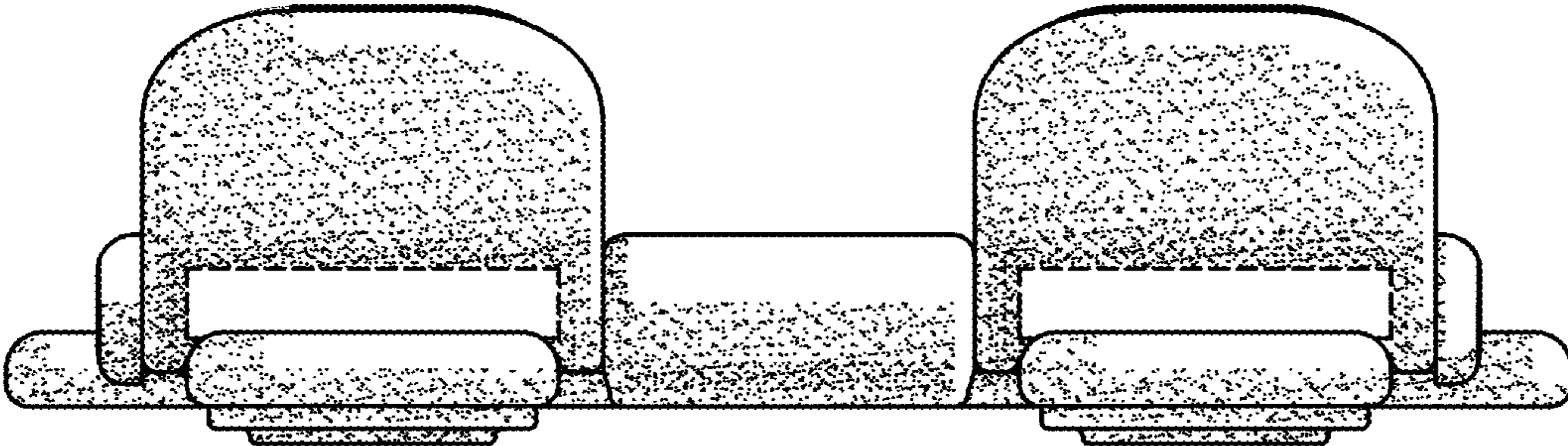


FIG. 3

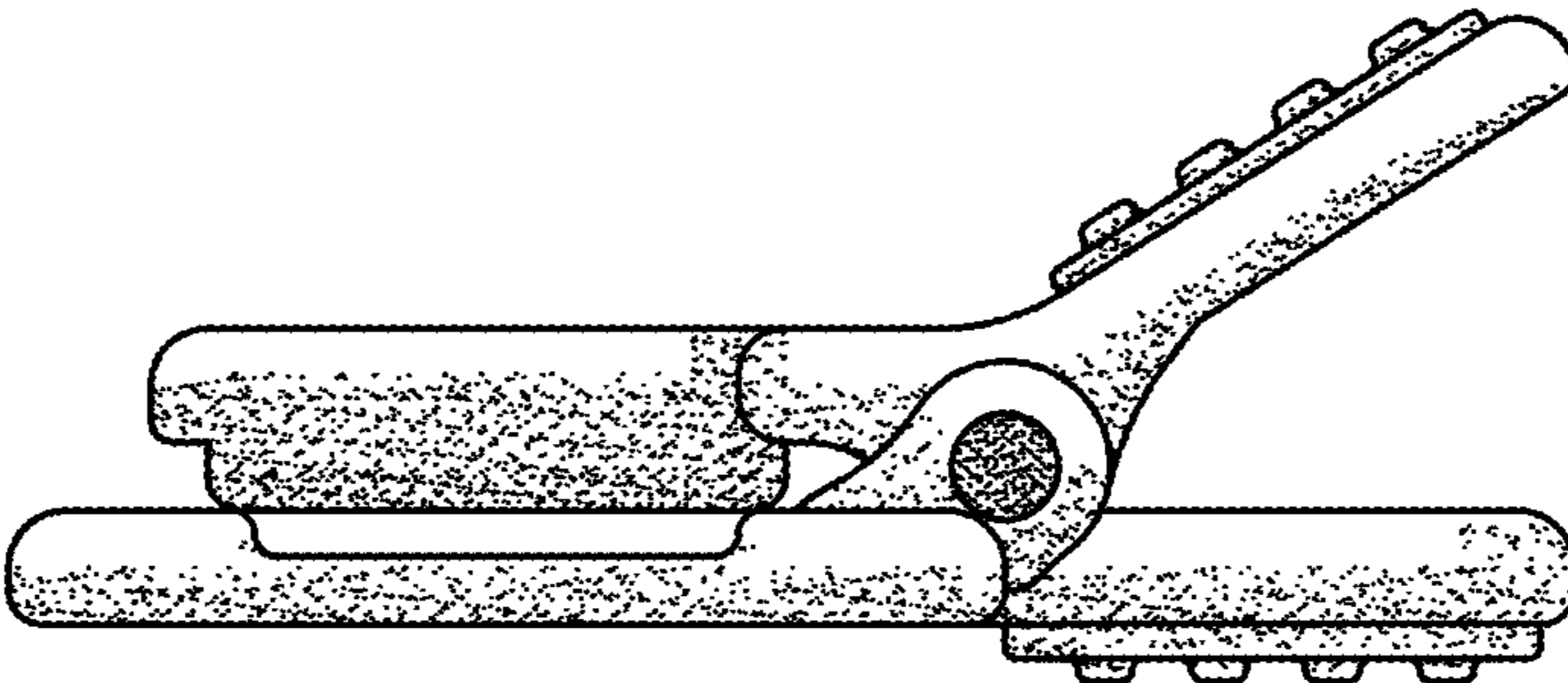


FIG. 4

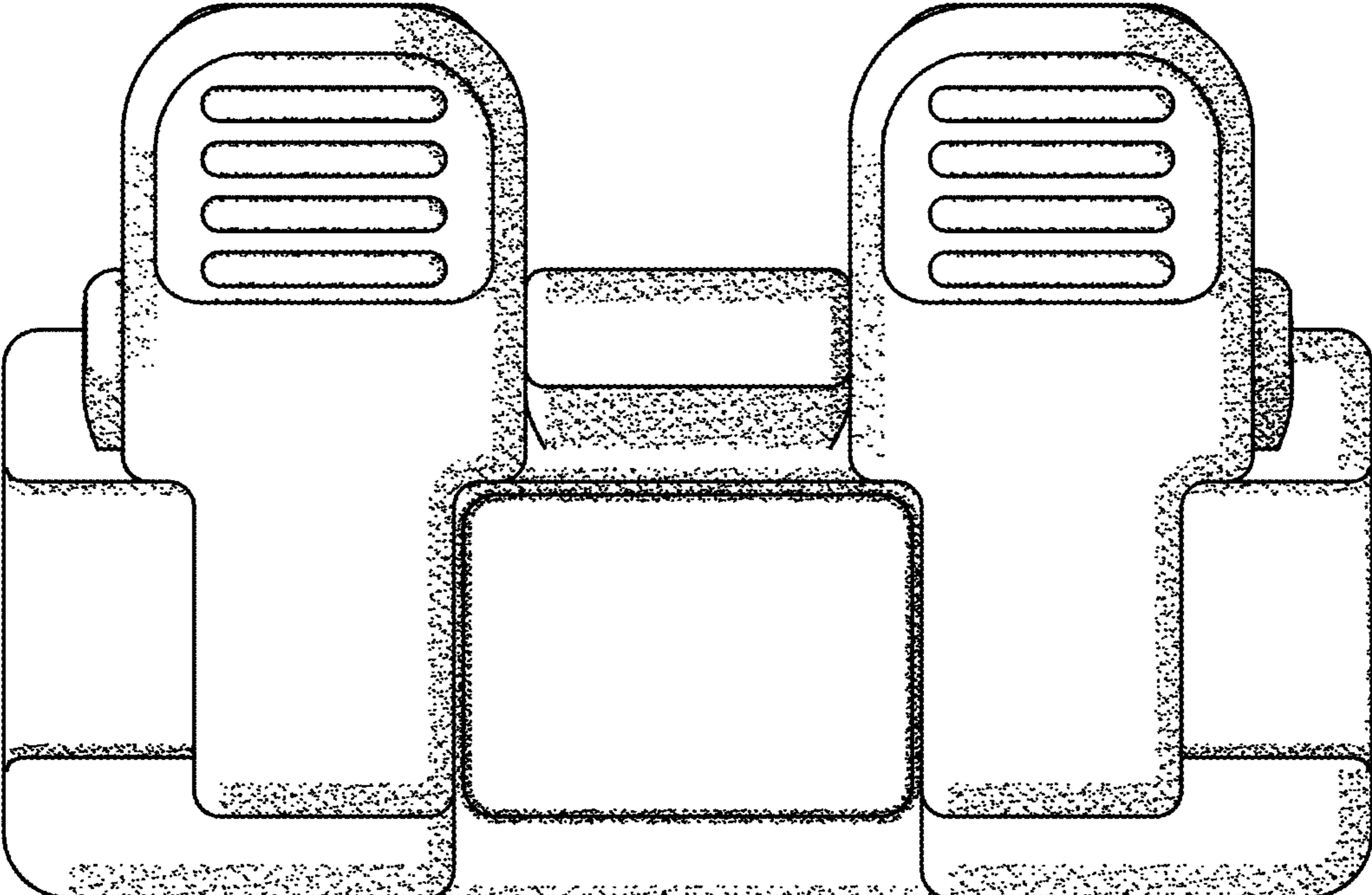


FIG. 5

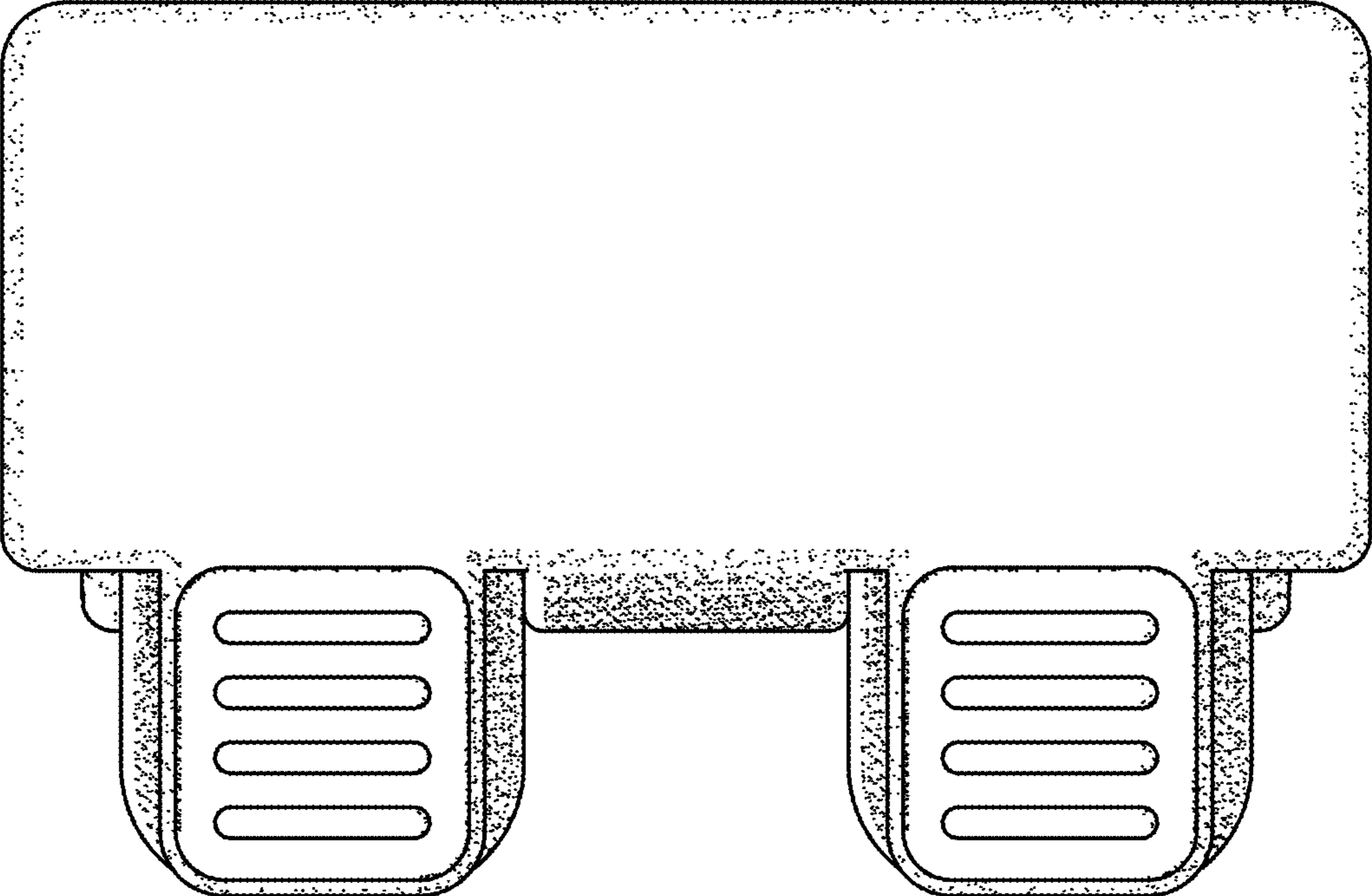


FIG. 6

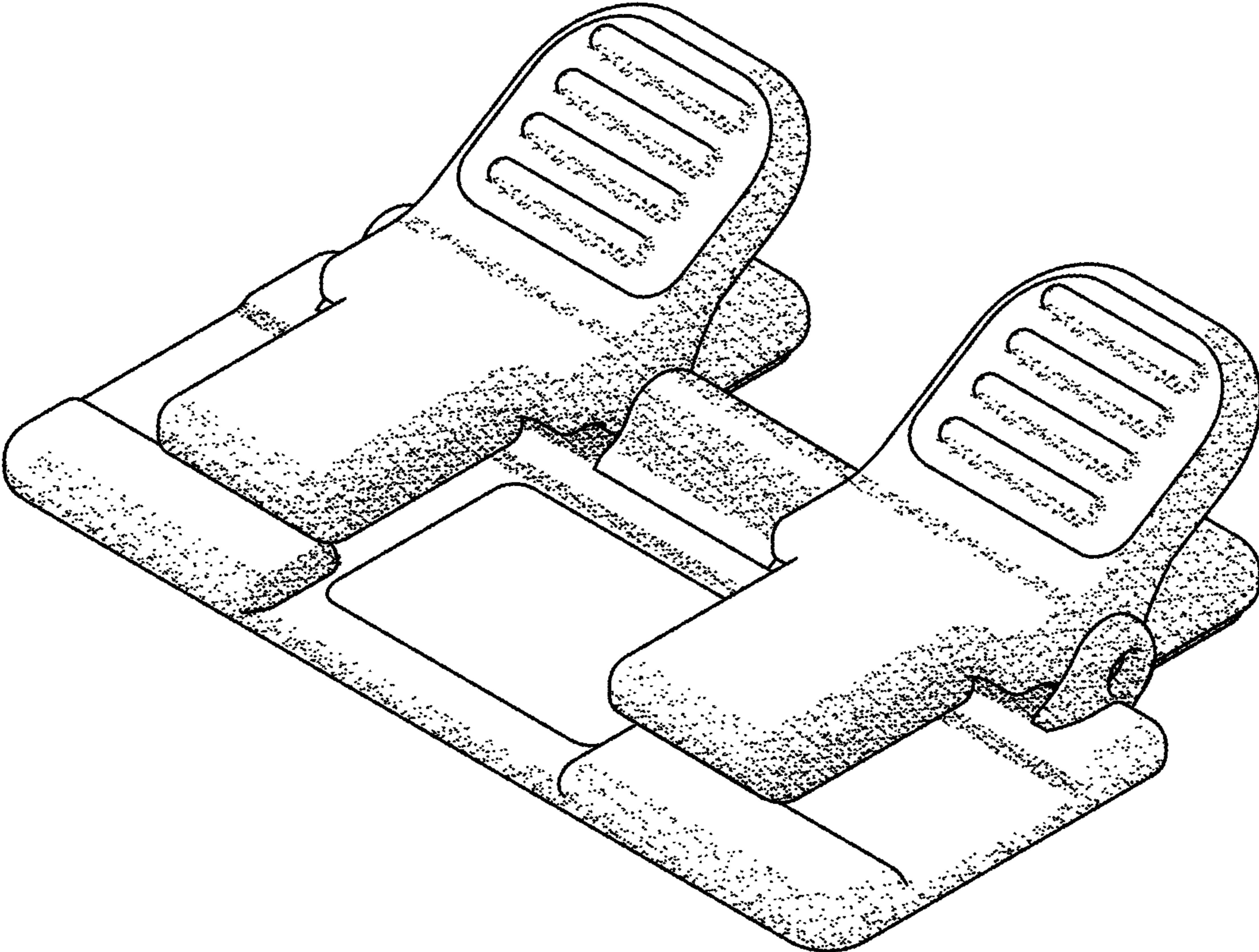


FIG. 7