



US00D907992S

(12) **United States Design Patent** (10) **Patent No.:** **US D907,992 S**
Kim (45) **Date of Patent:** **** Jan. 19, 2021**

(54) **STRING FASTENER**
(71) Applicant: **Sug Whan Kim**, Gimpo-si (KR)
(72) Inventor: **Sug Whan Kim**, Gimpo-si (KR)
(**) Term: **15 Years**
(21) Appl. No.: **29/673,610**
(22) Filed: **Dec. 17, 2018**

(30) **Foreign Application Priority Data**

Nov. 30, 2018 (KR) 30-2018-0056075

(51) **LOC (13) Cl.** **08-08**

(52) **U.S. Cl.**
USPC **D8/383**; D2/978

(58) **Field of Classification Search**
USPC D8/383, 394, 395, 356; D2/978, 853,
D2/609, 999; D11/215
CPC A43C 11/00; A43C 11/008; A43C 11/12;
A43C 11/22; A43C 11/24; A43C 11/165;
A43C 7/00; A43C 7/08; F16G 11/00;
F16G 11/02; F16G 11/103; F16G 11/044;
F16G 11/105; Y10T 24/39; Y10T
24/3984; Y10T 24/3969; Y10T 24/3973;
A41F 1/00; A45F 2003/001

See application file for complete search history.

(56) **References Cited**

U.S. PATENT DOCUMENTS

D328,241 S * 7/1992 Longstreet D8/356
D599,701 S * 9/2009 Jacobs D11/216
D692,293 S * 10/2013 Toscani D8/356
D709,755 S * 7/2014 Hollingworth D8/383
D751,281 S * 3/2016 Nickel D2/978
D758,061 S * 6/2016 Whewell D2/978
D799,810 S * 10/2017 Mayberry A43C 1/003
D2/978
10,609,988 B2 * 4/2020 Ha A43B 3/0078

2007/0084956 A1 * 4/2007 Chen A43C 11/165
242/388.6
2008/0172848 A1 * 7/2008 Chen A43C 1/00
24/68 SK
2010/0251524 A1 * 10/2010 Chen A43C 7/00
24/713.2
2011/0191992 A1 * 8/2011 Chen A43C 7/00
24/713.2
2011/0303782 A1 * 12/2011 Hu A43C 11/165
242/388
2014/0223704 A1 * 8/2014 Chang A43C 11/165
24/68 SK
2015/0121669 A1 * 5/2015 Jungkind A43C 11/16
24/712.5
2017/0304102 A1 * 10/2017 Turrini A61F 5/01
2018/0168259 A1 * 6/2018 Kim A41F 1/00
2019/0000187 A1 * 1/2019 Chen A43C 11/165
2019/0144150 A1 * 5/2019 Chen A43C 11/165
100/32

(Continued)

Primary Examiner — Sandra Snapp
Assistant Examiner — Ieisha N Price
(74) *Attorney, Agent, or Firm* — Lex IP Meister, PLLC

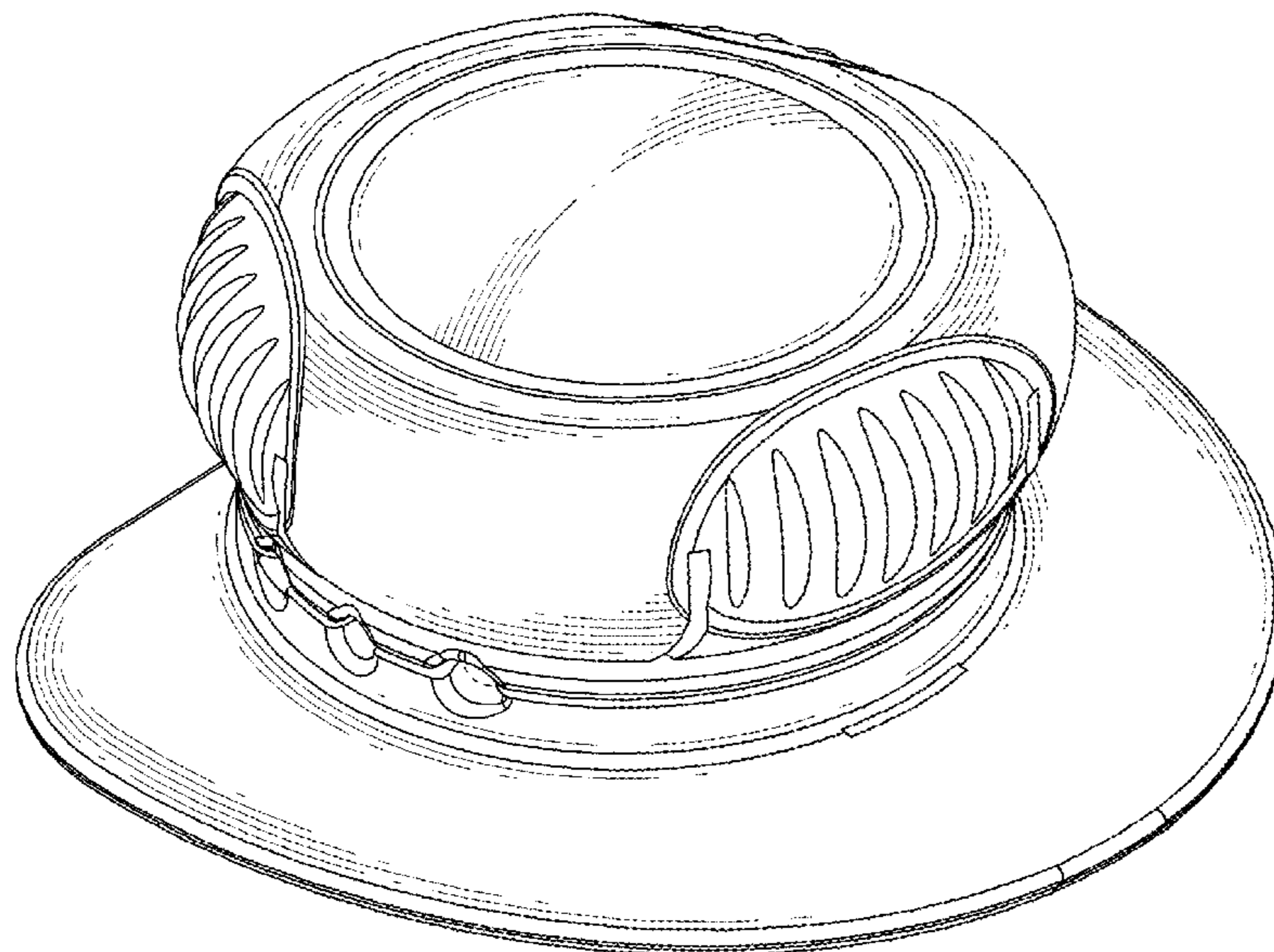
(57) **CLAIM**

The ornamental design for a string fastener, as shown and described.

DESCRIPTION

FIG. 1 is a perspective view of a string fastener showing our new design;
FIG. 2 is a front view thereof;
FIG. 3 is a rear view thereof;
FIG. 4 is a left side view thereof;
FIG. 5 is a right side view thereof;
FIG. 6 is a top view thereof;
FIG. 7 is a bottom view thereof; and,
FIG. 8 is an enlarged view of the portion 8 of FIG. 2.
The broken lines in the drawings illustrate portions of the string fastener and form no part of the claimed design.

1 Claim, 8 Drawing Sheets



(56)

References Cited

U.S. PATENT DOCUMENTS

2019/0150569 A1* 5/2019 Chen A43C 11/165
2019/0313740 A1* 10/2019 Workman A43B 23/227
2019/0320763 A1* 10/2019 Jiang B65H 75/4431
2019/0343235 A1* 11/2019 So A44B 11/065
2020/0087104 A1* 3/2020 Wang A43C 11/165

* cited by examiner

FIG. 1

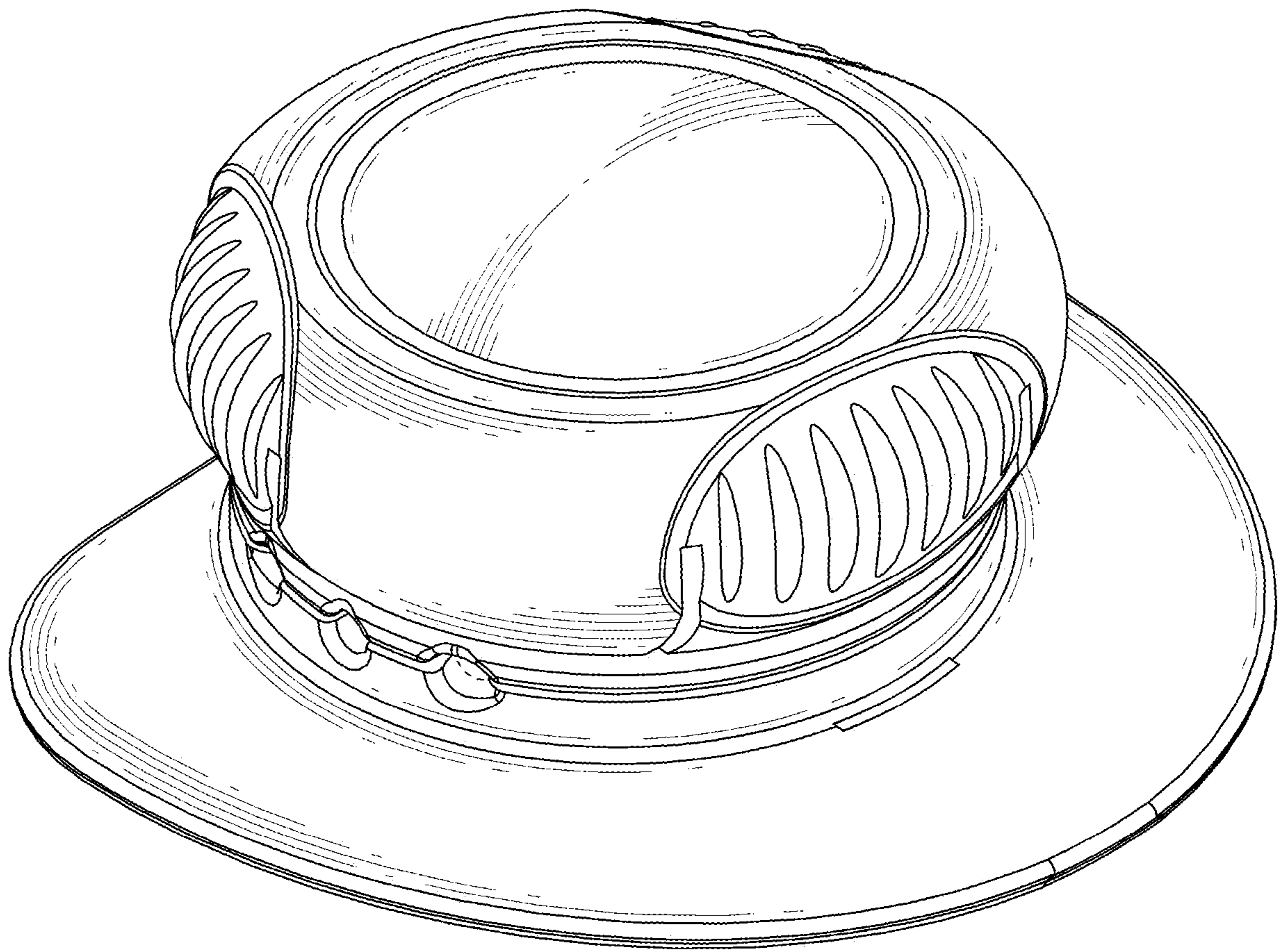


FIG. 2

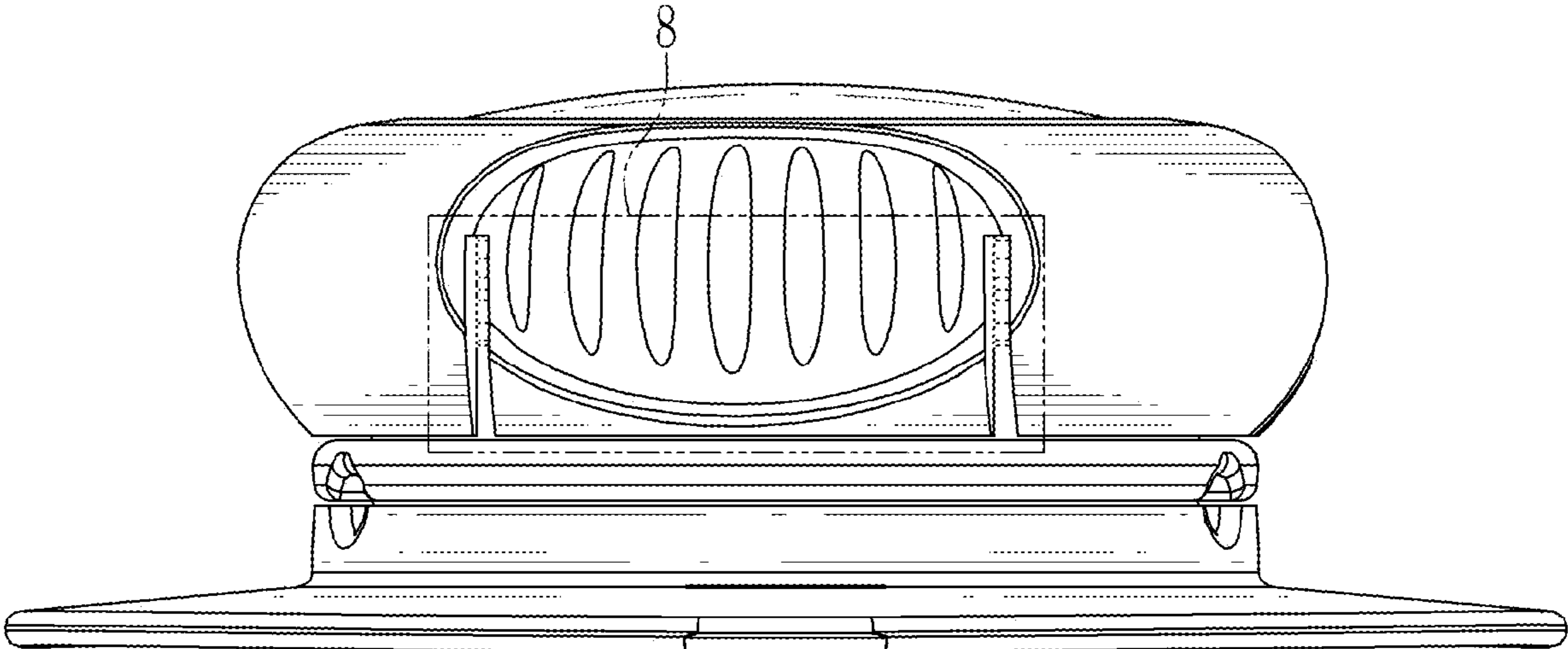


FIG. 3

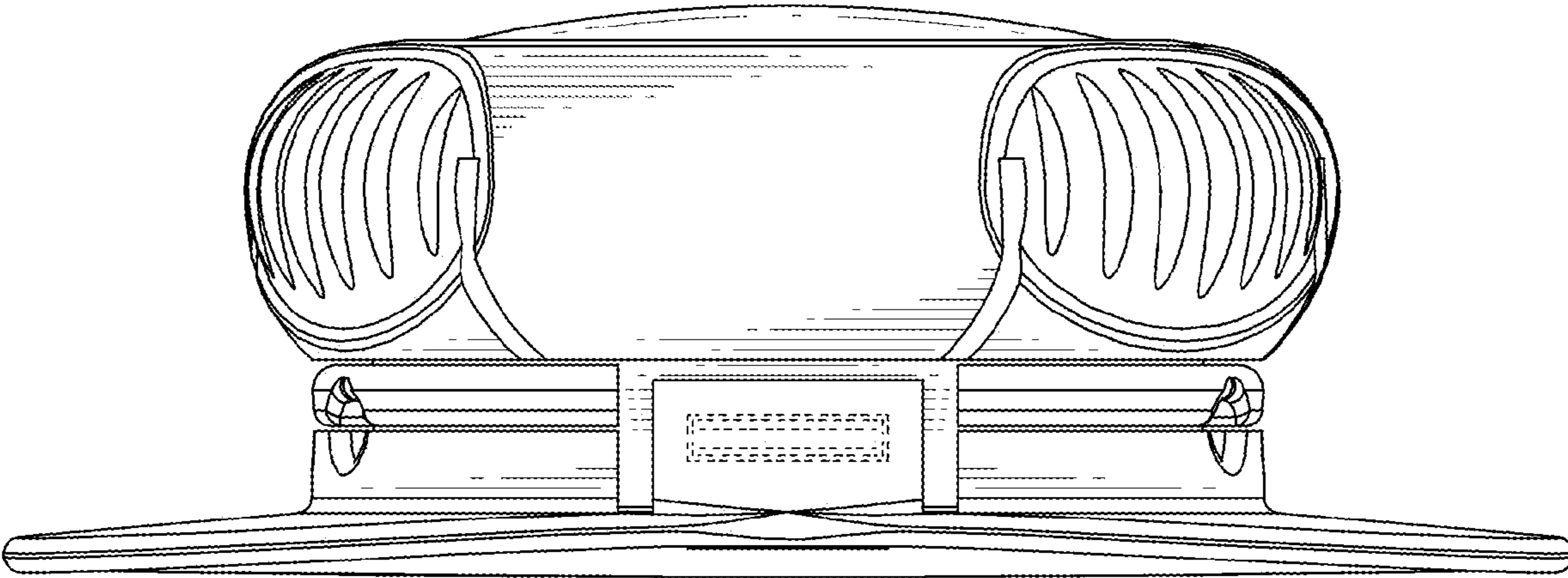


FIG. 4

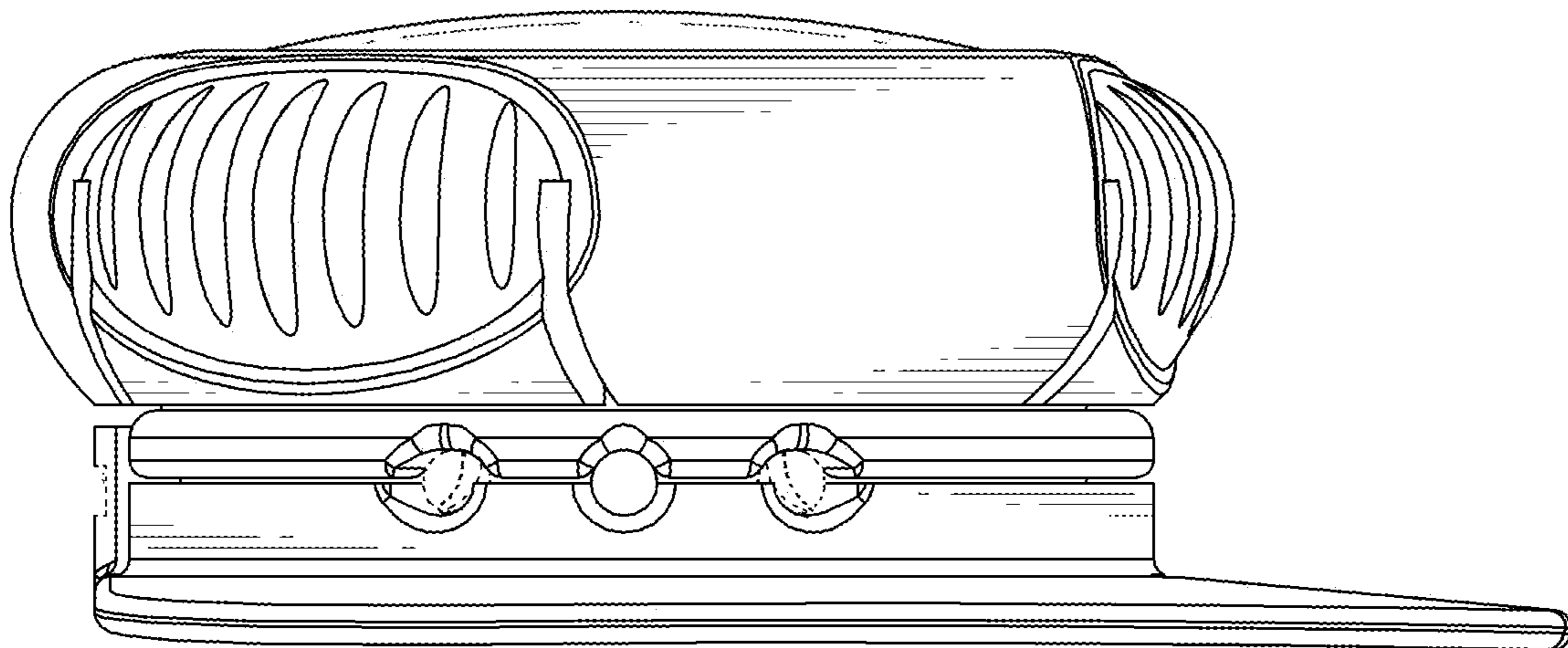


FIG. 5

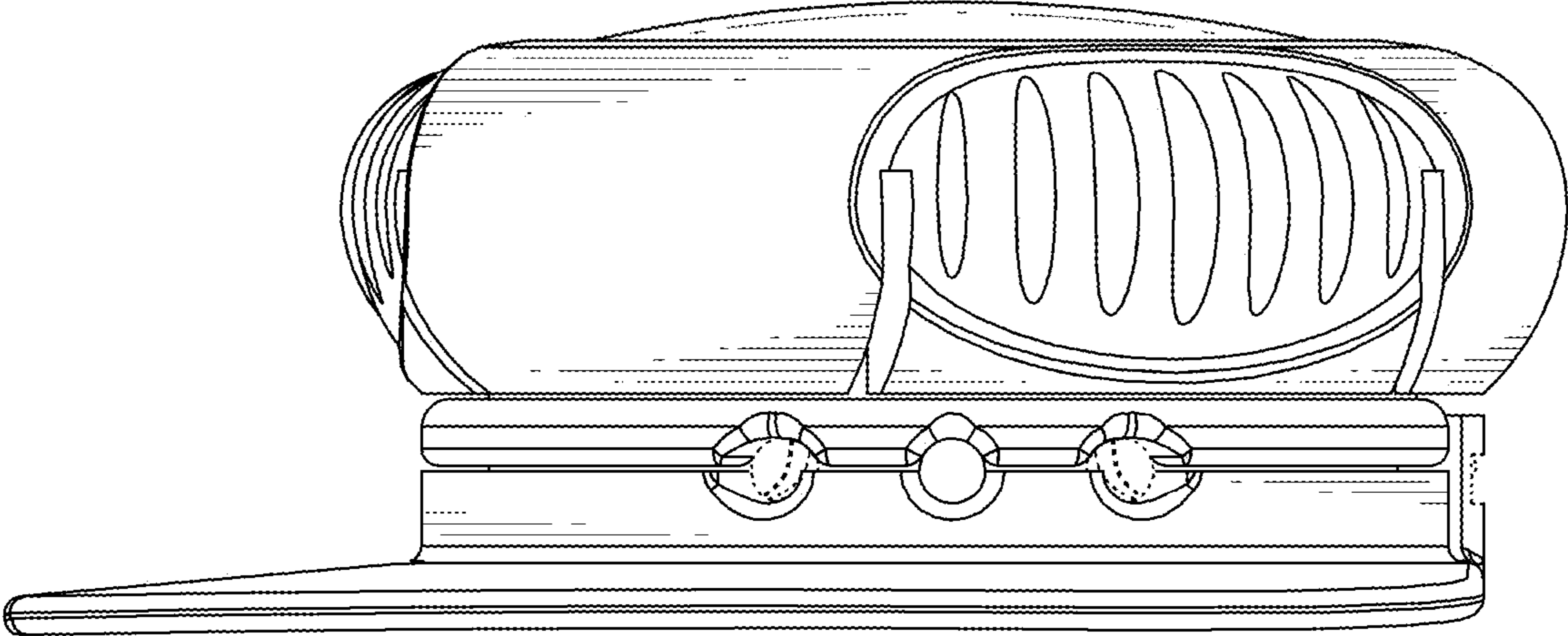


FIG. 6

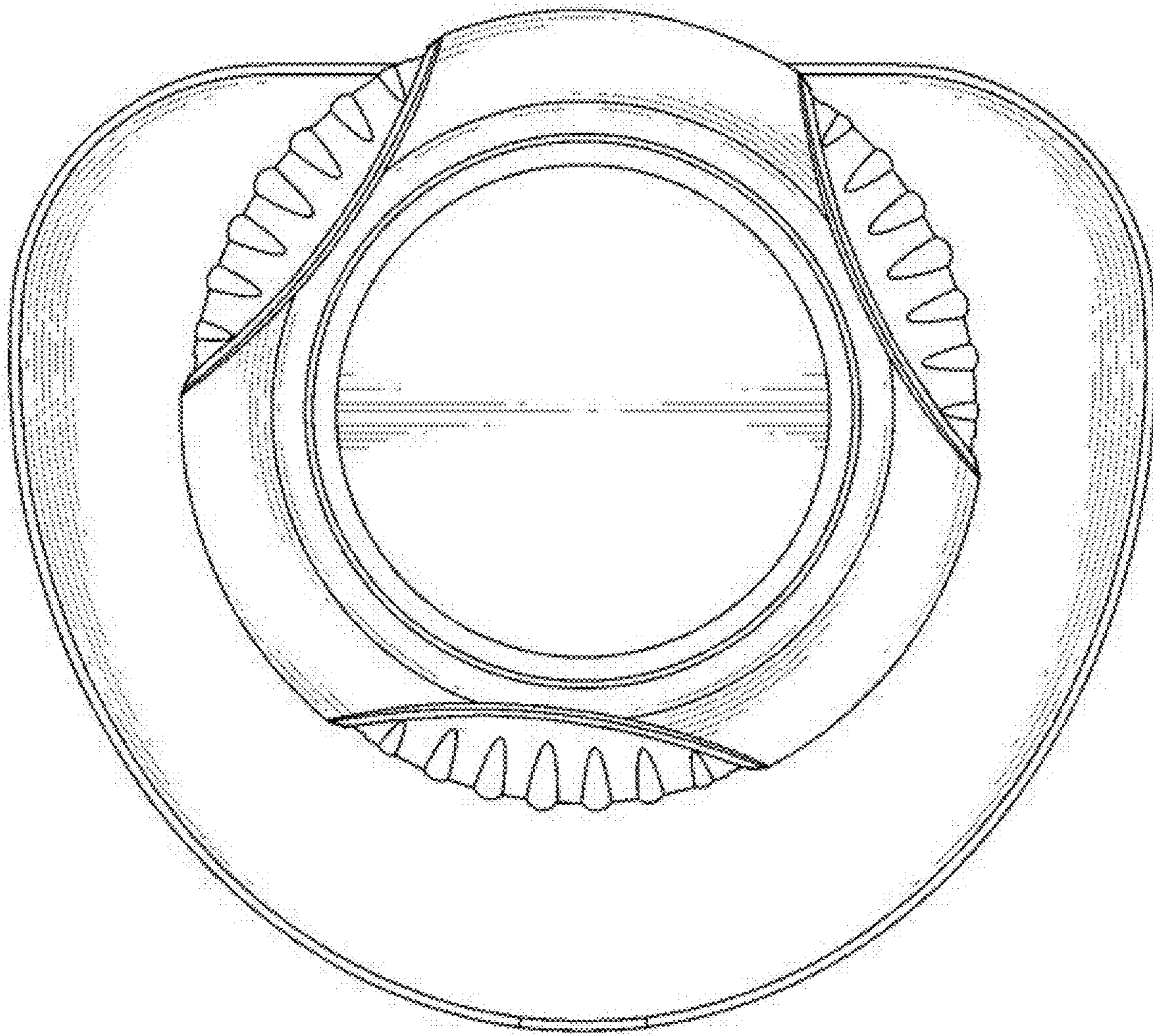


FIG. 7

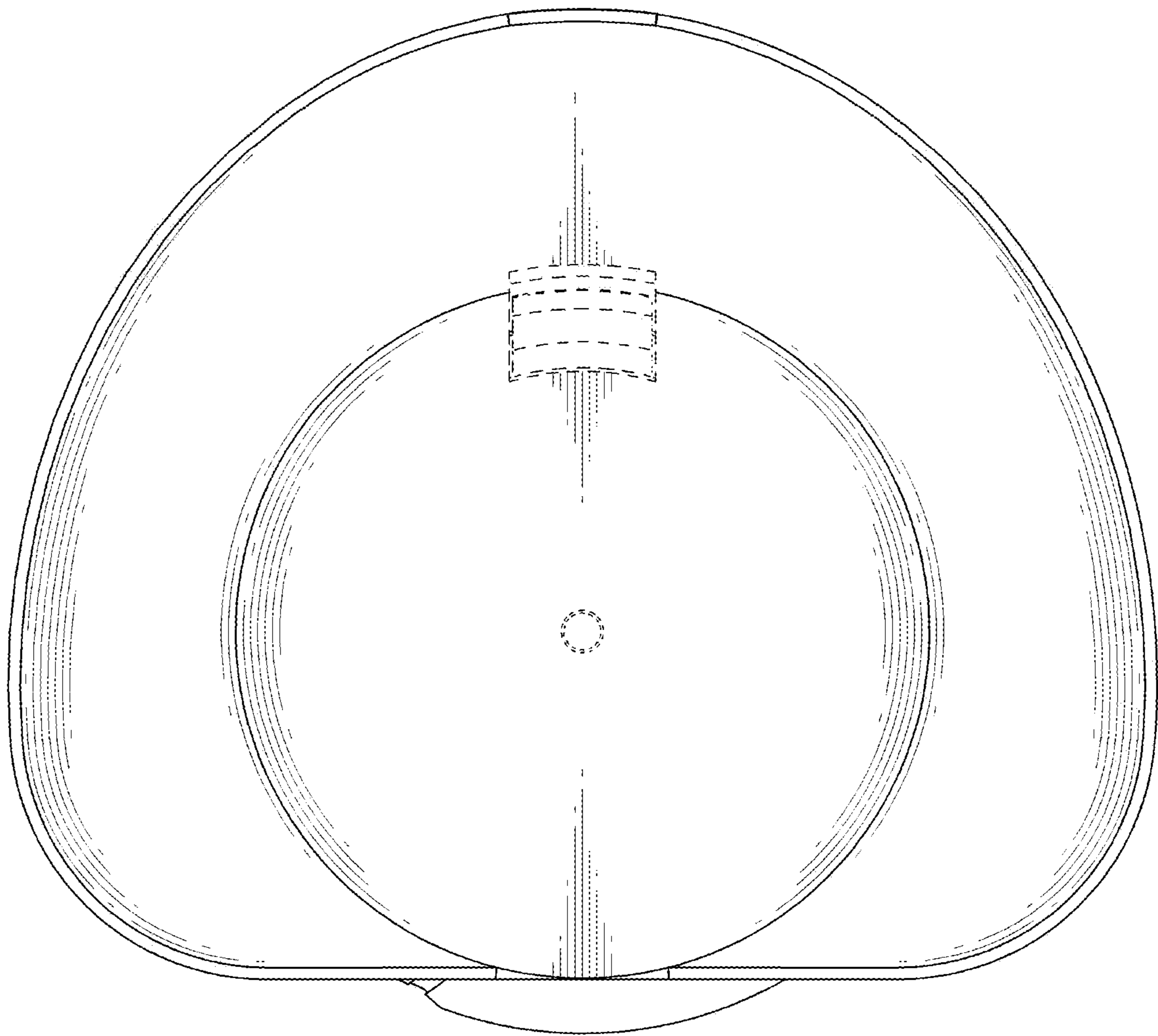


FIG. 8

