



US00D907991S

(12) **United States Design Patent** (10) **Patent No.:** **US D907,991 S**
Axelsson (45) **Date of Patent:** **** Jan. 19, 2021**

(54) **FASTENING DEVICE**

(71) Applicant: **MAFI AB**, Mora (SE)

(72) Inventor: **Andreas Axelsson**, Malung (SE)

(73) Assignee: **MAFI AB**, Mora (SE)

(**) Term: **15 Years**

(21) Appl. No.: **29/687,389**

(22) Filed: **Apr. 12, 2019**

(30) **Foreign Application Priority Data**

Oct. 16, 2018 (EM) 005799228

(51) **LOC (13) Cl.** **08-08**

(52) **U.S. Cl.**
USPC **D8/382**

(58) **Field of Classification Search**
USPC D8/349, 354, 355, 363, 373-377, 356,
D8/382; D11/200, 220, 231, 183;
D12/223, 114; D14/209, 224, 238
CPC .. A47F 5/00; A47H 1/10; A47G 29/00; A47G
29/08; A47B 97/00; A47K 3/14; H02J
7/0026; H02J 7/0021; H02J 7/0027;
Y02E 60/12; H01R 13/72; A61M 5/1418
See application file for complete search history.

(56) **References Cited**

U.S. PATENT DOCUMENTS

D347,162 S * 5/1994 Simonsen D8/375
D454,479 S * 3/2002 Kolpin D8/349
D460,400 S * 7/2002 Manthei D12/223
D553,957 S * 10/2007 Brassard D8/363
D558,561 S * 1/2008 Ciungan D14/452

D558,562 S * 1/2008 Ciungan D14/452
D558,563 S * 1/2008 Ciungan D14/452
D574,220 S * 8/2008 Svedberg D8/349
D593,848 S * 6/2009 Balemi D15/28
D593,849 S * 6/2009 Balemi D15/28
D710,754 S * 8/2014 Pier D12/51
D772,847 S * 11/2016 Manton D14/224
D777,150 S * 1/2017 Manton D14/224
D781,824 S * 3/2017 Mottert D14/238
D813,850 S * 3/2018 Young, III D14/224
D821,365 S * 6/2018 Gheysens D14/224
10,034,546 B2 * 7/2018 Vastnnans A47B 97/00
D874,902 S * 2/2020 Prince D8/349
D878,184 S * 3/2020 Holloway D8/354
D879,589 S * 3/2020 Pratt D8/354
D881,167 S * 4/2020 Jiao D14/224
D888,026 S * 6/2020 Fisher D14/238
D889,935 S * 7/2020 Prince D8/349
D892,810 S * 8/2020 Siminoff D14/452

* cited by examiner

Primary Examiner — Mark A Goodwin

Assistant Examiner — Benjamin M Weeks

(74) *Attorney, Agent, or Firm* — Nixon & Vanderhye P.C.

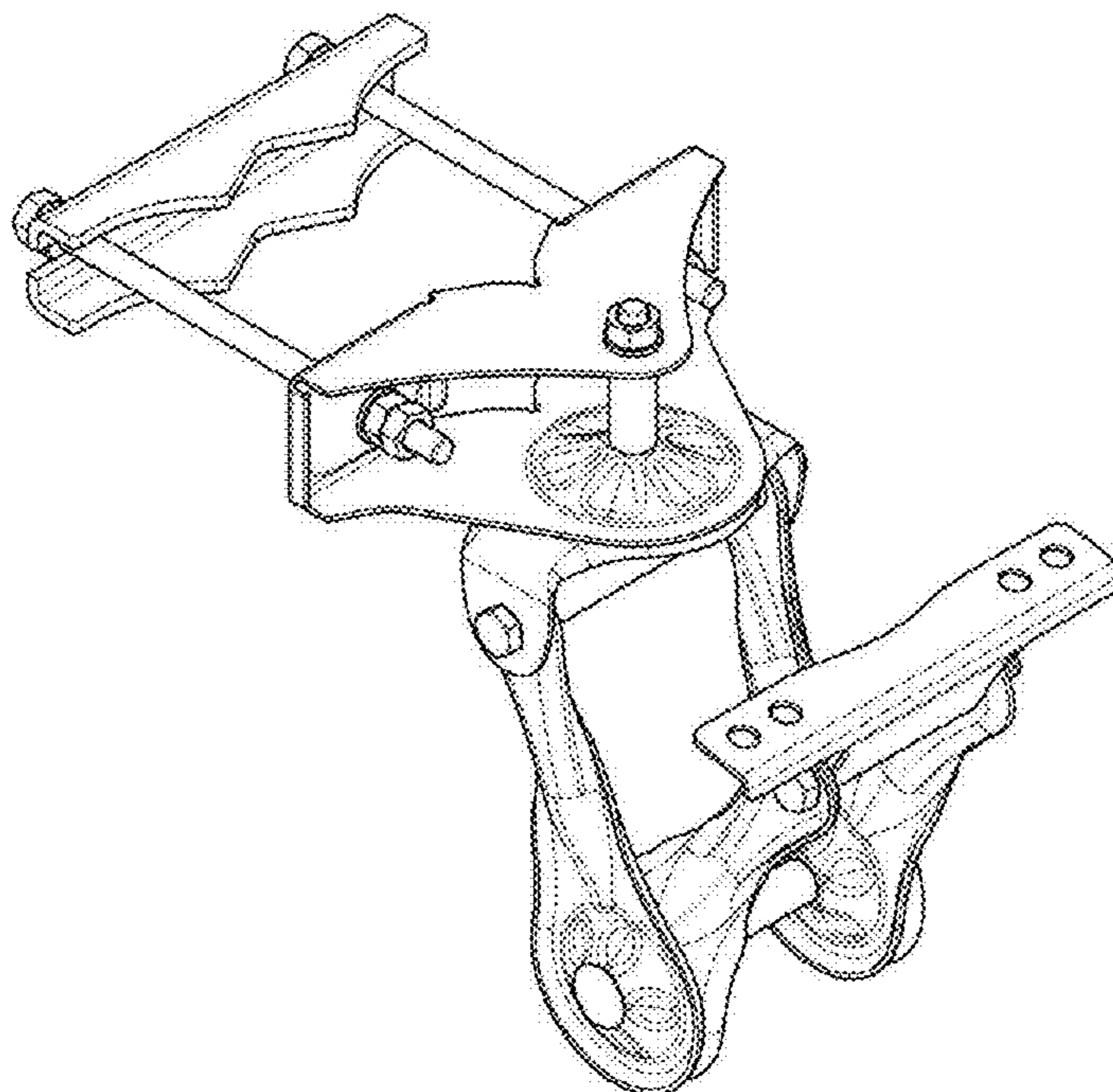
(57) **CLAIM**

The ornamental design for a fastening device, as shown and described.

DESCRIPTION

FIG. 1 is a perspective view of a fastening device;
FIG. 2 is a front view thereof;
FIG. 3 is a back view thereof;
FIG. 4 is a top view thereof;
FIG. 5 is a bottom view thereof;
FIG. 6 is a right side view thereof; and,
FIG. 7 is a left side view thereof.

1 Claim, 7 Drawing Sheets



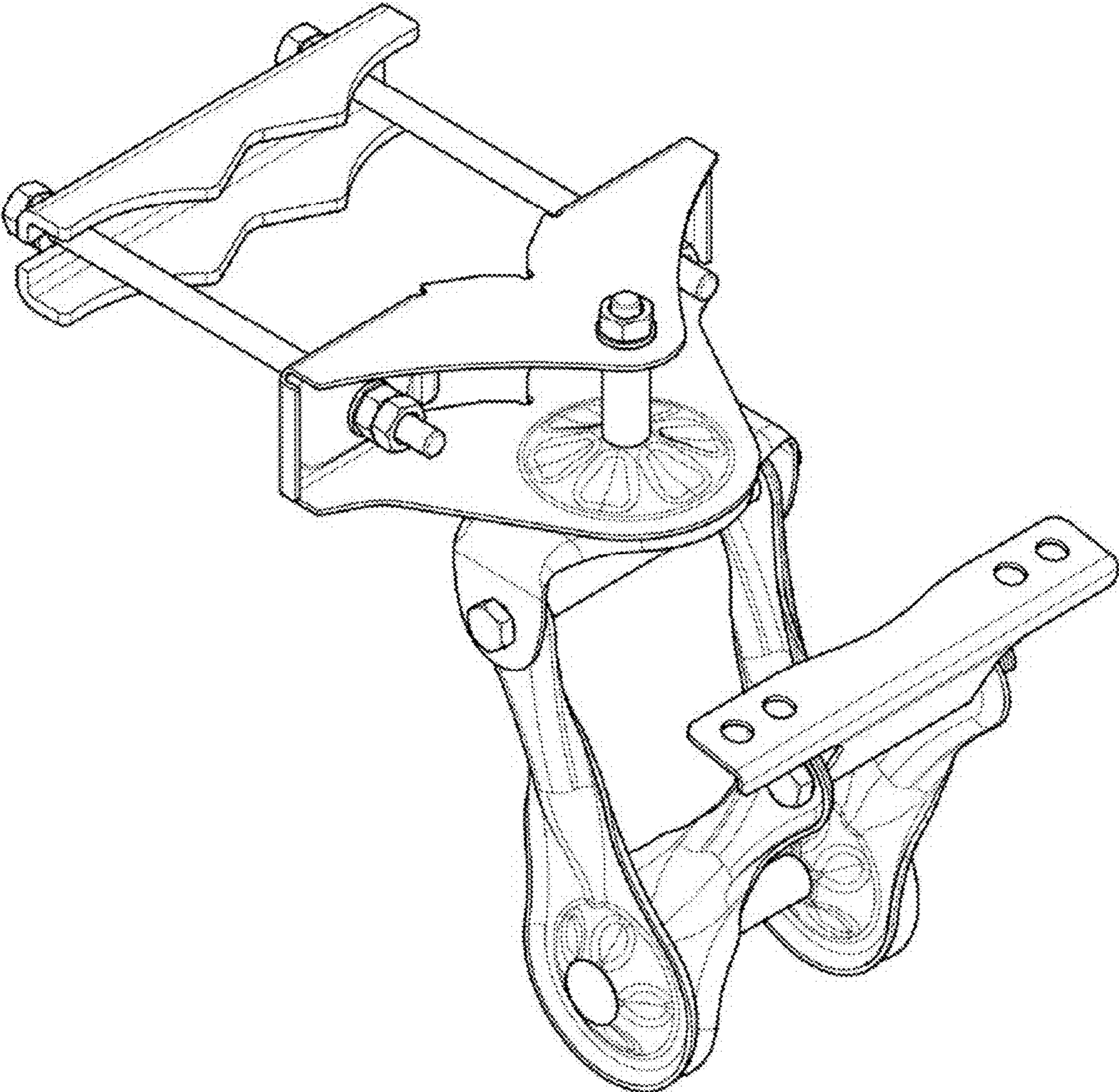


FIG. 1

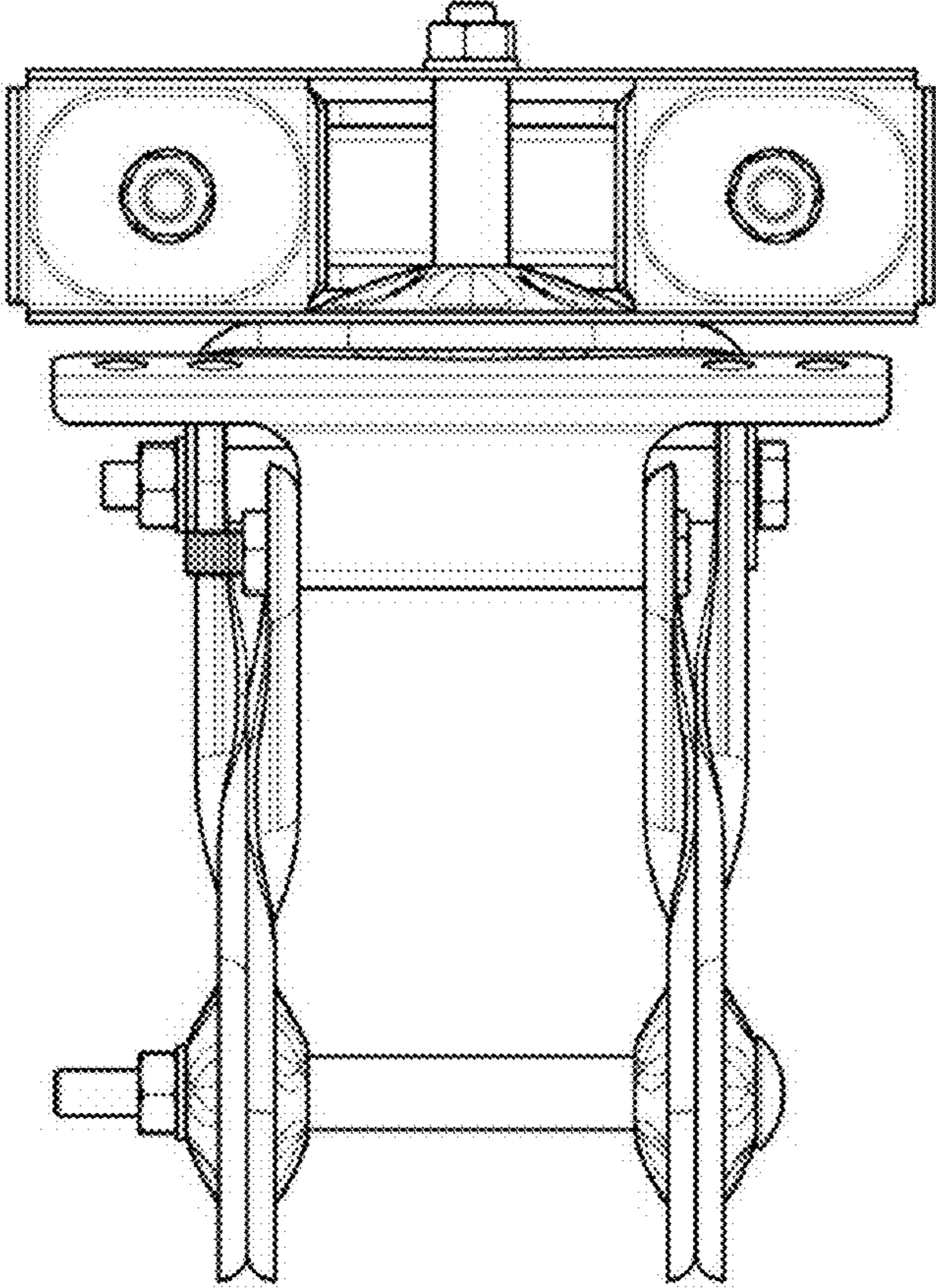


FIG. 2

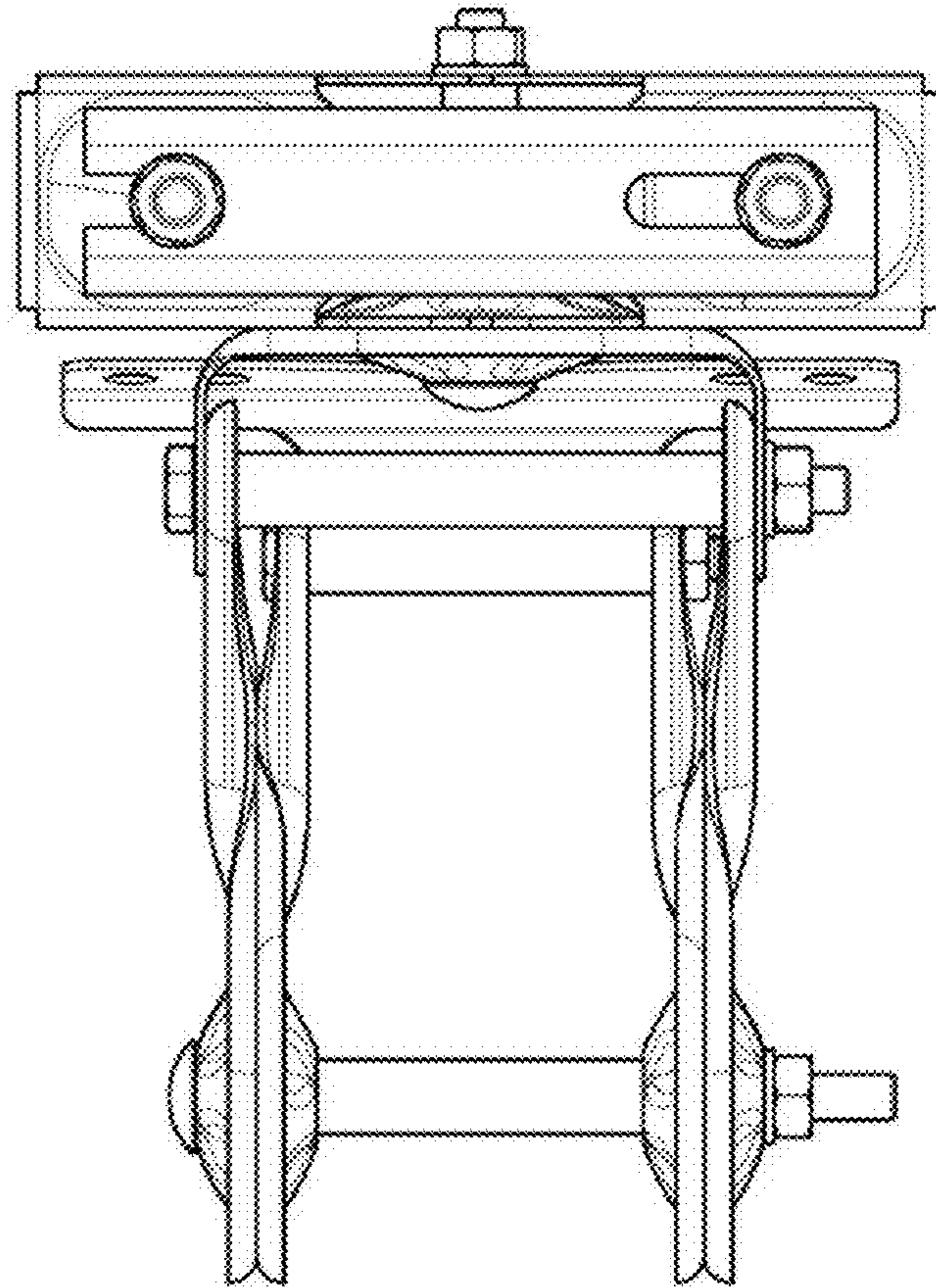


FIG. 3

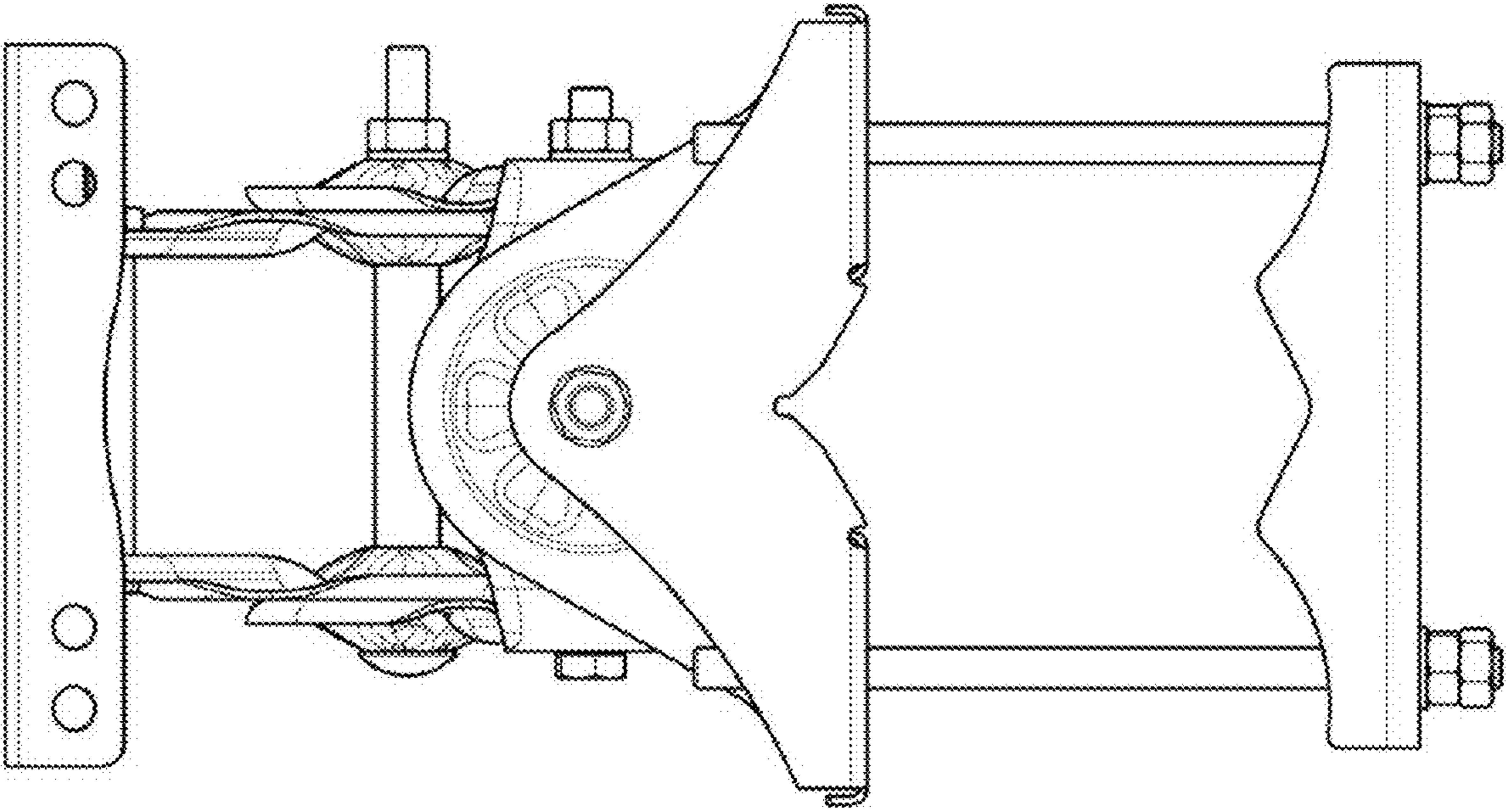


FIG. 4

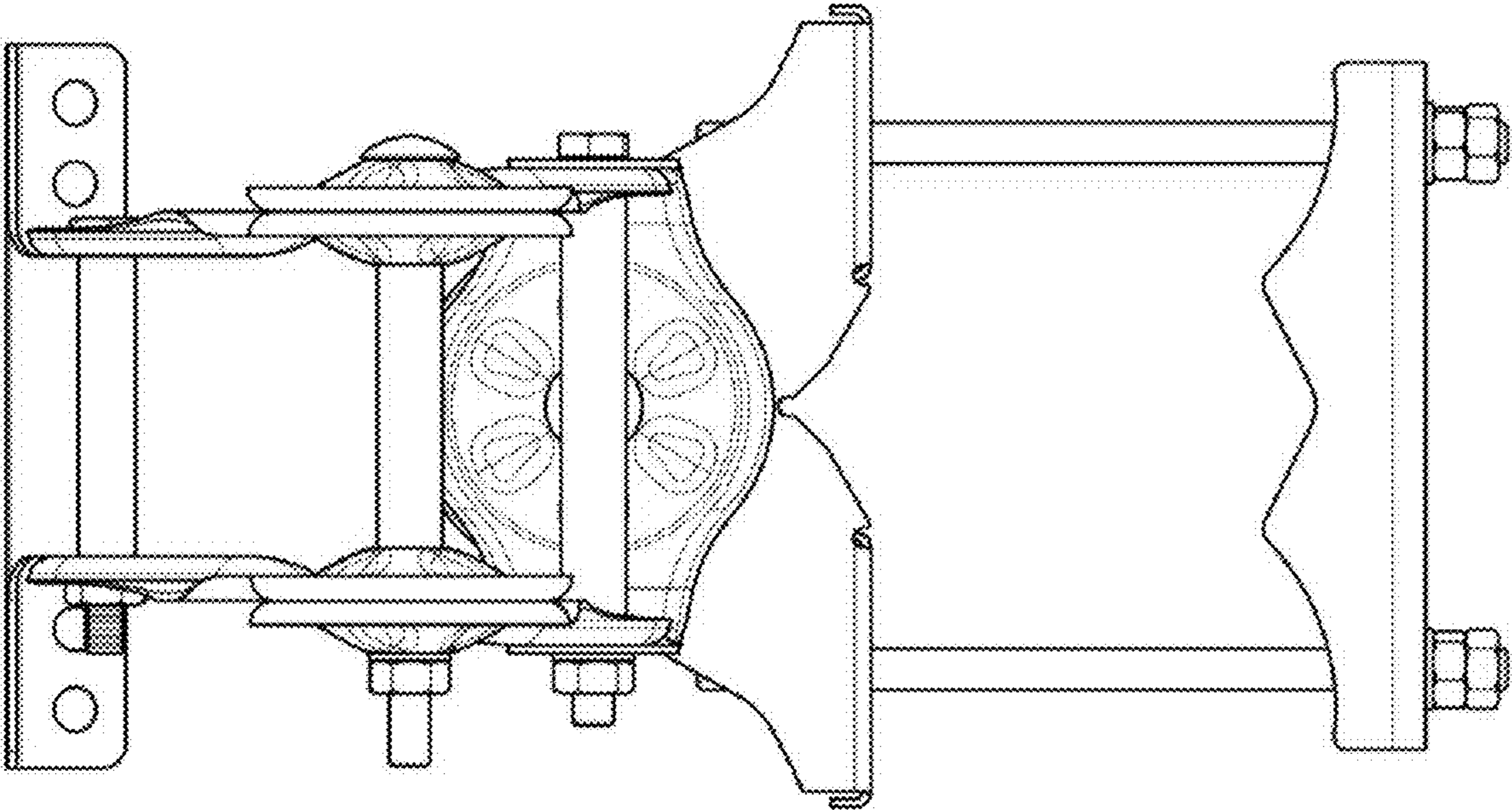


FIG. 5

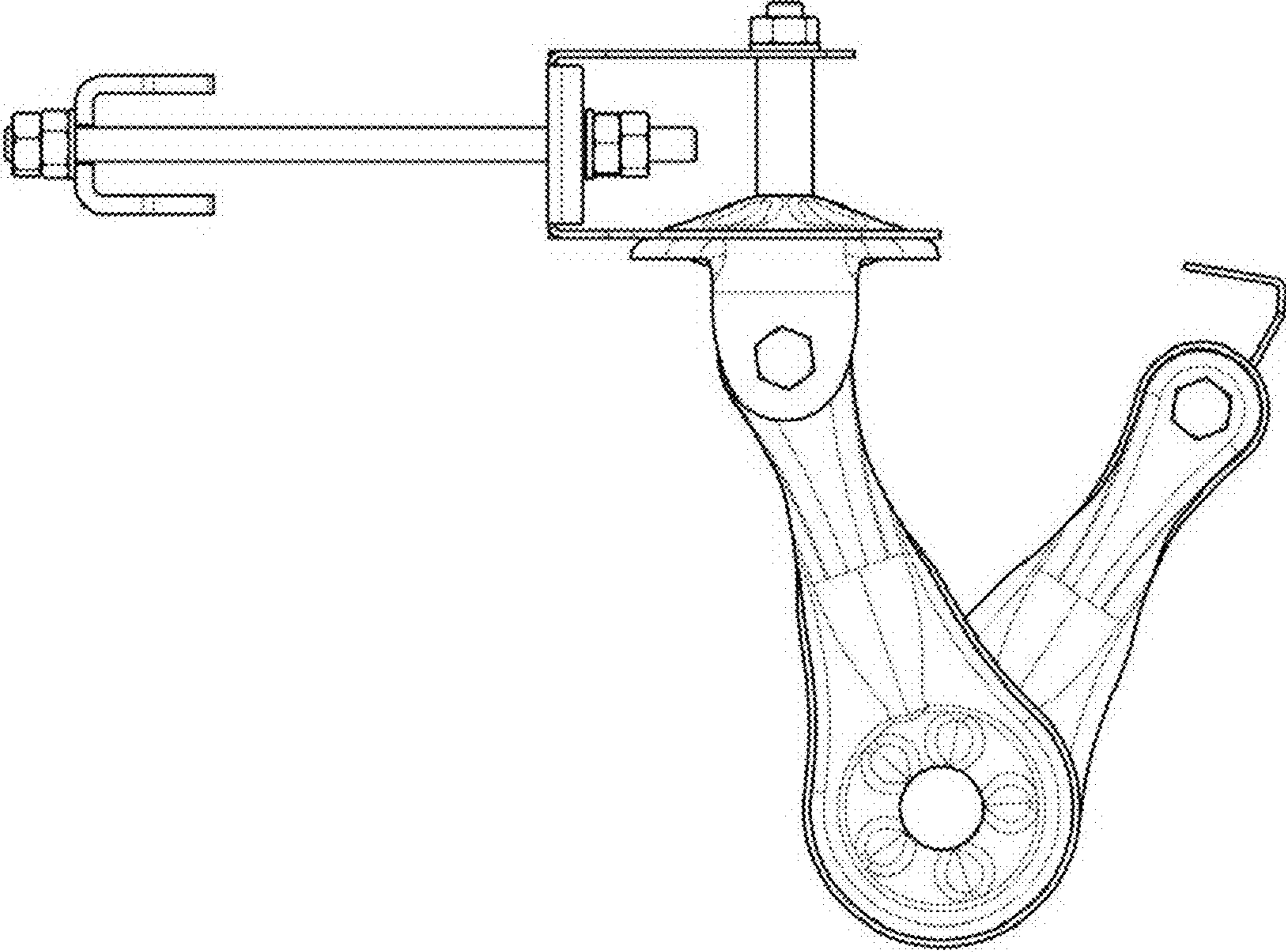


FIG. 6

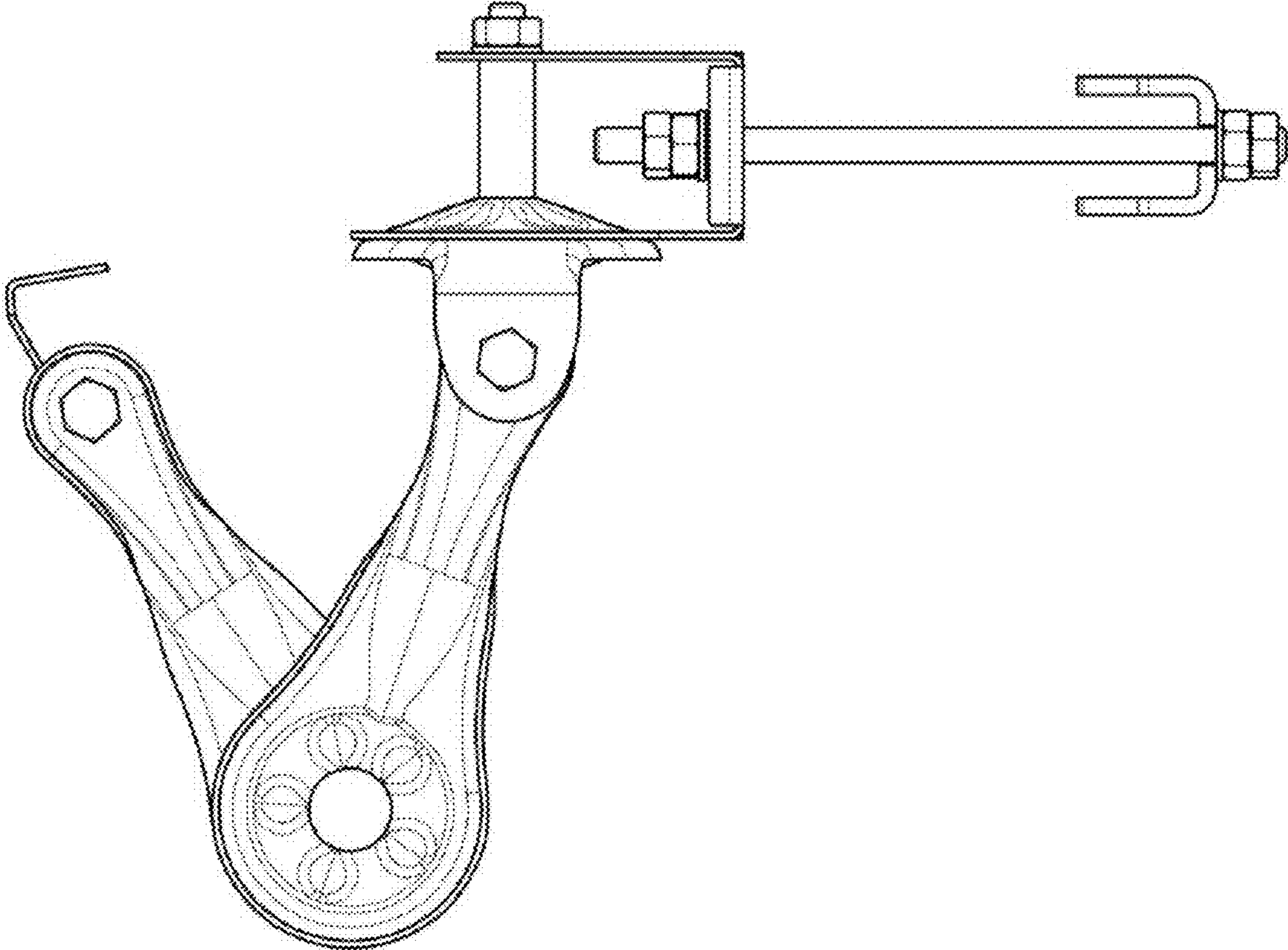


FIG. 7