



US00D907989S

(12) **United States Design Patent**  
**Wang**

(10) **Patent No.:** **US D907,989 S**

(45) **Date of Patent:** **\*\* Jan. 19, 2021**

(54) **HOSE REEL**

(71) Applicant: **Lang Wang**, Yulin (CN)

(72) Inventor: **Lang Wang**, Yulin (CN)

(\*\*) Term: **15 Years**

(21) Appl. No.: **29/627,485**

(22) Filed: **Nov. 28, 2017**

(51) **LOC (13) Cl.** ..... **08-05**

(52) **U.S. Cl.**  
USPC ..... **D8/358**

(58) **Field of Classification Search**

USPC ..... D08/373, 358, 359, 354, 71, 330, 336,  
D08/351, 356, 360.1, 363, 364, 367, 370,  
D08/372, 379, 381, 382, 395, 396;  
D06/349, 352; D09/426, 502, 750;  
D10/72, 73, 89; D11/79, 93; D13/103,  
D13/107; D19/67; D21/673, 674, 675,  
D21/839, 840; D25/19, 62, 68, 69;  
D26/40, 49; D29/122, 124; D30/153,  
D30/155

CPC ..... B65H 75/40; B65H 75/4407; B65H  
75/4471; B65H 2701/34; B65H 2701/32;  
B65H 2511/142; B65H 29/008; B65H  
2701/33; B65H 54/585; B65H 51/22;  
B65H 75/08; B65H 75/02; B65H  
2301/41485; B65H 75/4468; B65H  
2301/414323; B65H 2301/414325; B65H  
16/02; B65H 2301/4131; B65H 75/403;  
B65H 75/441; B65D 85/66; B65D 85/67;  
B66D 3/006; B66D 3/18; B66D 3/26;  
B66D 3/02; B66D 3/14; B63B 21/18;  
B63B 21/26; B65B 57/005; A61G  
7/1051; A61G 7/1061; B66B 11/08;  
A62C 33/04; B08B 2203/0276; B21C  
47/28; H02G 11/02; A01K 89/003; H04M  
1/15; A01D 34/822; A47L 9/26; H04R  
1/1033; E05C 19/10; E05C 17/50; E05C  
3/045; E05C 3/30; E05C 19/02; E05C  
19/026; A47G 25/0614; A47G 25/18;  
A47G 25/32; A47G 7/047; A47G 7/045;

A47G 7/042; A47G 7/044; F16B 12/44;  
F16B 12/46; F16B 5/0614; F16B 12/02;  
E04B 1/2612; E04B 2001/2415; E04B  
1/5818; E04B 1/5831; A47B 88/0055;  
E04F 11/1812; F16L 1/0246; A01G  
31/001;

(Continued)

(56)

**References Cited**

U.S. PATENT DOCUMENTS

D393,515 S \* 4/1998 Pettersson ..... D34/33  
D587,410 S \* 2/2009 Wolner ..... D29/124

(Continued)

OTHER PUBLICATIONS

Flexzilla Retractable Enclosed Plastic Air Hose Reel, 3/8 in. x50 ft,  
Heavy Duty, Lightweight, Hybrid, ZillaGreen—L8250FZ, posted  
Jun. 25, 2012, [retrieved Jan. 21, 2019]. Retrieved from Internet,  
<URL: <https://www.amazon.com/Flexzilla-Retractable-Enclosed-Lightweight-ZillaGreen/dp/B007QV1RLM> >.\*

(Continued)

*Primary Examiner* — Eric L Goodman

*Assistant Examiner* — Kristin E Reed

(57)

**CLAIM**

The ornamental design for a hose reel, as shown and described.

**DESCRIPTION**

FIG. 1 is a perspective view of a hose reel showing my new design;

FIG. 2 is a front elevational view thereof;

FIG. 3 is a rear elevational view thereof;

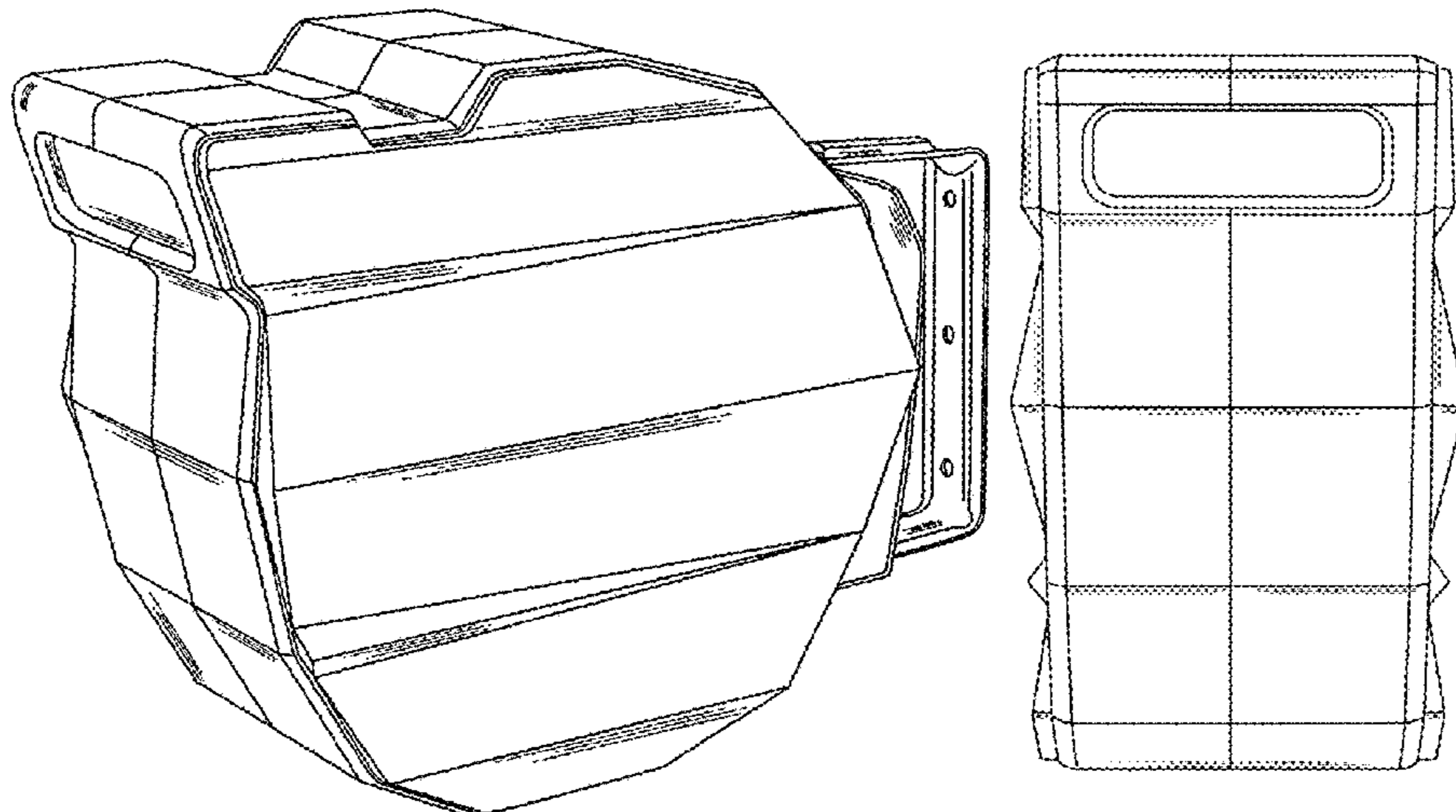
FIG. 4 is a left side elevational view thereof;

FIG. 5 is a right side elevational view thereof;

FIG. 6 is a top plan view thereof; and,

FIG. 7 is a bottom plan view thereof.

**1 Claim, 7 Drawing Sheets**



(58) **Field of Classification Search**

CPC . A01G 9/02; A01G 9/083; A01G 9/12; A01G 9/024; A01G 25/14; A01G 27/001; A01G 9/042; A01G 27/005; Y10S 24/909; Y10T 137/6929; Y10T 137/6954; Y10T 403/32975

See application file for complete search history.

(56) **References Cited**

U.S. PATENT DOCUMENTS

D624,020	S	*	9/2010	Kovacik	.....	D13/137.4
D666,475	S	*	9/2012	Gaiti	.....	D8/358
D716,676	S	*	11/2014	Tang	.....	D10/72
D733,597	S	*	7/2015	Hyma	.....	D10/72
D774,572	S	*	12/2016	Guzman	.....	D15/138
D788,611	S	*	6/2017	Anderson	.....	D10/72
D794,429	S	*	8/2017	Wang	.....	D8/359
D801,785	S	*	11/2017	Thuma	.....	D8/358
D813,017	S	*	3/2018	Wang	.....	D8/359
D814,237	S	*	4/2018	Wu	.....	D7/401.2

OTHER PUBLICATIONS

SereneLife Retractable Garden Hose with Mountable Auto Rewind Reel Box Housing & 7 Pattern Water Spray (SLWHR65), posted as early as Jun. 18, 2017, [retrieved Jan. 21, 2019]. Retrieved from Internet, <URL: <https://www.amazon.com/SereneLife-Retractable-Mountable-Housing-SLWHR65/dp/B071DT5J4G> >.\*

Good Quanlity [sic] Lightweight PU Tube Pipe Hosereel Retractable Air Hose Reels, posted unknown, [retrieved Jan. 21, 2019]. Retrieved from Internet, <URL: <https://gtelec.en.made-in-china.com/product/yjdxFfwUkpWD/China-Good-Quanlity-Lightweight-PU-Tube-Pipe-Hosereel-Retractable-Air-Hose-Reels.html> >.\*

Automatic Garden Hose Reel, German Designed to Really Last, posted as early as May 16, 2016, [retrieved Jan. 21, 2019]. Retrieved from Internet, <URL: <https://www.garrettwade.com/top-quality-automatic-garden-hose-reel.html> >.\*

\* cited by examiner

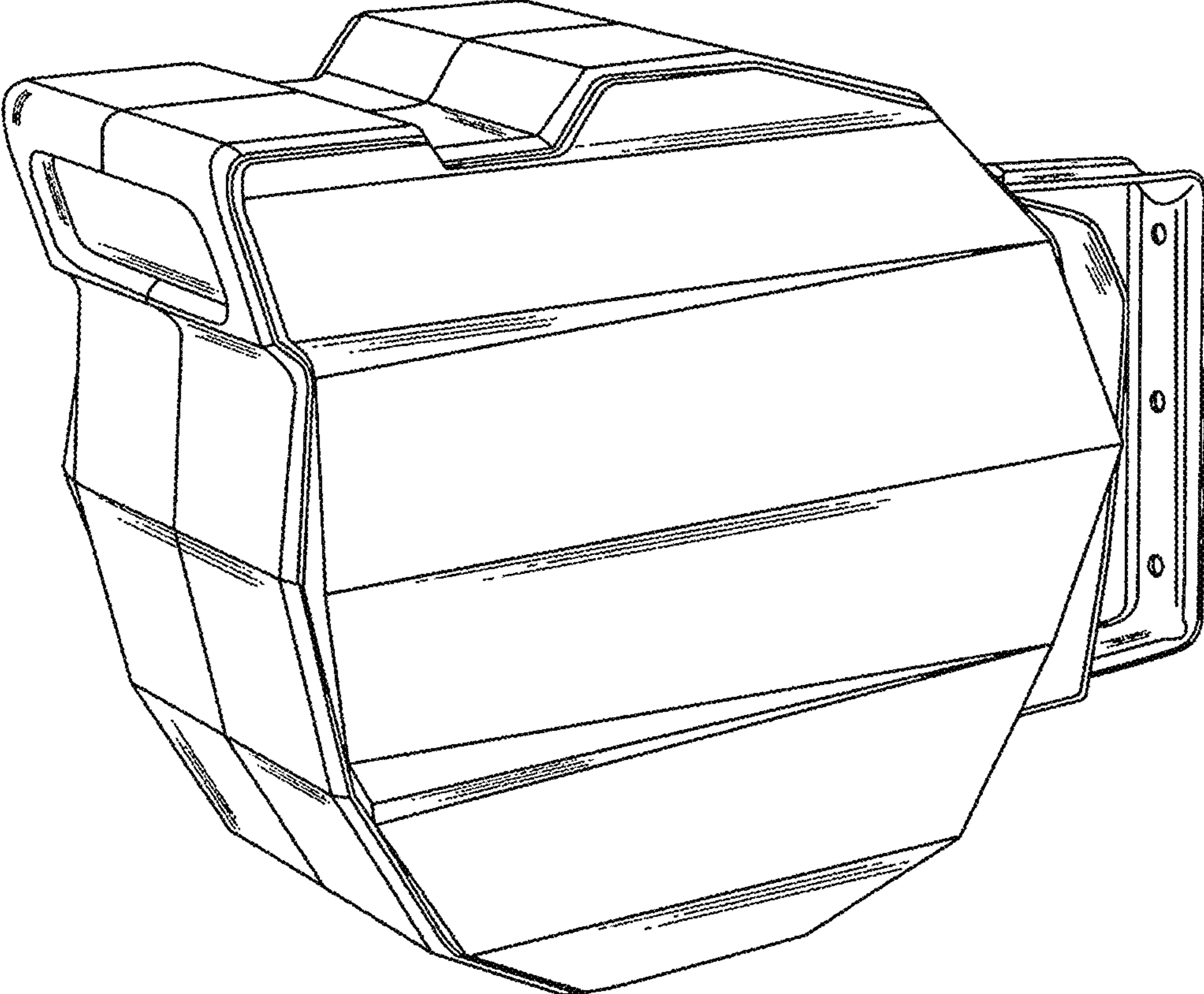


FIG.1



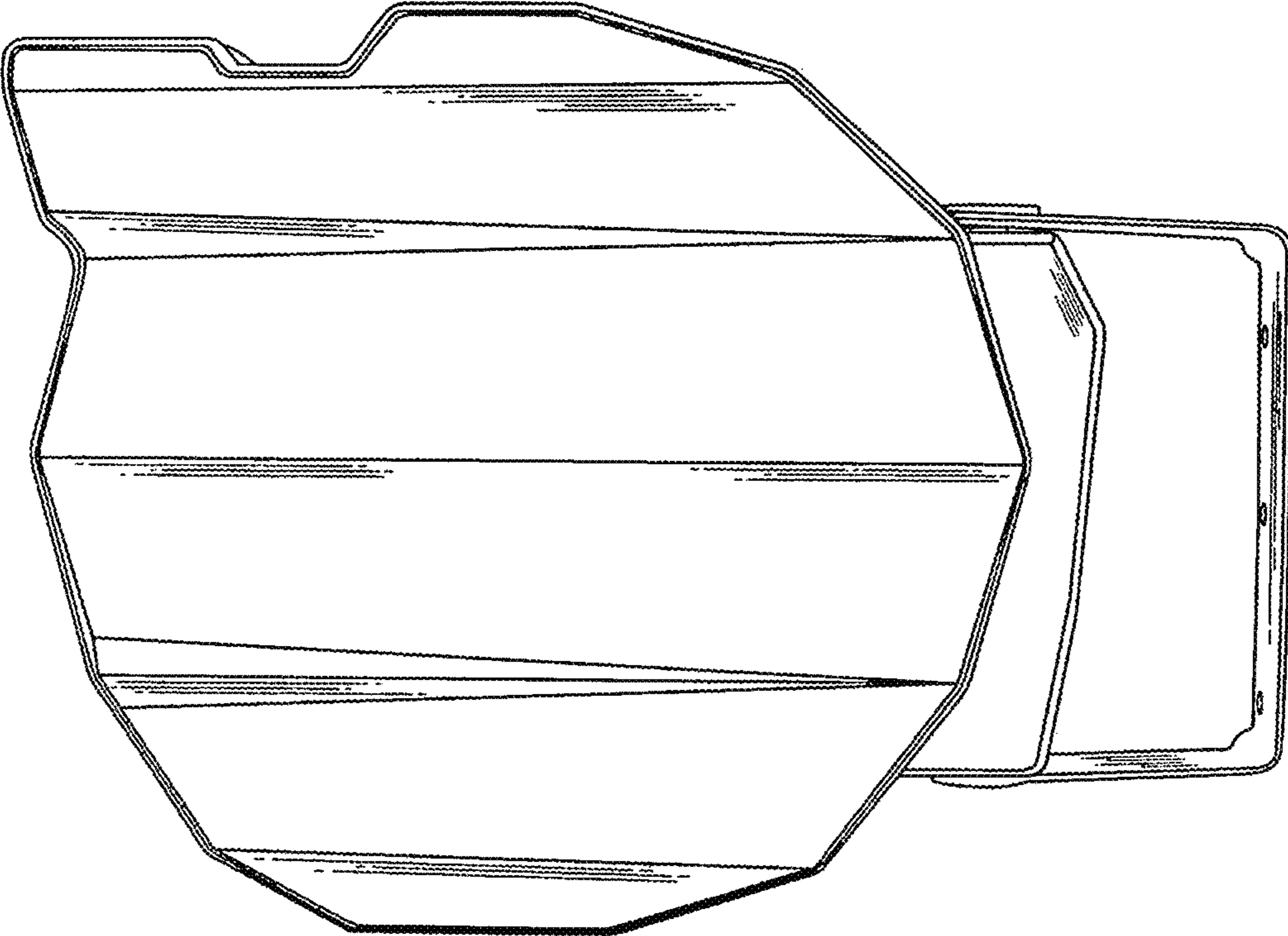


FIG.2

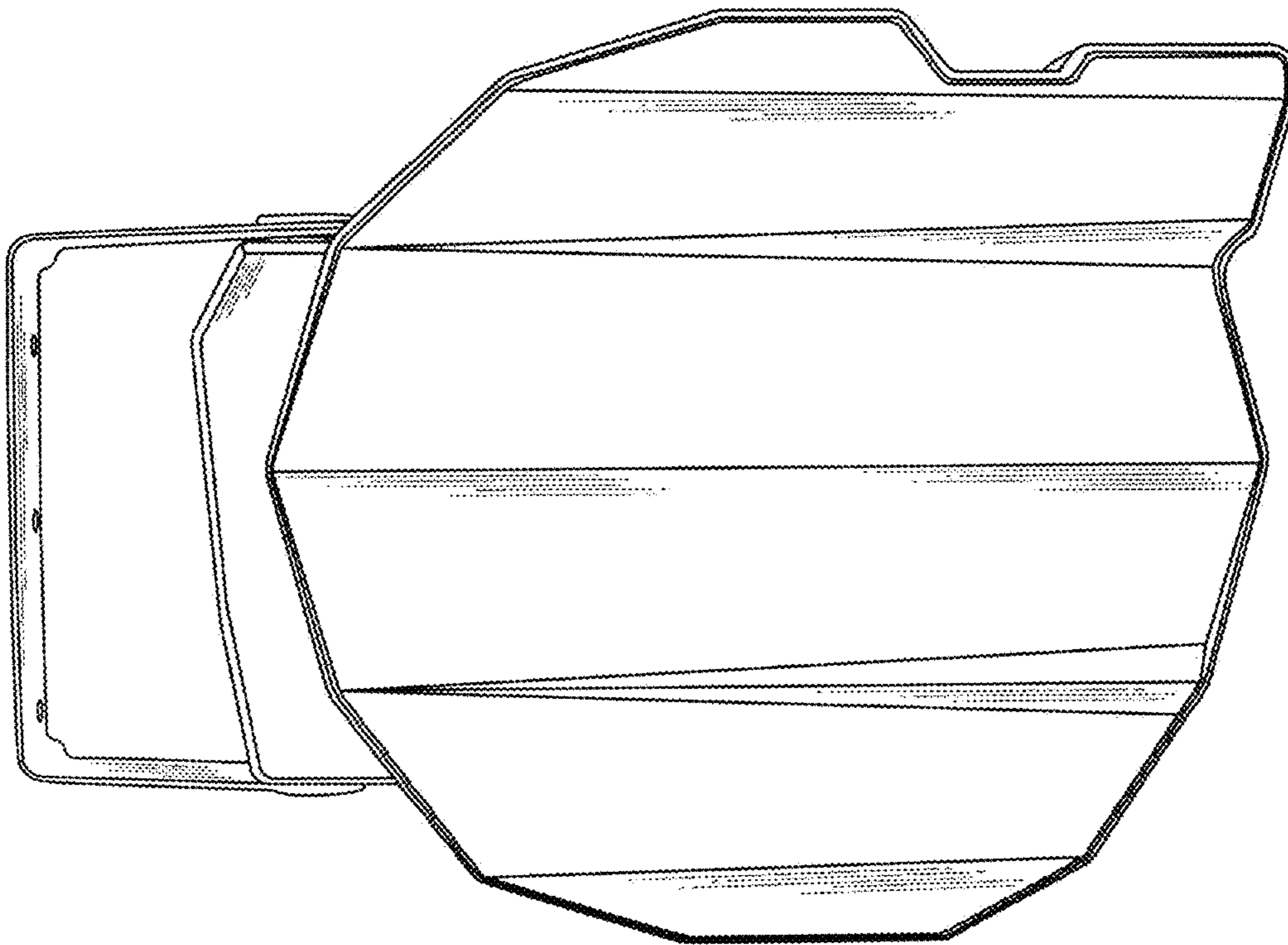


FIG.3

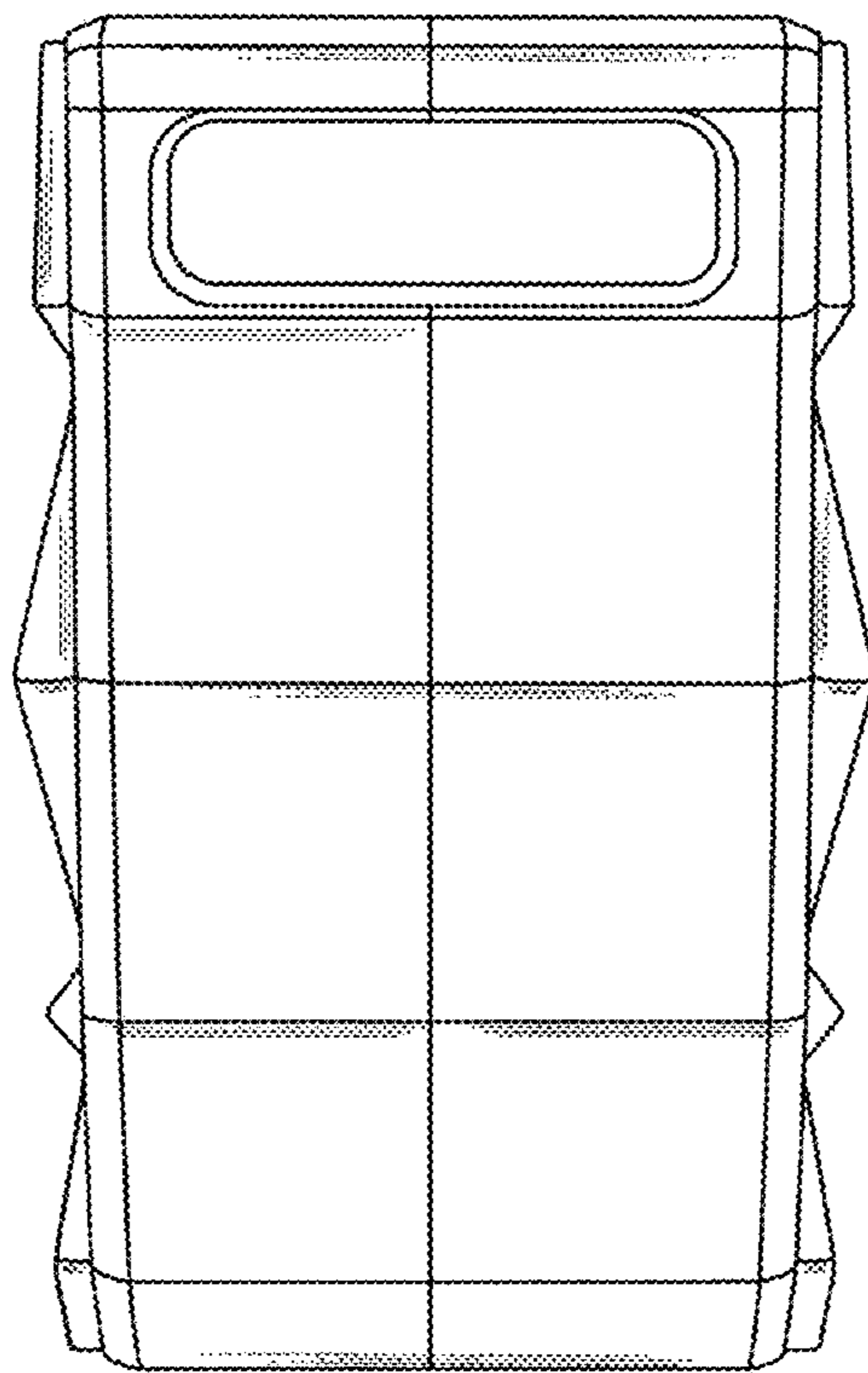


FIG.4

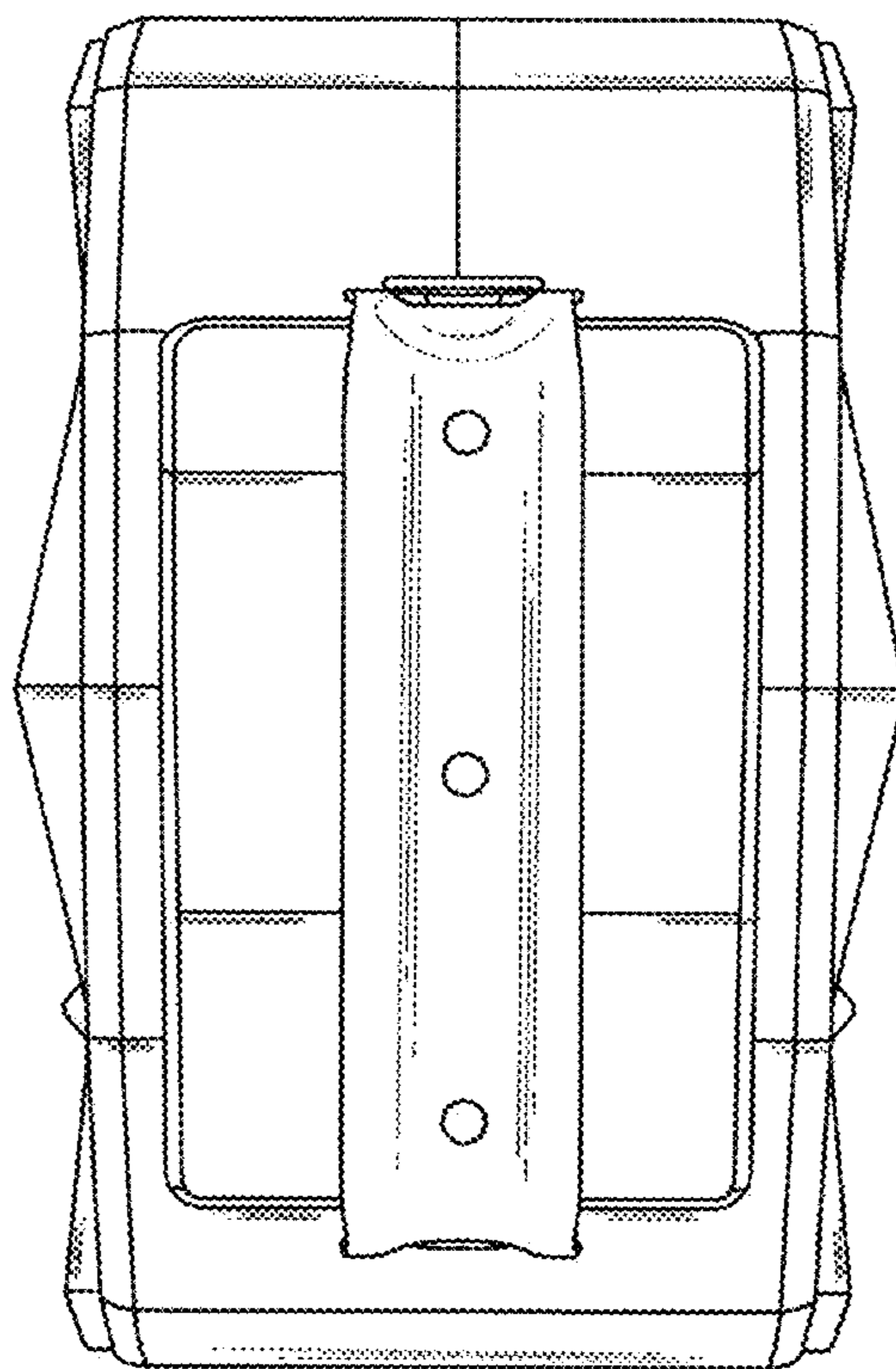


FIG.5

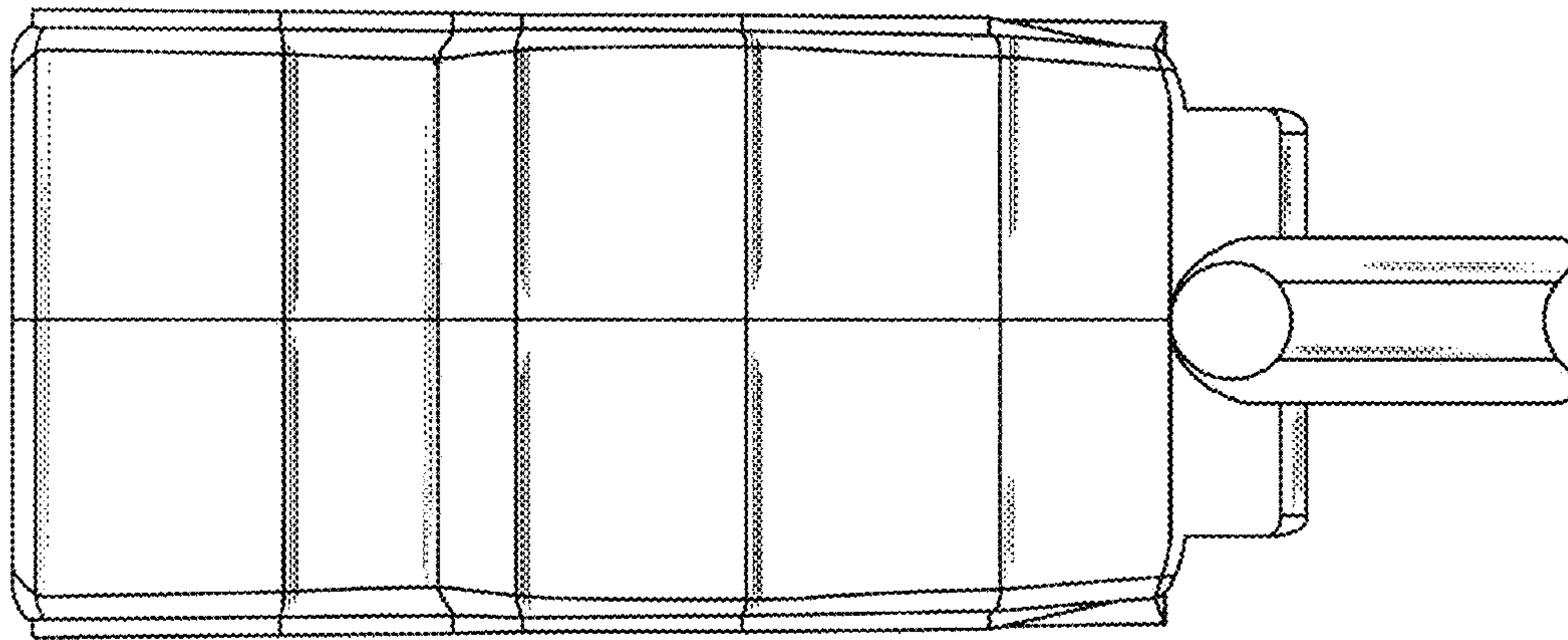


FIG. 6



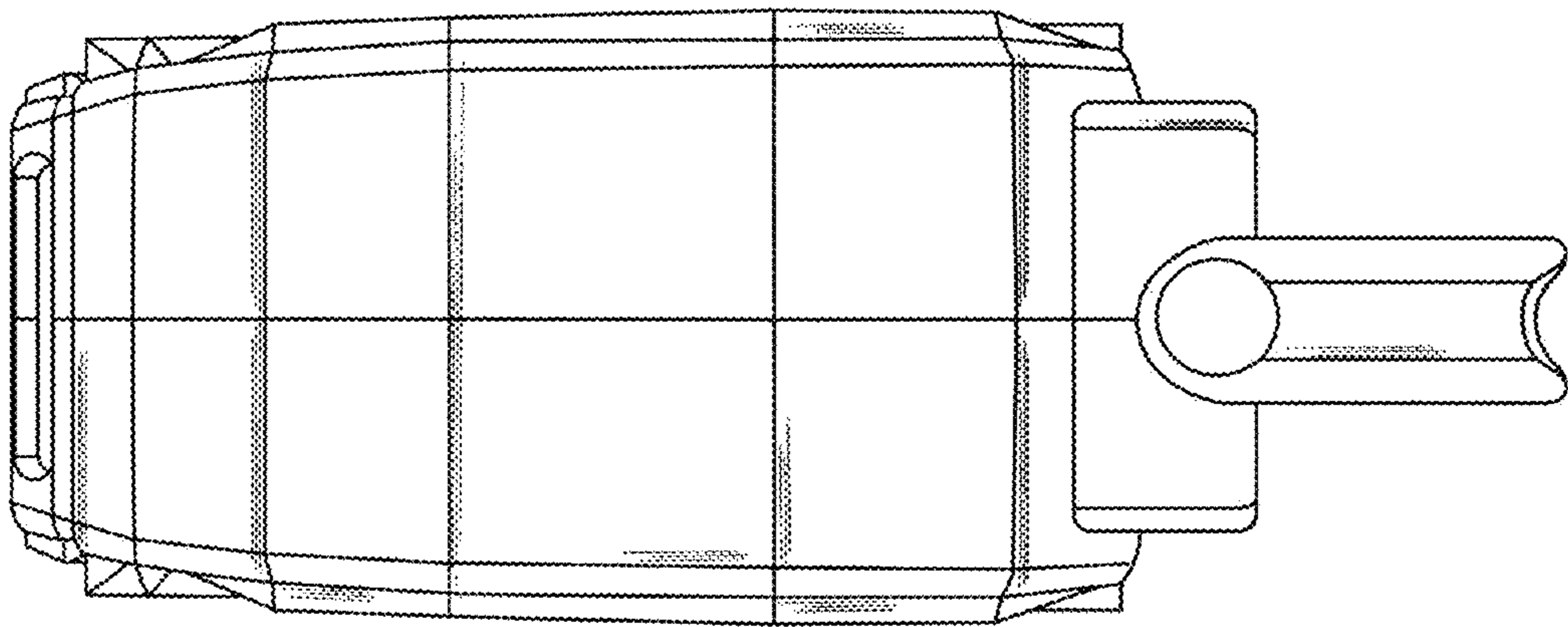


FIG. 7