



US00D907988S

(12) **United States Design Patent**
Yu

(10) **Patent No.:** **US D907,988 S**
(45) **Date of Patent:** **** Jan. 19, 2021**

(54) **CABLE CLIP**

(71) Applicant: **Yefeng Yu**, Chengguan Town (CN)

(72) Inventor: **Yefeng Yu**, Chengguan Town (CN)

(**) Term: **15 Years**

(21) Appl. No.: **29/728,255**

(22) Filed: **Mar. 17, 2020**

(51) **LOC (13) Cl.** **09-06**

(52) **U.S. Cl.**
USPC **D8/356**

(58) **Field of Classification Search**
USPC D8/356, 354, 349, 394; D13/155
CPC B63B 21/045; B63B 59/02; H02G 7/12
See application file for complete search history.

(56) **References Cited**

U.S. PATENT DOCUMENTS

- 2,294,855 A * 9/1942 Thomason E01F 1/00
248/544
- 2,396,836 A * 3/1946 Ellinwood F16L 3/2235
174/135
- 2,937,833 A * 5/1960 Sachs F16L 3/2235
248/49
- 3,546,364 A * 12/1970 O'Neel H01R 11/03
174/72 R
- 3,740,692 A * 6/1973 Filhaber H01R 4/38
439/523
- 4,099,626 A * 7/1978 Magnussen, Jr. A47B 63/02
211/194
- D258,864 S * 4/1981 Muller D8/356
- D265,052 S * 6/1982 Husted D8/356
- 5,234,185 A * 8/1993 Hoffman F16L 5/14
248/56
- 5,316,246 A * 5/1994 Scott A61M 5/1418
248/68.1
- D353,990 S * 1/1995 Alfreds D8/356
- D354,904 S * 1/1995 Halsten D8/356

- D372,188 S * 7/1996 Van Dyke D8/358
- D390,447 S * 2/1998 Colen, Jr. D8/356
- D394,997 S * 6/1998 Coll
- 5,992,802 A * 11/1999 Campbell F16L 3/2235
248/68.1
- 6,012,940 A * 1/2000 Wheeler H01R 13/6392
439/369
- D430,005 S * 8/2000 Stearns D8/380
- 6,203,384 B1 * 3/2001 DeFrance H01R 4/36
439/797
- 6,227,502 B1 * 5/2001 Derman F16L 3/2235
248/68.1
- D448,650 S * 10/2001 Vrame D8/354
- 6,360,051 B1 * 3/2002 Daoud G02B 6/3801
385/134
- 6,571,854 B1 * 6/2003 Palmer E06B 9/324
160/173 R
- D482,269 S 11/2003 Martello
(Continued)

Primary Examiner — Cynthia R Underwood
(74) *Attorney, Agent, or Firm* — Law Offices of Steven W. Weinrieb

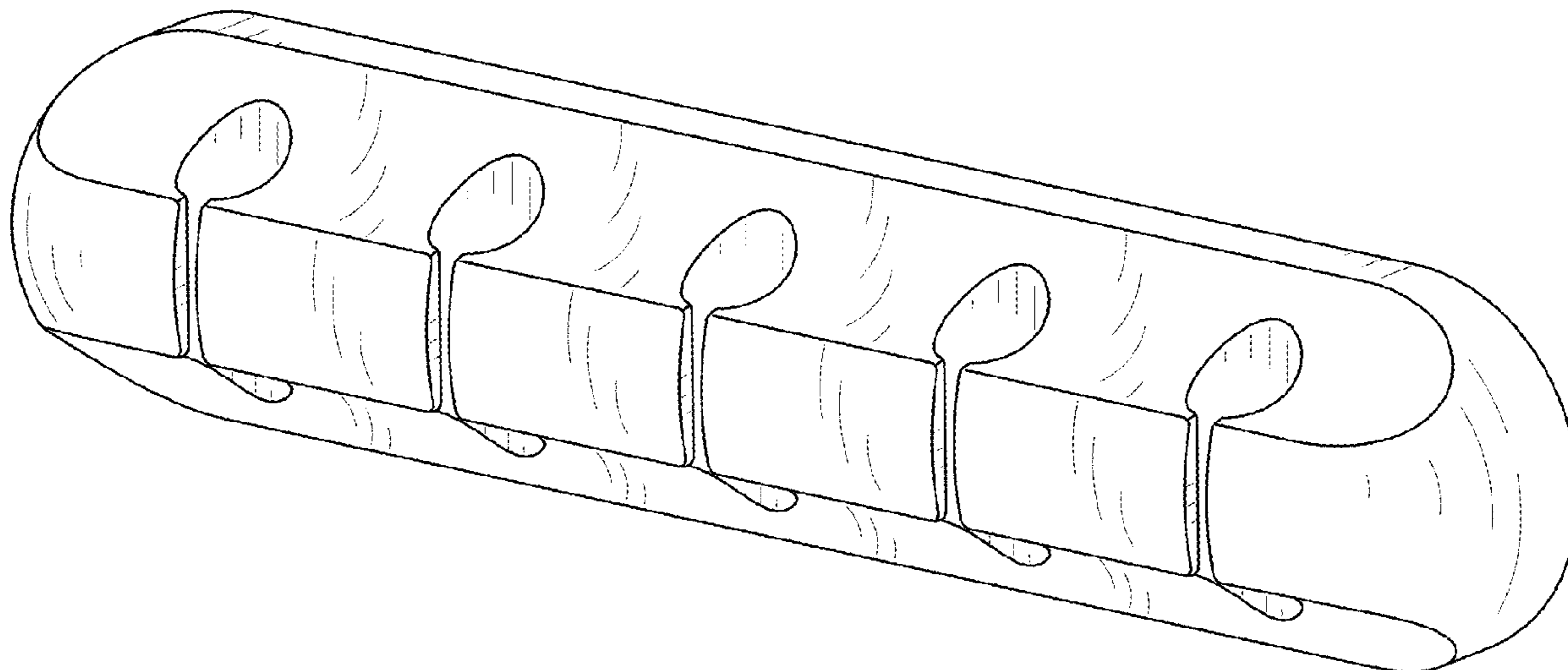
(57) **CLAIM**

The ornamental design for a cable clip, as shown and described.

DESCRIPTION

FIG. 1 is a front, right side, top perspective view of a cable clip showing my new design; FIG. 2 is a rear, left side, bottom perspective view thereof; FIG. 3 is a front elevational view thereof; FIG. 4 is a rear elevational view thereof; FIG. 5 is a left side elevational view thereof; FIG. 6 is a right side elevational view thereof; FIG. 7 is a top plan view thereof; and, FIG. 8 is a bottom plan view thereof. The broken lines depict portions of the cable clip that form no part of the claimed design.

1 Claim, 8 Drawing Sheets



(56)

References Cited

U.S. PATENT DOCUMENTS

D485,161 S * 1/2004 Hutchinson D8/383
 D488,054 S * 4/2004 Myers D8/356
 D494,450 S * 8/2004 Schultz D8/356
 D520,863 S 5/2006 Schwartz et al.
 D537,332 S * 2/2007 Nagle D8/396
 D563,771 S * 3/2008 Prechtel D8/354
 D576,867 S * 9/2008 Kretz D8/356
 D597,403 S 8/2009 Ho et al.
 7,610,661 B2 * 11/2009 Sween B65H 75/06
 24/129 R
 D625,985 S 10/2010 Mori et al.
 D640,527 S * 6/2011 Hoek D8/356
 D644,501 S * 9/2011 Chen D8/356
 D657,869 S * 4/2012 Mammen D24/128
 D664,025 S 7/2012 Horn
 8,294,030 B2 * 10/2012 Pollard, Jr. H02G 3/24
 174/155
 D684,845 S * 6/2013 Wood A62B 1/14
 D8/356
 D691,875 S * 10/2013 Ganski D8/356
 D693,312 S 11/2013 Niestrat et al.

D706,225 S 6/2014 Deloache et al.
 D731,296 S * 6/2015 Nelson D8/356
 D732,933 S * 6/2015 Jansen D8/356
 D733,534 S * 7/2015 Altrichter D8/356
 D753,985 S * 4/2016 Nelson D8/356
 9,314,013 B2 * 4/2016 Mancuso, Jr. A01M 31/006
 D756,752 S * 5/2016 Dentener D8/356
 D774,002 S * 12/2016 Hsieh D13/155
 D791,582 S * 7/2017 Nelson D8/358
 D794,434 S * 8/2017 McCoy D8/354
 9,755,354 B1 * 9/2017 Aumiller H01R 13/60
 D801,784 S * 11/2017 Simon D8/356
 D816,465 S * 5/2018 Fortoloczki A01M 31/006
 D8/356
 D840,795 S * 2/2019 Tribbett B65D 63/08
 D8/383
 D852,354 S * 6/2019 Wrangmark D24/128
 D853,336 S * 7/2019 Barram D13/155
 D856,786 S * 8/2019 Stapleton D8/382
 D878,903 S * 3/2020 Roskamp D8/349
 D894,722 S * 9/2020 Stacey D8/383
 2014/0079509 A1 * 3/2014 Chalverat F16B 5/02
 411/366.1

* cited by examiner

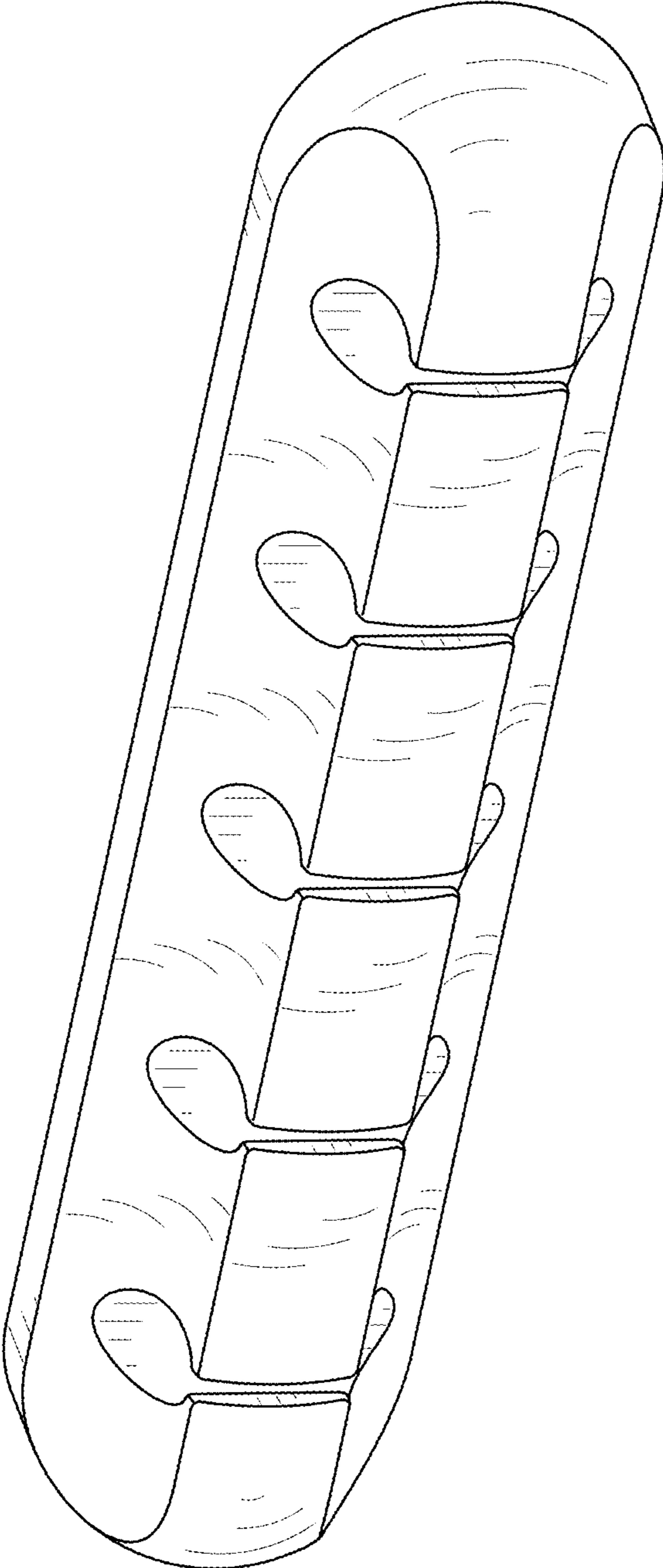


FIG. 1

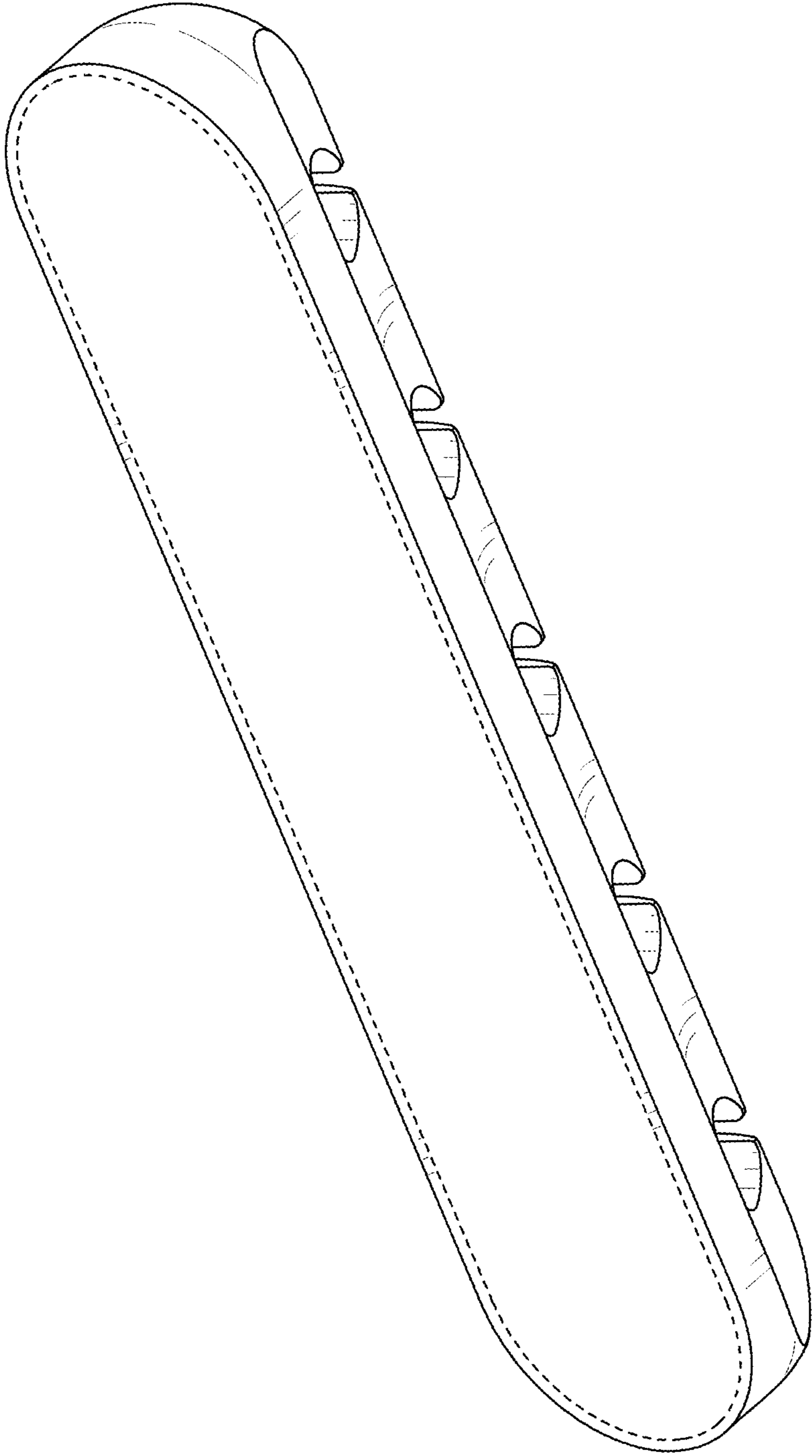


FIG. 2

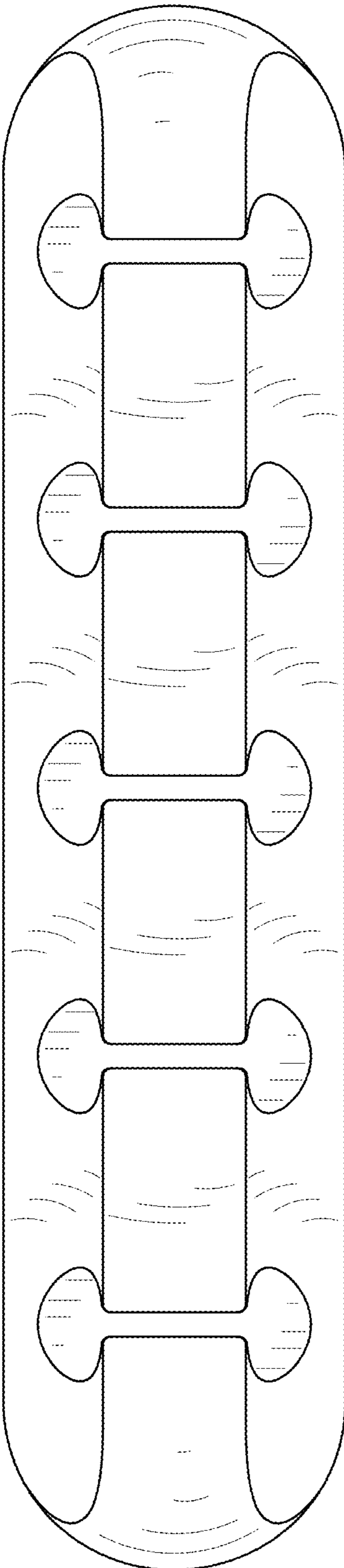


FIG. 3

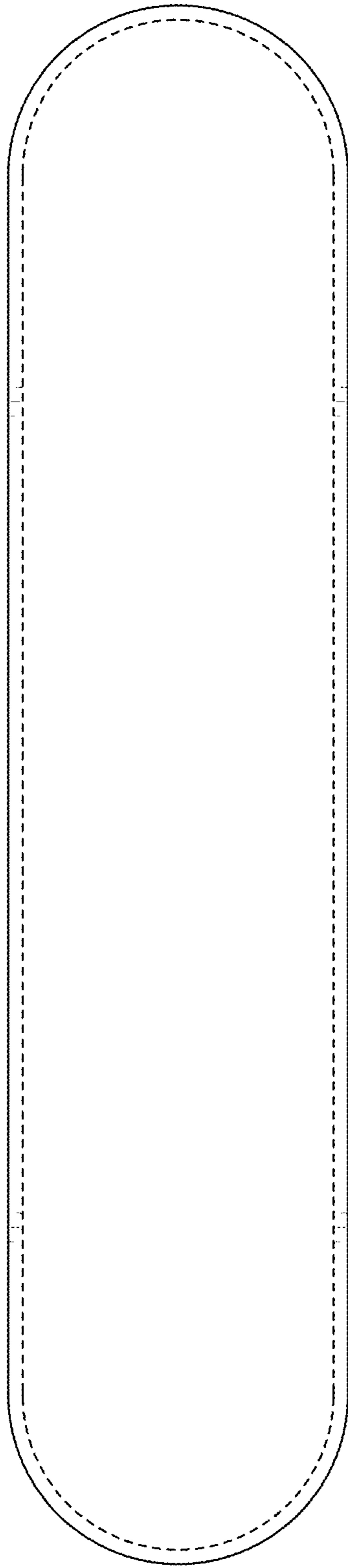


FIG. 4

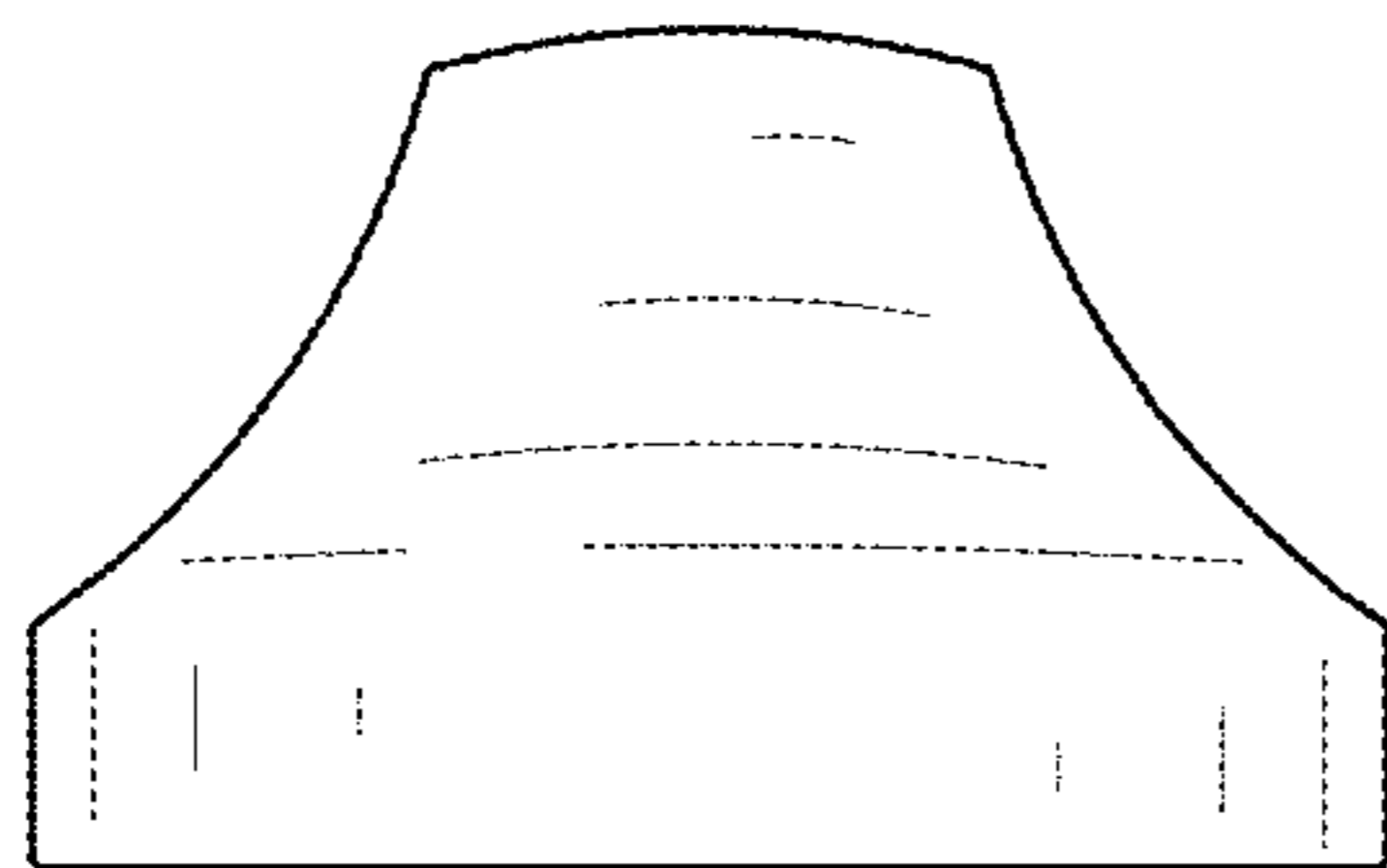


FIG. 5

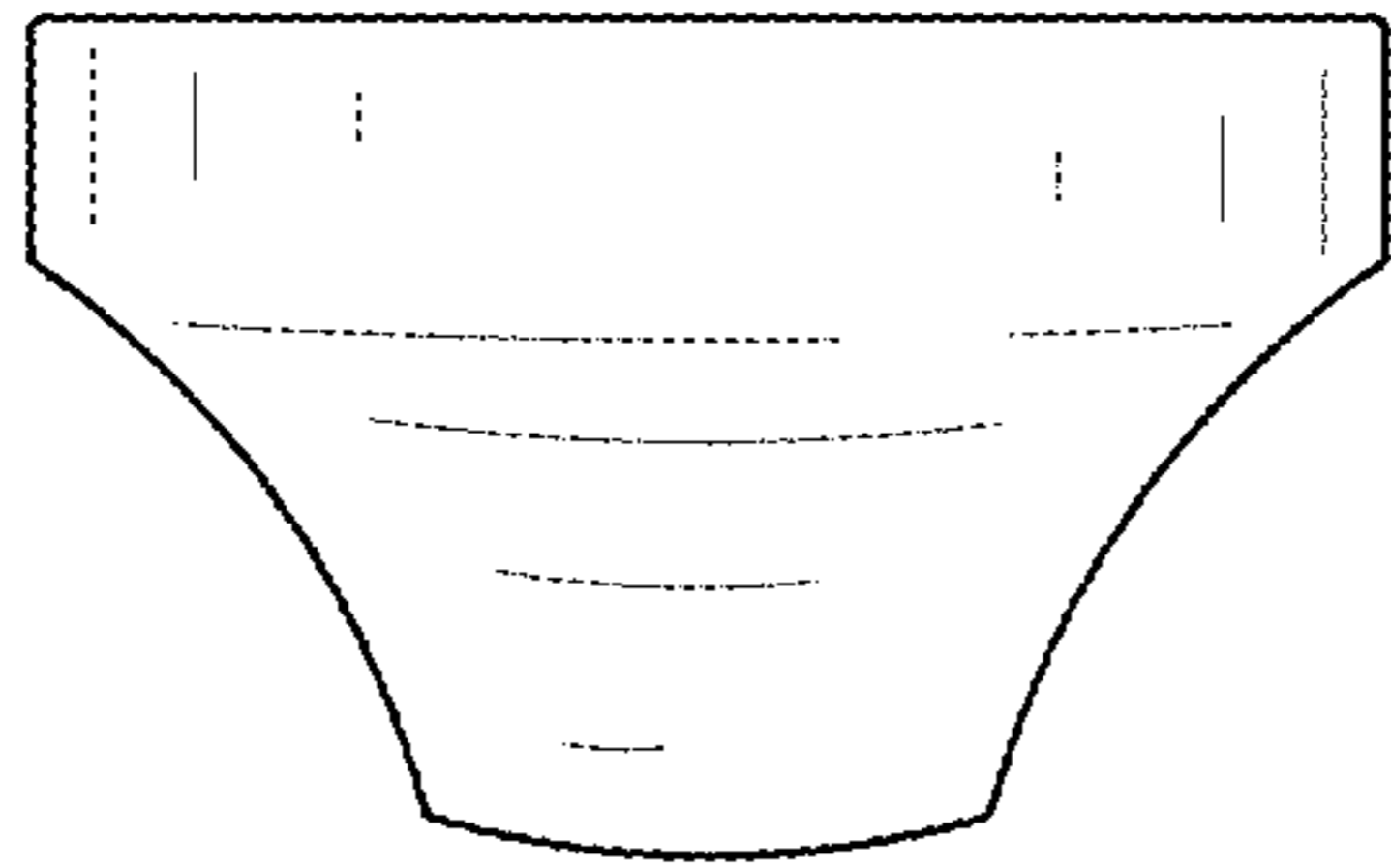


FIG. 6

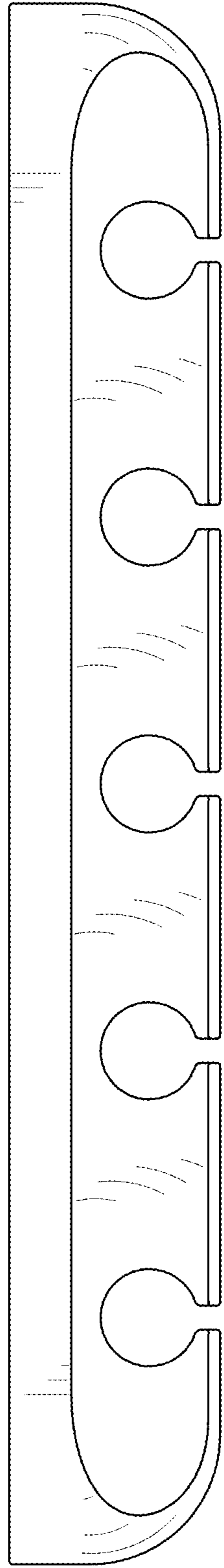


FIG. 7

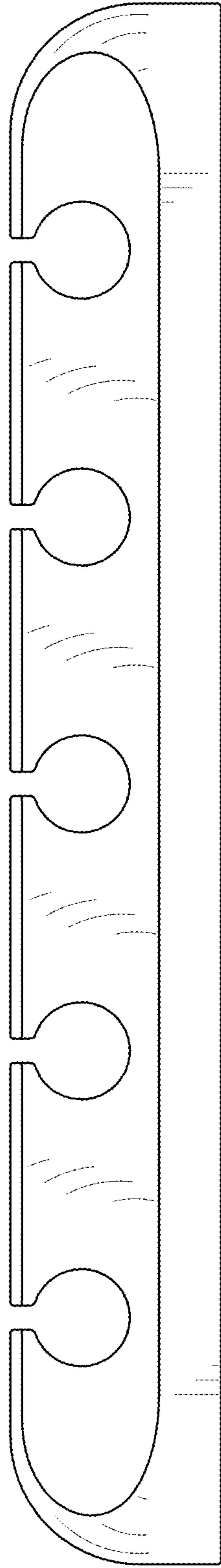


FIG. 8