



US00D907986S

(12) **United States Design Patent** (10) **Patent No.:** **US D907,986 S**  
**Krall** (45) **Date of Patent:** **\*\* Jan. 19, 2021**

(54) **DUMP SAFETY LOCK** 6,905,174 B1 \* 6/2005 Gilbertson ..... B60P 1/283  
298/1 B  
(71) Applicant: **Michael Krall**, New Berlin, IL (US) D693,668 S \* 11/2013 Wojtowicz ..... D8/394  
D698,193 S \* 1/2014 Tufano ..... D6/716.1  
(72) Inventor: **Michael Krall**, New Berlin, IL (US) D733,032 S \* 6/2015 Krawl ..... D12/400  
9,225,079 B2 \* 12/2015 Fredriks ..... H01R 4/2454  
(\*\*) Term: **15 Years** 2012/0300443 A1 \* 11/2012 Weber ..... F21L 4/005  
362/186  
(21) Appl. No.: **29/641,058** 2014/0170895 A1 \* 6/2014 Fredriks ..... H01R 4/2454  
439/426

(Continued)

(22) Filed: **Mar. 19, 2018**  
(51) **LOC (13) Cl.** ..... **08-07**  
(52) **U.S. Cl.**  
USPC ..... **D8/343**  
(58) **Field of Classification Search**  
USPC ..... D8/343; D12/217, 169, 220, 222, 400;  
D3/11, 203.5, 206, 232, 265  
CPC ..... G09F 3/0335; B60P 1/28; B60P 1/003;  
B60P 1/00; B60P 1/4492; B60P 1/36;  
B60P 1/04; B60P 1/283  
See application file for complete search history.

OTHER PUBLICATIONS

DumpLok-UDLBrochure\_BlueRibbon\_Final-Print (modified Feb. 22, 2018) [http://dump-lok.com/wp/wp-content/uploads/2018/DUMPLOK-UDLBrochure\\_BlueRibbon\\_FINAL-PRINT.pdf](http://dump-lok.com/wp/wp-content/uploads/2018/DUMPLOK-UDLBrochure_BlueRibbon_FINAL-PRINT.pdf) (Year: 2018).\*

*Primary Examiner* — Ian Simmons  
*Assistant Examiner* — Yolanda Robinson  
(74) *Attorney, Agent, or Firm* — Law Offices of Robert M. Patino

(56) **References Cited**  
U.S. PATENT DOCUMENTS

2,082,139 A \* 6/1937 Bassetti ..... B60P 1/283  
248/351  
2,853,113 A \* 9/1958 Balint ..... F16B 37/044  
411/103  
3,143,818 A \* 8/1964 Vartanian ..... F41C 7/06  
42/21  
D274,124 S \* 6/1984 Bennett ..... D8/341  
D274,125 S \* 6/1984 Hardesty ..... D8/340  
D300,309 S \* 3/1989 Miller ..... D12/15  
D302,141 S \* 7/1989 Crozier ..... D12/15  
5,174,632 A \* 12/1992 Hagenbuch ..... B60P 1/267  
296/183.2  
D364,590 S \* 11/1995 Yamashita ..... D12/14  
D397,984 S \* 9/1998 Pingel ..... D12/217  
D436,309 S \* 1/2001 Mahlmann ..... D8/301  
6,393,875 B1 \* 5/2002 Garel ..... E05B 67/36  
70/14  
6,471,299 B2 \* 10/2002 Brooks, Jr. .... B60P 1/283  
298/17 B

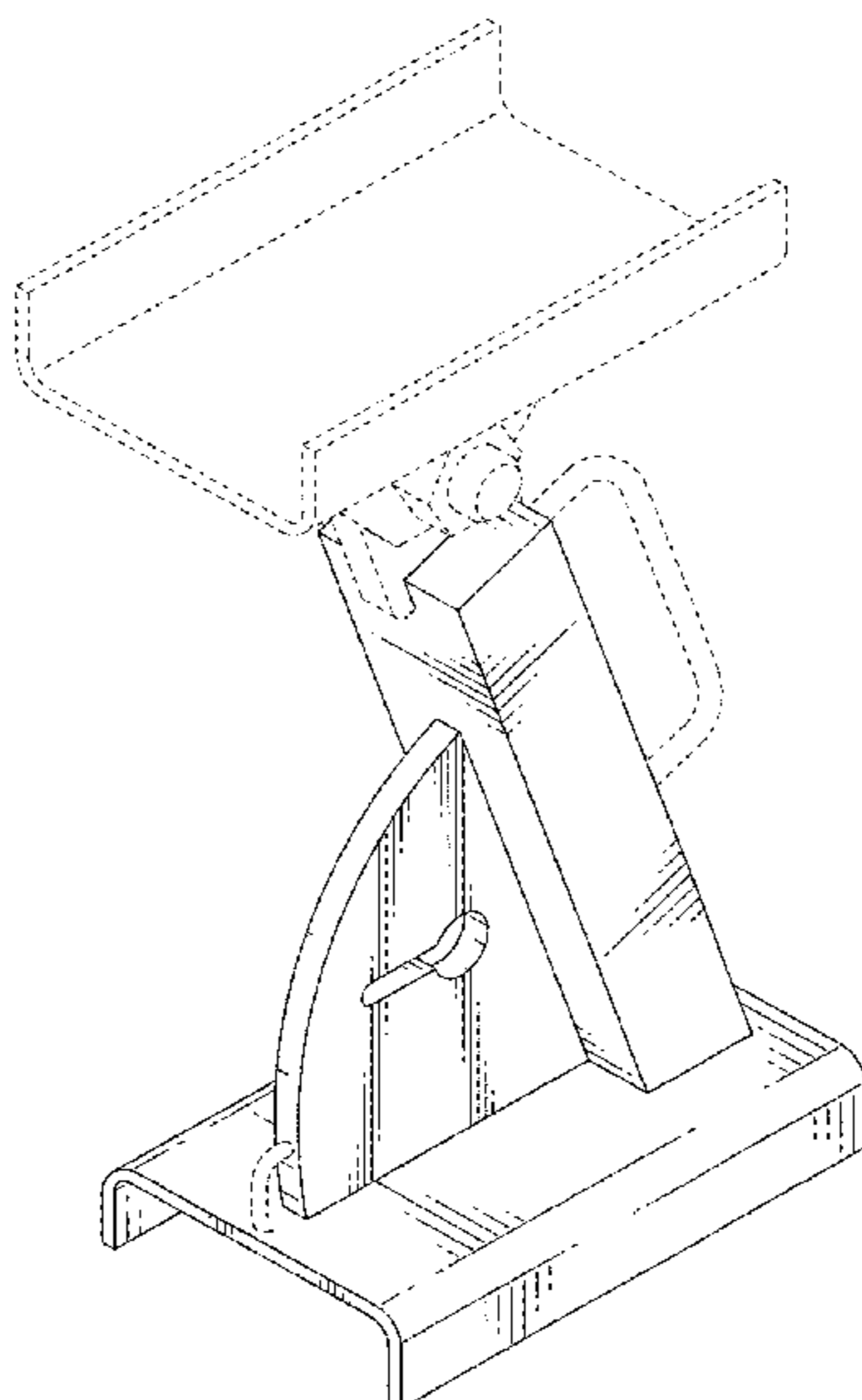
(57) **CLAIM**

The ornamental design for a dump safety lock, as shown and described.

**DESCRIPTION**

FIG. 1 is a side perspective view of a dump safety lock showing my new design;  
FIG. 2 is a left side view thereof;  
FIG. 3 is a right side view thereof;  
FIG. 4 is a top plan view thereof;  
FIG. 5 is a bottom plan view thereof;  
FIG. 6 is a rear view thereof; and,  
FIG. 7 is a front view thereof.  
The broken lines in the figures show portions of the dump safety lock that form no part of the claimed design.

**1 Claim, 3 Drawing Sheets**



(56)

**References Cited**

U.S. PATENT DOCUMENTS

2018/0354403 A1\* 12/2018 Strader ..... F24H 1/06  
2020/0125104 A1\* 4/2020 Kuriyagawa ..... A01D 34/71

\* cited by examiner

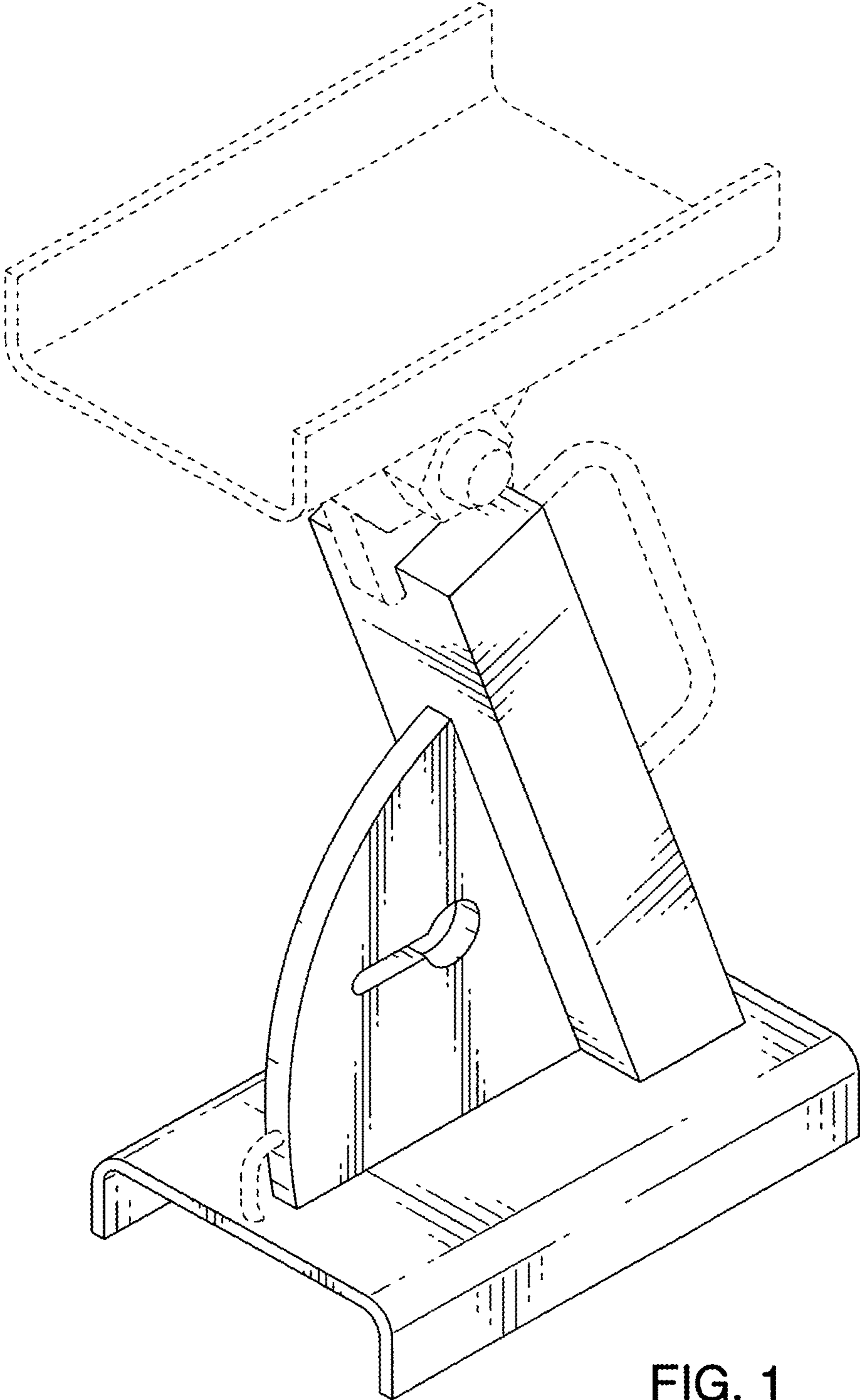


FIG. 1

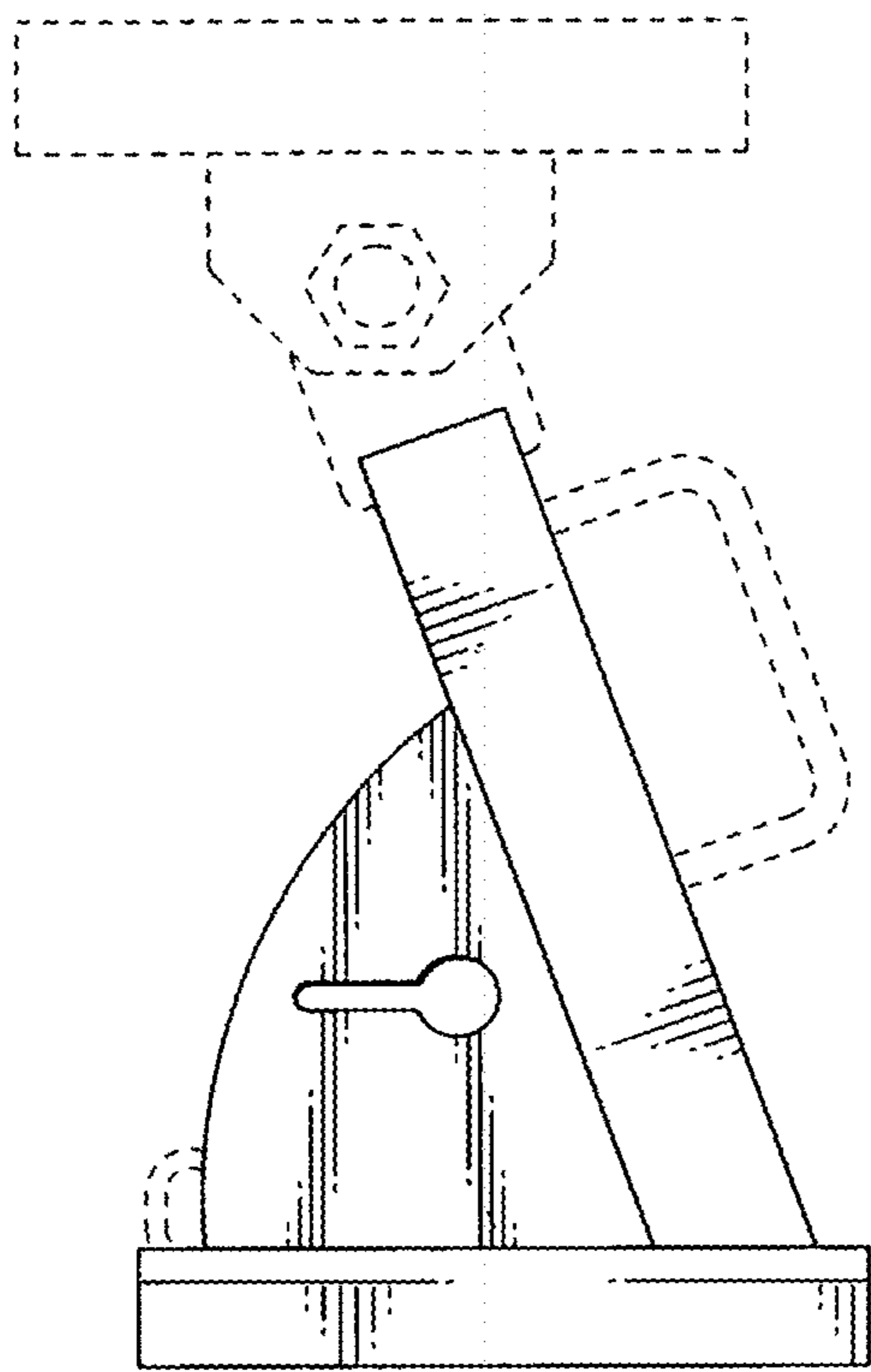


FIG. 2

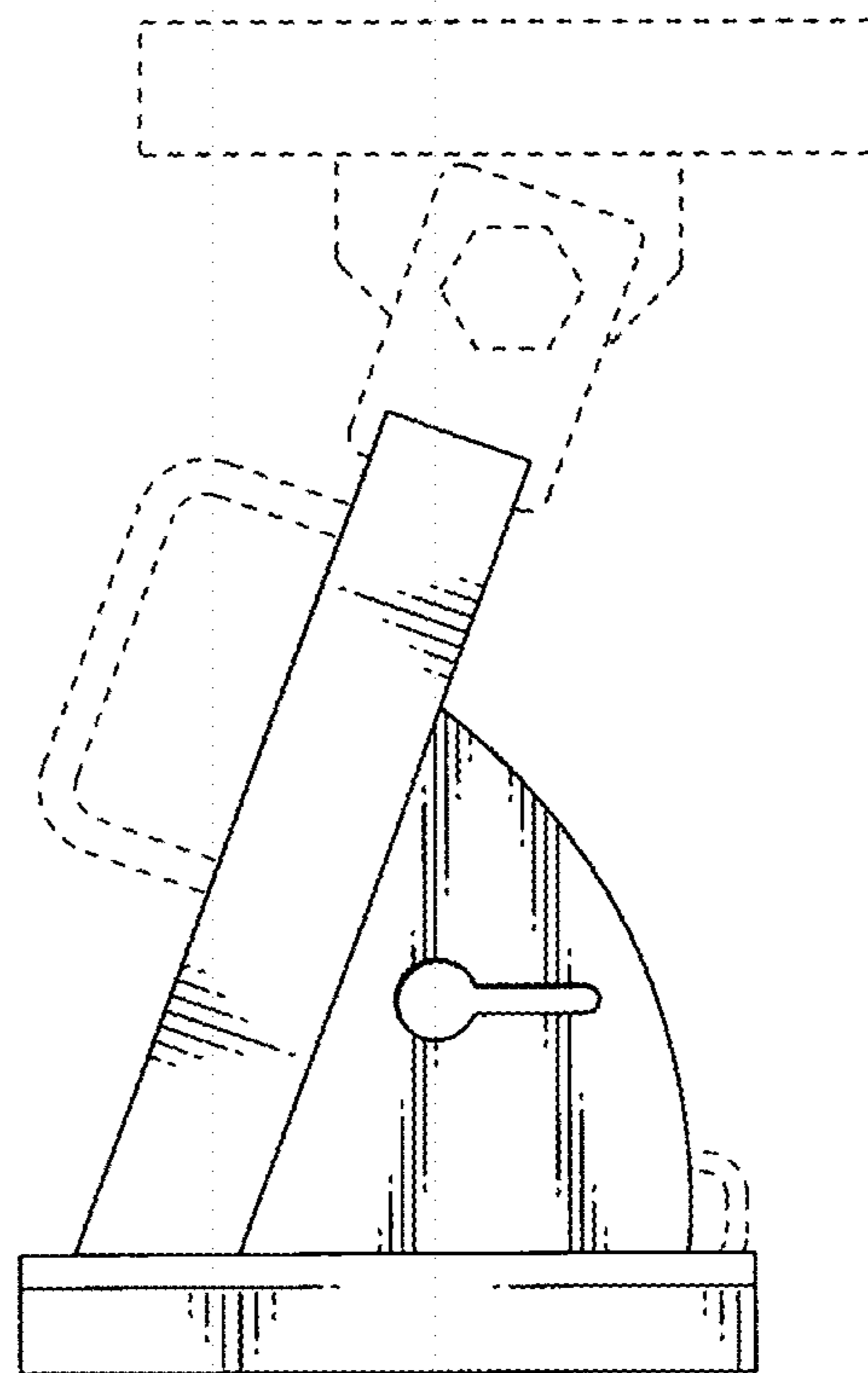


FIG. 3

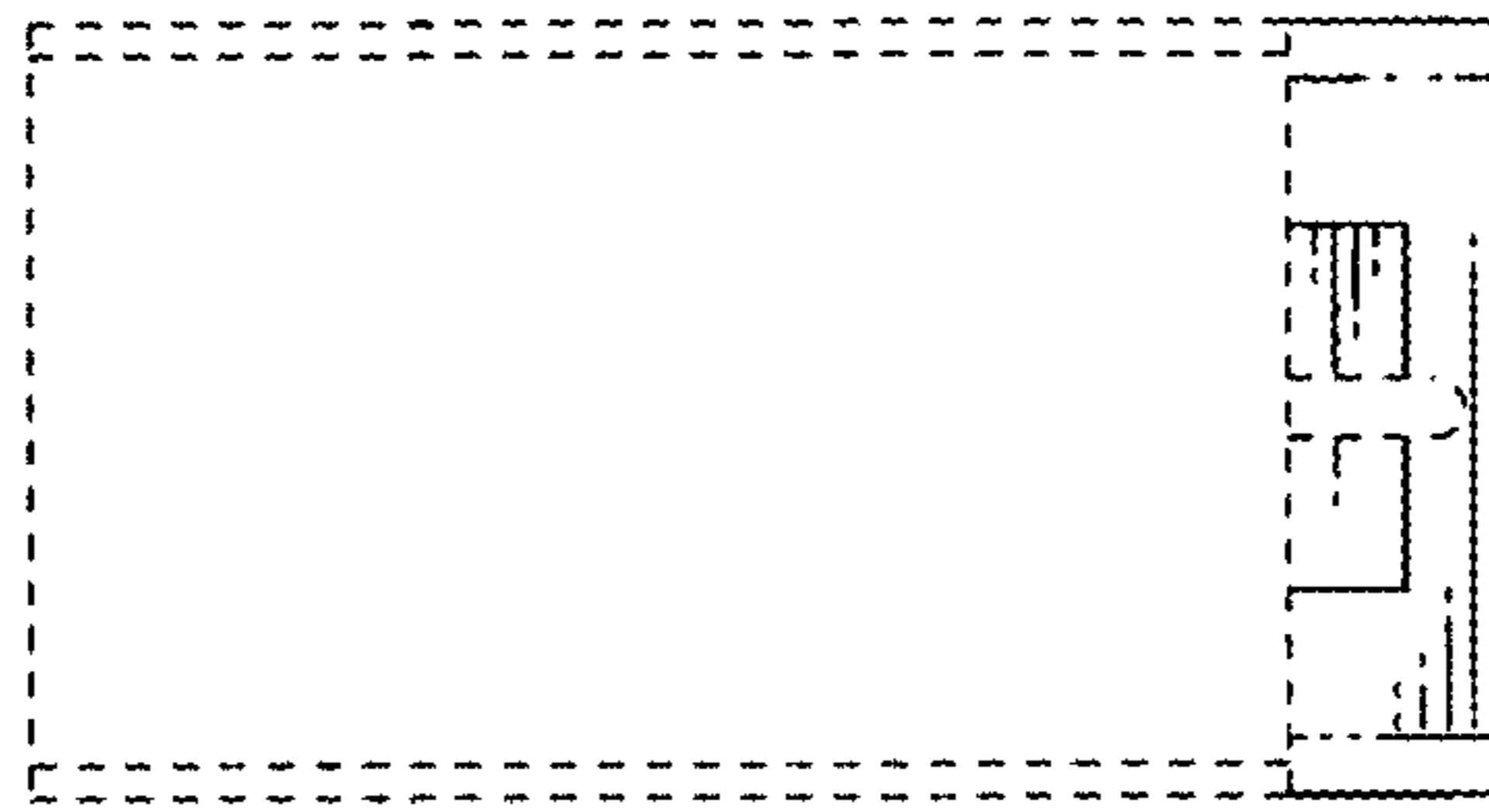


FIG. 4



FIG. 5

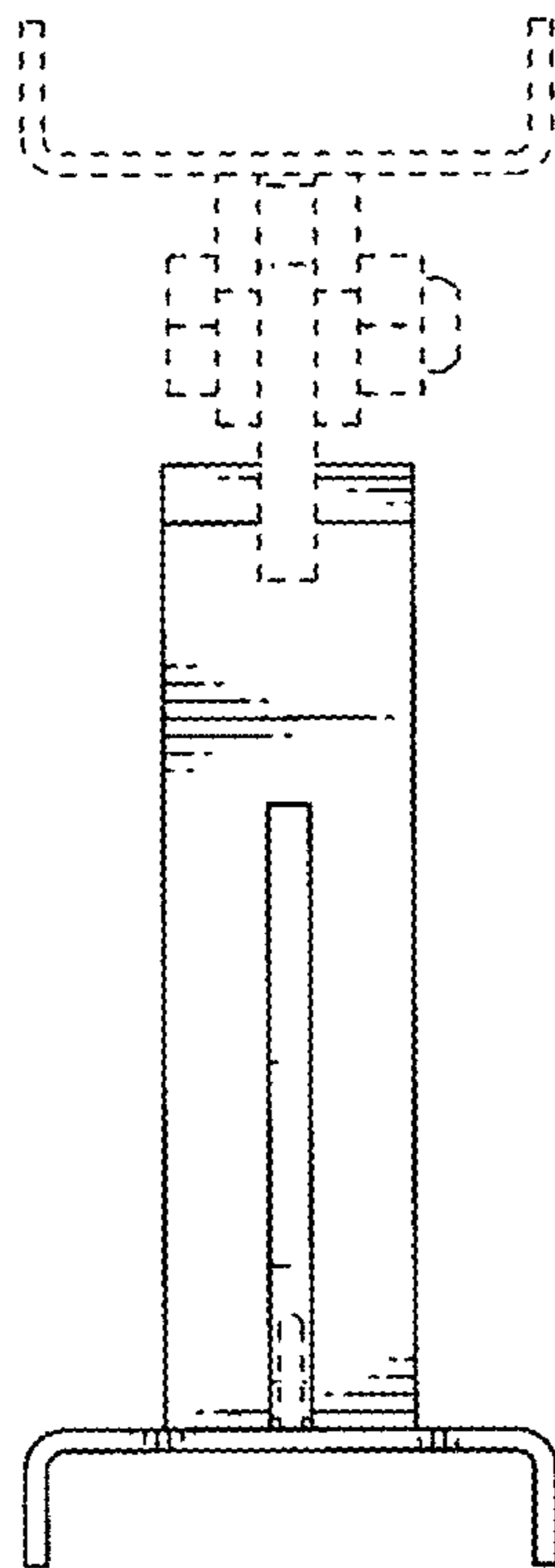


FIG. 6

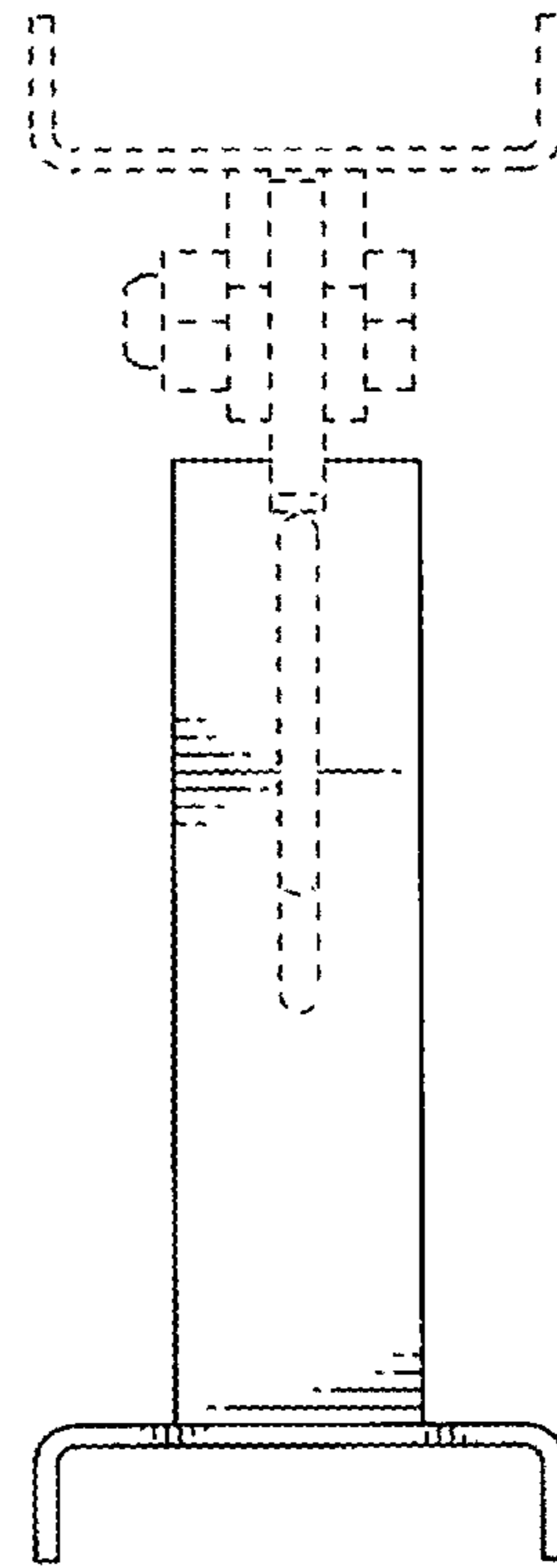


FIG. 7