



US00D907983S

(12) **United States Design Patent**
Strebel Marzano et al.

(10) **Patent No.:** **US D907,983 S**
(45) **Date of Patent:** **** Jan. 19, 2021**

- (54) **KNOB**
- (71) Applicant: **ROCKWELL AUTOMATION SWITZERLAND GMBH**, Aarau (CH)
- (72) Inventors: **Thomas Strebel Marzano**, Birmenstorf (CH); **Beat Schreiber**, Langendorf (CH)
- (73) Assignee: **Rockwell Automation Switzerland GmbH**, Aarau (CH)
- (**) Term: **15 Years**
- (21) Appl. No.: **29/701,140**
- (22) Filed: **Aug. 8, 2019**
- (51) **LOC (13) Cl.** **06-08**
- (52) **U.S. Cl.**
USPC **D8/311**; D8/321; D8/305
- (58) **Field of Classification Search**
USPC D8/107, 300, 301, 305, 307, 310, 311, D8/312, 321; D10/102; D23/250, 421; D7/393, 394, 396, 543, 545, 547, 548
CPC ... Y10T 292/57; Y10T 292/82; Y10T 16/469; Y10T 16/44; Y10T 16/476; Y10T 74/2084; Y10T 292/85; Y10T 74/2087; Y10T 16/4713; Y10T 16/506; Y10T 74/20876; Y10T 74/20612; Y10T 70/5765; Y10T 16/459; Y10T 74/2066; Y10T 16/487; Y10T 74/20822
See application file for complete search history.

- (56) **References Cited**
U.S. PATENT DOCUMENTS
D90,772 S * 9/1933 Kasch D8/307
D96,944 S * 9/1935 Triplett D8/311
D128,119 S * 7/1941 Landmeier D8/308
D152,928 S * 3/1949 Stuman D8/311

- D153,981 S * 5/1949 Reinecke D8/311
- D159,415 S * 7/1950 Hitchcock D8/311
- D166,292 S * 4/1952 Anthony D8/311
- D166,874 S * 5/1952 Reed D8/311
- D169,045 S * 3/1953 Morse D8/307
- D189,142 S * 11/1960 Heckman D8/311
- D198,030 S * 4/1964 Hill D8/311
- D202,273 S * 9/1965 Brendgord D8/311
- D209,143 S * 11/1967 Hampel et al. D8/311
- 5,204,502 A * 4/1993 Ferris H01H 19/025
200/18
- D356,230 S * 3/1995 Dornbush D7/402
- 6,019,478 A * 2/2000 Pizzo G05G 1/105
362/23.15
- 7,222,979 B1 * 5/2007 Popowich H01H 19/025
200/316
- D651,458 S * 1/2012 Segers D7/402
- D655,595 S * 3/2012 Ouellette D8/311

* cited by examiner

Primary Examiner — Lauren R Calve
(74) *Attorney, Agent, or Firm* — Quarles & Brady LLP

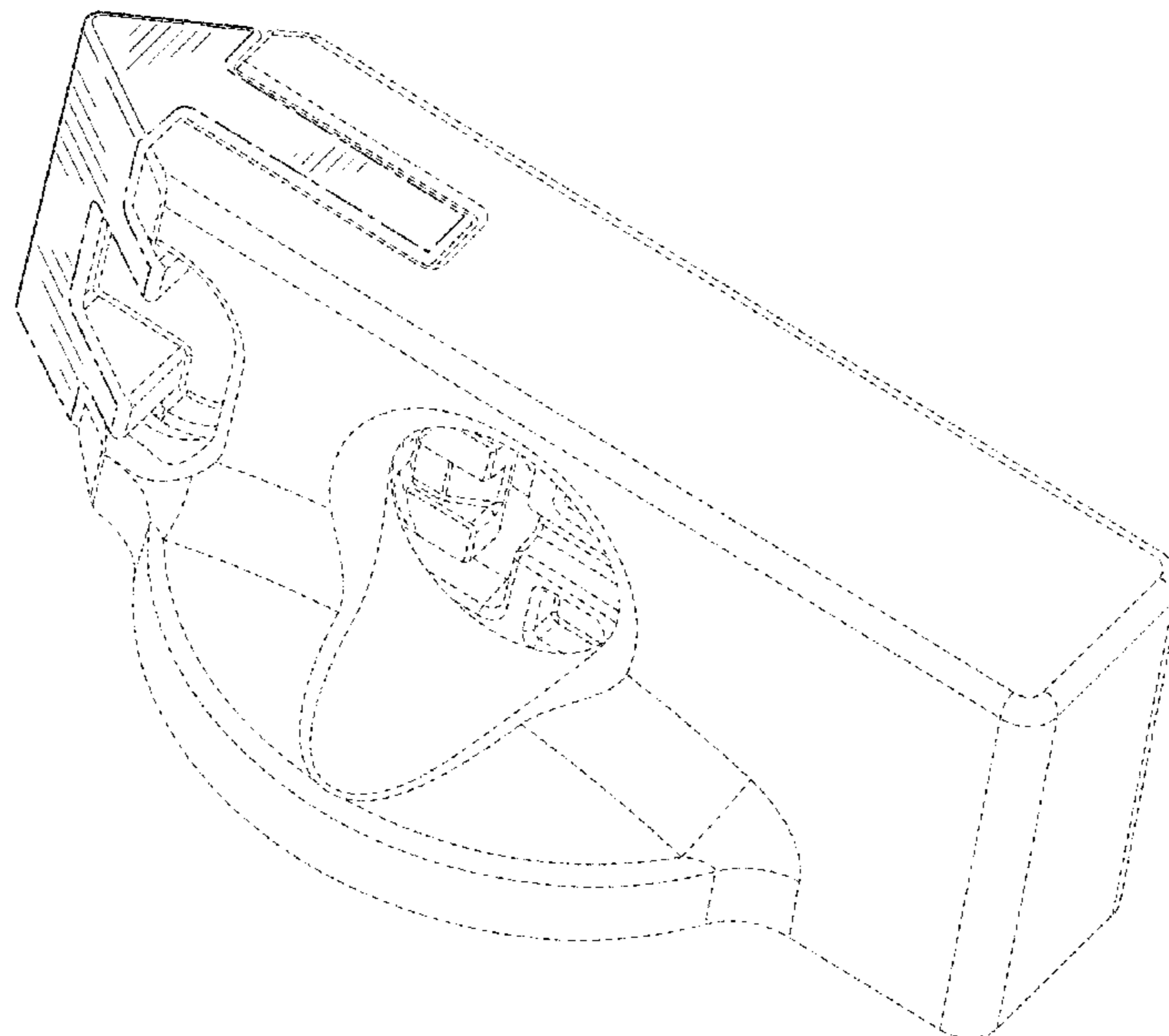
(57) **CLAIM**

The ornamental design for a knob, as shown and described.

DESCRIPTION

FIG. 1 is a top, left, and rear isometric view of a knob according to the present design;
FIG. 2 is a top plan view of the knob of FIG. 1;
FIG. 3 is a right side elevational view of the knob of FIG. 1;
FIG. 4 is a left side elevational view of the knob of FIG. 1; and,
FIG. 5 is a front elevational view of the knob of FIG. 1.
The dash-dash-dash lines are included for the purpose of illustrating portions that form no part of the claimed design. The dash-dot-dash broken lines depict boundary lines and form no part of the claimed design.

1 Claim, 5 Drawing Sheets



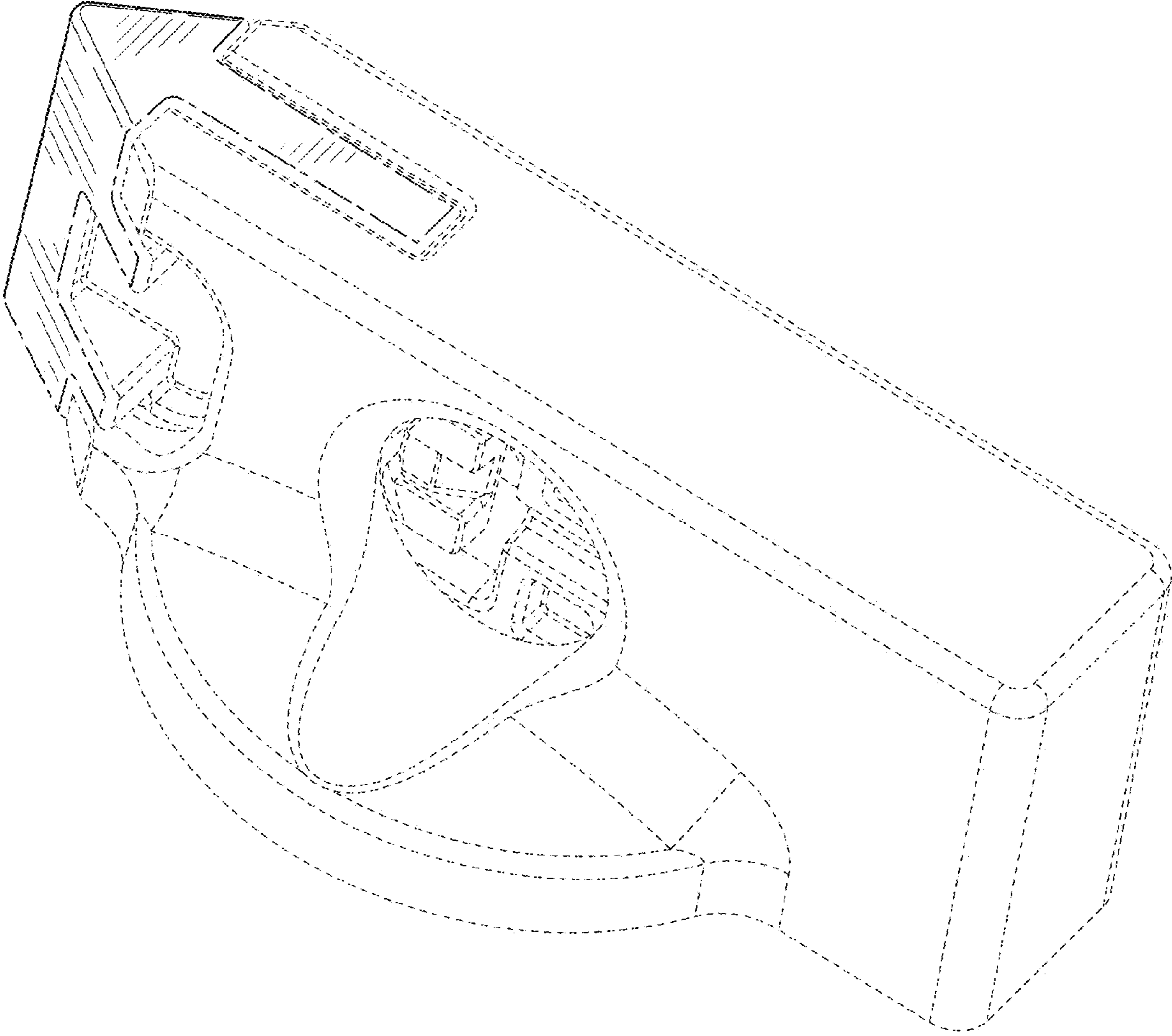


FIG. 1

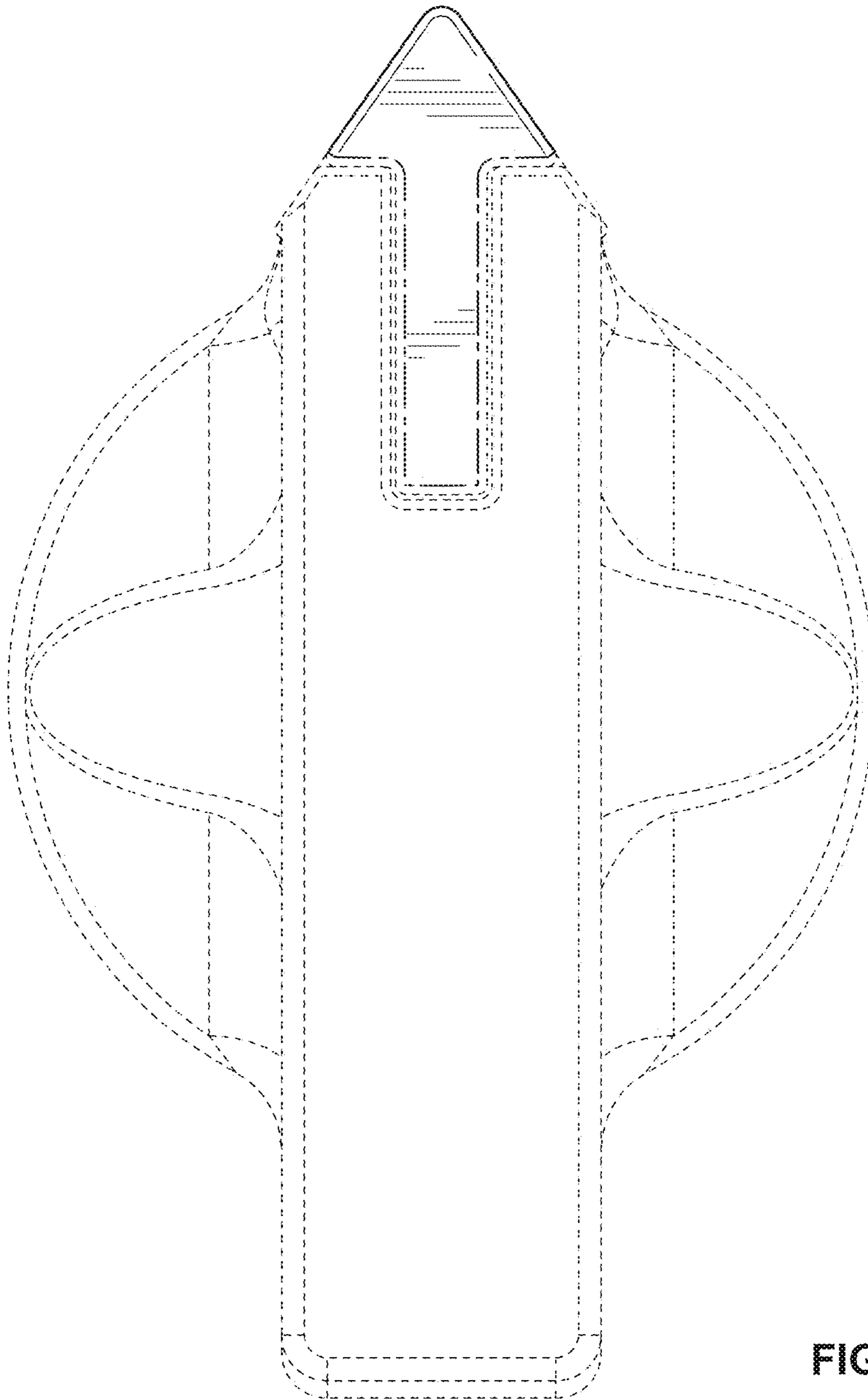


FIG. 2

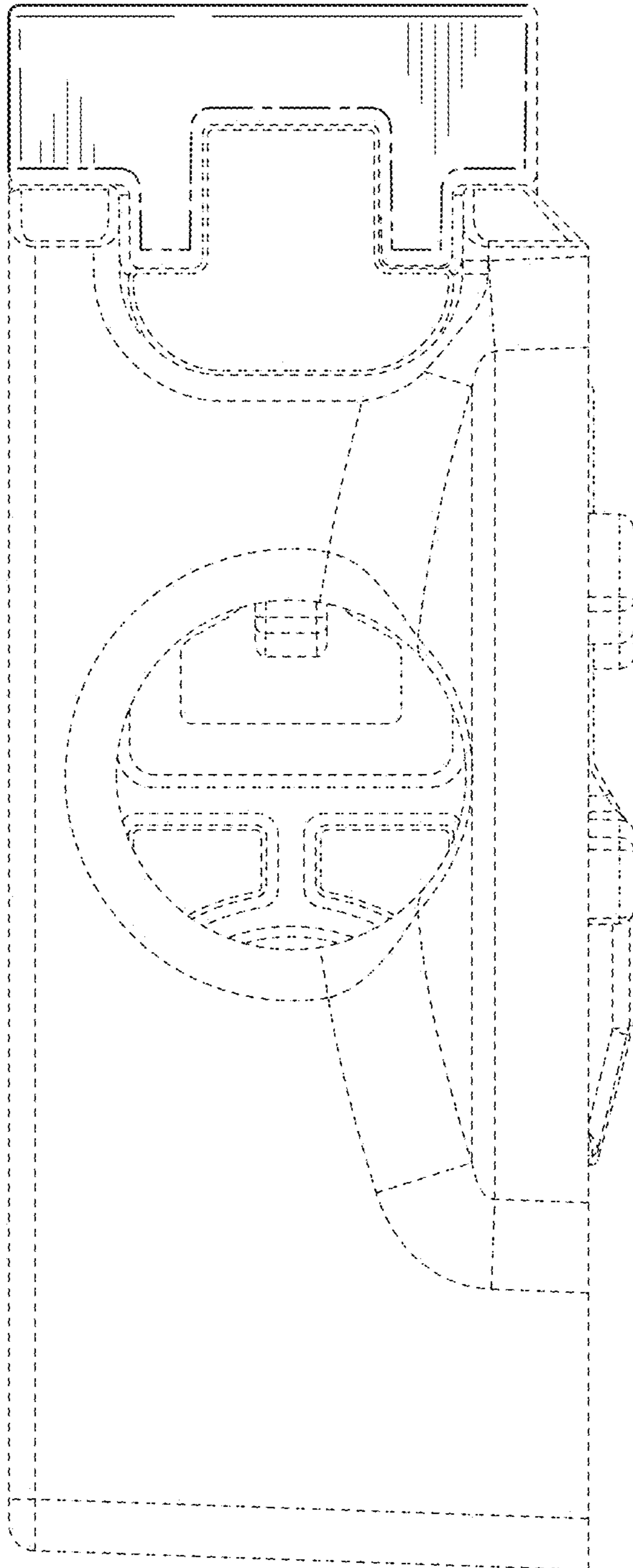


FIG. 3

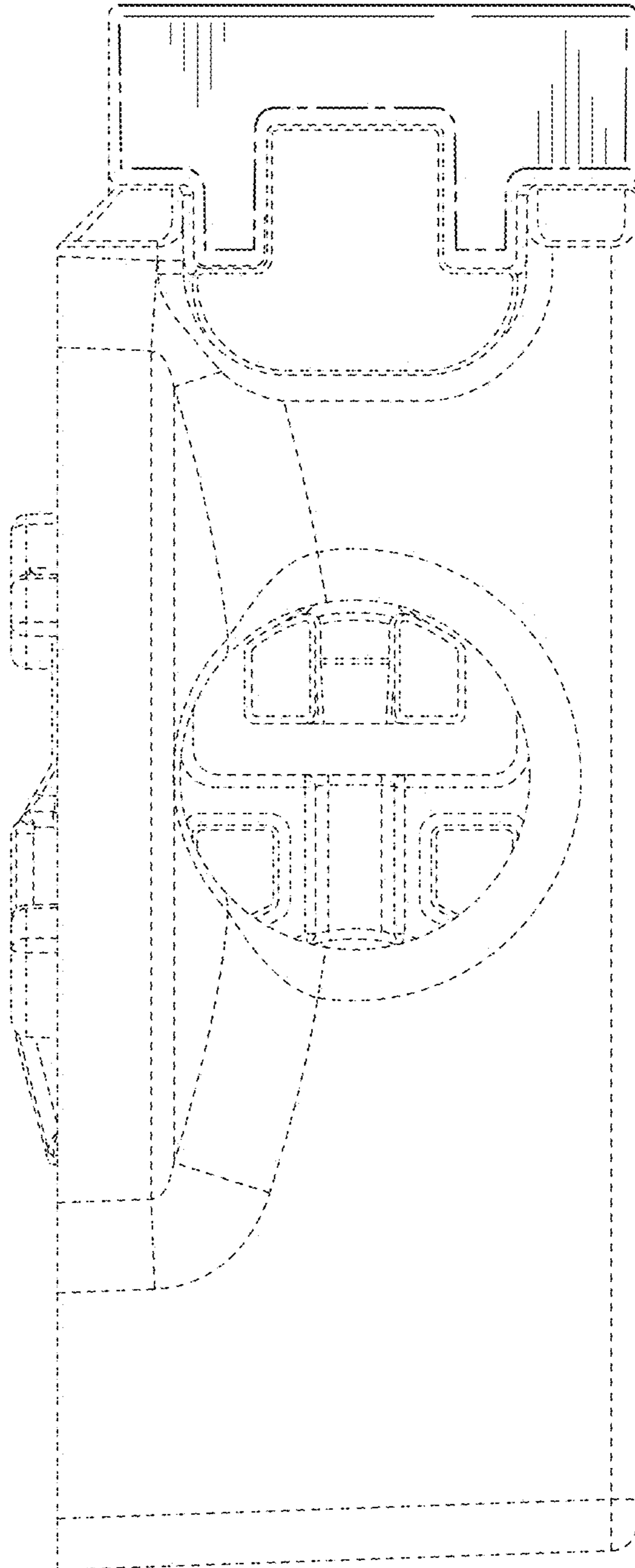


FIG. 4

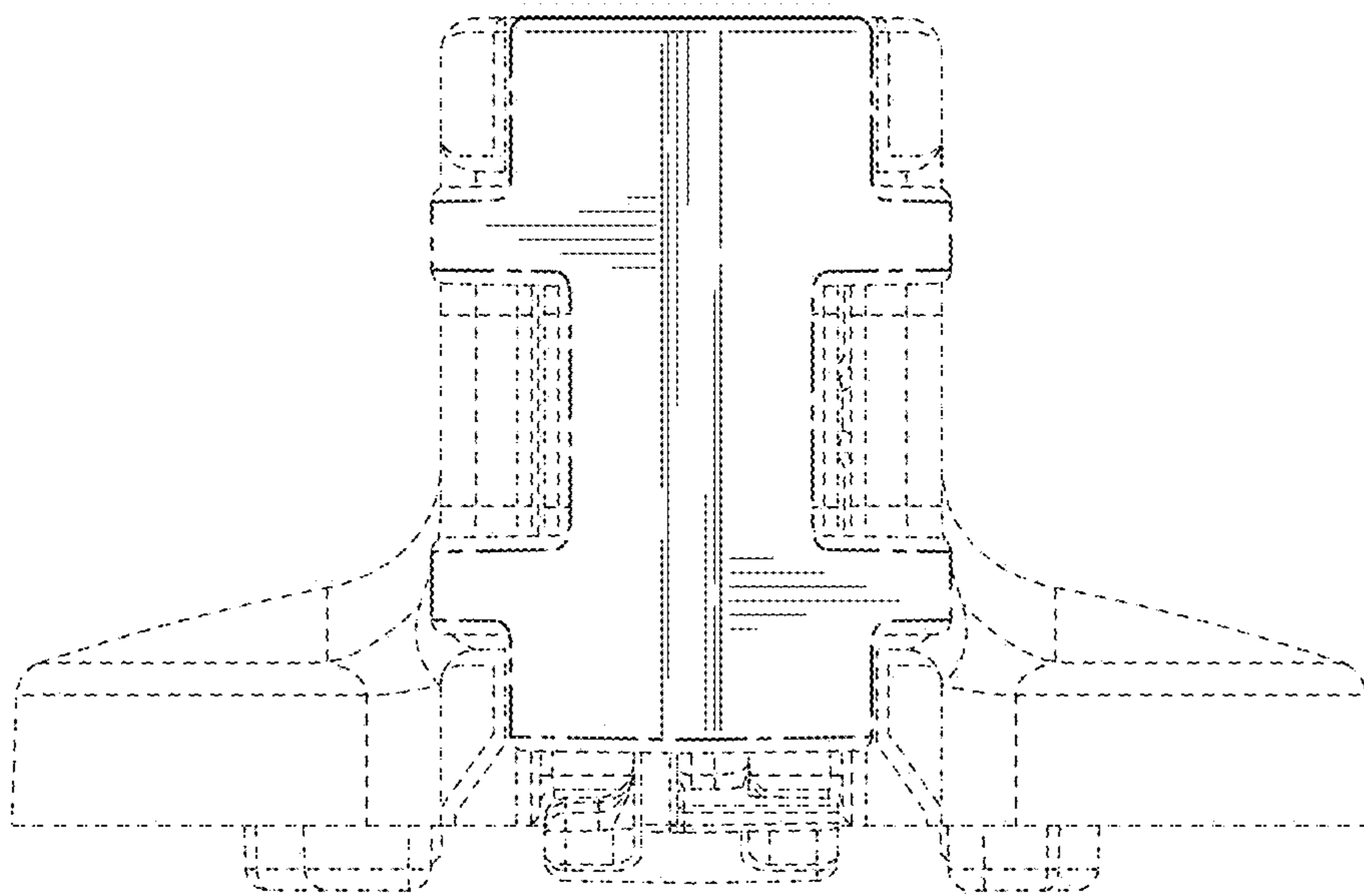


FIG. 5