



US00D907982S

(12) **United States Design Patent** (10) **Patent No.:** **US D907,982 S**  
**Liu** (45) **Date of Patent:** **\*\* Jan. 19, 2021**

- (54) **HANDLE FOR A CUTTER**
- (71) Applicant: **SIE CHANG CUTTING TOOLS CO., LTD., Taichung (TW)**
- (72) Inventor: **Xin-Bing Liu, Taichung (TW)**
- (73) Assignee: **SIE CHANG CUTTING TOOLS CO., LTD., Taichung (TW)**
- (\*\*) Term: **15 Years**
- (21) Appl. No.: **29/692,976**
- (22) Filed: **May 30, 2019**
- (51) **LOC (13) Cl.** ..... **08-03**
- (52) **U.S. Cl.**  
USPC ..... **D8/107; D8/57**
- (58) **Field of Classification Search**  
USPC ..... D8/5, 51, 52, 107, 300; D24/133  
CPC ..... A01G 3/02; B26B 13/12; B26B 13/14;  
B26B 13/20; B26B 13/06; B26B 13/22;  
B26B 17/00  
See application file for complete search history.

- (56) **References Cited**  
U.S. PATENT DOCUMENTS
- |                |         |                   |                     |
|----------------|---------|-------------------|---------------------|
| D389,714 S *   | 1/1998  | Snyker .....      | D8/57               |
| D393,193 S *   | 4/1998  | Schneider .....   | D8/57               |
| D427,869 S *   | 7/2000  | Zoiss .....       | D8/57               |
| D445,324 S *   | 7/2001  | Hesprich .....    | D8/107              |
| 6,643,937 B1 * | 11/2003 | Wu .....          | A01G 3/02<br>30/261 |
| D547,139 S *   | 7/2007  | Shan .....        | D8/5                |
| D580,236 S *   | 11/2008 | Wu .....          | D8/5                |
| D581,759 S *   | 12/2008 | Aglassinger ..... | D8/62               |
| D595,548 S *   | 7/2009  | Lipscomb .....    | D8/5                |
| D608,613 S *   | 1/2010  | Hedrick .....     | D8/57               |

- |                |         |                  |            |
|----------------|---------|------------------|------------|
| D611,793 S *   | 3/2010  | Trewartha .....  | D8/5       |
| D623,917 S *   | 9/2010  | Goetz .....      | D8/57      |
| D642,033 S *   | 7/2011  | Molina .....     | D8/5       |
| D722,482 S *   | 2/2015  | McLean .....     | D8/57      |
| 9,216,512 B2 * | 12/2015 | Kawai .....      | B26B 13/20 |
| D755,599 S *   | 5/2016  | Payne .....      | D8/57      |
| D771,461 S *   | 11/2016 | Stokes .....     | D8/57      |
| D775,504 S *   | 1/2017  | Dechant .....    | D8/52      |
| D786,039 S *   | 5/2017  | Roberts .....    | D8/57      |
| D788,557 S *   | 6/2017  | Huang .....      | D8/57      |
| D810,535 S *   | 2/2018  | Liu .....        | D8/57      |
| D823,086 S *   | 7/2018  | Graykowski ..... | D8/57      |
| D835,484 S *   | 12/2018 | Liu .....        | D8/52      |

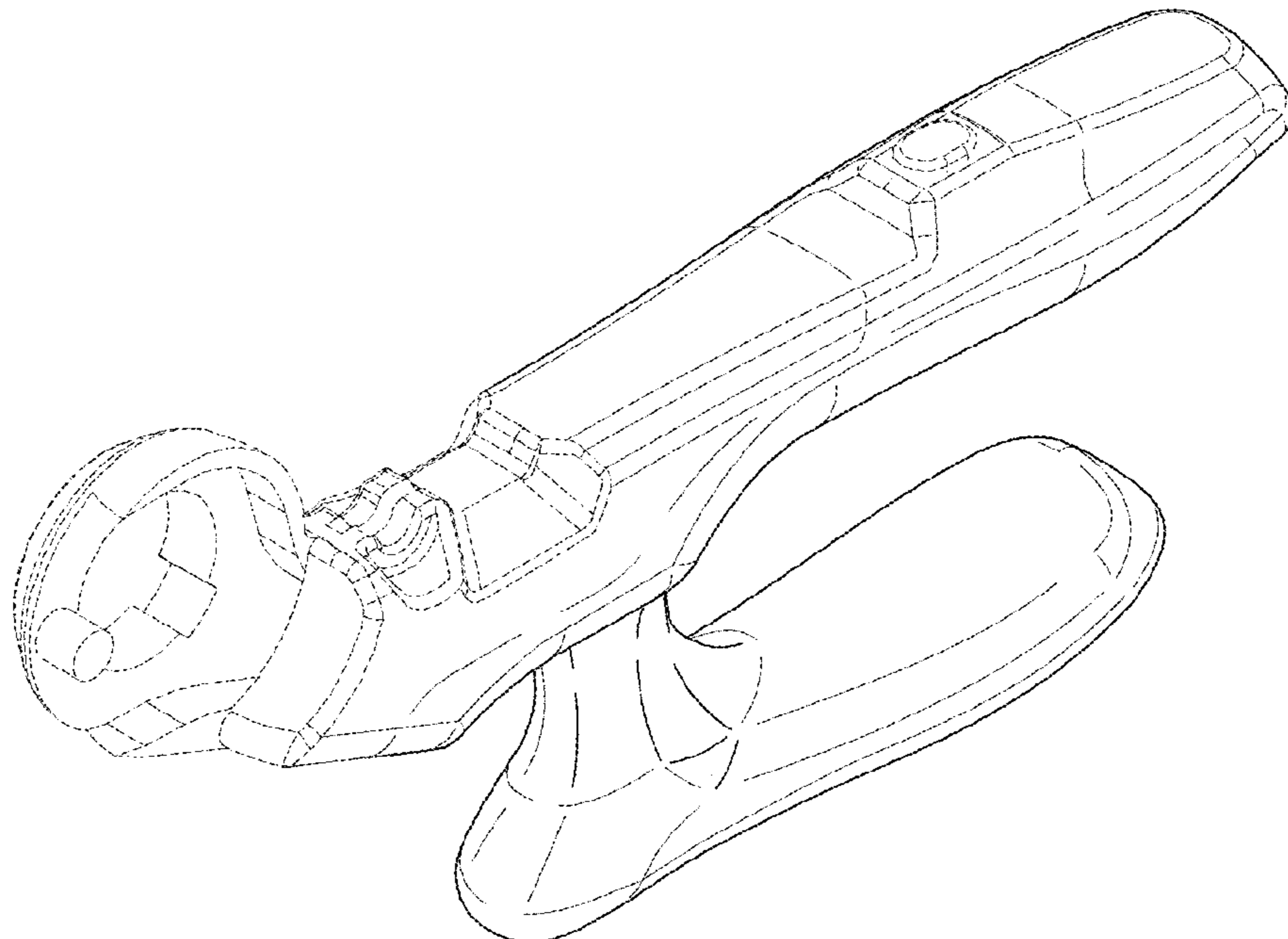
\* cited by examiner

*Primary Examiner* — Philip S Hyder  
(74) *Attorney, Agent, or Firm* — Raymond Y. Chan;  
David and Raymond Patent Firm

(57) **CLAIM**  
The ornamental design for a handle for a cutter, as shown and described.

**DESCRIPTION**  
FIG. 1 is a perspective view of a handle for a cutter, showing my new design;  
FIG. 2 is a front view thereof;  
FIG. 3 is a rear view thereof;  
FIG. 4 is a left view thereof;  
FIG. 5 is a right view thereof;  
FIG. 6 is a top view thereof;  
FIG. 7 is a bottom view thereof; and,  
FIG. 8 is a perspective view of the handle for a cutter, in the environment of a shear.  
The broken line showing of the shear is provided for purposes of environment and forms no part of the claimed design.

**1 Claim, 8 Drawing Sheets**



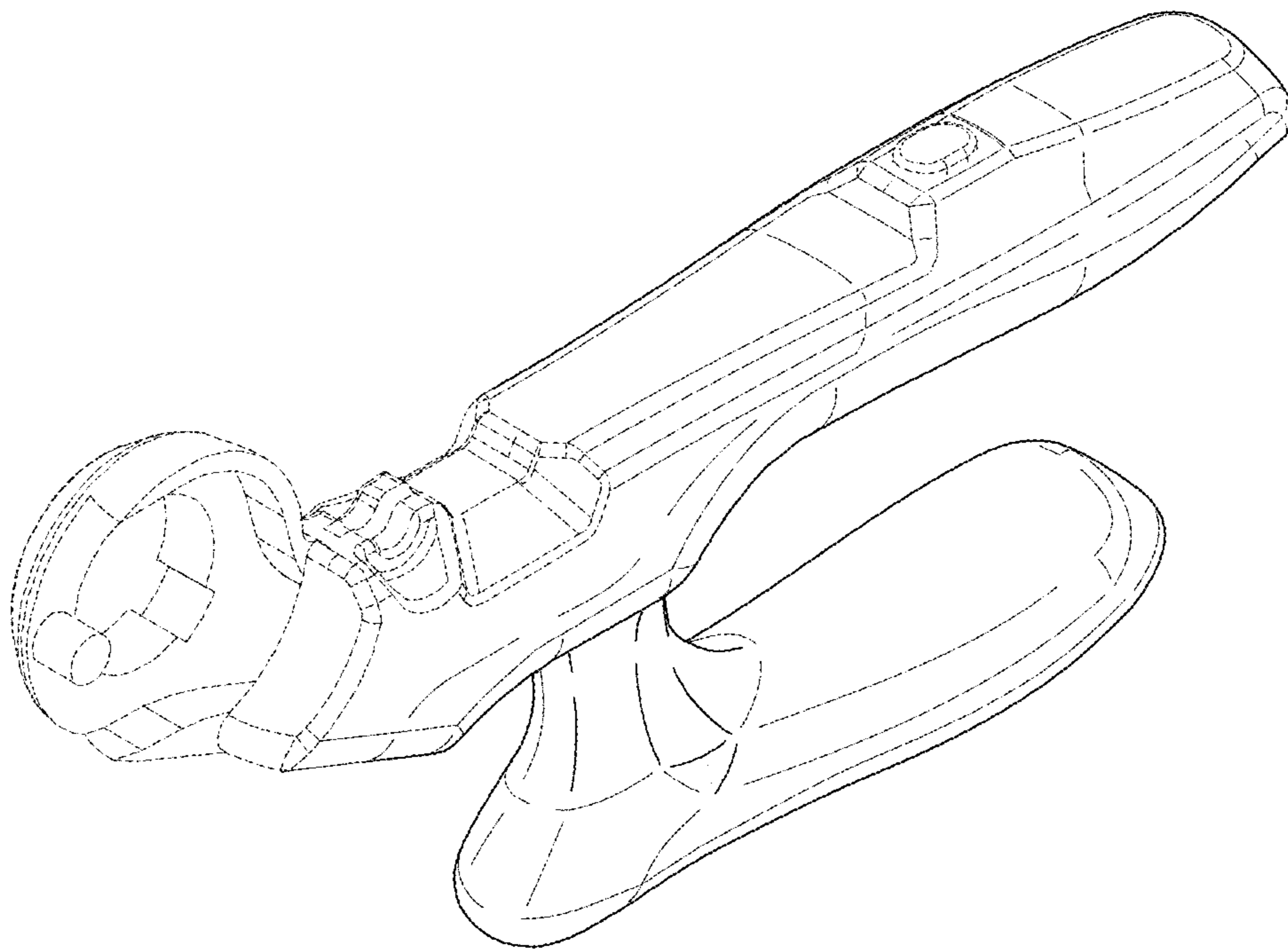


FIG 1

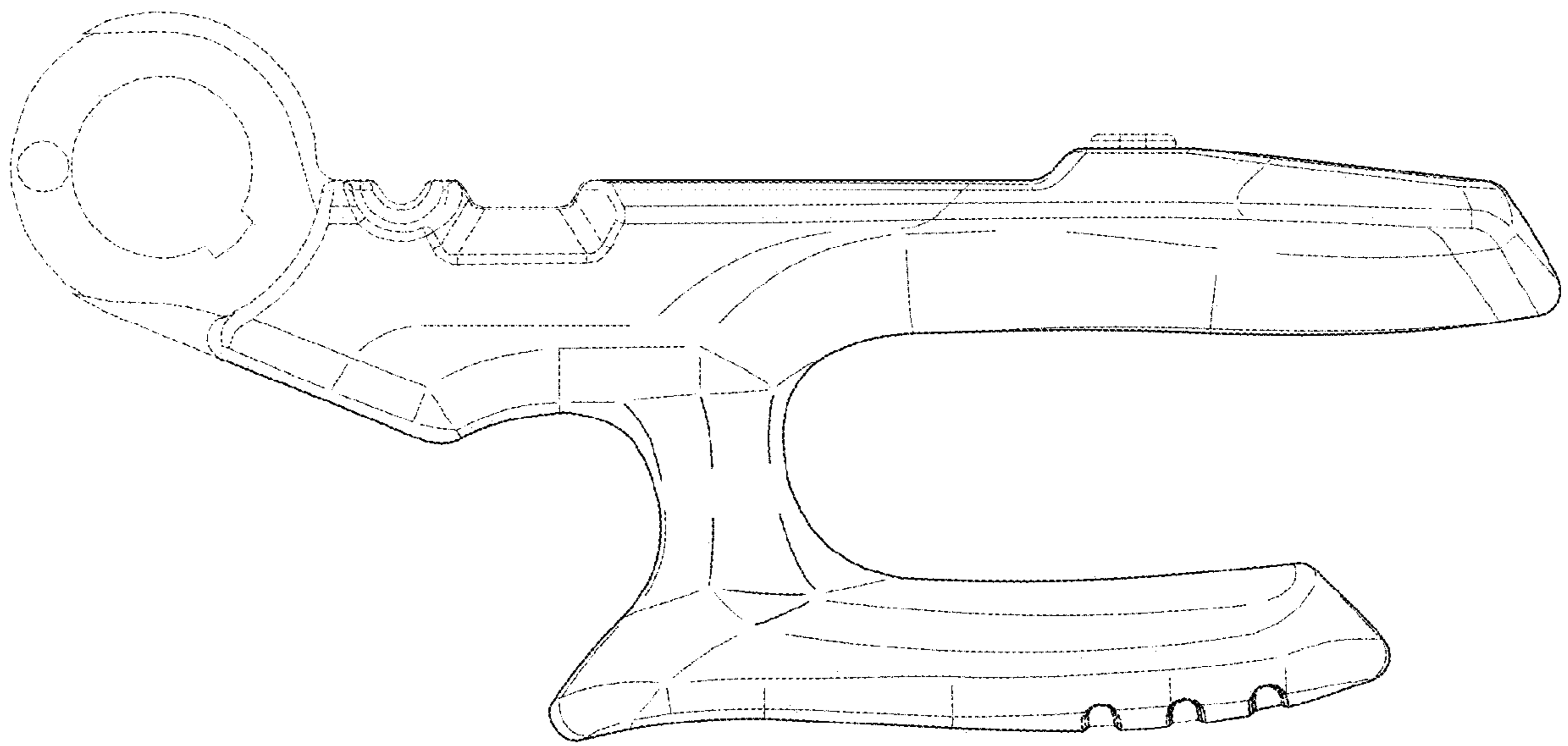


FIG 2

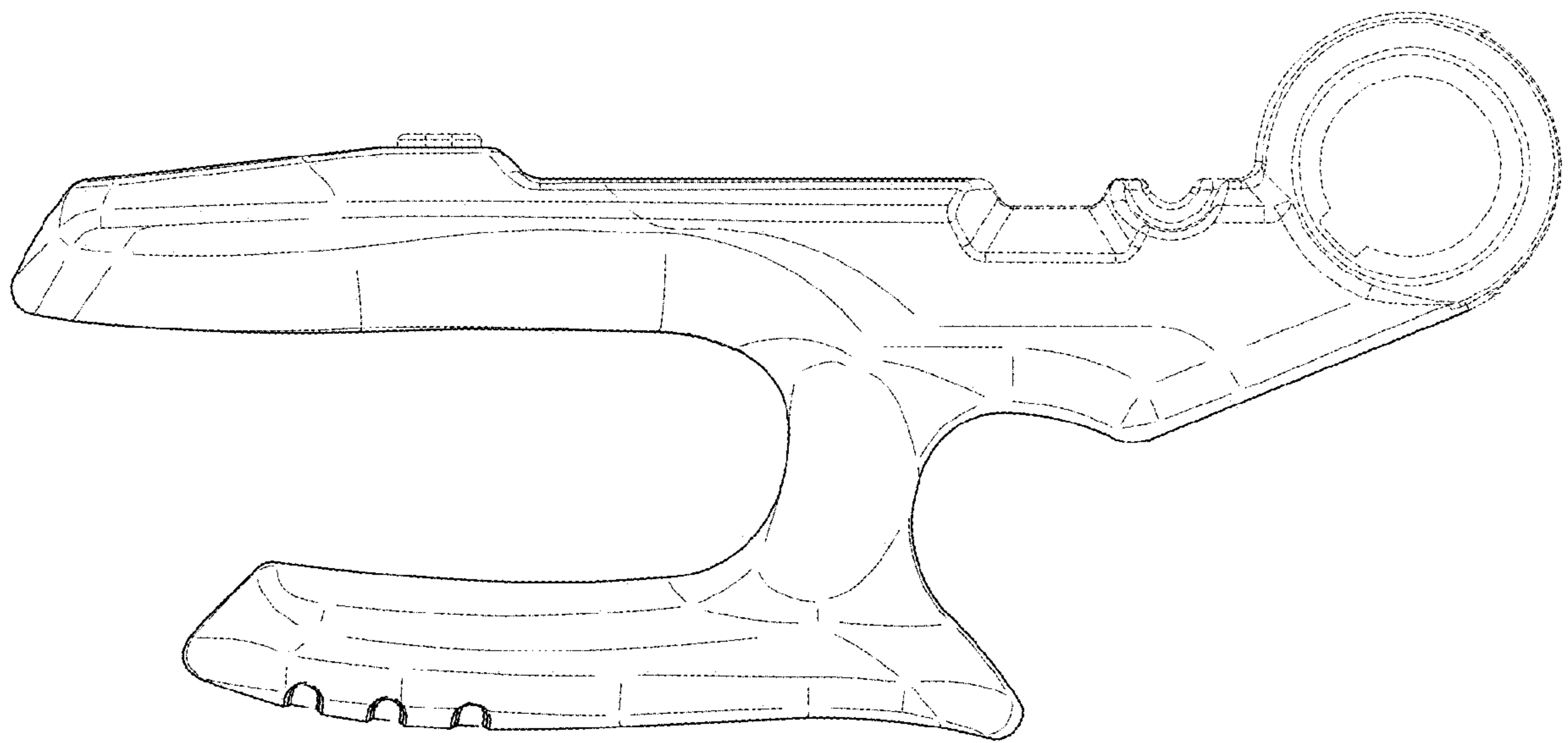


FIG 3

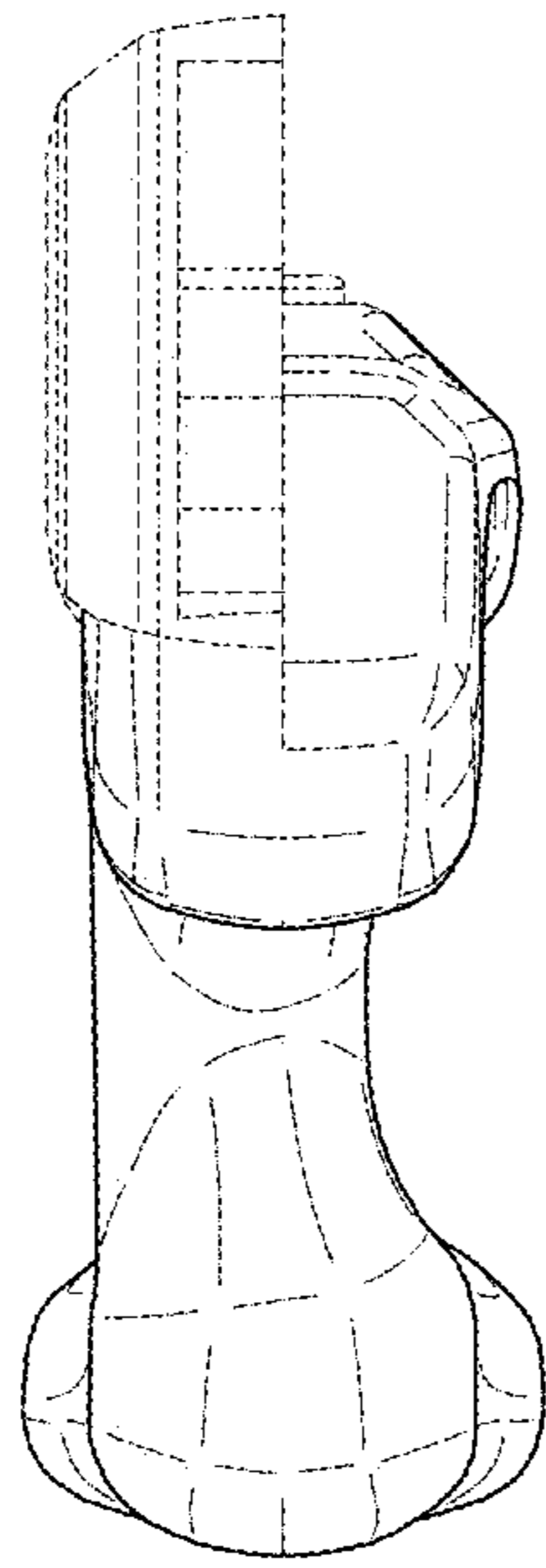


FIG 4

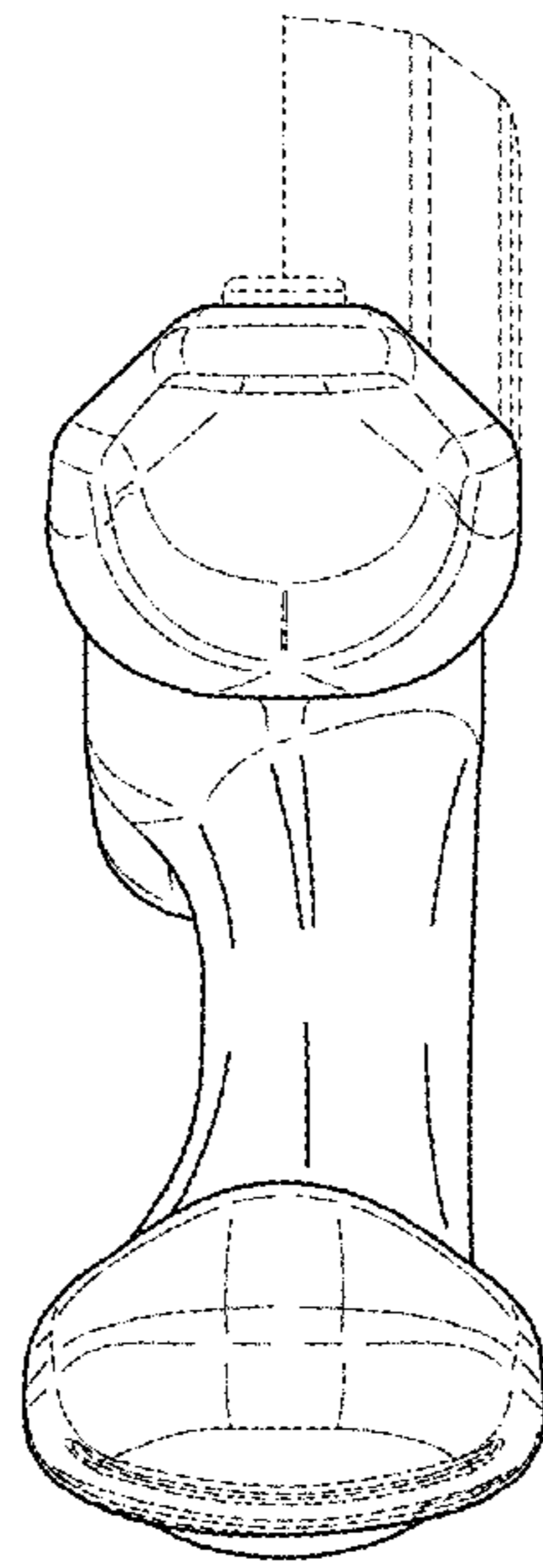


FIG 5

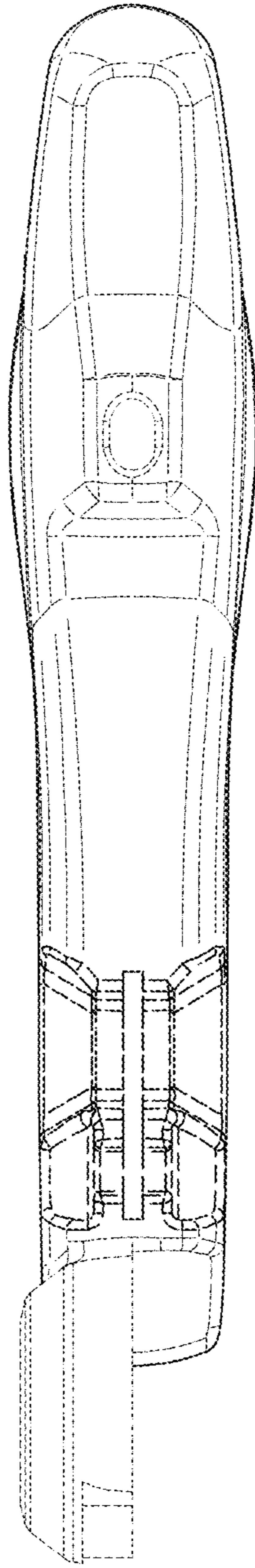


FIG 6

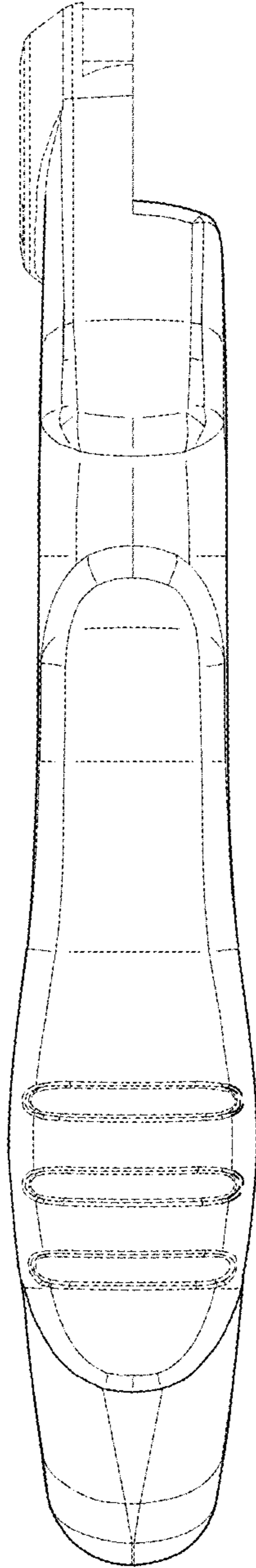


FIG 7



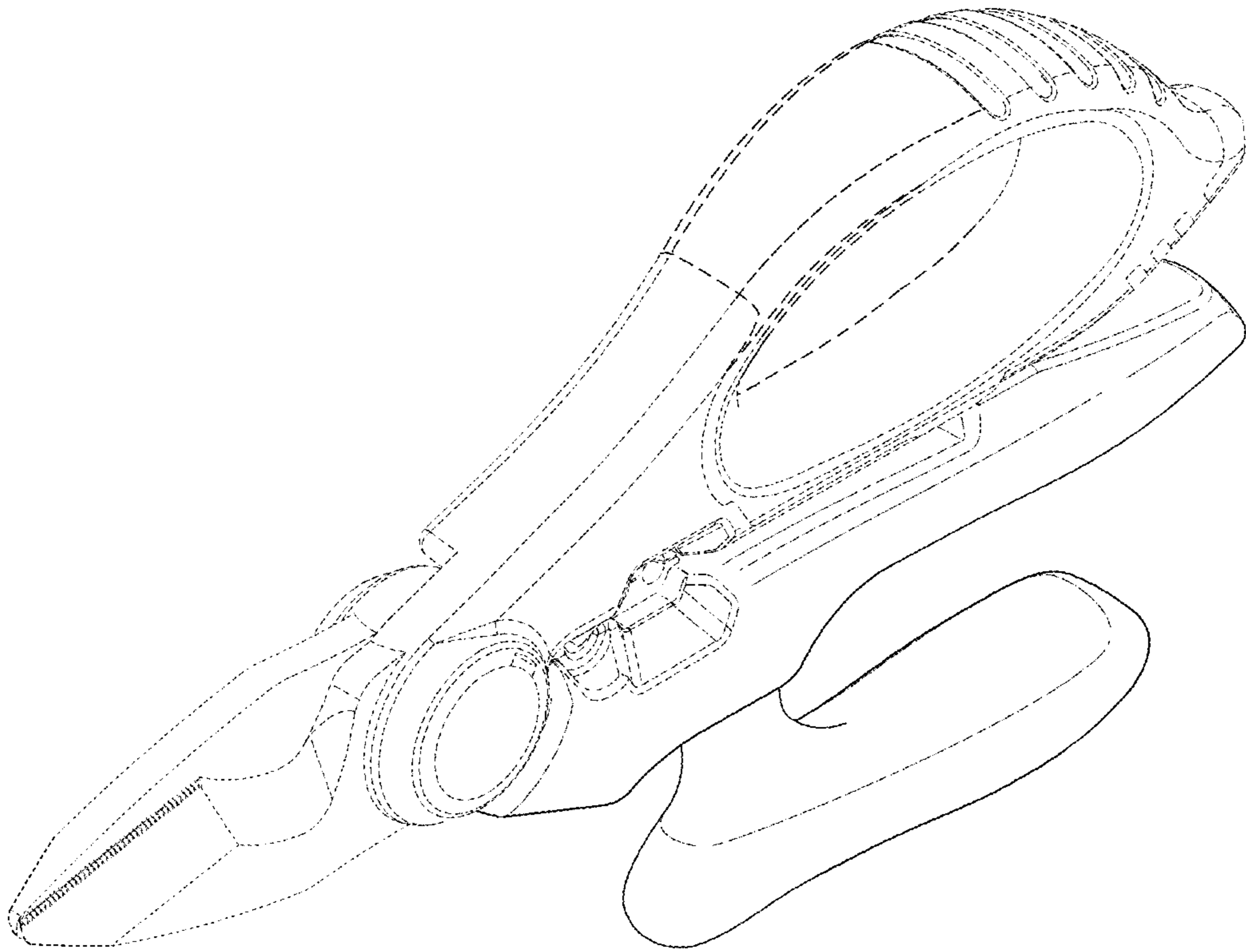


FIG 8