



US00D907980S

(12) **United States Design Patent** (10) **Patent No.:** **US D907,980 S**
Brochman (45) **Date of Patent:** **** Jan. 19, 2021**

(54) CONDUIT BENDER	4,452,064 A * 6/1984 Custin B21D 7/14 72/459
(71) Applicant: Brochman Innovations, LLC , White Bear Lake, MN (US)	4,622,837 A * 11/1986 Bergman B21D 7/063 33/334
(72) Inventor: Todd Brochman , White Bear Lake, MN (US)	4,760,727 A 8/1988 Van Landingham 4,827,755 A * 5/1989 Strybel B21D 7/063 72/388
(73) Assignee: Brochman Innovations, LLC , White Bear Lake, MN (US)	4,843,858 A * 7/1989 Grimm B21D 7/024 72/149
(**) Term: 15 Years	4,926,672 A * 5/1990 Swanson B21D 7/063 72/157
	5,022,249 A 6/1991 Caporusso et al. D326,395 S * 5/1992 Aulgur D8/32
	5,203,192 A 4/1993 Kimura

(Continued)

(21) Appl. No.: **29/676,752**

(22) Filed: **Jan. 14, 2019**

(51) **LOC (13) Cl.** **08-05**

(52) **U.S. Cl.**
USPC **D8/69**

(58) **Field of Classification Search**
USPC D8/14.1, 61-70
CPC B25D 16/00; B25D 17/02; B25D 11/125;
B21F 1/00; B21F 7/06; B21F 7/022;
B21F 7/12
See application file for complete search history.

(56) **References Cited**

U.S. PATENT DOCUMENTS

D173,830 S *	1/1955	Bergman	D8/27
2,709,382 A	5/1955	Safranski		
D188,003 S *	5/1960	Curtiss	D8/32
3,130,633 A	4/1964	Rantsch		
3,336,779 A	8/1967	Schall		
3,680,347 A *	8/1972	Schenck	B21D 11/12 72/217
3,785,190 A	1/1974	Schall et al.		
3,889,508 A *	6/1975	Sugita	B21D 7/022 72/215
4,249,407 A	2/1981	Fogleman		
4,269,056 A	5/1981	Kozinski		
4,442,695 A *	4/1984	Gardner	H02G 1/00 72/31.1

OTHER PUBLICATIONS

actoolsupply.com Sales Brochure, 2 pages, accessed Sep. 2018.

Primary Examiner — Darlington Ly
(74) *Attorney, Agent, or Firm* — Patterson Thuent Pedersen, P.A.

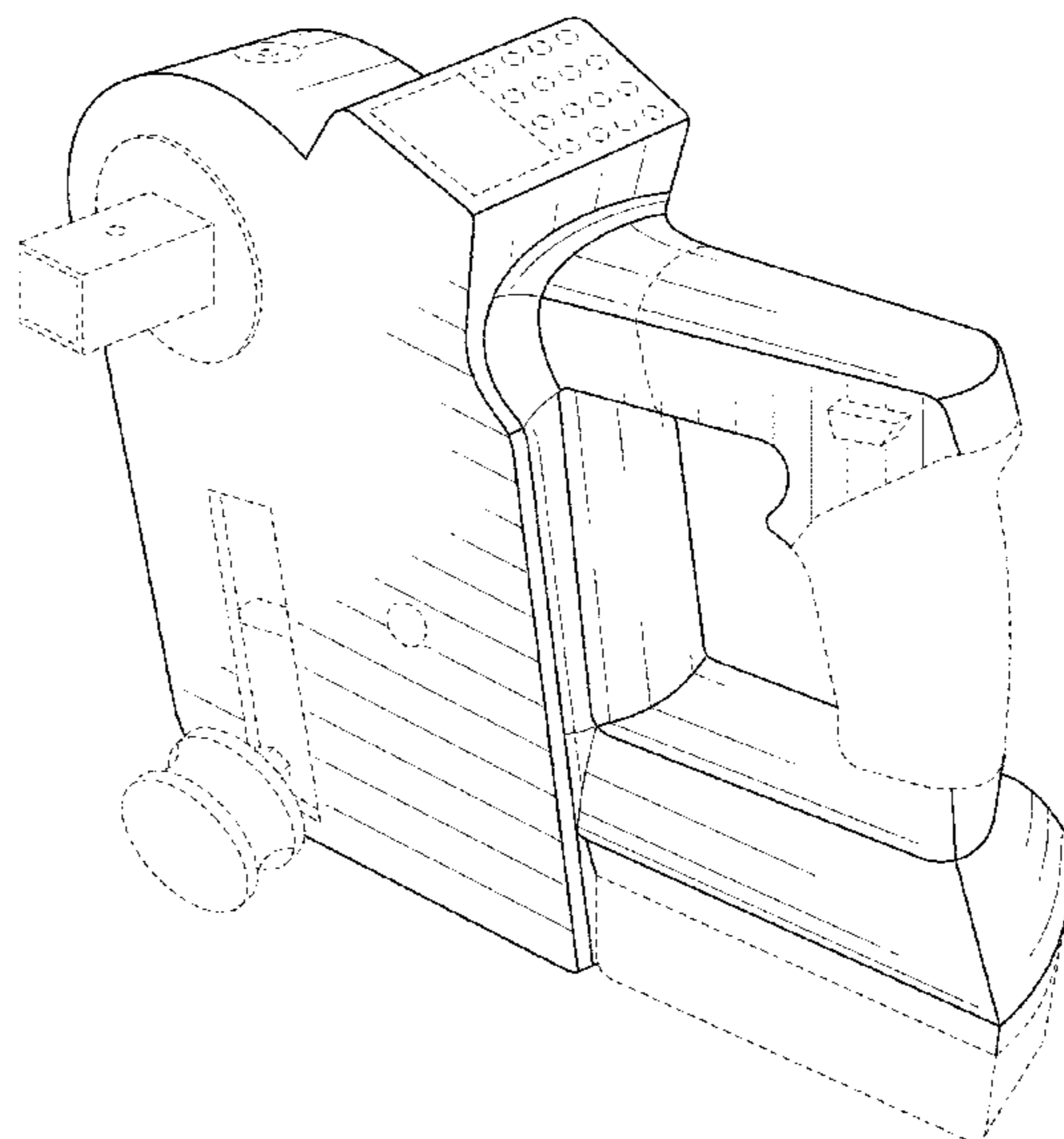
(57) **CLAIM**

The ornamental design for a conduit bender, as shown and described.

DESCRIPTION

FIG. 1 is a perspective view of a conduit bender showing my new design;
FIG. 2 is a left side elevation view thereof;
FIG. 3 is a right side elevation view thereof;
FIG. 4 is a front elevation view thereof;
FIG. 5 is a top plan view thereof; and,
FIG. 6 is a perspective view thereof when coupled to a bender shoe and a remote user interface.
The broken lines in the drawings illustrate portions of the conduit bender and environmental structure of a bender shoe with remote user interface that form no part of the claimed design.

1 Claim, 6 Drawing Sheets



(56)

References Cited

U.S. PATENT DOCUMENTS

5,305,223 A 4/1994 Saegusa
5,727,419 A * 3/1998 Walsten B21D 7/063
16/422
D410,658 S * 6/1999 Walsten D15/123
6,026,668 A * 2/2000 Oda B21D 7/022
72/217
6,463,780 B1 * 10/2002 Kalanish B21D 7/063
72/217
6,609,405 B1 * 8/2003 Bates B21D 7/022
72/217
7,024,905 B1 4/2006 Carlson et al.
7,143,629 B1 * 12/2006 Chiu B21D 7/063
72/459
7,234,338 B2 * 6/2007 Mirtz B21D 7/021
72/459
7,293,362 B2 * 11/2007 Konen B23D 29/002
30/388

7,900,495 B2 * 3/2011 Latoria B21D 7/06
72/458
D645,061 S * 9/2011 Plummer D15/28
8,333,097 B1 * 12/2012 Frear B21D 11/12
72/217
8,511,131 B2 8/2013 Latoria
8,991,229 B1 * 3/2015 Cheng B21D 7/025
72/149
9,156,075 B2 * 10/2015 Houle B21D 7/063
9,662,698 B2 * 5/2017 Chuang B21D 7/024
9,718,108 B2 * 8/2017 Latoria B21D 11/12
9,968,976 B2 * 5/2018 Klinger B21D 7/14
10,441,984 B1 * 10/2019 Brochman B21D 7/063
10,518,310 B2 * 12/2019 Tang B21D 7/024
D872,602 S * 1/2020 Doeren D10/65
2008/0190164 A1 * 8/2008 Boon B23B 47/00
72/217
2009/0188291 A1 * 7/2009 Itrich B21D 7/063
72/149
2013/0180053 A1 7/2013 Rubin et al.
2017/0274437 A1 * 9/2017 Klinger B21D 7/14

* cited by examiner

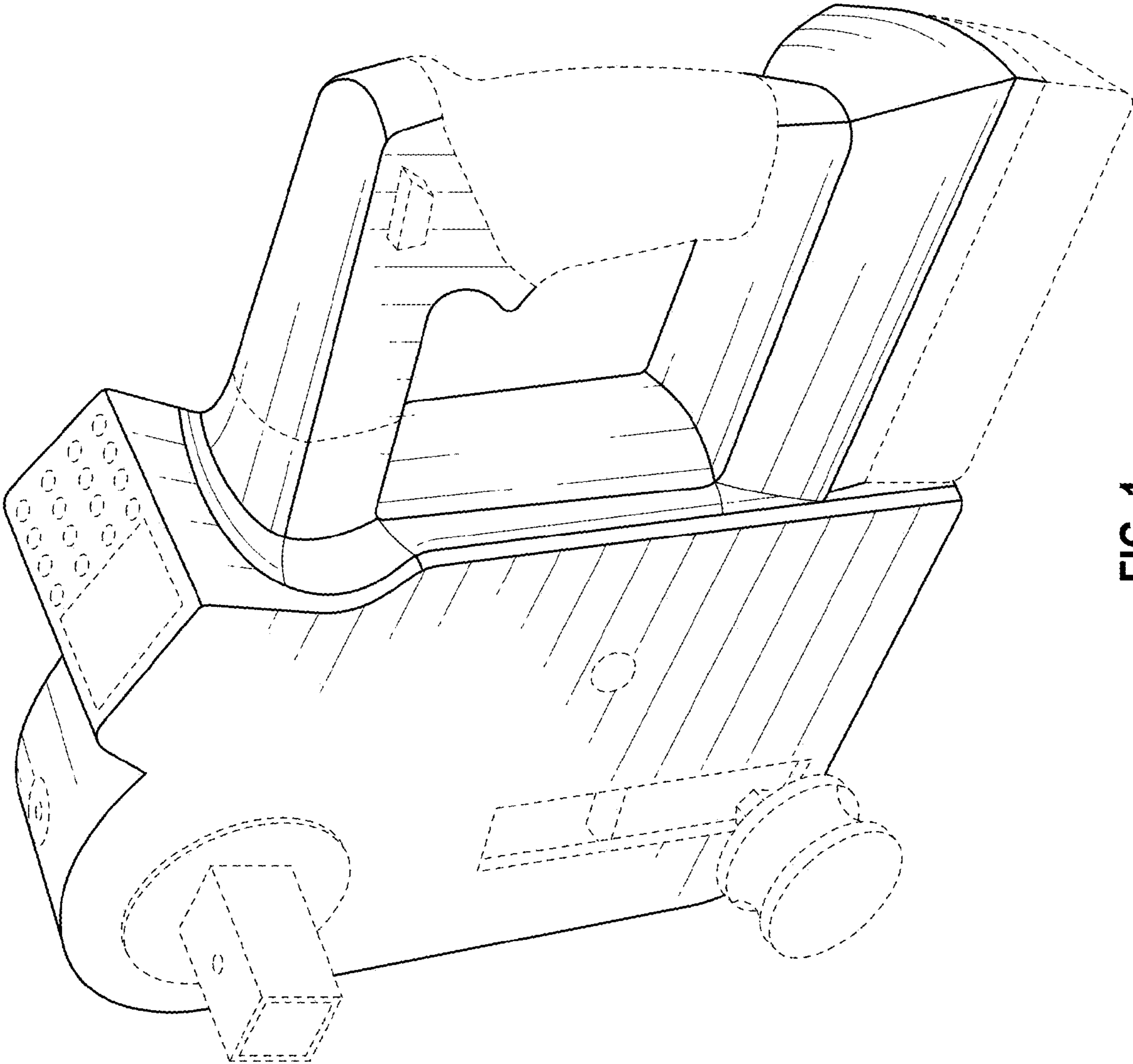


FIG. 1

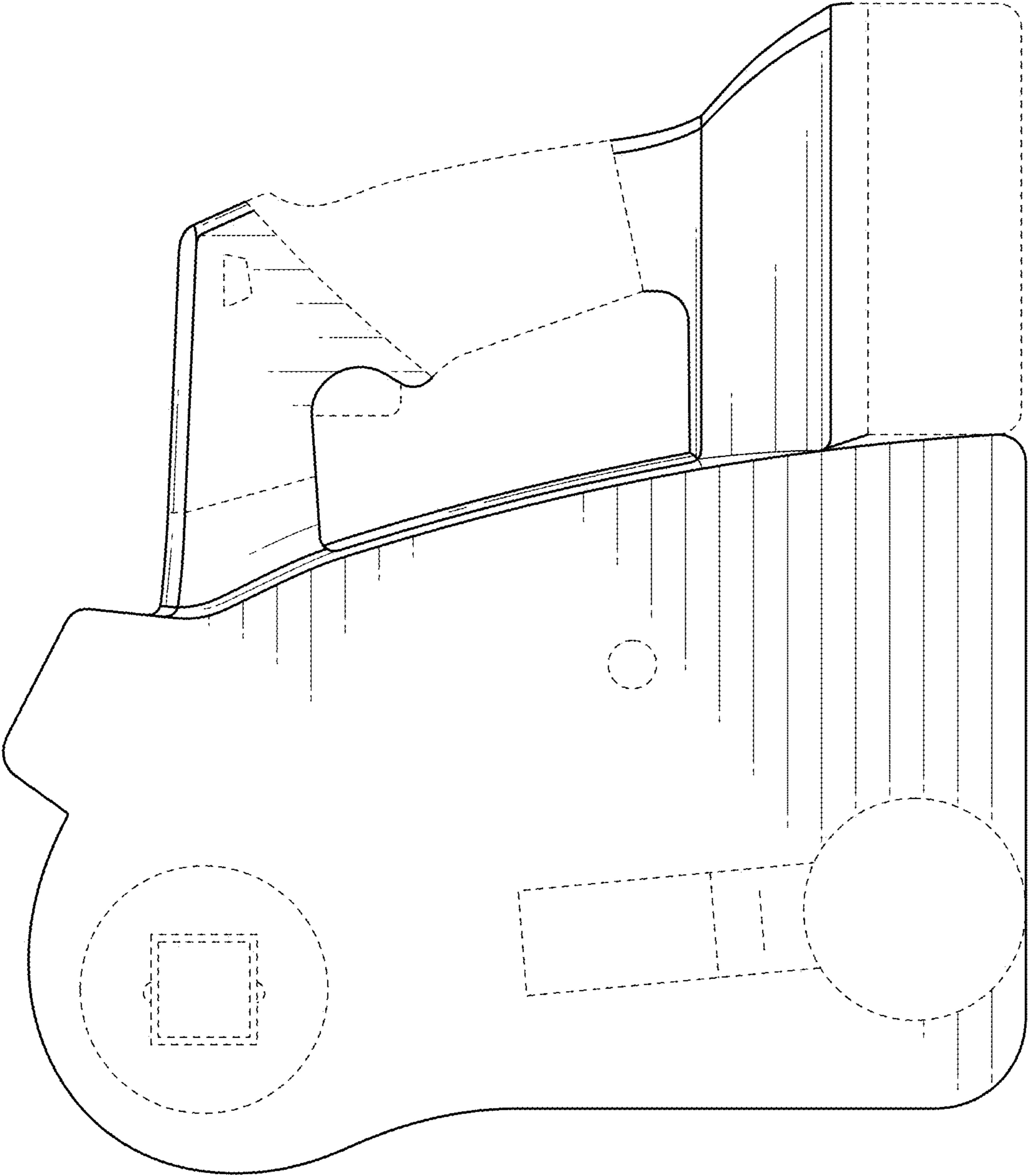


FIG. 2

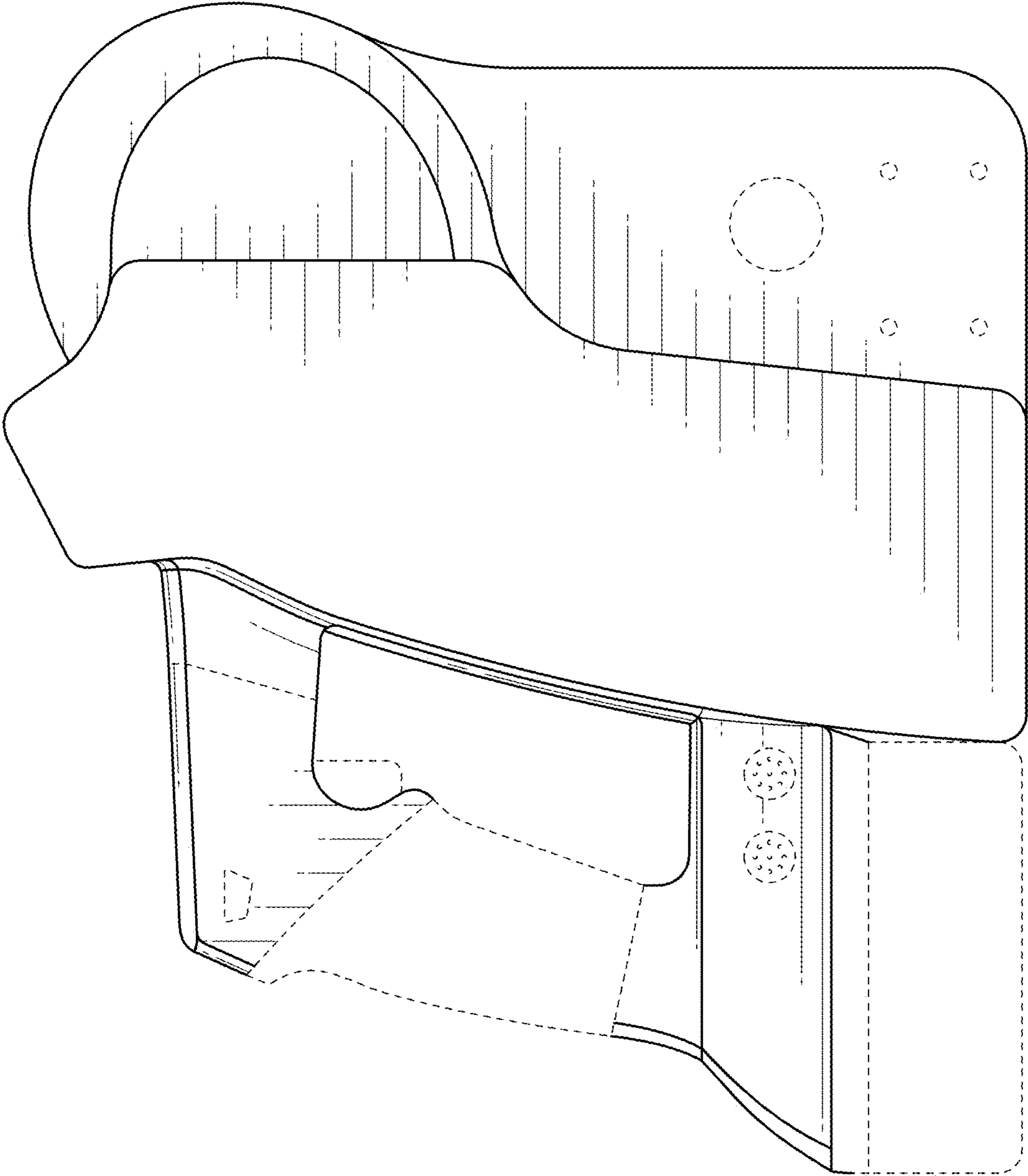


FIG. 3

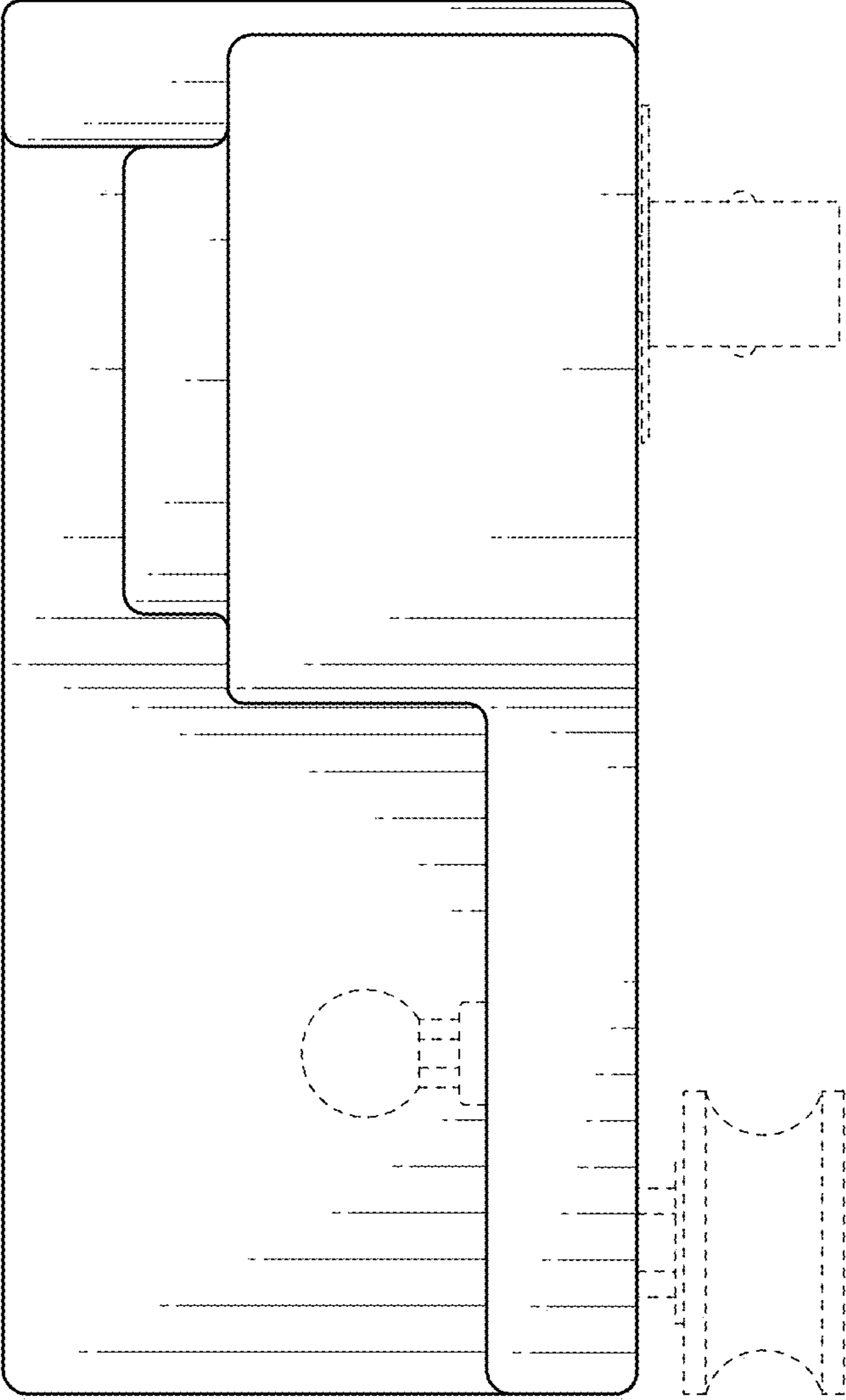


FIG. 4

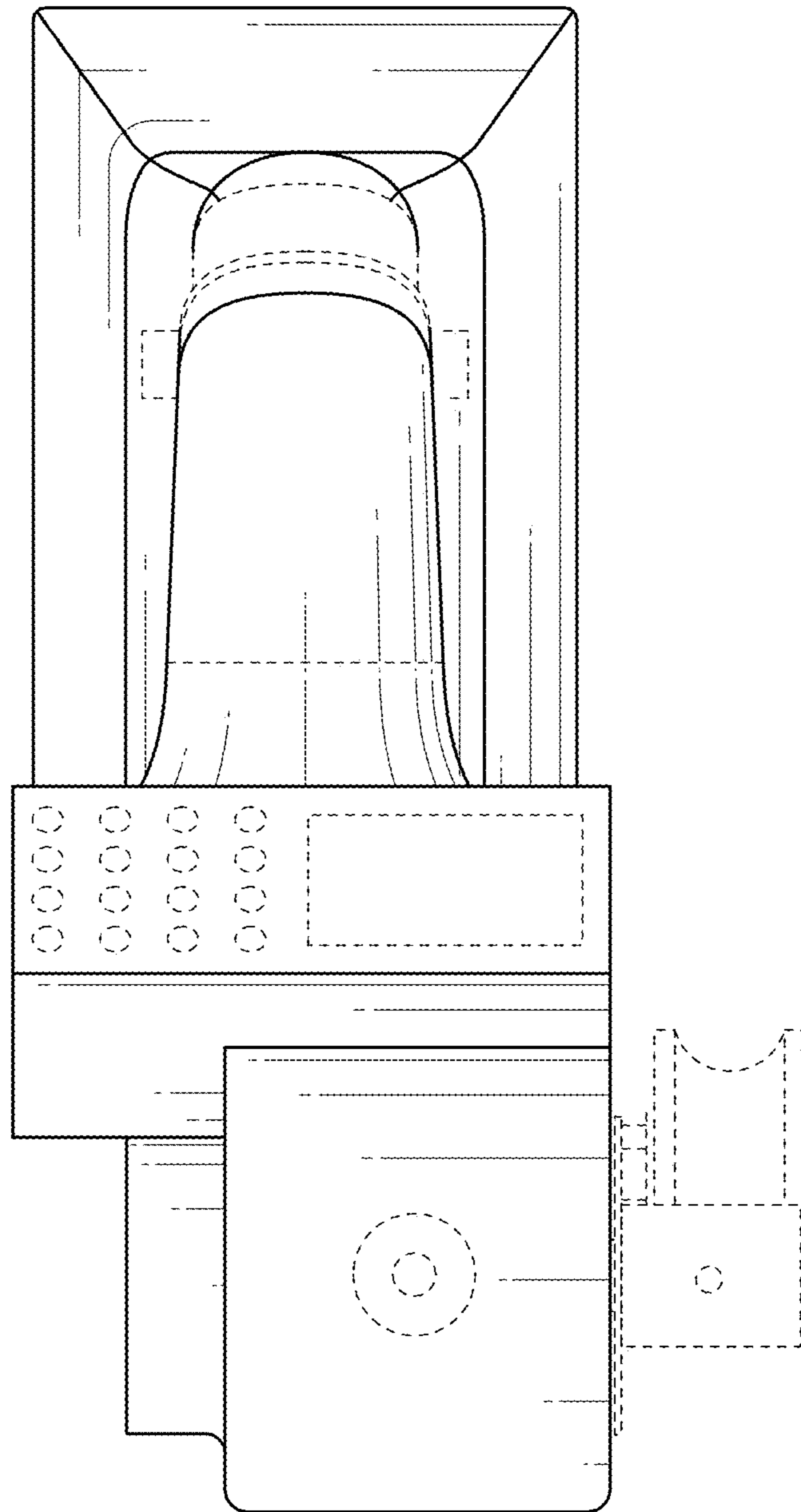


FIG. 5

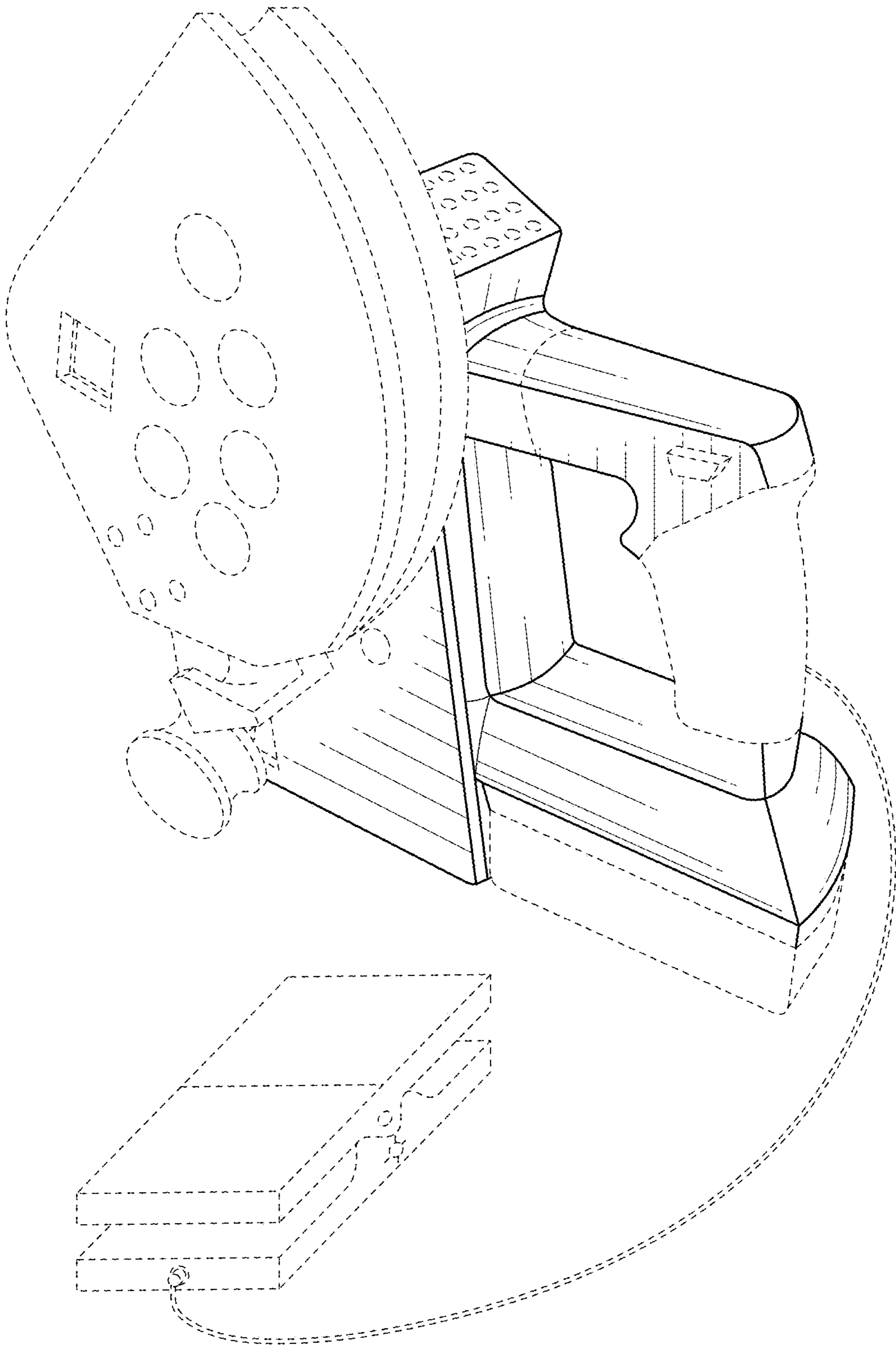


FIG. 6