



US00D907979S

(12) **United States Design Patent**
Nakamura et al.

(10) **Patent No.:** **US D907,979 S**

(45) **Date of Patent:** **** *Jan. 19, 2021**

- (54) **ELECTRIC RIVETER**
- (71) Applicant: **MAKITA CORPORATION**, Anjo (JP)
- (72) Inventors: **Kento Nakamura**, Anjo (JP); **Takao Kuroyanagi**, Anjo (JP)
- (73) Assignee: **MAKITA CORPORATION**, Anjo (JP)
- (*) Notice: This patent is subject to a terminal disclaimer.
- (**) Term: **15 Years**
- (21) Appl. No.: **29/638,397**
- (22) Filed: **Feb. 27, 2018**

6,732,563 B1 * 5/2004 Chen B21J 15/043
29/243.53

6,978,526 B1 * 12/2005 Lin B21J 15/105
29/243.523

D515,377 S * 2/2006 Chung D8/68

D521,339 S * 5/2006 Chen D8/68

D521,340 S * 5/2006 Lin D8/68

(Continued)

Primary Examiner — Darlington Ly

(74) *Attorney, Agent, or Firm* — Global IP Counselors, LLP

(57) **CLAIM**

The ornamental design for an electric riveter, as shown and described.

DESCRIPTION

(30) **Foreign Application Priority Data**

Sep. 1, 2017 (JP) 2017-018923

(51) **LOC (13) Cl.** **08-05**

(52) **U.S. Cl.**
USPC **D8/68**

(58) **Field of Classification Search**
USPC D8/61, 67, 68
CPC . B21J 15/043; B21J 15/22; B21J 15/36; B21J 15/326
See application file for complete search history.

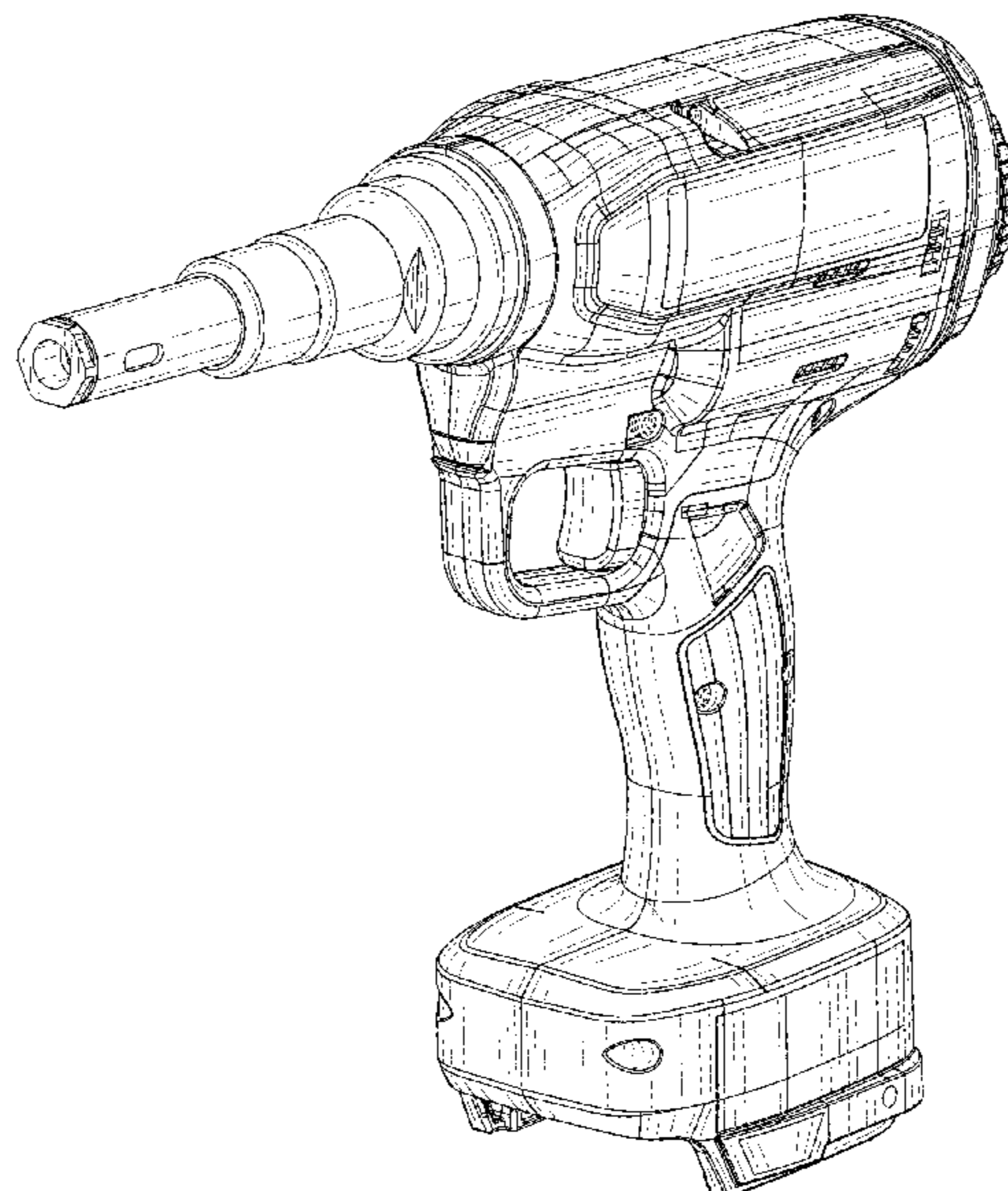
FIG. 1 is a front perspective view of an electric riveter in accordance with our new design;
 FIG. 2 is a rear perspective view of the electric riveter in accordance with our new design;
 FIG. 3 is a front elevational view of the electric riveter in accordance with our new design;
 FIG. 4 is a rear elevational view of the electric riveter in accordance with our new design;
 FIG. 5 is a top plan view of the electric riveter in accordance with our new design;
 FIG. 6 is a bottom plan view of the electric riveter in accordance with our new design;
 FIG. 7 is a right side elevational view of the electric riveter in accordance with our new design;
 FIG. 8 is a left side elevational view of the electric riveter in accordance with our new design; and,
 FIG. 9 is a front perspective view of the electric riveter in accordance with our new design showing when a rechargeable battery is attached to the electric riveter.
 The broken lines in the drawings illustrate portions of the electric riveter and environmental rechargeable battery that form no part of the claimed design.

(56) **References Cited**

U.S. PATENT DOCUMENTS

- D198,230 S * 5/1964 Babel D8/68
- D256,658 S * 9/1980 Ewig D8/61
- 4,571,976 A * 2/1986 Schwab B25B 27/0014
72/114
- 5,100,023 A * 3/1992 Varian B21J 15/105
221/239
- 6,276,037 B1 * 8/2001 Solfronk B21J 15/105
29/243.525
- D462,883 S * 9/2002 Steiner D8/68

1 Claim, 9 Drawing Sheets



(56)

References Cited

U.S. PATENT DOCUMENTS

7,082,657 B1 * 8/2006 Lin B21J 15/043
29/243.523
7,284,404 B2 * 10/2007 Lin B25B 27/0014
29/243.525
7,818,858 B2 * 10/2010 Daniels F16G 3/16
198/844.2
D681,413 S * 5/2013 Kita D8/61
8,443,512 B2 * 5/2013 Masugata B21J 15/26
29/715

* cited by examiner

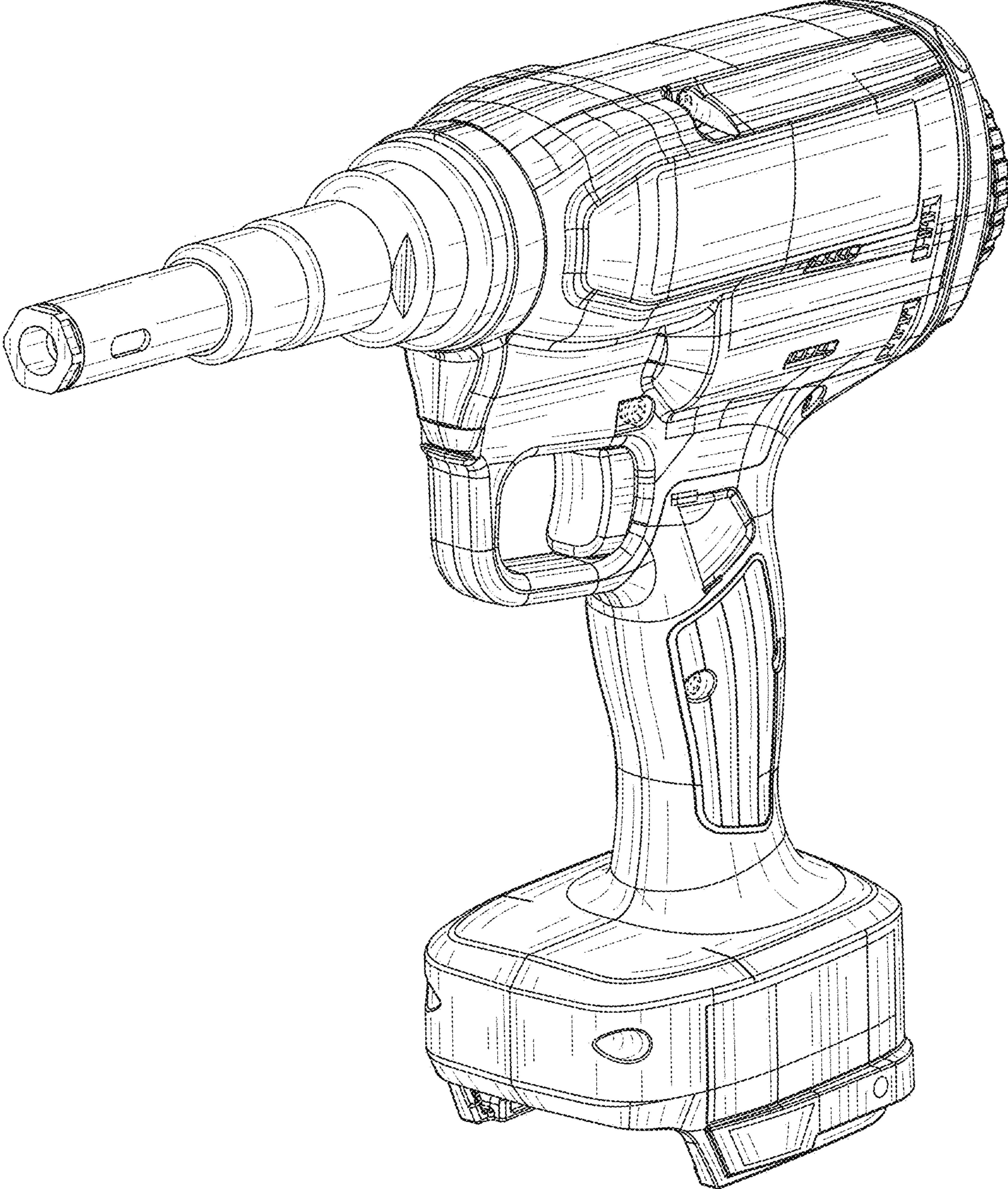


FIG. 1

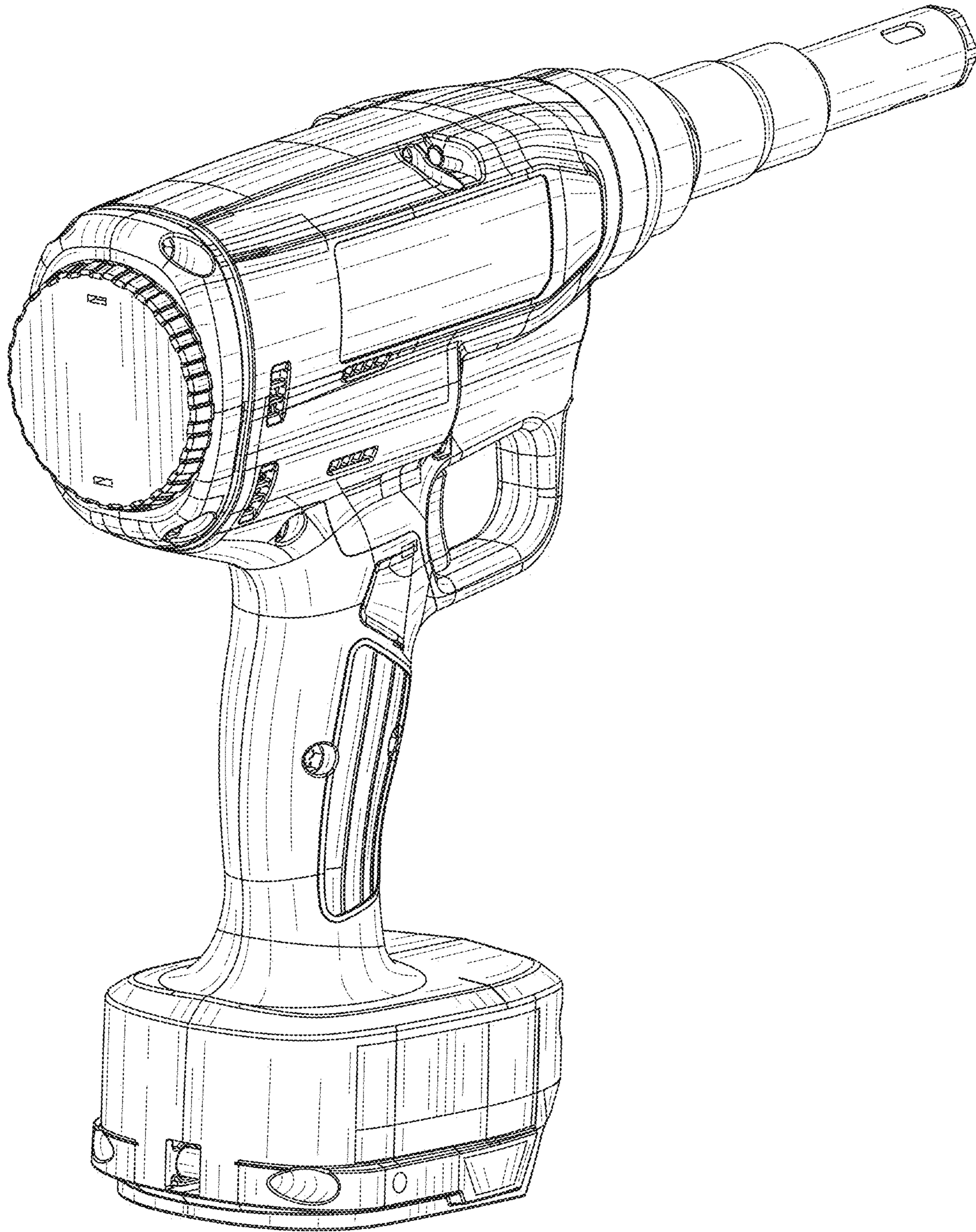


FIG. 2

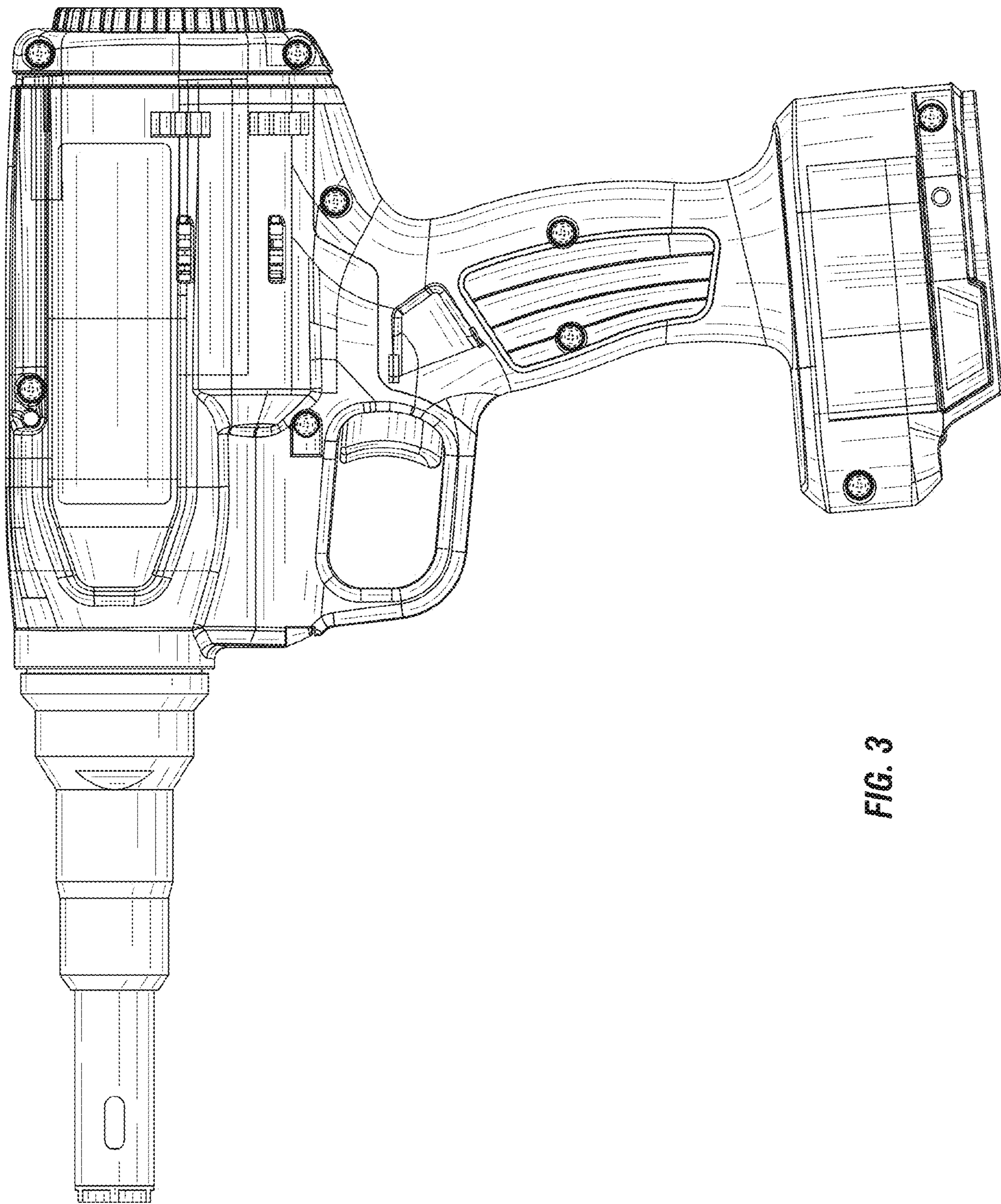
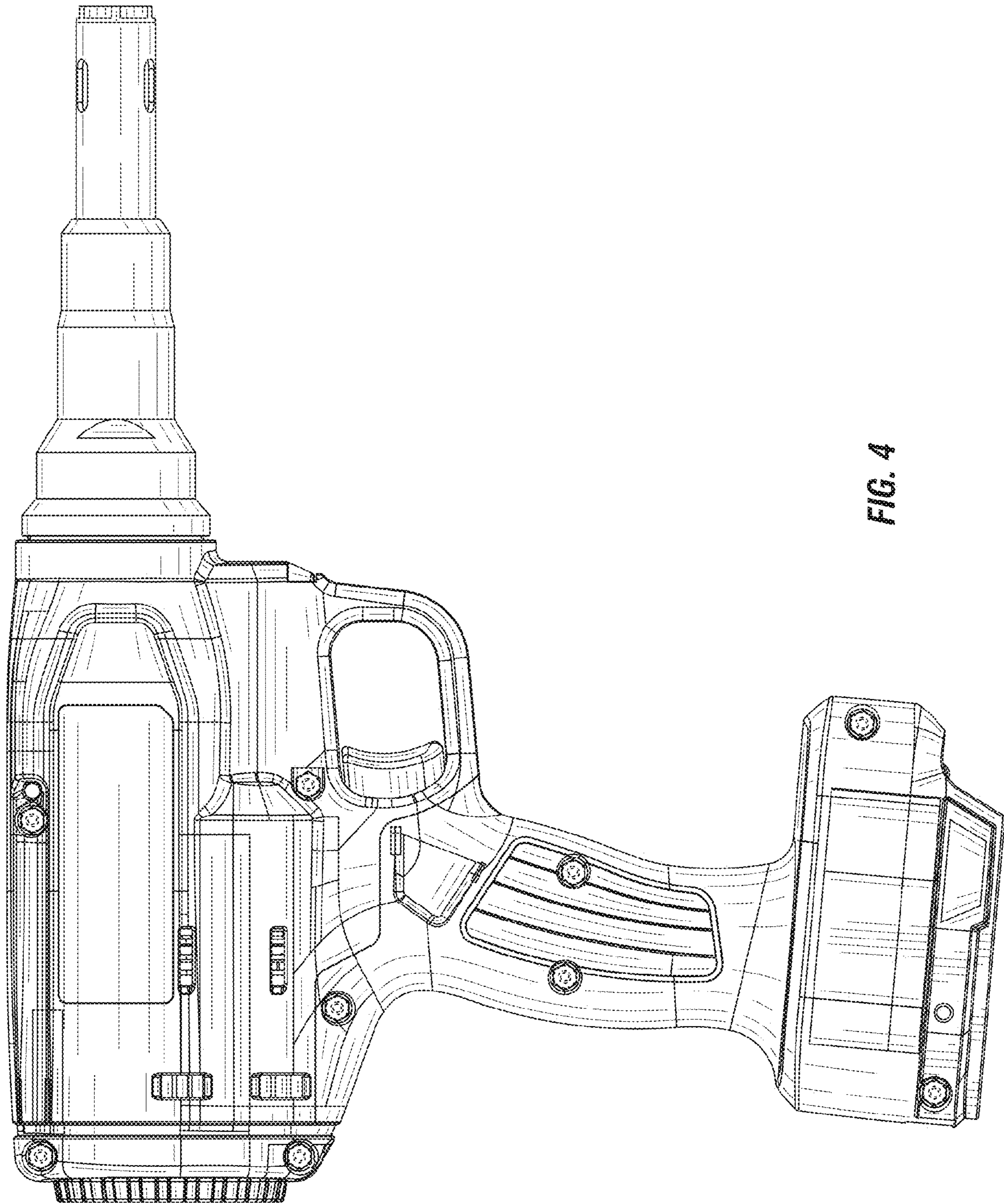


FIG. 3



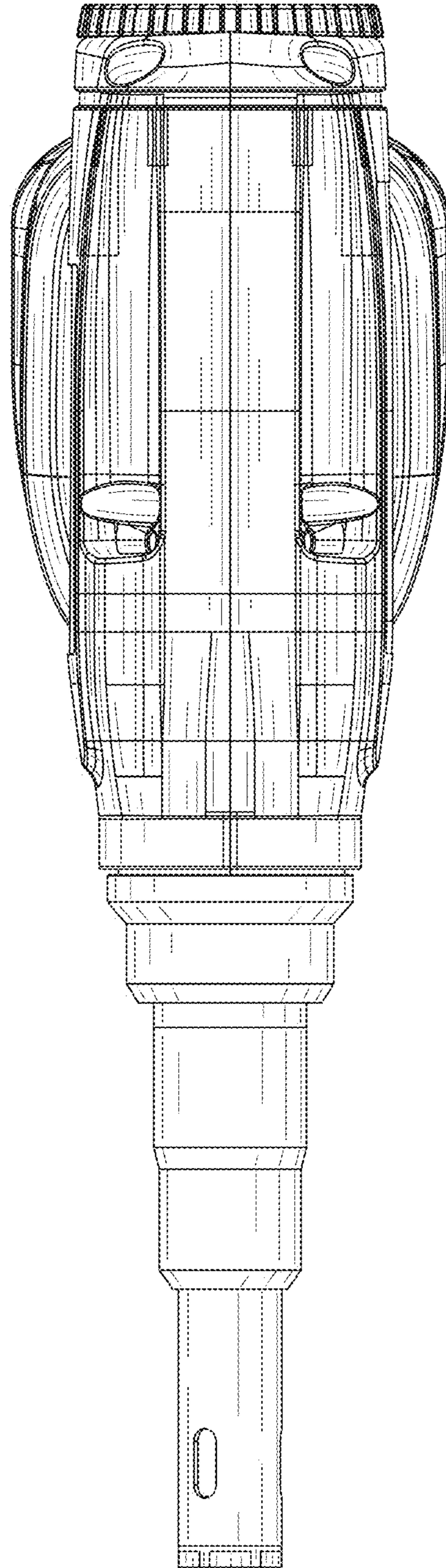


FIG. 5

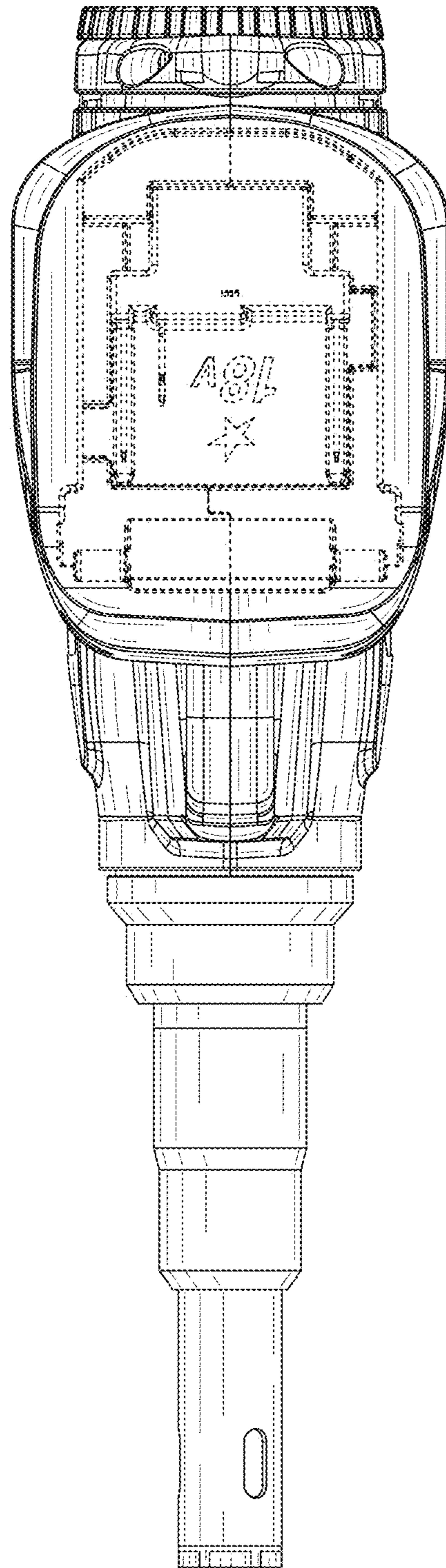


FIG. 6

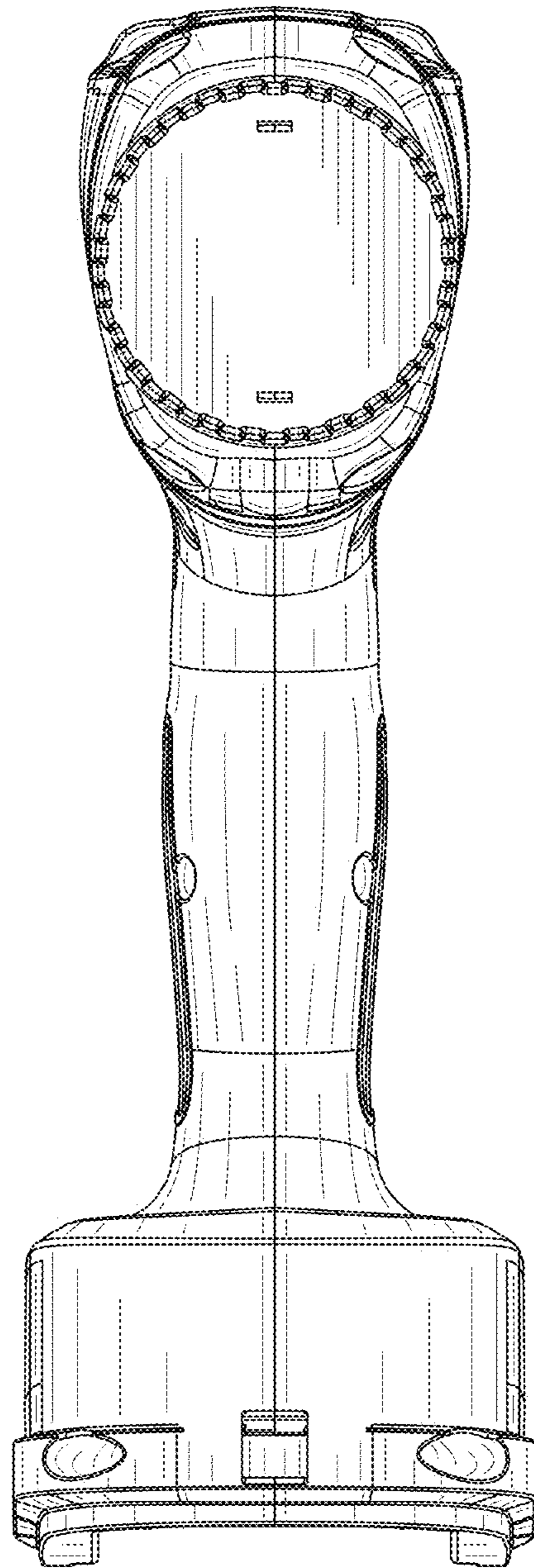


FIG. 7

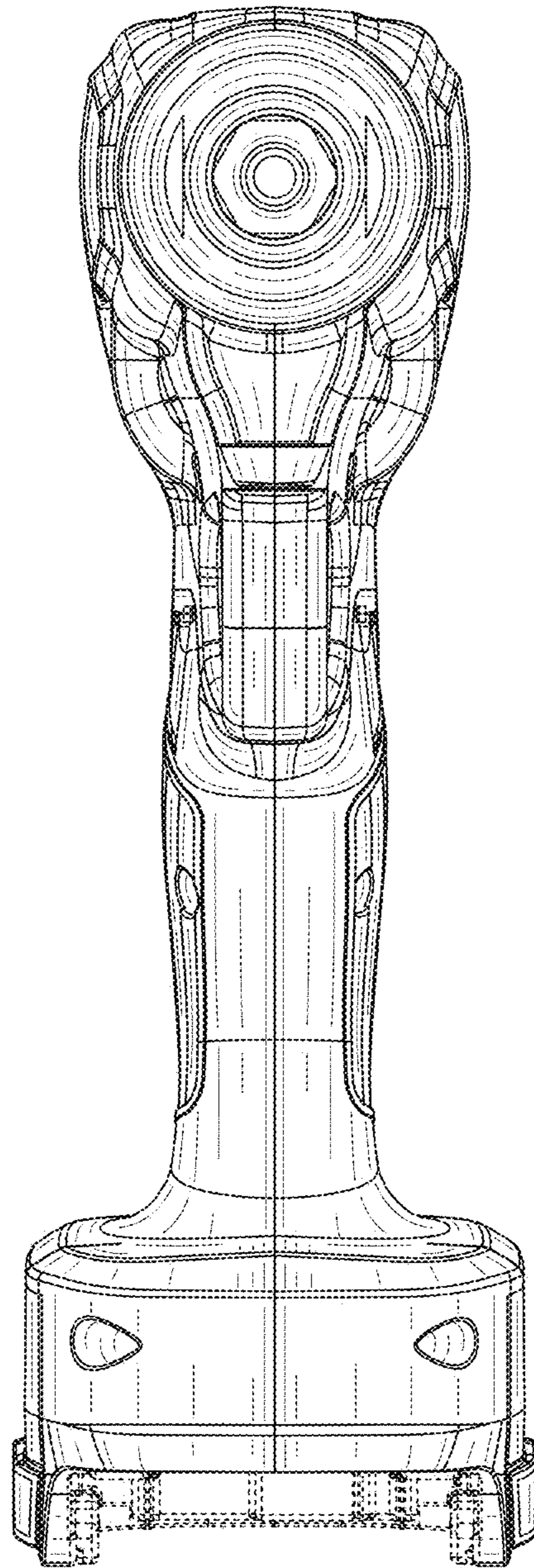


FIG. 8

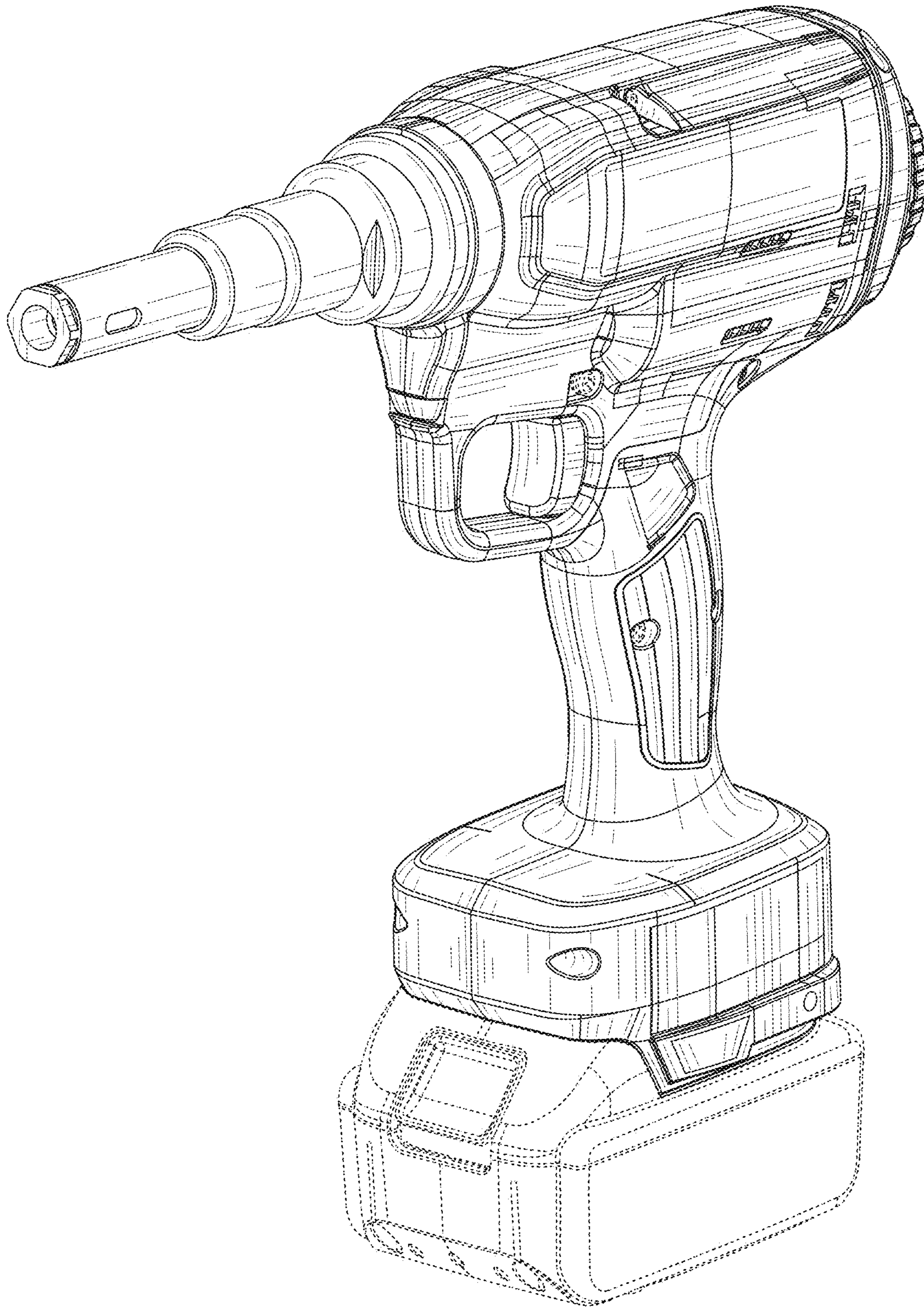


FIG. 9