



US00D907978S

(12) **United States Design Patent**
Schaefer et al.

(10) **Patent No.:** **US D907,978 S**
(45) **Date of Patent:** **** Jan. 19, 2021**

(54) **CUTTING TOOL HOUSING**

(71) Applicant: **Hubbell Incorporated**, Shelton, CT
(US)

(72) Inventors: **Kurt Randall Schaefer**, Nashua, NH
(US); **Cameron Michael-Daniel
Torrey**, Lancaster, NH (US); **Thomas
Romeo Faucher**, Manchester, NH (US)

(73) Assignee: **Hubbell Incorporated**, Shelton, CT
(US)

(**) Term: **15 Years**

(21) Appl. No.: **29/689,900**

(22) Filed: **May 2, 2019**

(51) **LOC (13) Cl.** **08-05**

(52) **U.S. Cl.**
USPC **D8/61; D8/98; D8/107**

(58) **Field of Classification Search**
USPC ... D8/51, 52, 55, 57, 58, 61, 68, 70, 82, 85,
D8/86, 87, 98, 105; D15/139; D21/398
CPC B25B 7/12; B25B 7/126; B25B 27/00;
B25B 27/10; B25B 27/146; B25B 28/00;
H01R 43/0428

See application file for complete search history.

(56) **References Cited**

U.S. PATENT DOCUMENTS

D386,660	S	*	11/1997	Hirabayashi	D8/61
D487,216	S	*	3/2004	Arvidsson	D8/61
D572,554	S	*	7/2008	Chen	D8/61
D639,628	S	*	6/2011	Zhou	D8/61
D657,220	S	*	4/2012	Isobe	D8/61
D657,221	S	*	4/2012	Isobe	D8/61
D716,124	S	*	10/2014	Kamijyo	D8/61
D718,108	S	*	11/2014	Beukema	D8/61
D767,959	S	*	10/2016	Sokat	D8/61
D807,146	S	*	1/2018	Werdowatz	D8/107
D815,775	S	*	4/2018	Giannelli	D28/48
D832,670	S	*	11/2018	Uchiyama	D8/61

D834,908	S	*	12/2018	Konnecke	D8/61
D835,487	S	*	12/2018	Wason	D8/61
D859,949	S	*	9/2019	Wason	D8/61
D861,455	S	*	10/2019	Chang	D8/107
D891,214	S	*	7/2020	Lu	D8/61
D892,592	S	*	8/2020	Patil	B25F 1/04 D8/107

(Continued)

OTHER PUBLICATIONS

Greenlee Textron Inc, Battery Ratchet Cutter; Brochure; www.
greenlee.com; Apr. 2018; 1 pg.

Primary Examiner — Michael C Stout

Assistant Examiner — Fritzgerald L Butac

(74) *Attorney, Agent, or Firm* — Wissing Miller LLP

(57) **CLAIM**

The ornamental design for a cutting tool housing, as shown
and described.

DESCRIPTION

FIG. 1 is a top front perspective view of a first side of the
new design for a cutting tool housing in accordance with the
present invention;

FIG. 2 is a top rear perspective view of a second side of the
cutting tool housing shown in FIG. 1;

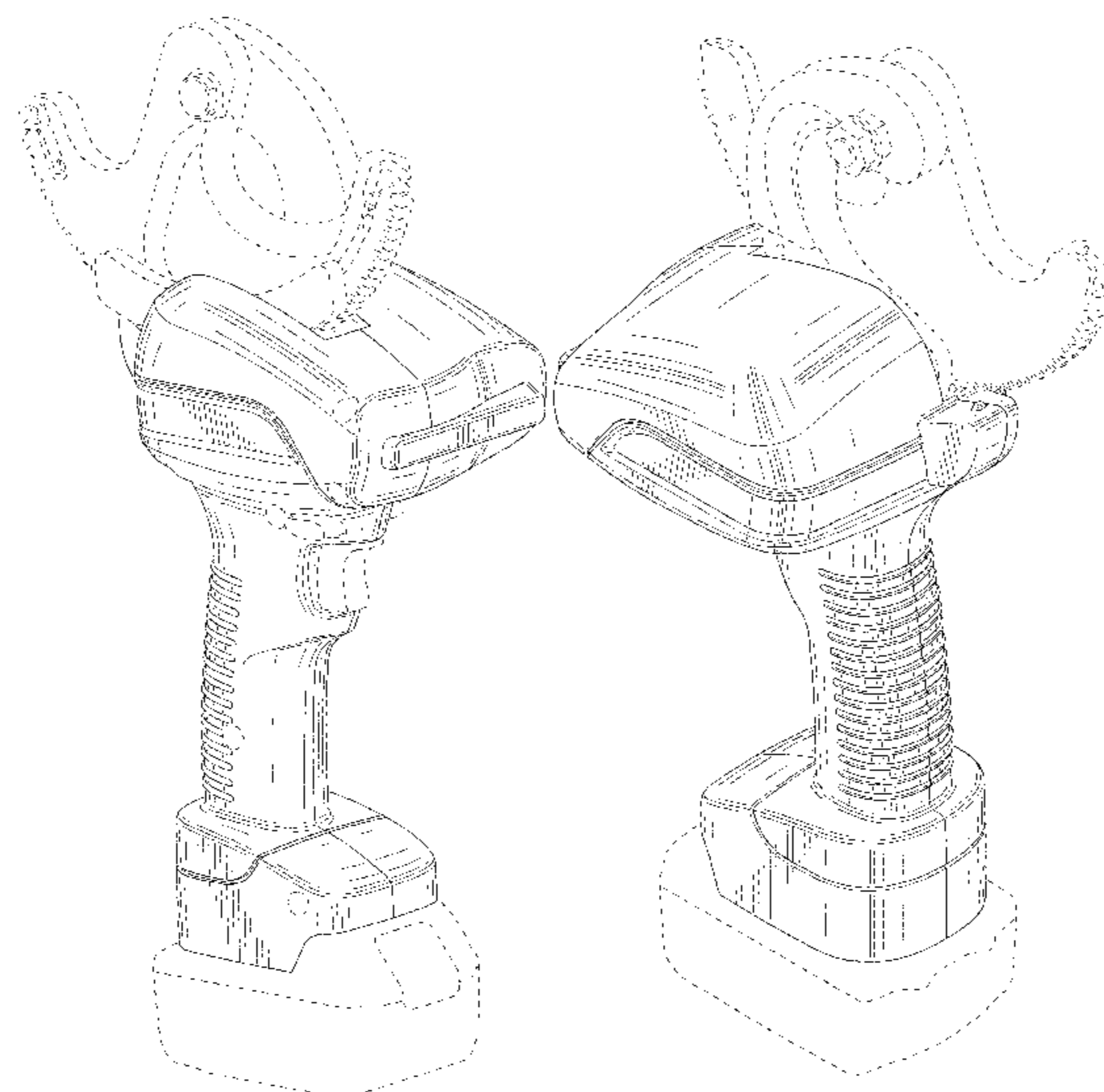
FIG. 3 is a front elevation view of the cutting tool housing
shown in FIG. 1; FIG. 4 is a rear elevation view of the
cutting tool housing shown in FIG. 1; FIG. 5 is a side
elevation view of the second side of the cutting tool housing
shown in FIG. 1;

FIG. 6 is a side elevation view of the first side of the cutting
tool housing shown in FIG. 1; and,

FIG. 7 is a top plan view of the cutting tool housing shown
in FIG. 1.

The broken lines showing a cutting tool are for the purpose
of showing environmental structure and form no part of the
claimed design.

1 Claim, 7 Drawing Sheets



(56)

References Cited

U.S. PATENT DOCUMENTS

2016/0268068 A1* 9/2016 Chiasson H01H 3/20
2017/0302044 A1* 10/2017 Lefavour B25F 5/02
2019/0160639 A1* 5/2019 Lefavour B25B 27/146
2020/0198116 A1* 6/2020 Skrobot B25B 27/146

* cited by examiner

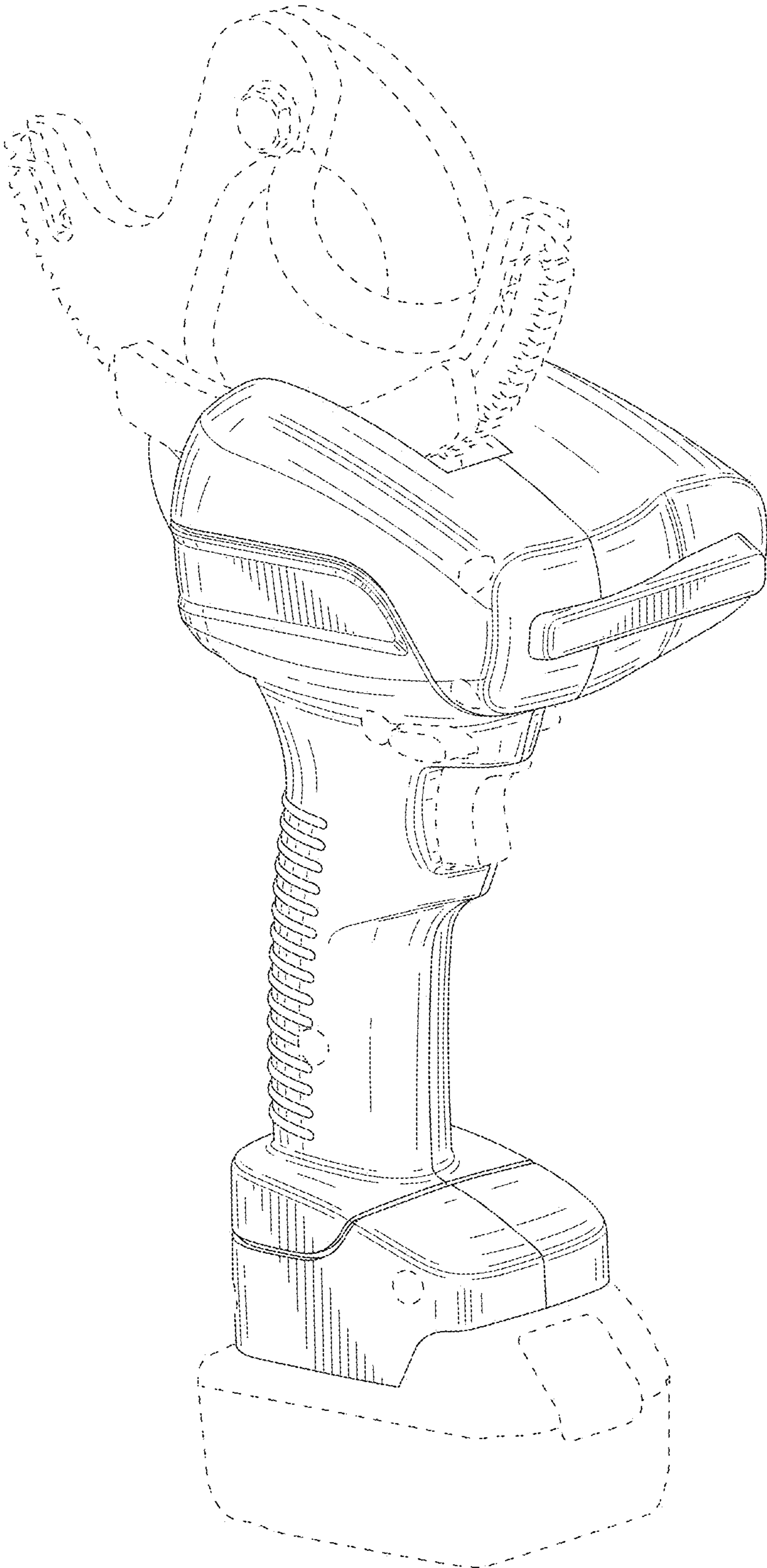


FIG. 1

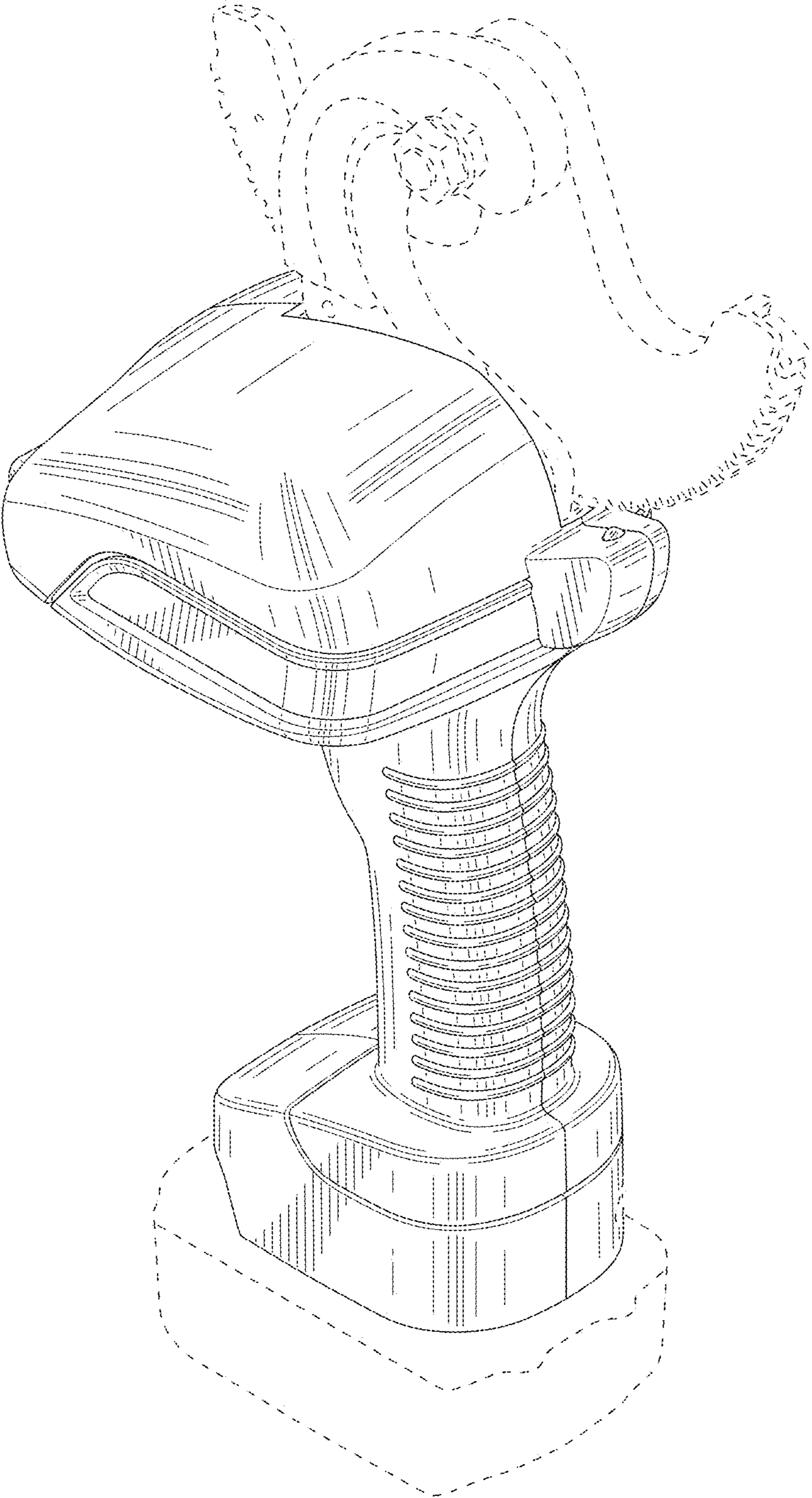


FIG. 2

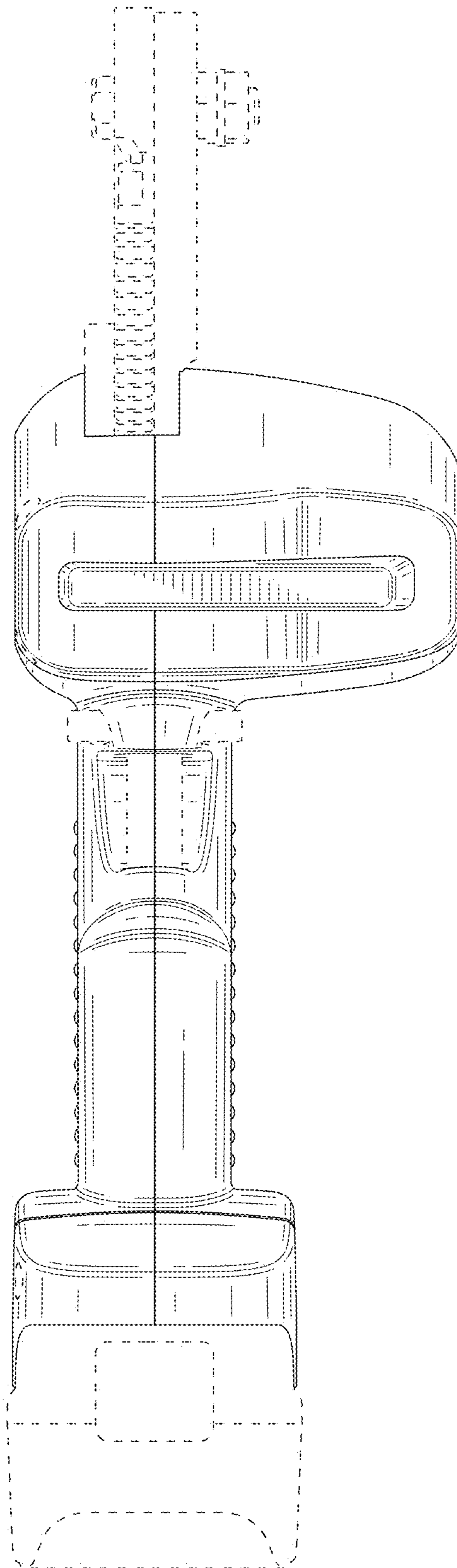


FIG. 3

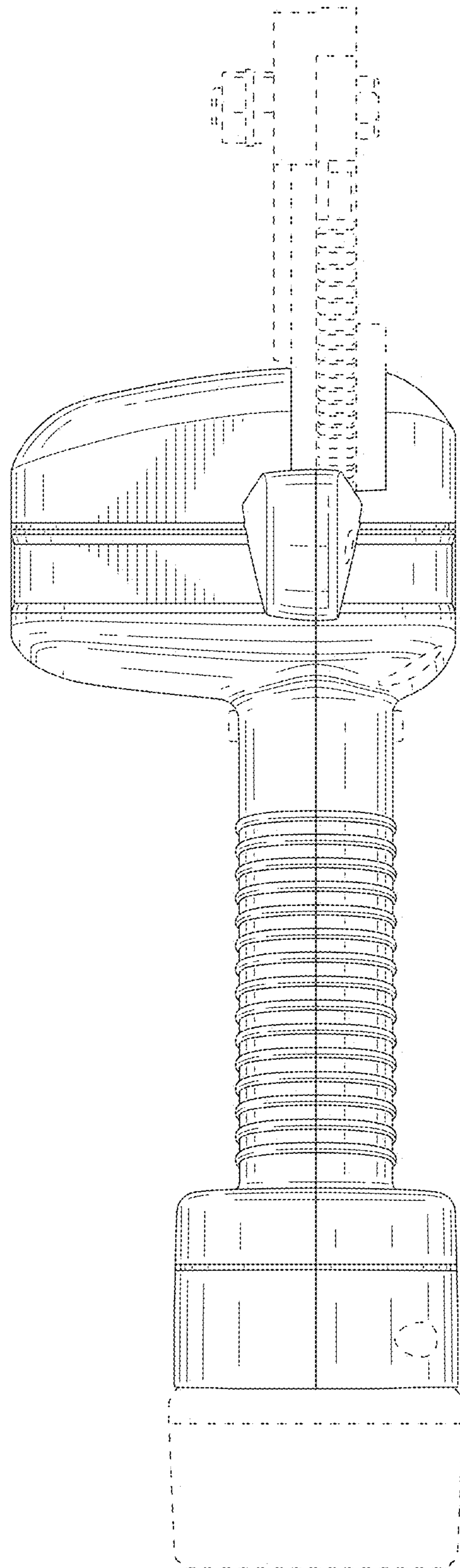


FIG. 4

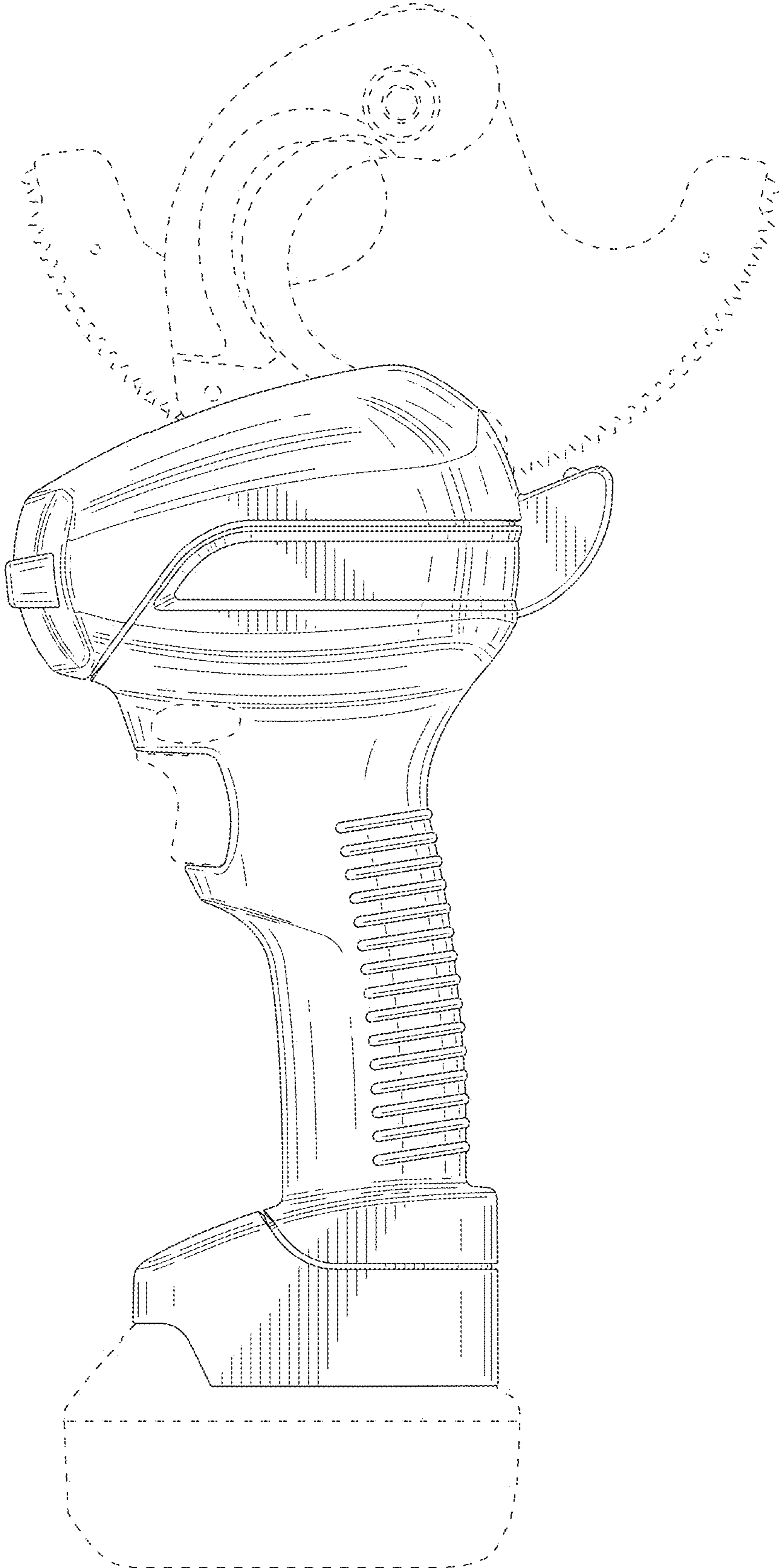


FIG. 5

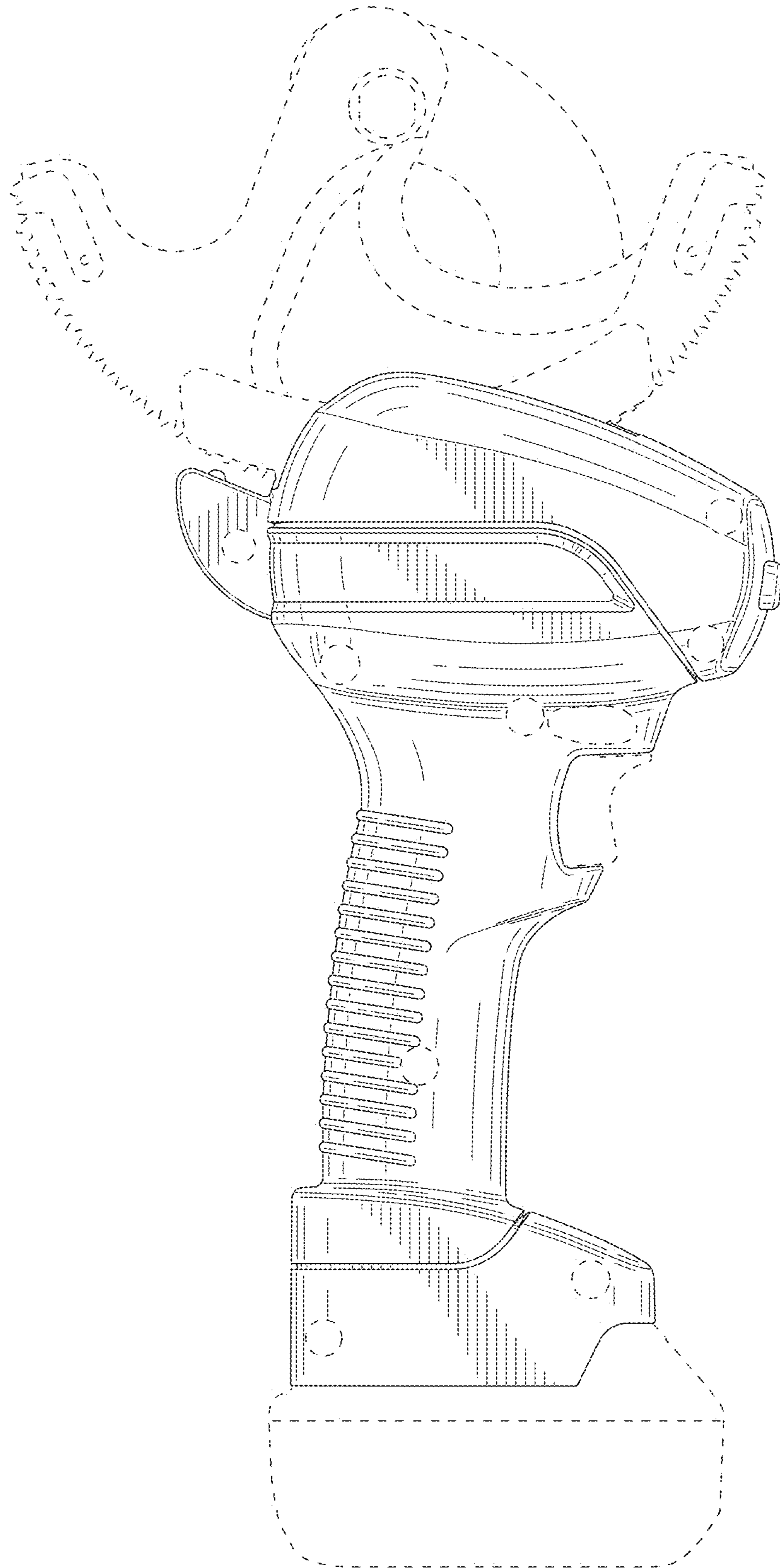


FIG. 6

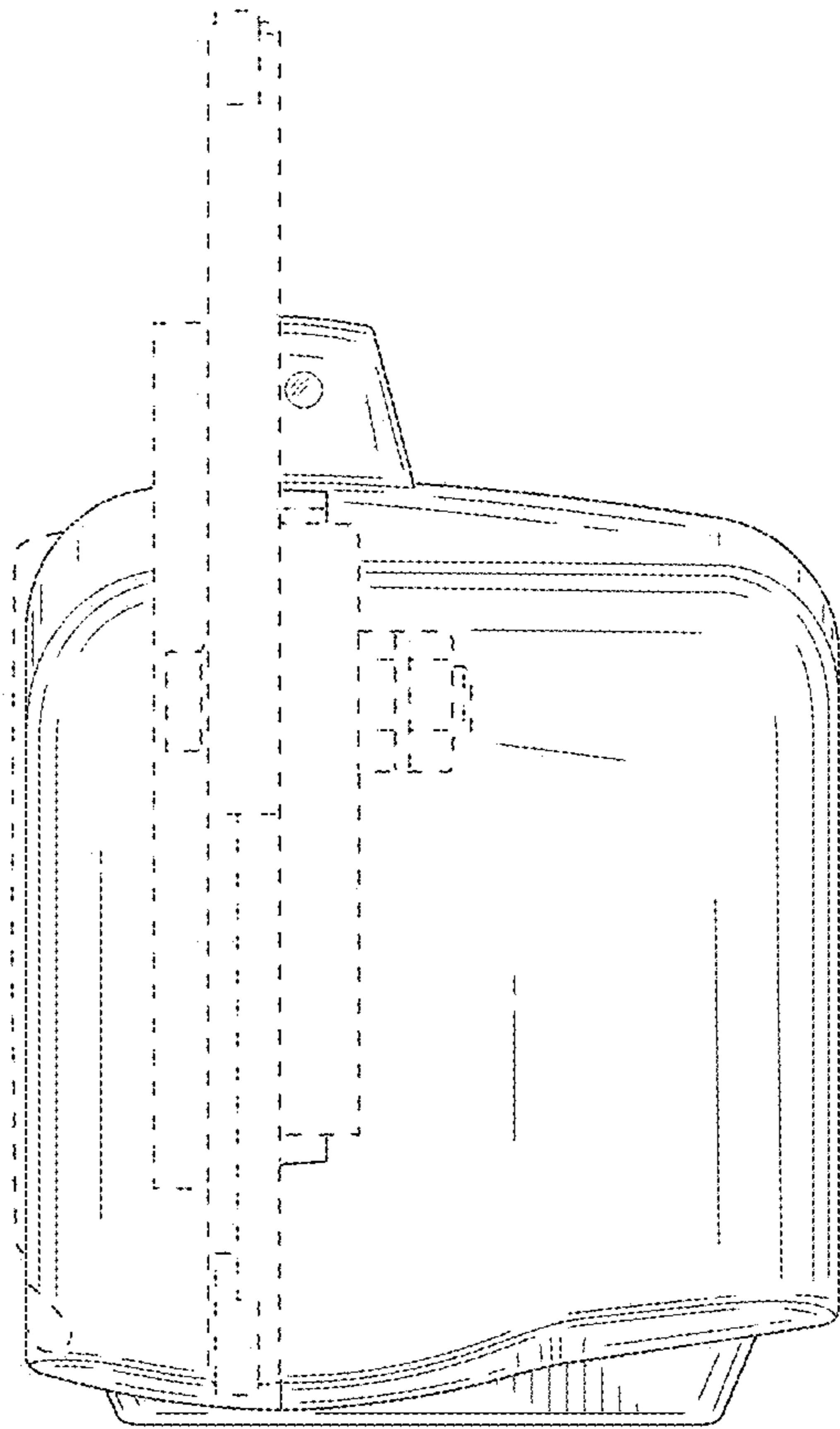


FIG. 7