



US00D907977S

(12) **United States Design Patent**
Niles et al.

(10) **Patent No.:** **US D907,977 S**

(45) **Date of Patent:** **** Jan. 19, 2021**

(54) **TAB OPENER**

(71) Applicants: **Ruth Niles**, Newville, PA (US); **Paul Holmes**, Moscow Mills, MT (US)

(72) Inventors: **Ruth Niles**, Newville, PA (US); **Paul Holmes**, Moscow Mills, MT (US)

(**) Term: **15 Years**

(21) Appl. No.: **29/695,142**

(22) Filed: **Jun. 17, 2019**

(51) **LOC (13) Cl.** **07-99**

(52) **U.S. Cl.**
USPC **D8/40**

(58) **Field of Classification Search**
USPC D8/18, 33-43, 88, 89
CPC B67B 7/00; B67B 7/02; B67B 7/12; B67B 7/14; B67B 7/16; B67B 7/162; B67B 7/18; B67B 7/20; B67B 7/40; B67B 7/44
See application file for complete search history.

(56) **References Cited**

U.S. PATENT DOCUMENTS

1,341,163	A *	5/1920	Beste	B67B 7/16 7/151
1,954,422	A *	4/1934	McIntyre	B67B 7/18 81/3.4
D140,699	S *	3/1945	Rahn	D27/163
2,754,821	A *	7/1956	Burbig	A61H 35/02 604/298
4,530,260	A *	7/1985	Holka	B67B 7/403 81/3.55
D284,553	S *	7/1986	Collister	D9/435
D388,660	S *	1/1998	Grundl	D7/507

D389,640	S *	1/1998	MacDonald	D3/207
6,032,339	A *	3/2000	D'Addario	A45C 13/1092 24/265 BC
6,179,138	B1 *	1/2001	Puleston	B65D 39/16 215/226
7,888,572	B2 *	2/2011	Rosenberg	G10G 5/005 84/327
D654,772	S *	2/2012	Freeman	D8/89
D656,376	S *	3/2012	Blazevic	D8/34
D763,685	S *	8/2016	Arriaga	D9/436
D795,063	S *	8/2017	Arriaga	D9/436
D804,264	S *	12/2017	Macan	D8/40
D859,948	S *	9/2019	Niles	D8/33
2008/0098853	A1 *	5/2008	Choate	B67B 7/16 81/3.09

* cited by examiner

Primary Examiner — Elizabeth A. Albert

(74) *Attorney, Agent, or Firm* — Steve O'Donnell

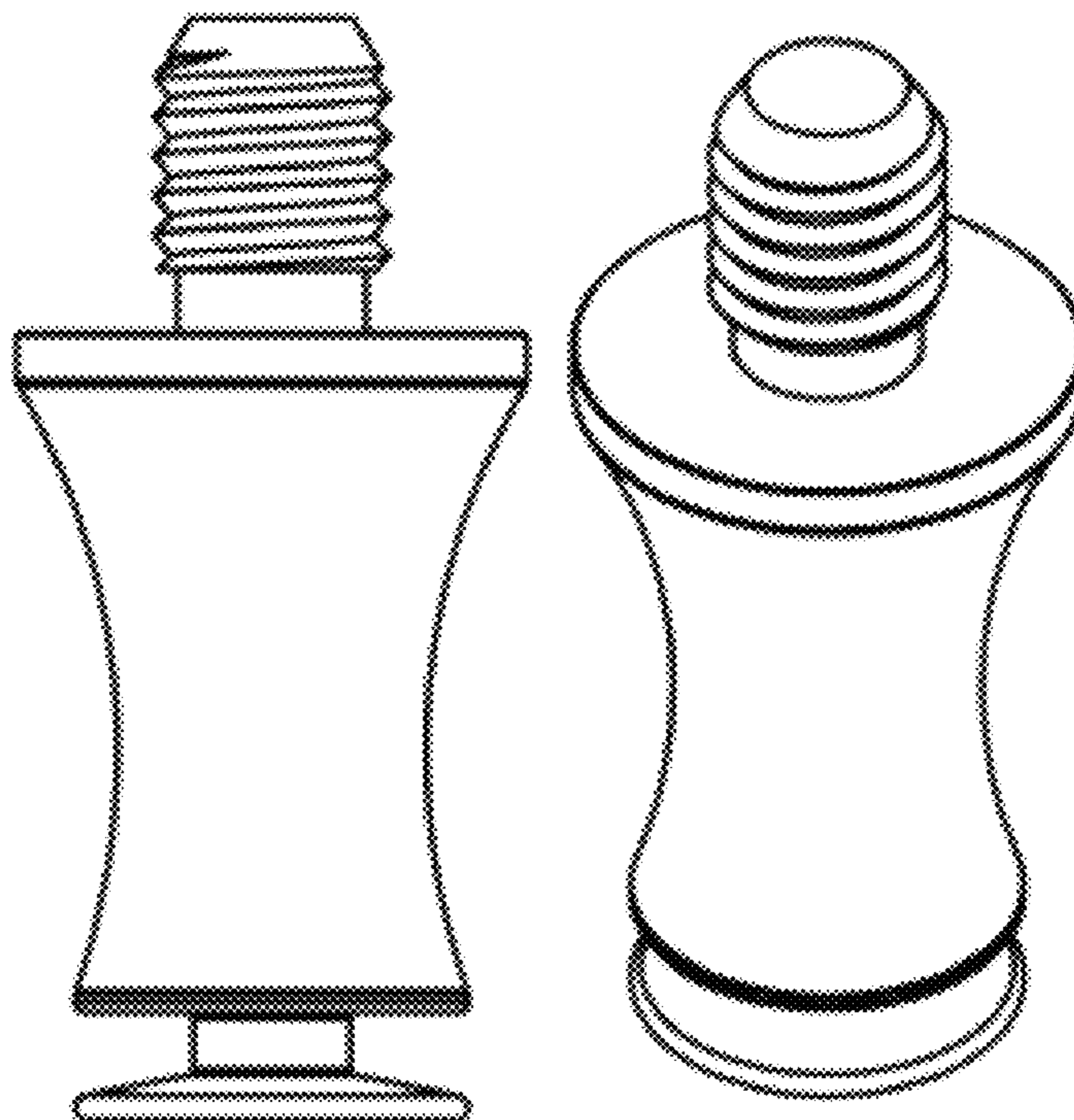
(57) **CLAIM**

We claim the ornamental design for a tab opener, as shown and described.

DESCRIPTION

FIG. 1 is a top plan view of the tab opener showing our new design;
FIG. 2 is a first side elevation view thereof;
FIG. 3 is a second side elevation view thereof;
FIG. 4 is a third side elevation view thereof;
FIG. 5 is a bottom plan view thereof;
FIG. 6 is a fourth side elevation view thereof;
FIG. 7 is a perspective view thereof; and,
FIG. 8 is a perspective view thereof.

1 Claim, 4 Drawing Sheets



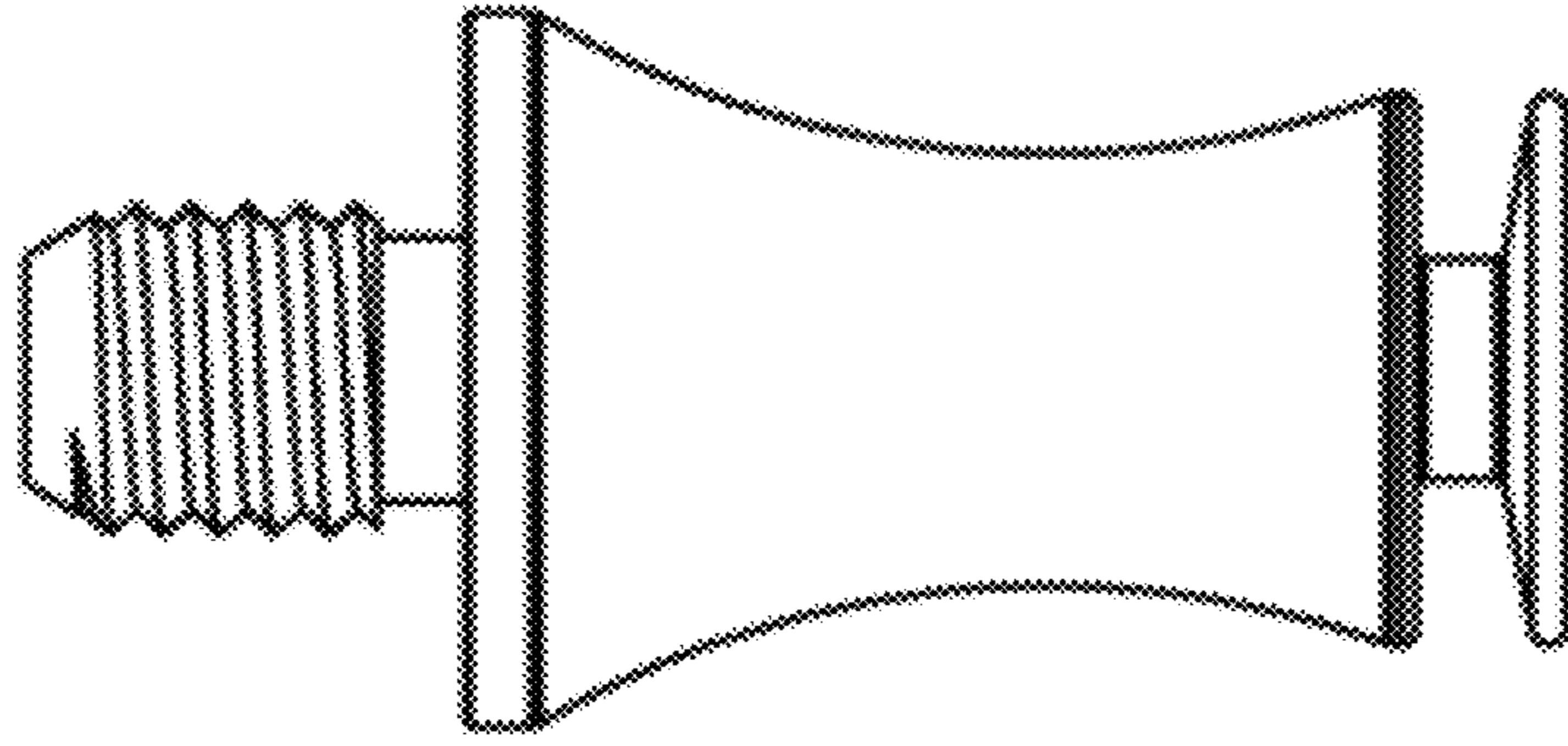


FIG. 2

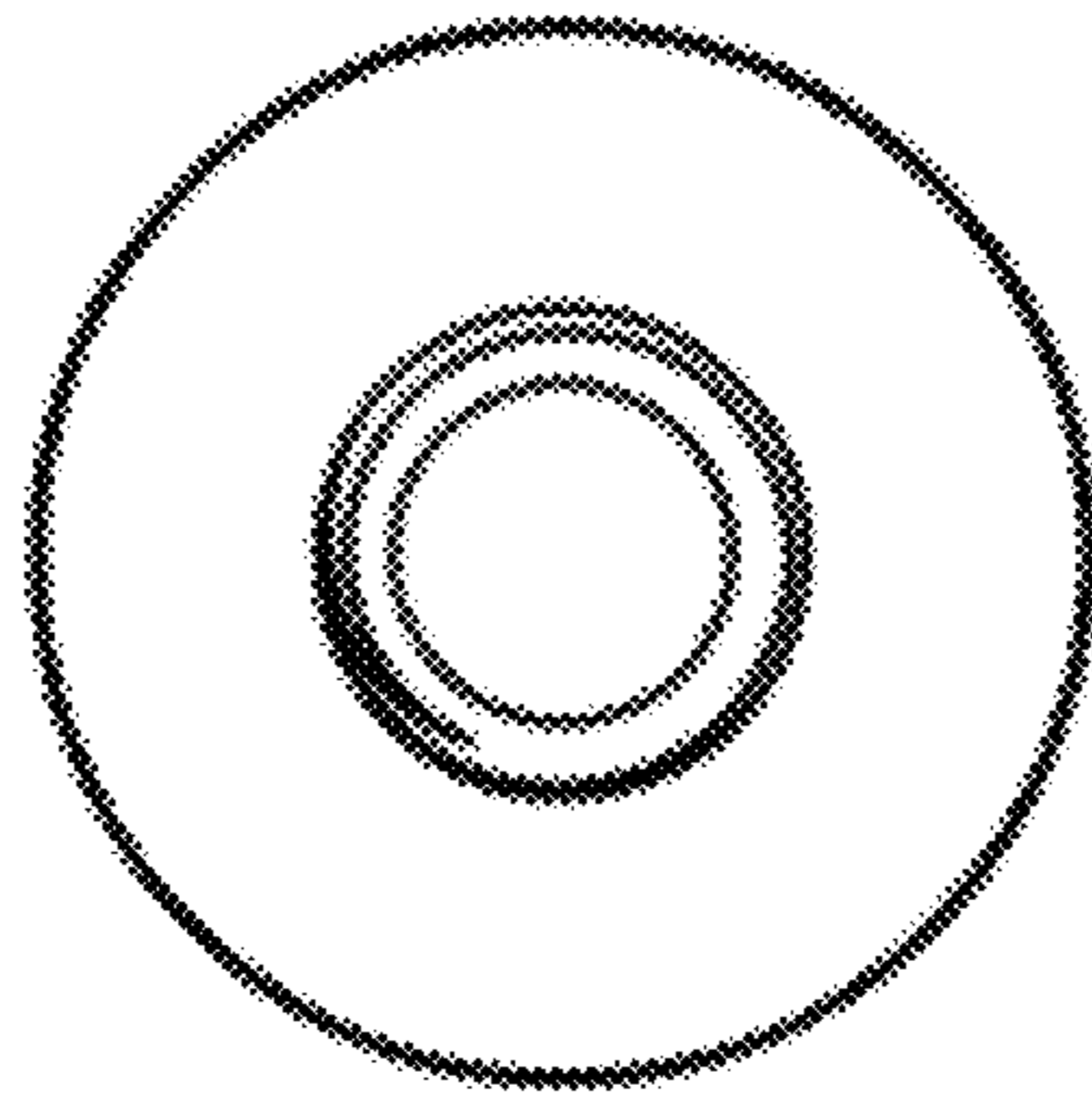


FIG. 1

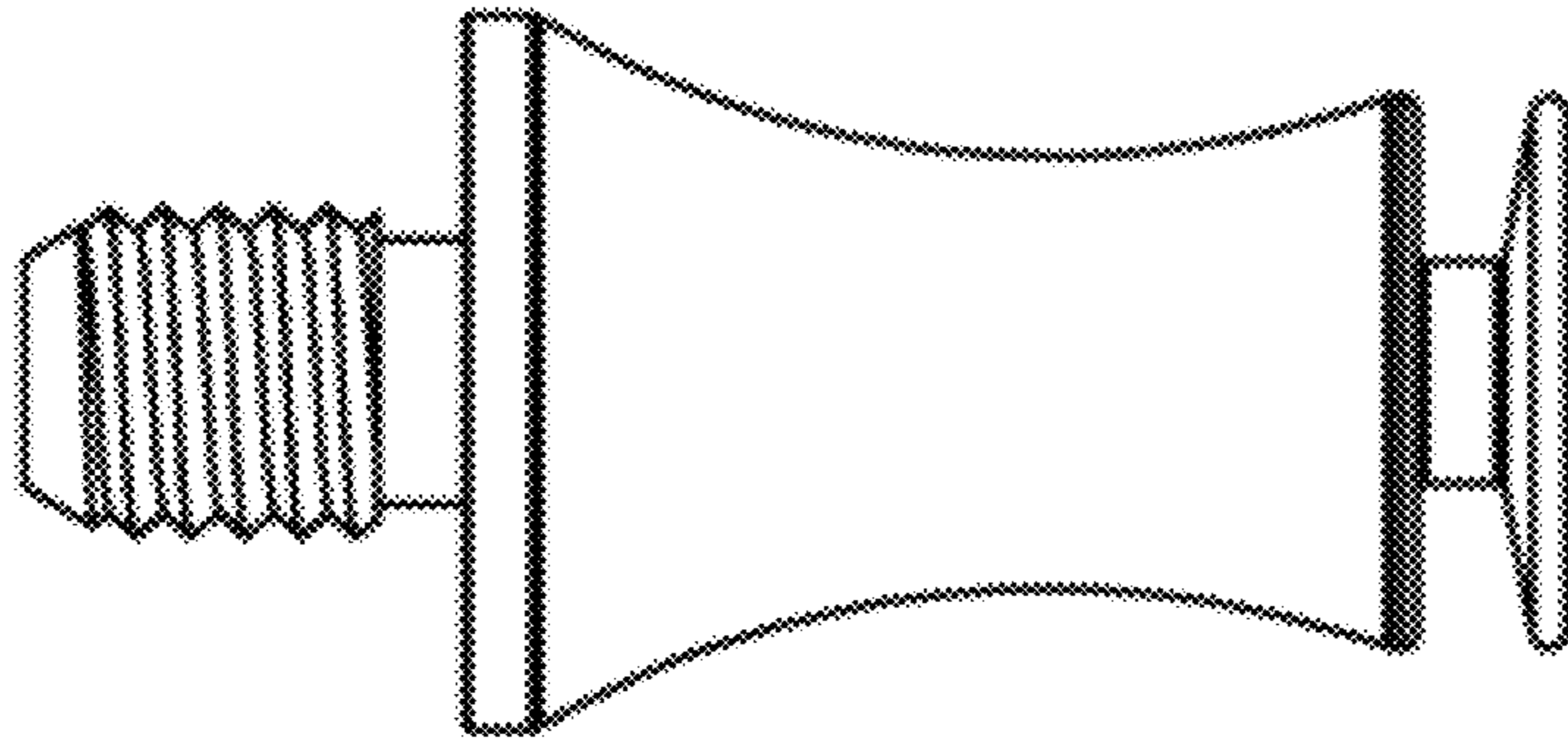


FIG. 3

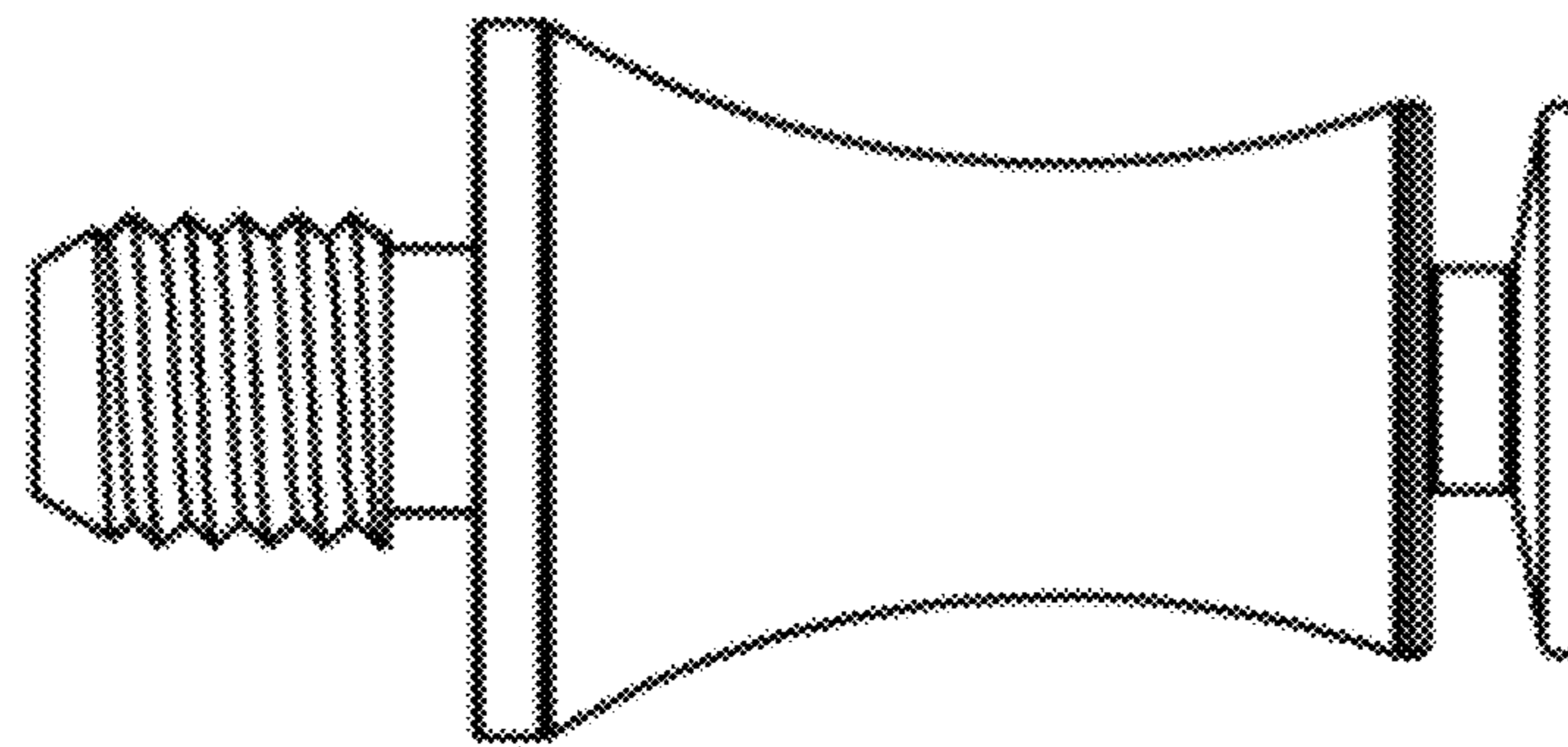


FIG. 4

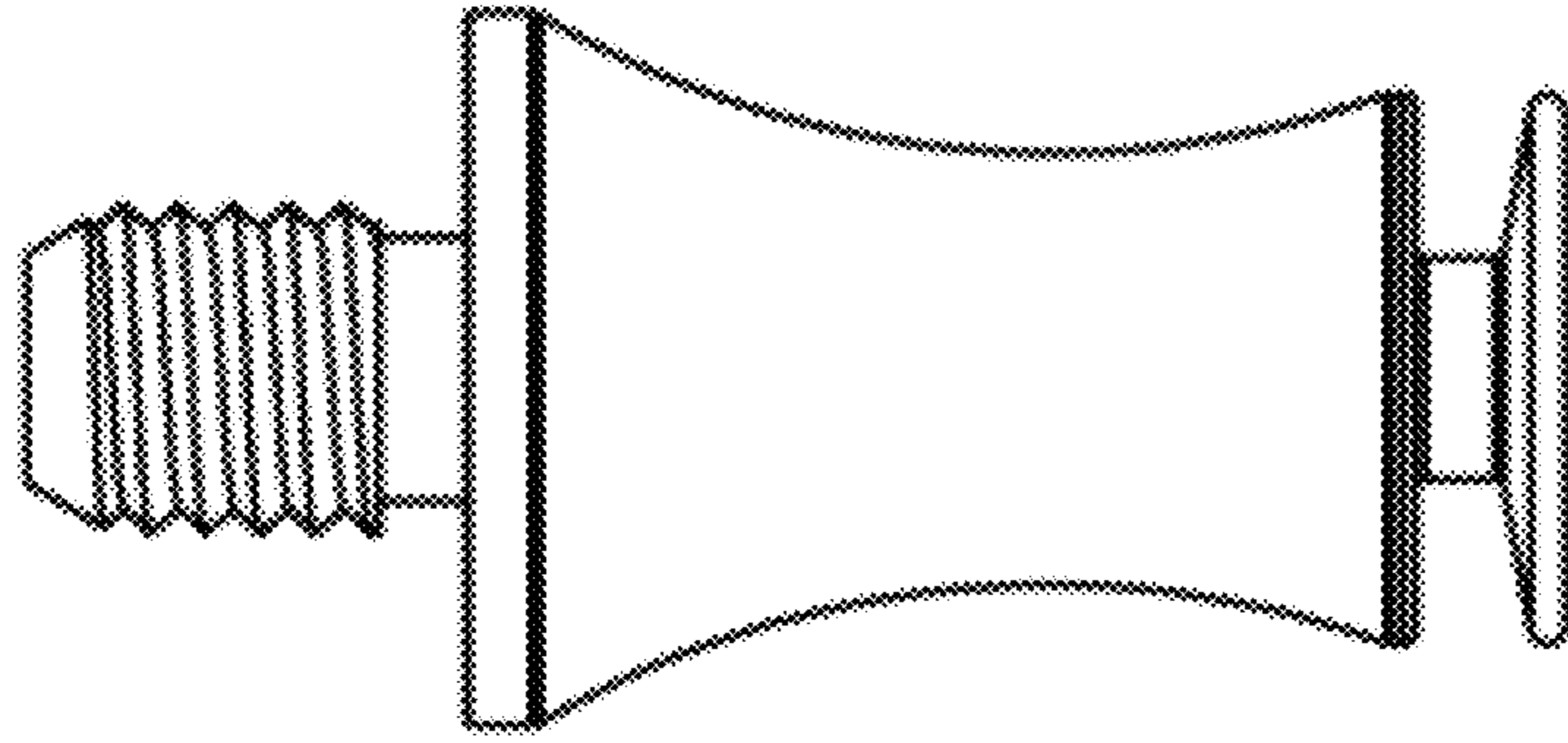


FIG. 6

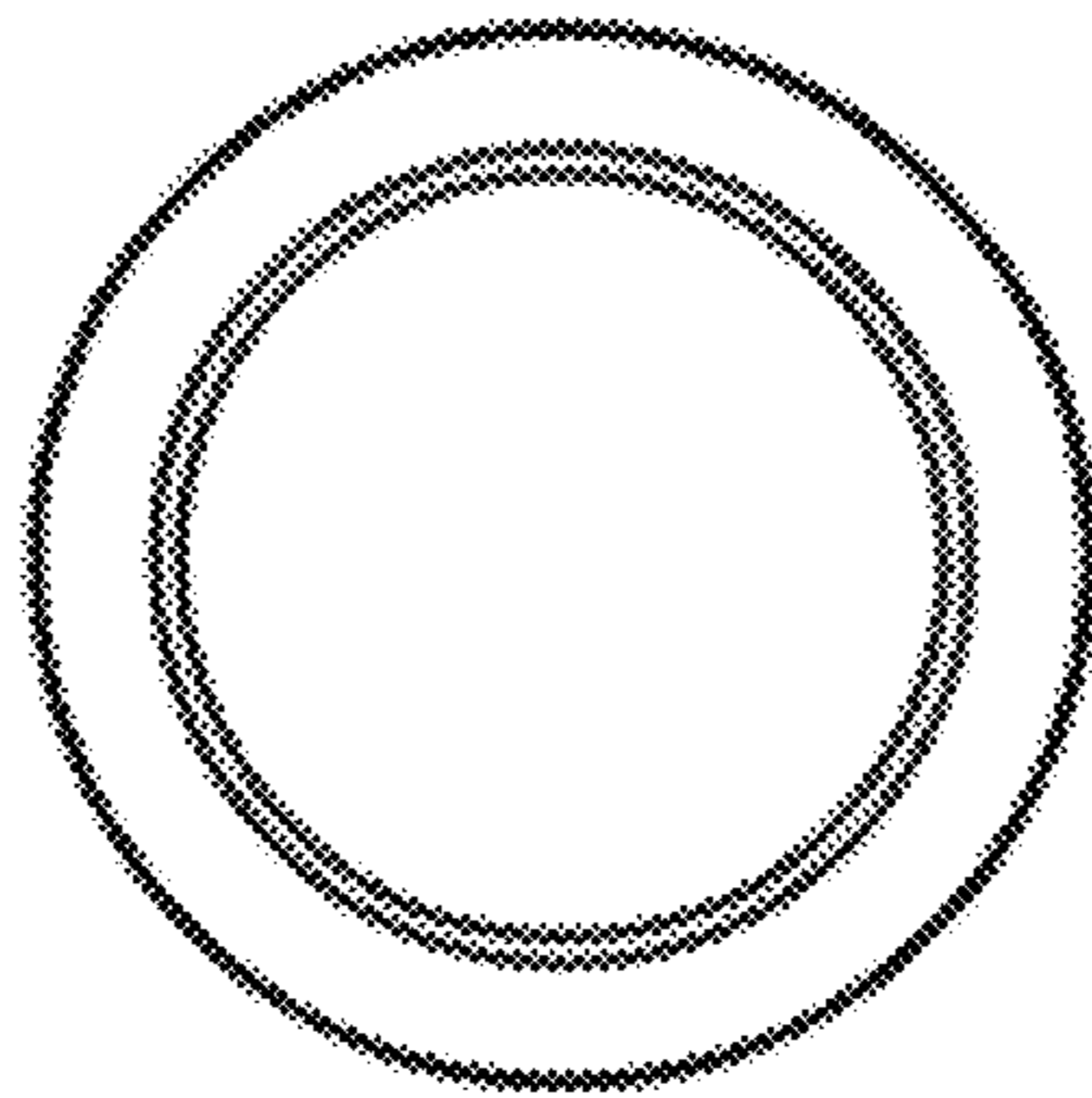


FIG. 5

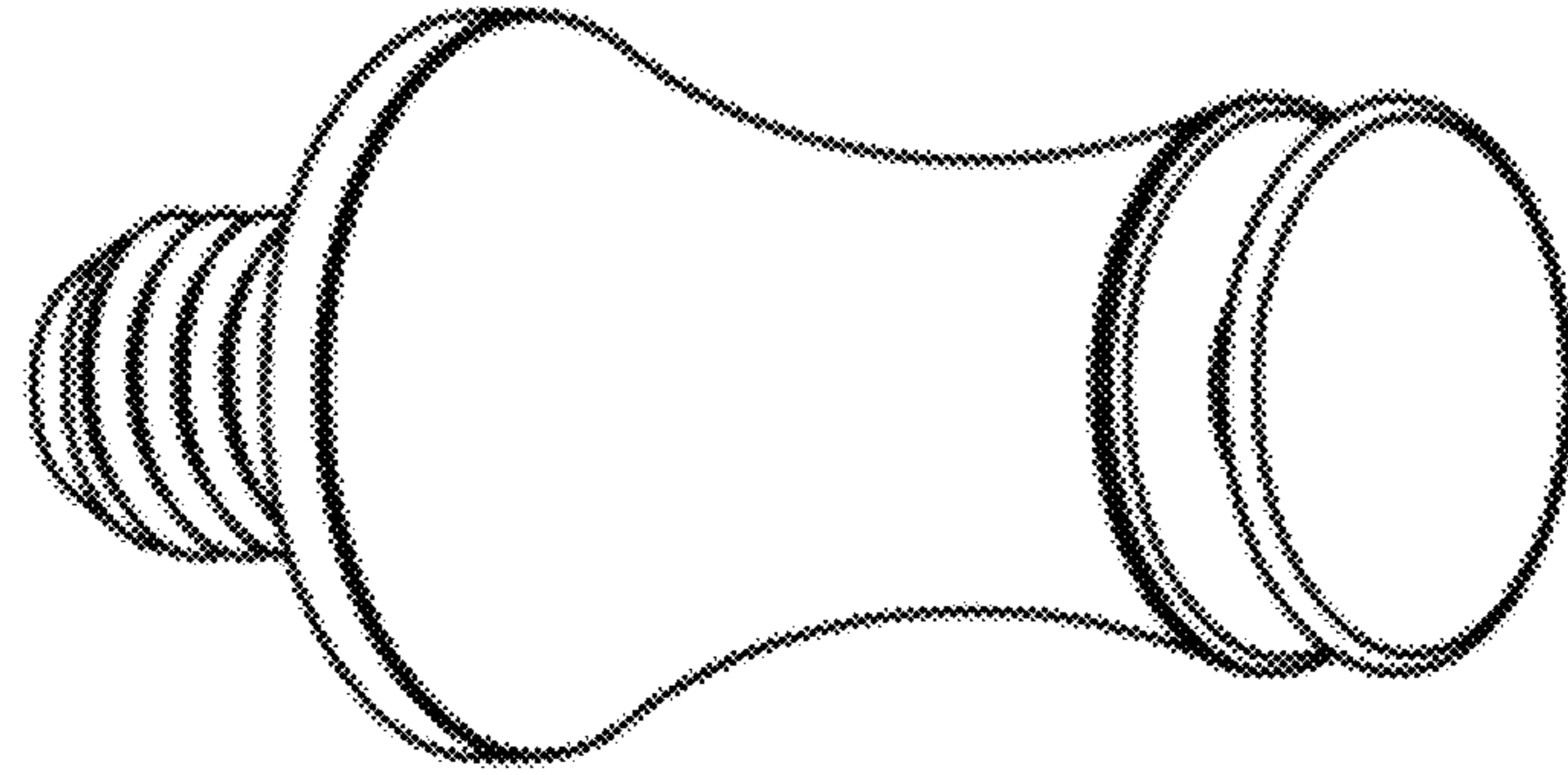


FIG. 7

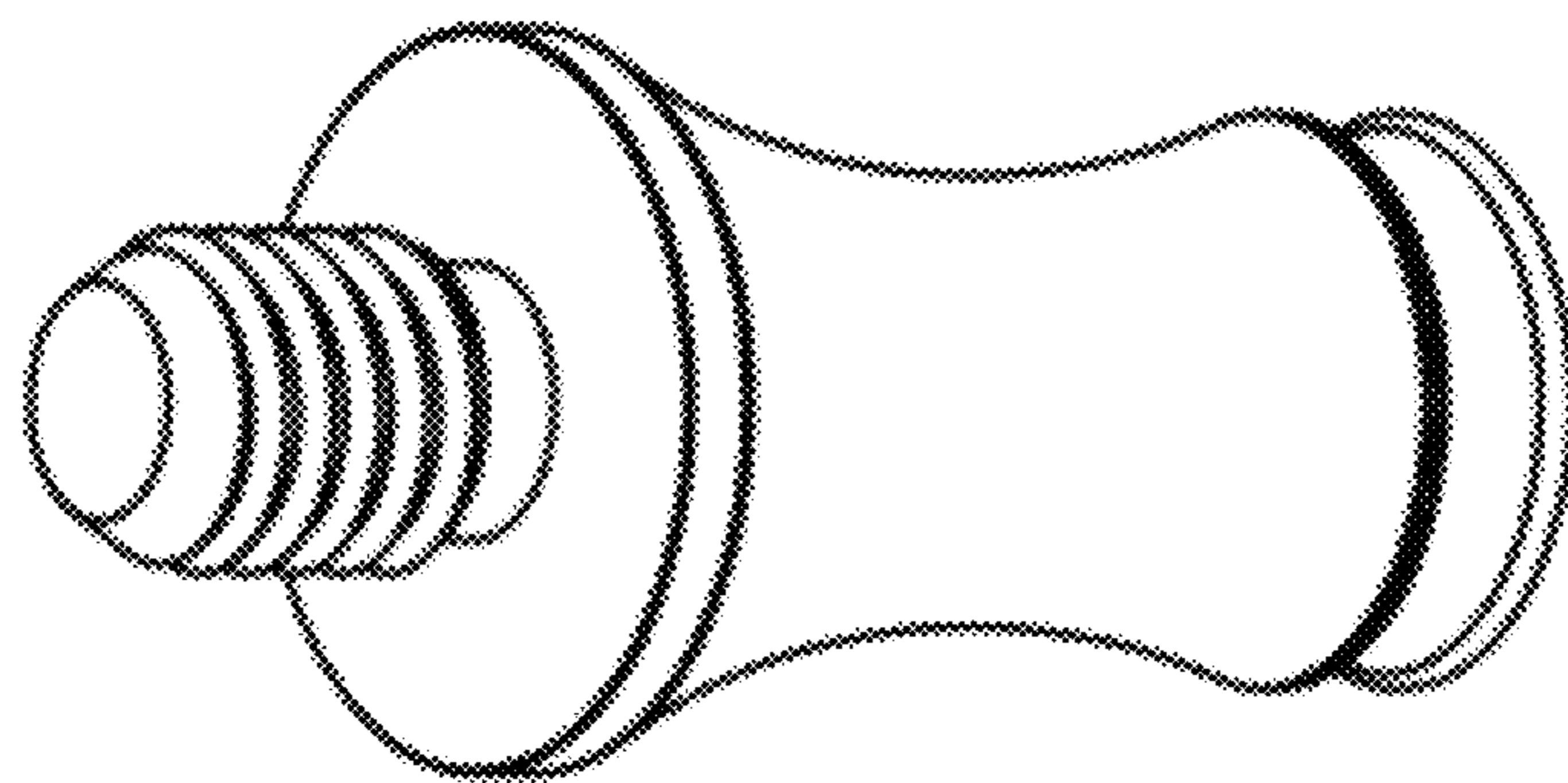


FIG. 8